



Time Sync Scenarios | May 2022

P802.DP Time Sync

Example Scenarios for workout session

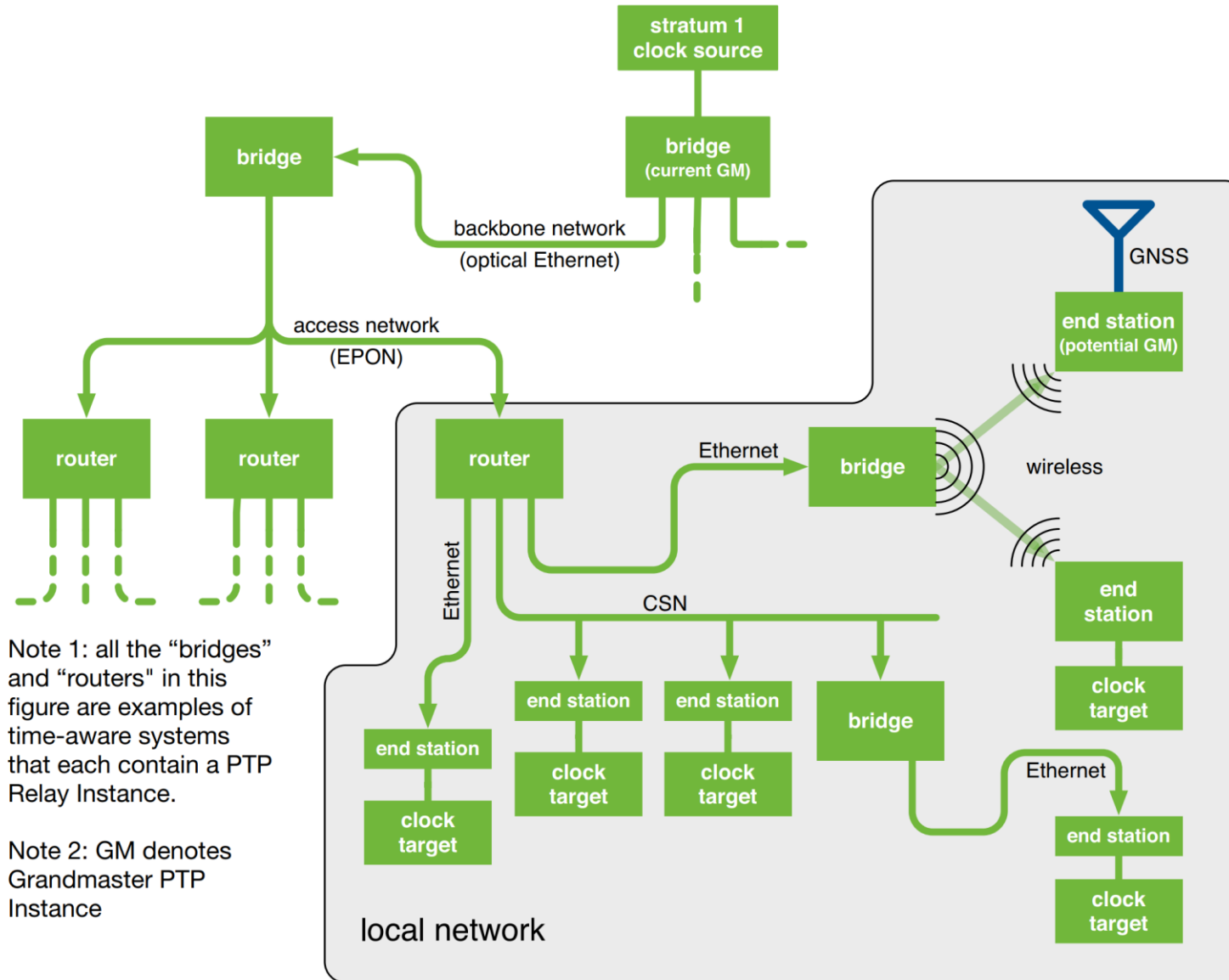
Abdul Jabbar
GE Research

Objective



- **Review 802.1AS based use cases/scenarios for aerospace**

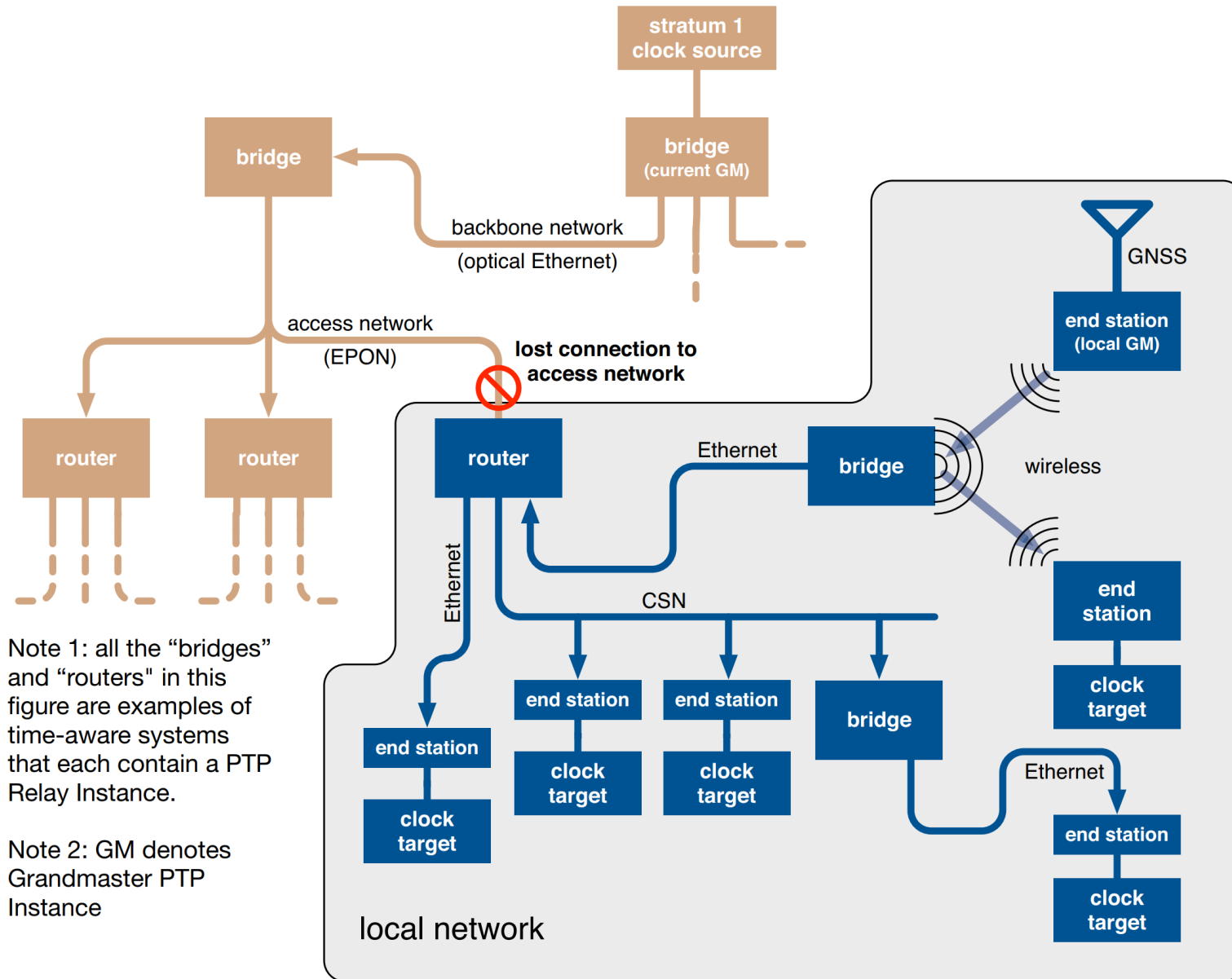
Scenario 1



Note 1: all the “bridges” and “routers” in this figure are examples of time-aware systems that each contain a PTP Relay Instance.

Note 2: GM denotes Grandmaster PTP Instance

Scenario 2



Note 1: all the "bridges" and "routers" in this figure are examples of time-aware systems that each contain a PTP Relay Instance.

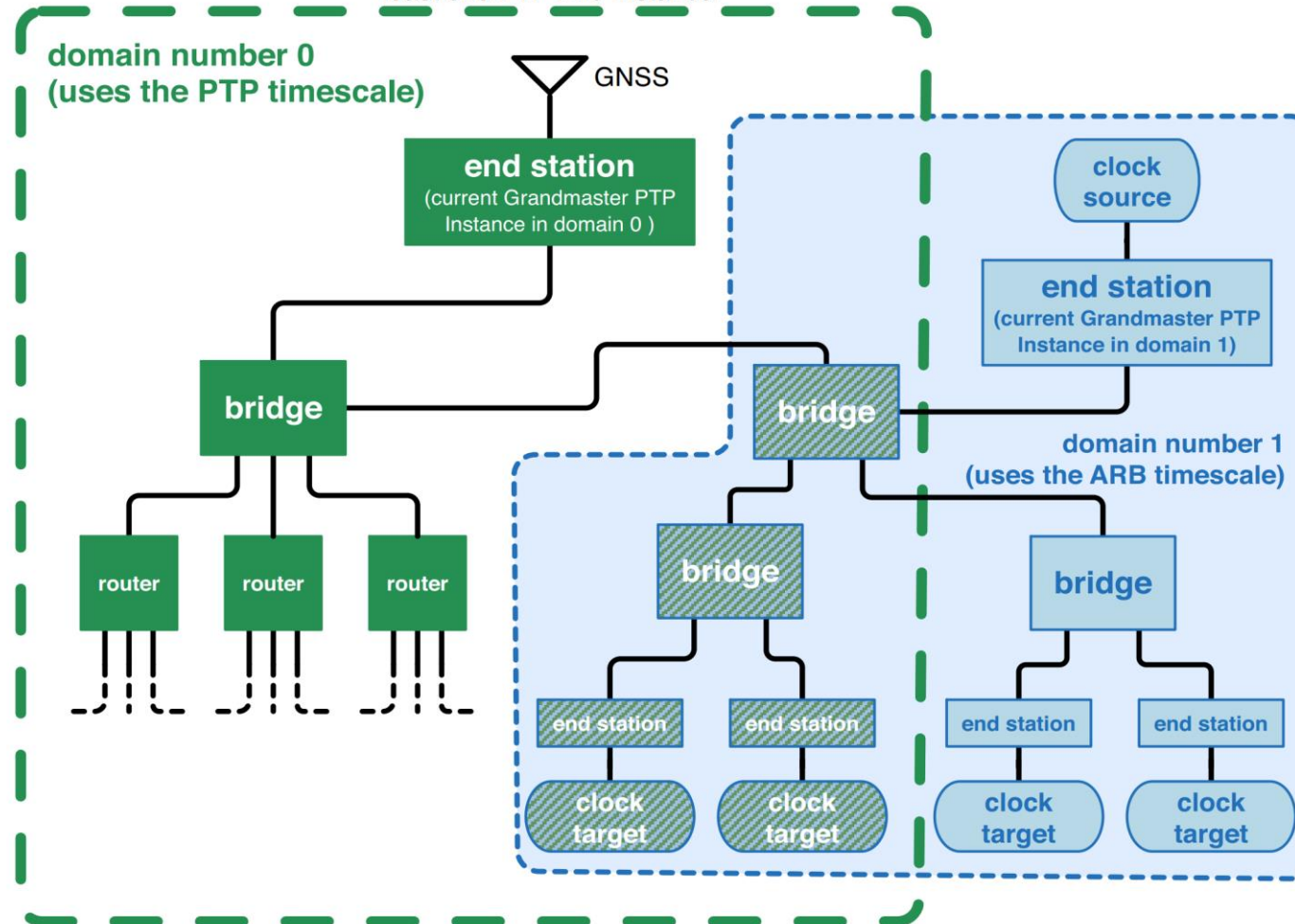
Note 2: GM denotes Grandmaster PTP Instance

Scenario 3

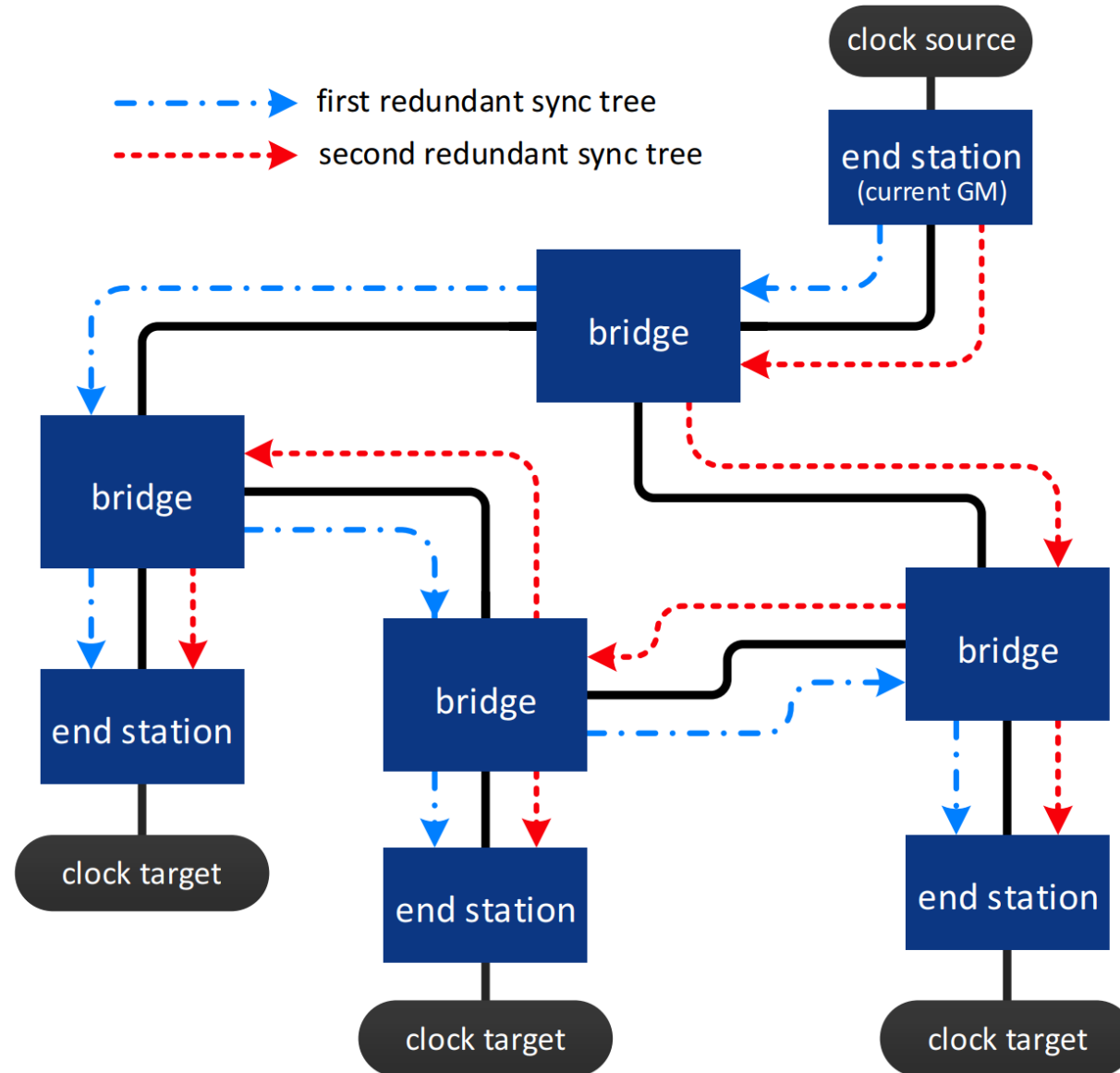


Note: all the “bridges” and “routers” in this figure are examples of time-aware systems that contain at least one PTP Relay Instance, and the end stations are time-aware systems that contain at least one PTP End Instance.

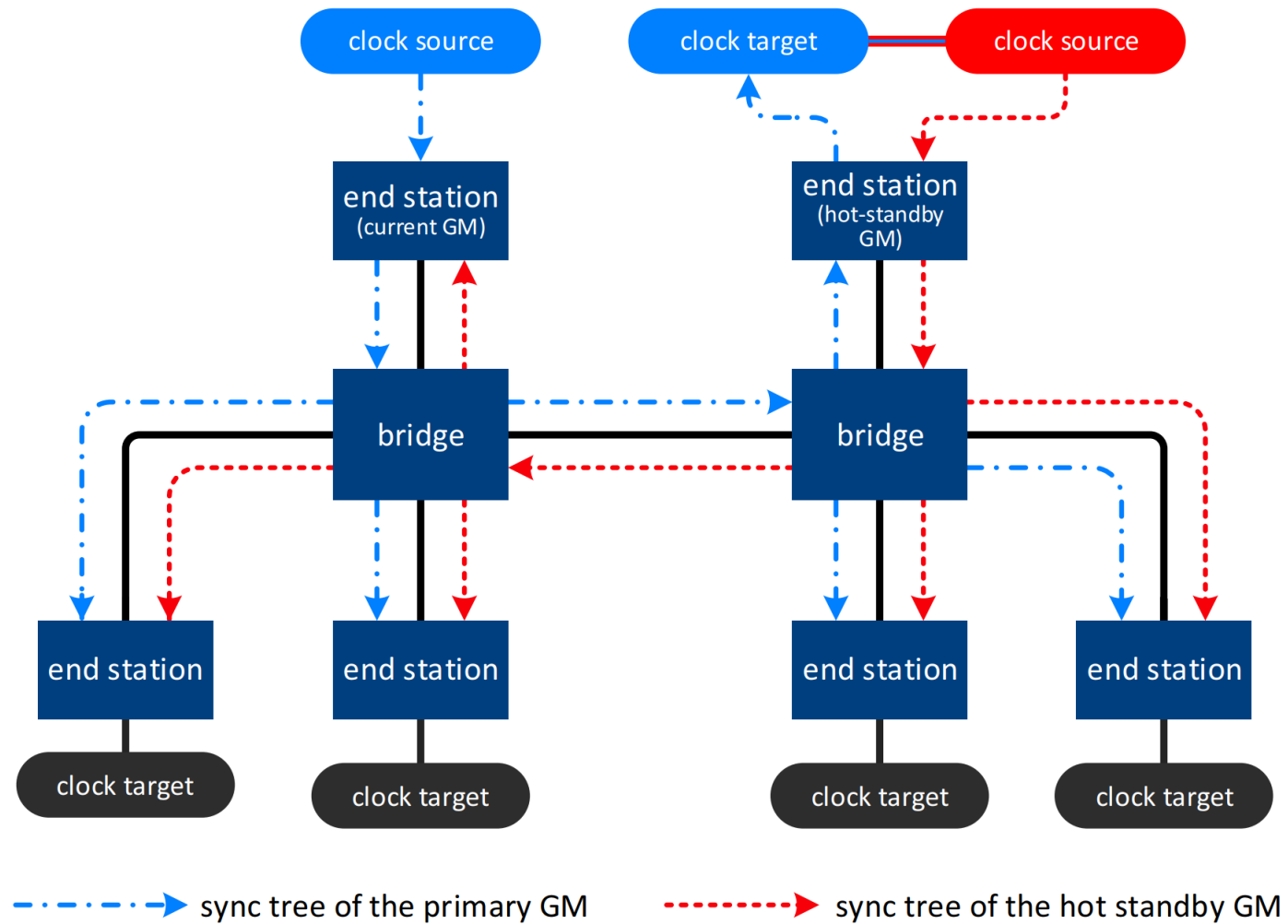
-  domain 0 only
-  domain 1 only
-  both domain 0 and 1



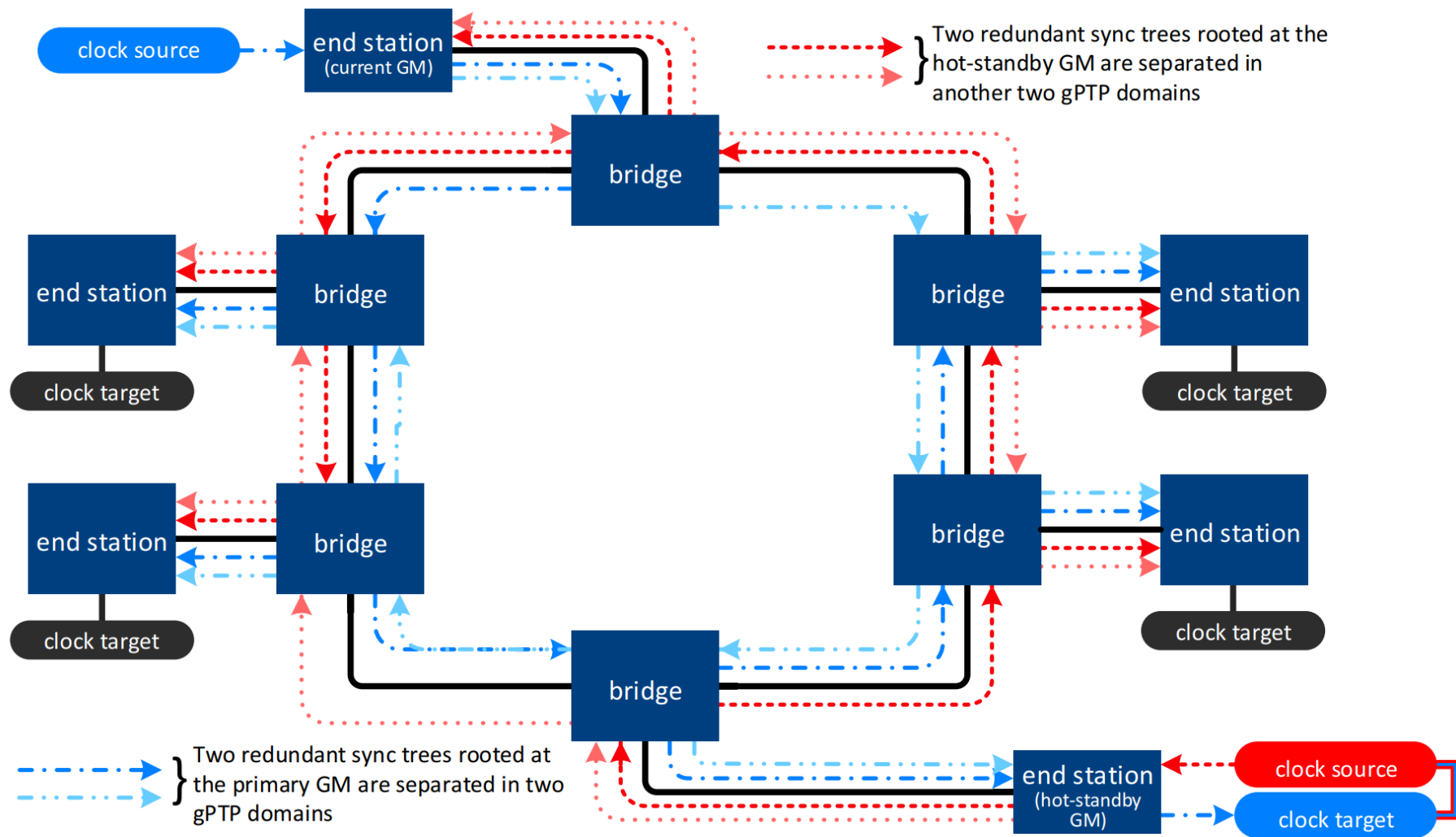
Scenario 4



Scenario 5



Scenario 6



Scenario 7

