

IEC/IEEE 60802

proposal for a revised D1.3 subclause
6.7.3.5 IEEE 802.1AS (PTP) management model

Version V01 – Feb 2022

Josef Dorr (Siemens AG)

Motivation: 60802-D1-3 comment #878

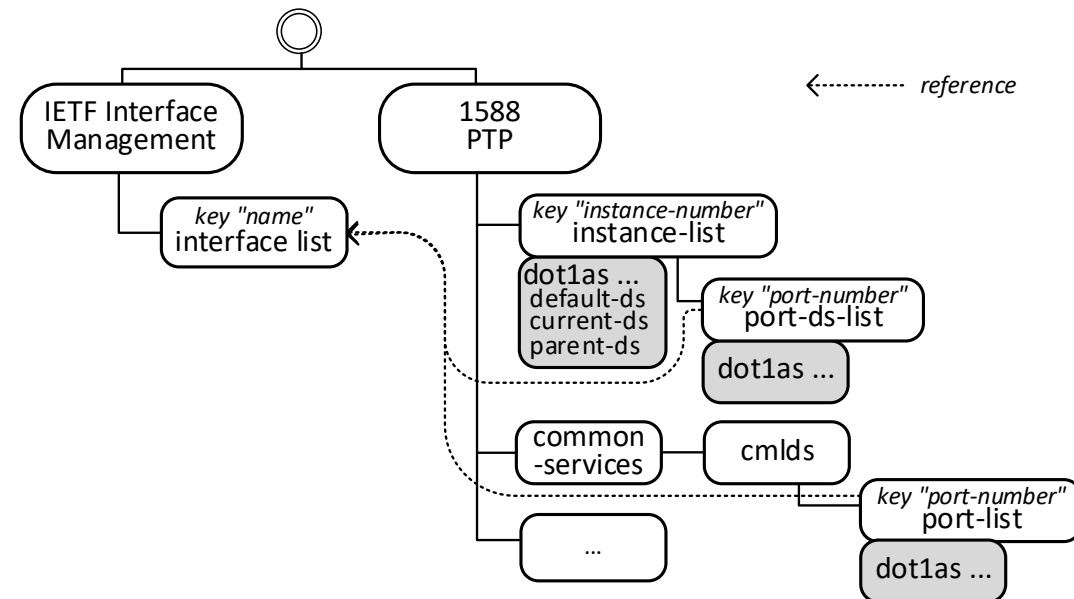
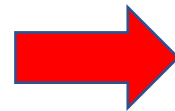
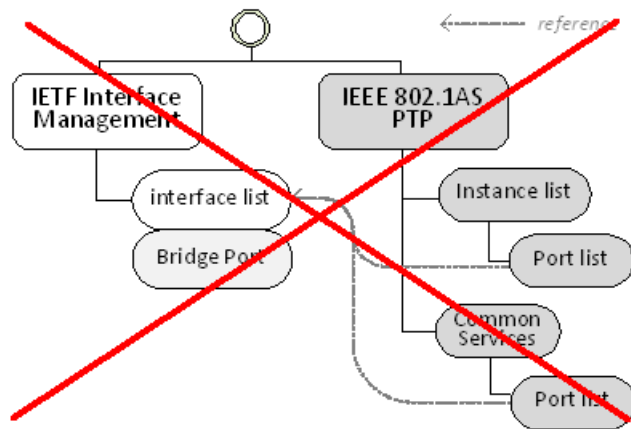
See (<https://www.ieee802.org/1/files/private/60802-drafts/d1/60802-d1-3-pdis-v30.pdf>)

<i>Cl</i> 6	<i>SC</i> 6.7.3.5	<i>P74</i>	<i>L2783</i>	# 828
Kiessling, Marcel		Beckhoff Automation		
<i>Comment Type</i>	ER	<i>Comment Status</i>	D	
According to this text, the augmented YANG data model of IEEE Std 1588 from P802.1ASdn will be used.				
<i>SuggestedRemedy</i>				
Remove the unnecessary normative reference to the Draft of the 1588e Amendment, as it will not be used in its original version.				
<i>Proposed Response</i>	<i>Response Status</i> W			
PROPOSED REJECT. Editor does not agree that the reference is unnecessary. The reference to .1ASdn indicates that 1588e is the baseline specification.				

Proposal: Update Figure 21

Generic IEEE 802.1AS (PTP) YANG model

- UML Figure 21 in 6.7.3.5 IEEE 802.1AS (PTP) management model should be updated to show the augmentation of the 1588 YANG Model by 802.1ASdn



Proposal: Update introductory text to Figure 21

6.7.3.5 IEEE 802.1AS (PTP) management model

The IEEE 802.1AS management model is basically defined by the 1588 PTP YANG model. The IEEE 802.1AS YANG module augments the 1588 PTP YANG model with specific IEEE 802.1AS management data objects.

Figure 21 shows the hierarchical structure of the IEEE ~~802.1AS~~1588 PTP YANG model as specified in IEEE P1588e~~802.1ASdn~~ with the augmentation defined in IEEE P802.1ASdn. ~~augments the IEEE Std 1588 YANG data model, which is specified in the IEEE P1588e project.~~

...

Thank You