

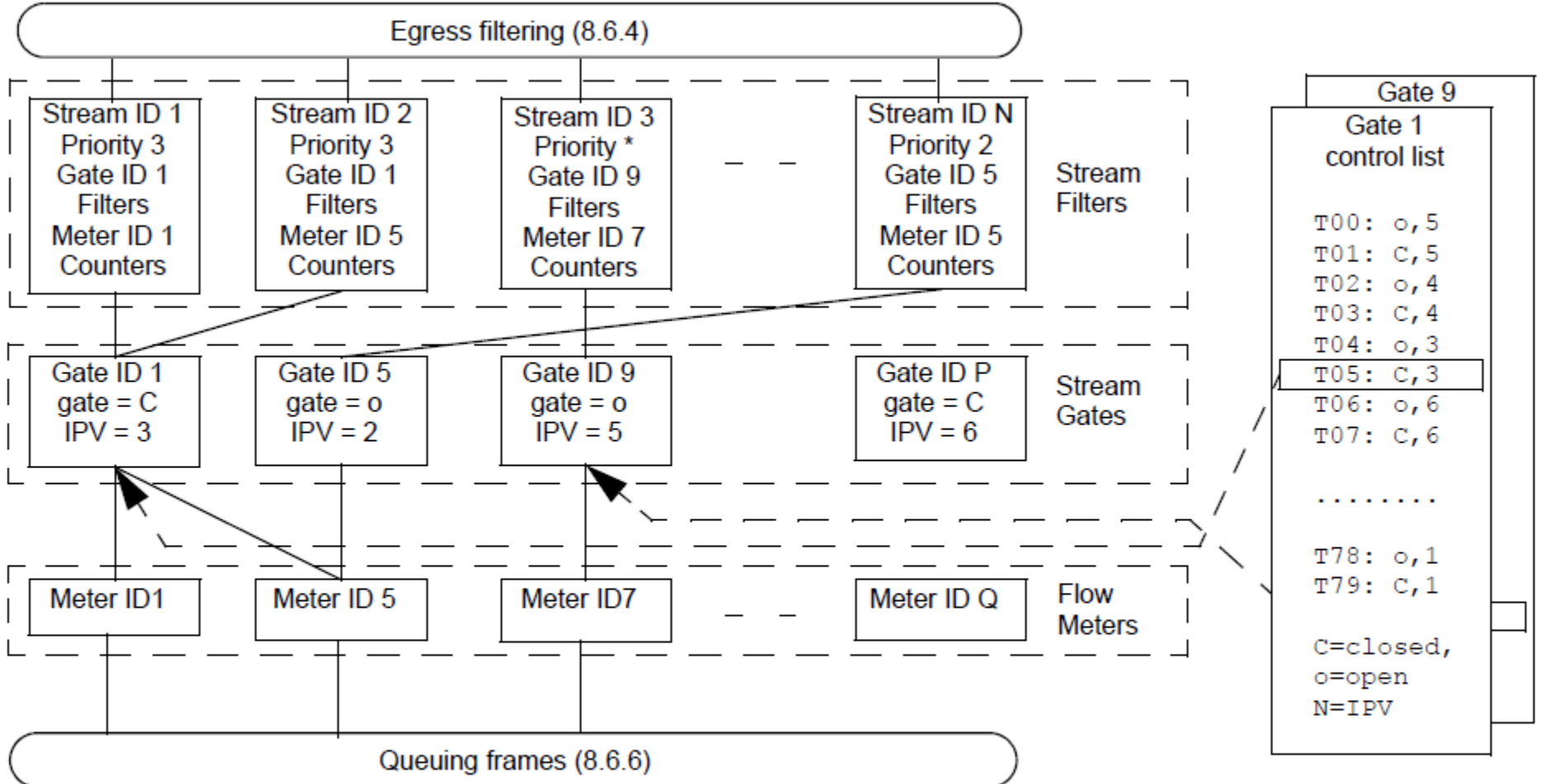
Figures for IEEE 802.1 Maintenance item 251

Johannes Specht, johannes.specht.standards@gmail.com,
University of Duisburg-Essen

Introduction

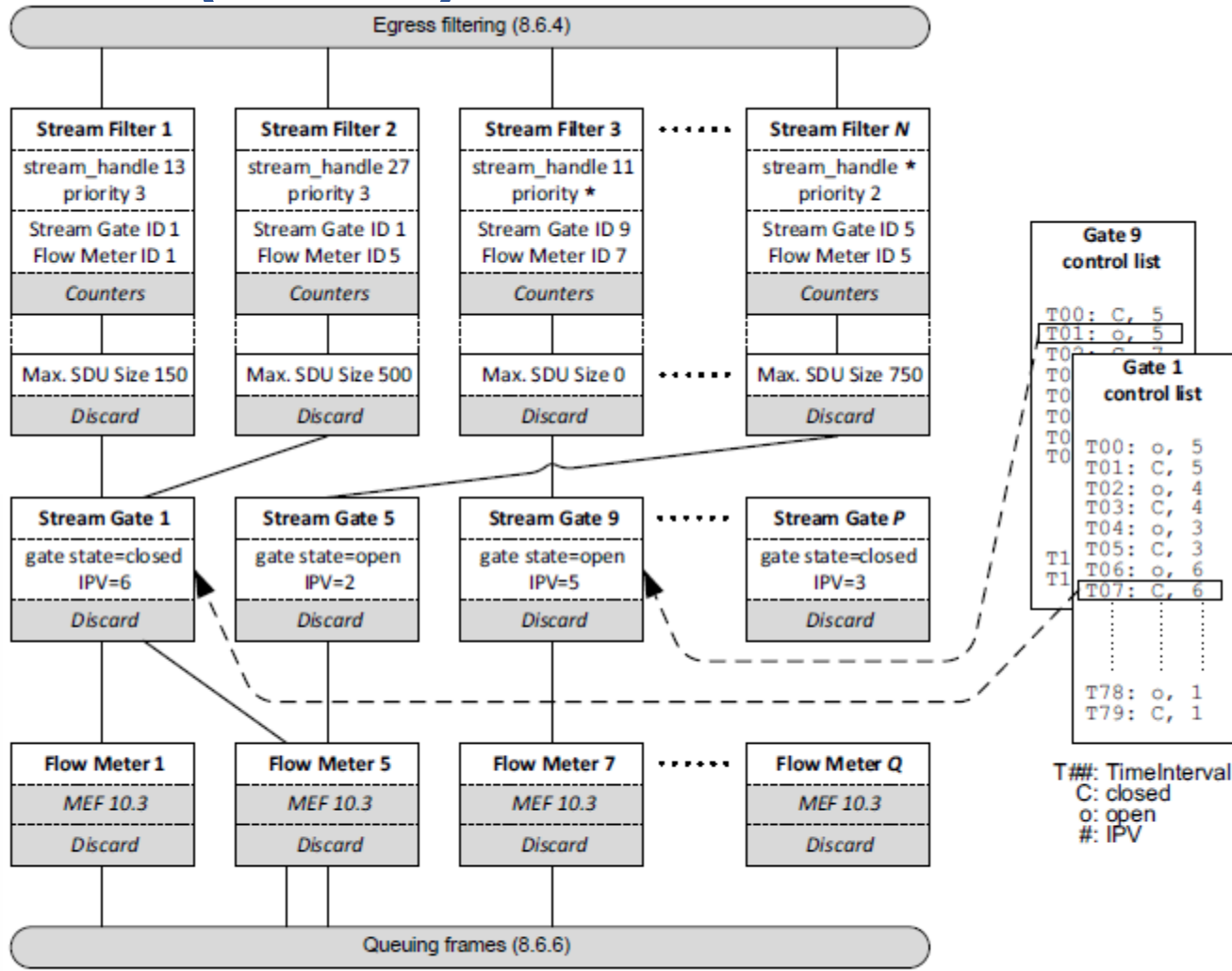
- This presentation provides two new figures of the PSFP and ATS “pipelines” in clause 8.6.5 of an IEEE Std 802.1Q-20XX for subsequent discussion in Maintenance (see <https://www.802-1.org/items/365>).
- The new figures are intended as potential replacements for the existing figures 8-14 and 8-15. The existing figures are found in recent P802.1Qcr drafts (<https://1.ieee802.org/tsn/802-1qcr/>).
- Agreement whether or not the new figures shall replace the existing ones is subject to discussion in 802.1 Maintenance.
- As indicated in Geneva, it is not enough to just insert `stream_handle`. One immediate consequence is the need for layout changes. In addition, the new figures provide additional enhancements over the existing ones for discussion.

Old Figure 8-14 (PSFP)



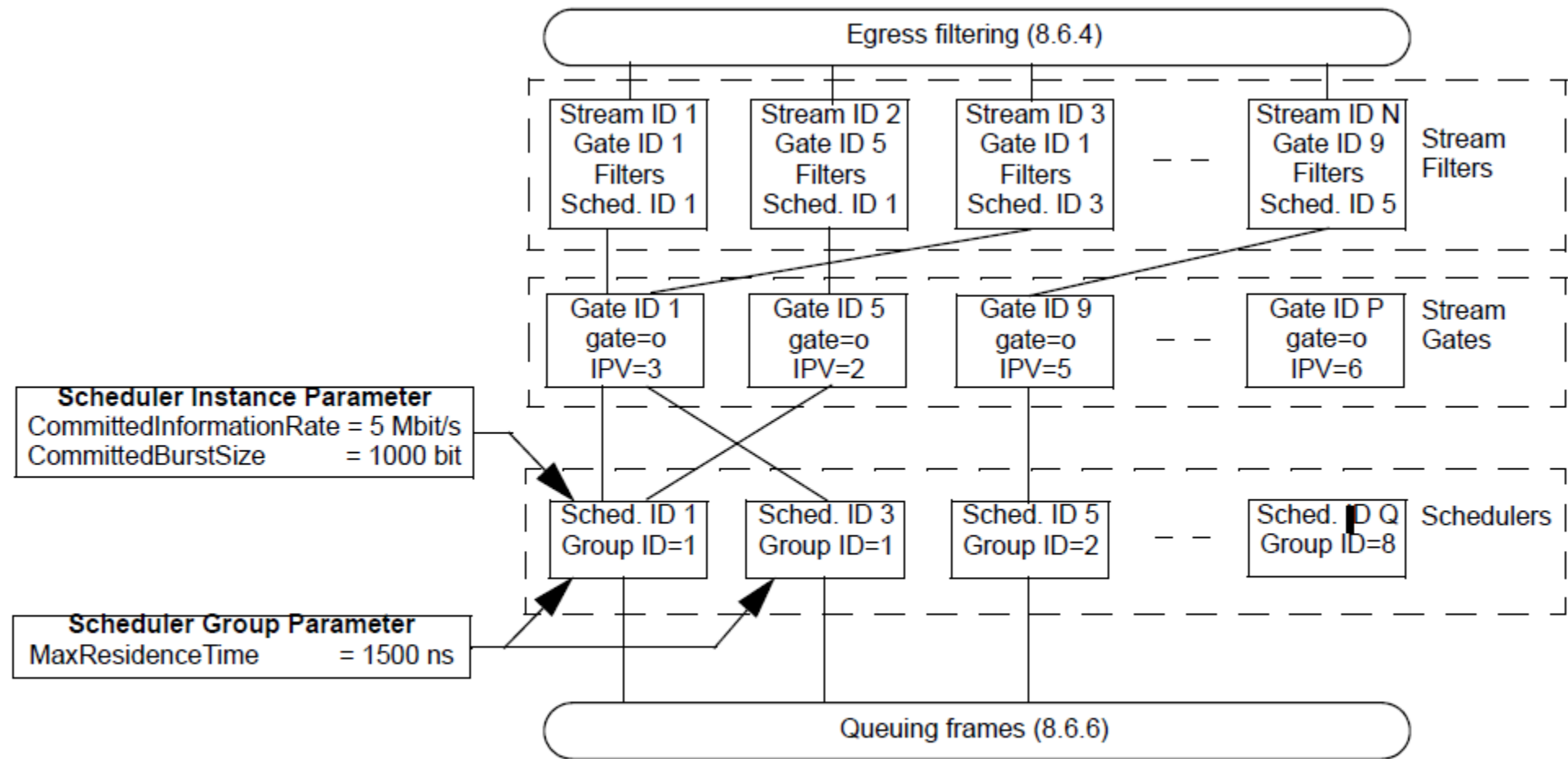
KEY
 Stream ID: stream filter instance identifier (8.6.5.3)
 Gate ID: stream gate instance identifier (8.6.5.3, 8.6.5.4)
 Meter ID: flow meter instance identifier (8.6.5.3, 8.6.5.5)

New Figure 8-14 (PSFP)



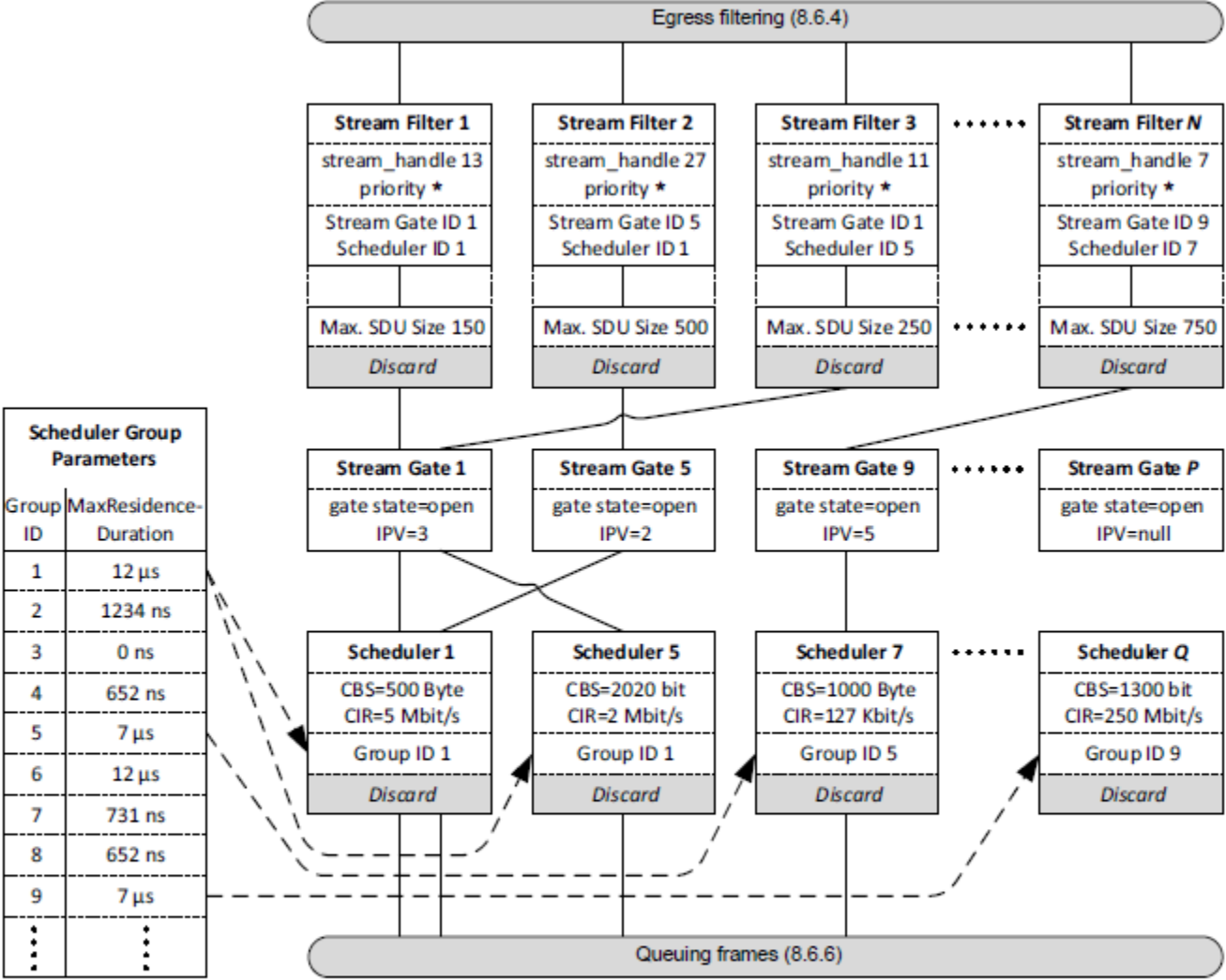
KEY
Counters: Matching, passing, and discarded frame counters (8.6.5.3).
Discard: Frame discarding abilities and parameters (8.6.5.3.1, 8.6.5.4, 8.6.5.5).
MEF 10.3: MEF 10.3 Bandwidth Profile parameters and algorithm (8.6.5.5).

Old Figure 8-15 (ATS)



KEY
 Stream ID: stream filter instance identifier (8.6.5.3)
 Gate ID: stream gate instance identifier (8.6.5.3, 8.6.5.4)
 Sched. ID: ATS scheduler instance identifier (8.6.5.3, 8.6.5.6)

New Figure 8-15 (ATS)



Scheduler Group Parameters	
Group ID	MaxResidence-Duration
1	12 μs
2	1234 ns
3	0 ns
4	652 ns
5	7 μs
6	12 μs
7	731 ns
8	652 ns
9	7 μs
⋮	⋮
⋮	⋮
⋮	⋮

KEY
Discard: Frame discarding abilities and parameters (8.6.5.3.1, 8.6.5.4, 8.6.5.6).
 CBS: CommittedBurstSize parameter (8.6.5.6, 8.6.11.3.5).
 CIR: CommittedInformationRate parameter (8.6.5.6, 8.6.11.3.6).