

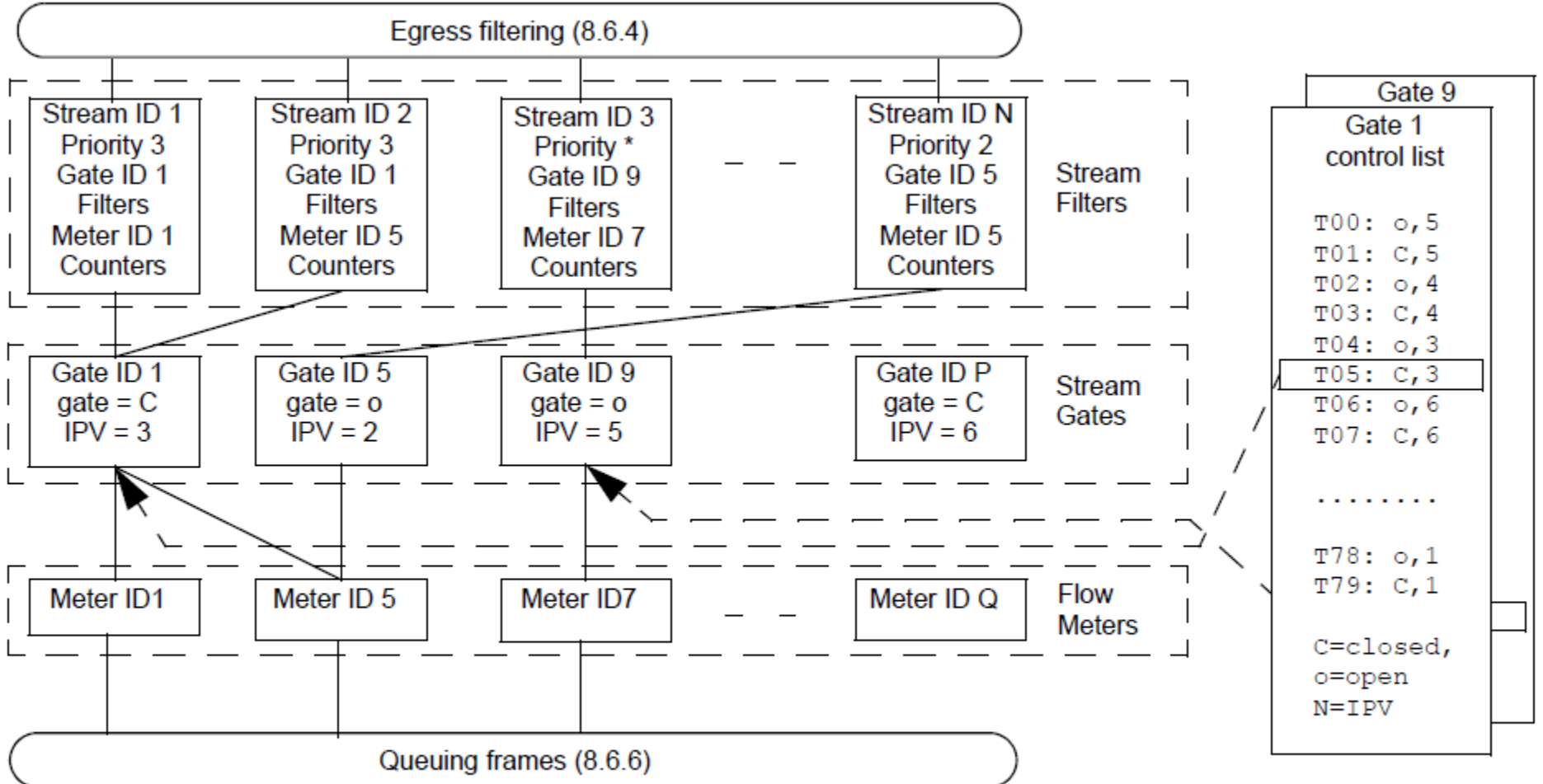
# Figures for IEEE 802.1 Maintenance item 251

Johannes Specht, [johannes.specht.standards@gmail.com](mailto:johannes.specht.standards@gmail.com),  
University of Duisburg-Essen

# Introduction

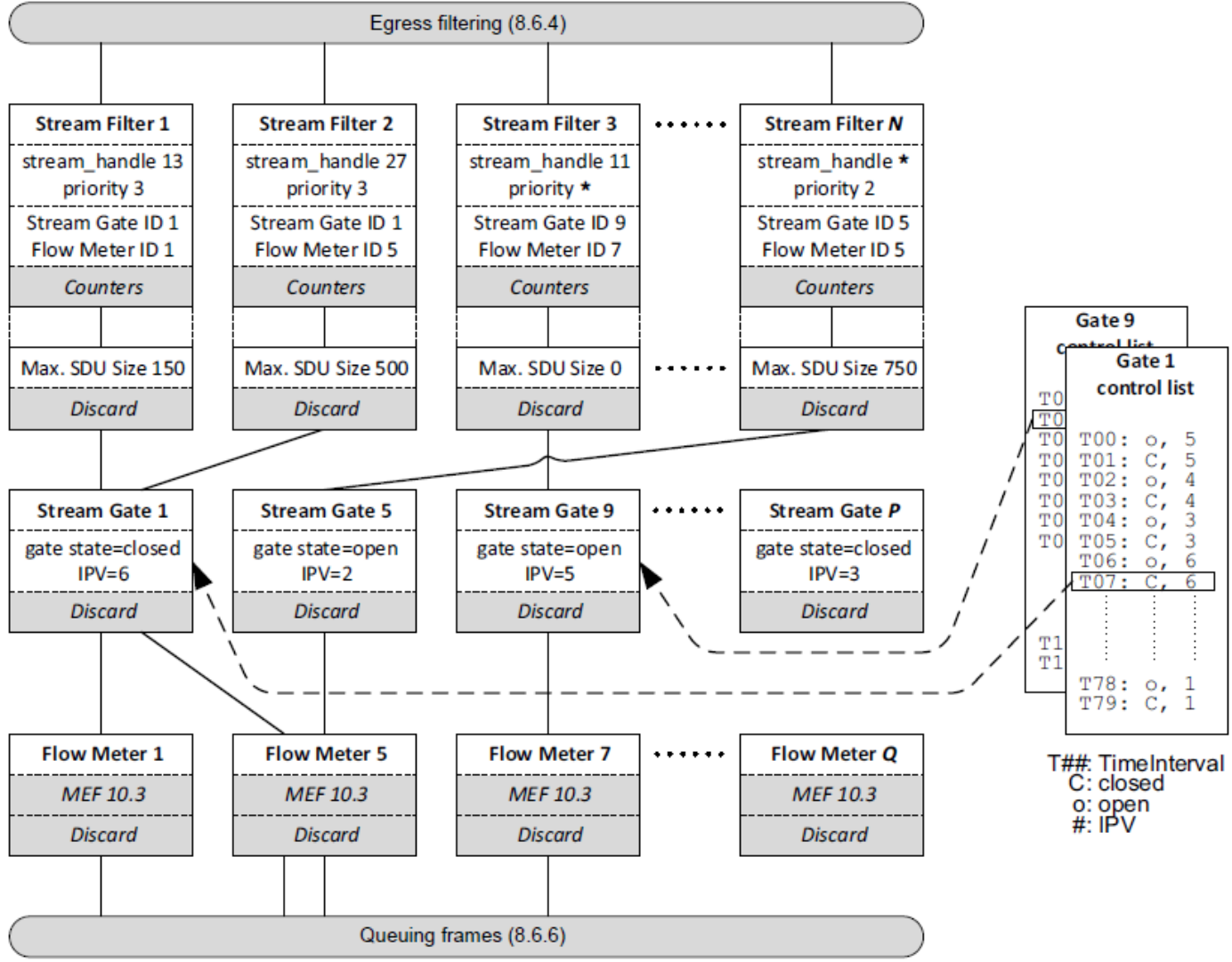
- This presentation provides two new figures of the PSFP and ATS “pipelines” in clause 8.6.5 of an IEEE Std 802.1Q-20XX for subsequent discussion in Maintenance (see <https://www.802-1.org/items/365>).
- The new figures are intended as potential replacements for the existing figures 8-14 and 8-15. The existing figures are found in recent P802.1Qcr drafts (<https://1.ieee802.org/tsn/802-1qcr/>).
- Agreement whether or not the new figures shall replace the existing ones is subject to discussion in 802.1 Maintenance.
- As indicated in Geneva, it is not enough to just insert `stream_handle`. One immediate consequence is the need for layout changes. In addition, the new figures provide additional enhancements over the existing ones for discussion.

# Old Figure 8-14 (PSFP)

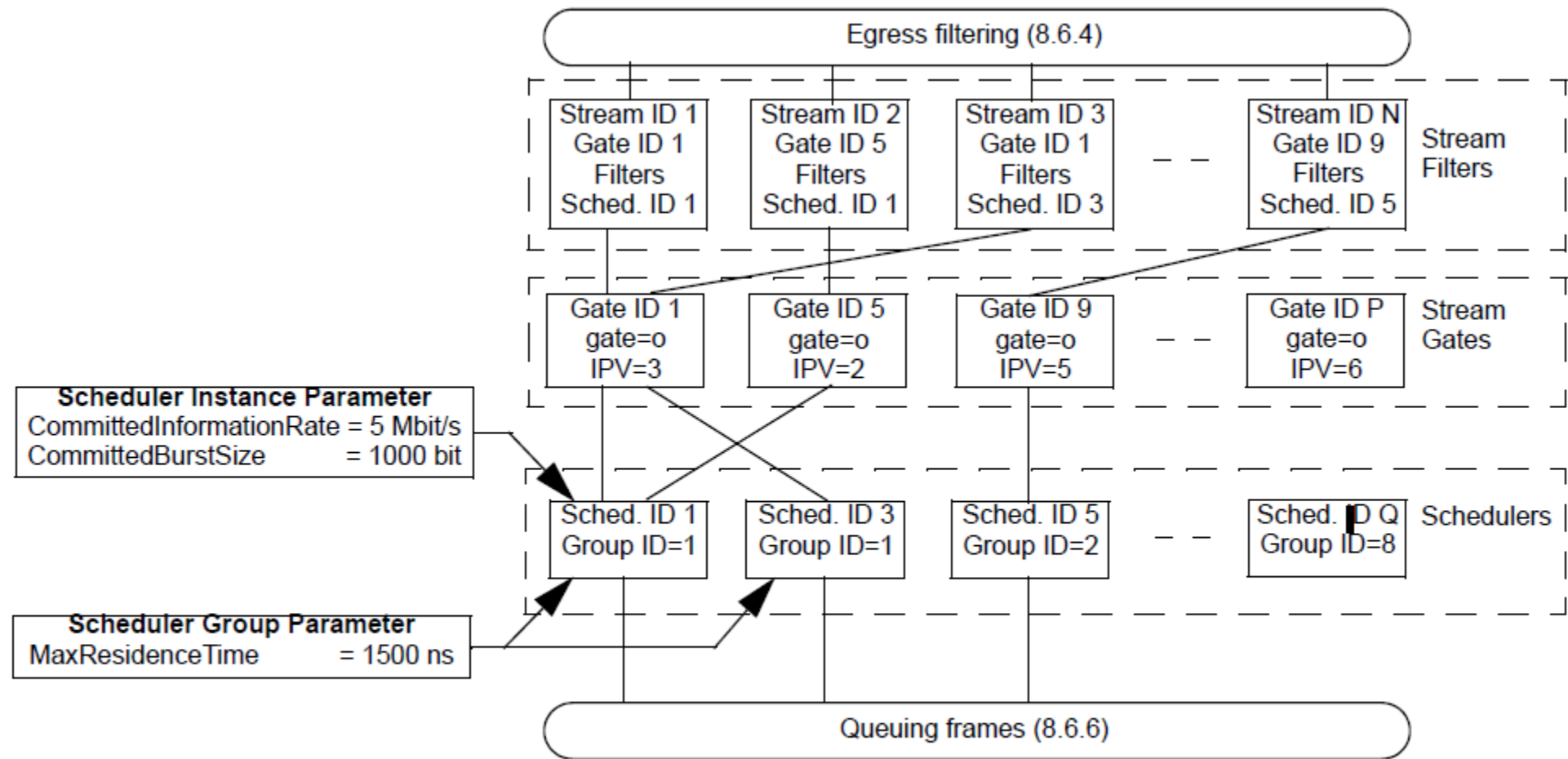


**KEY**  
 Stream ID: stream filter instance identifier (8.6.5.3)  
 Gate ID: stream gate instance identifier (8.6.5.3, 8.6.5.4)  
 Meter ID: flow meter instance identifier (8.6.5.3, 8.6.5.5)

# New Figure 8-14 (PSFP)



# Old Figure 8-15 (ATS)



**KEY**  
 Stream ID: stream filter instance identifier (8.6.5.3)  
 Gate ID: stream gate instance identifier (8.6.5.3, 8.6.5.4)  
 Sched. ID: ATS scheduler instance identifier (8.6.5.3, 8.6.5.6)

# New Figure 8-15 (ATS)

