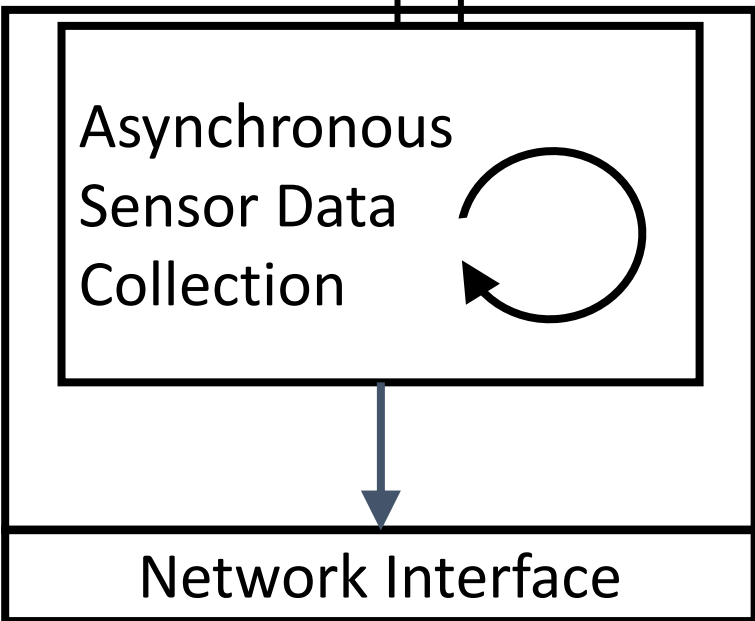
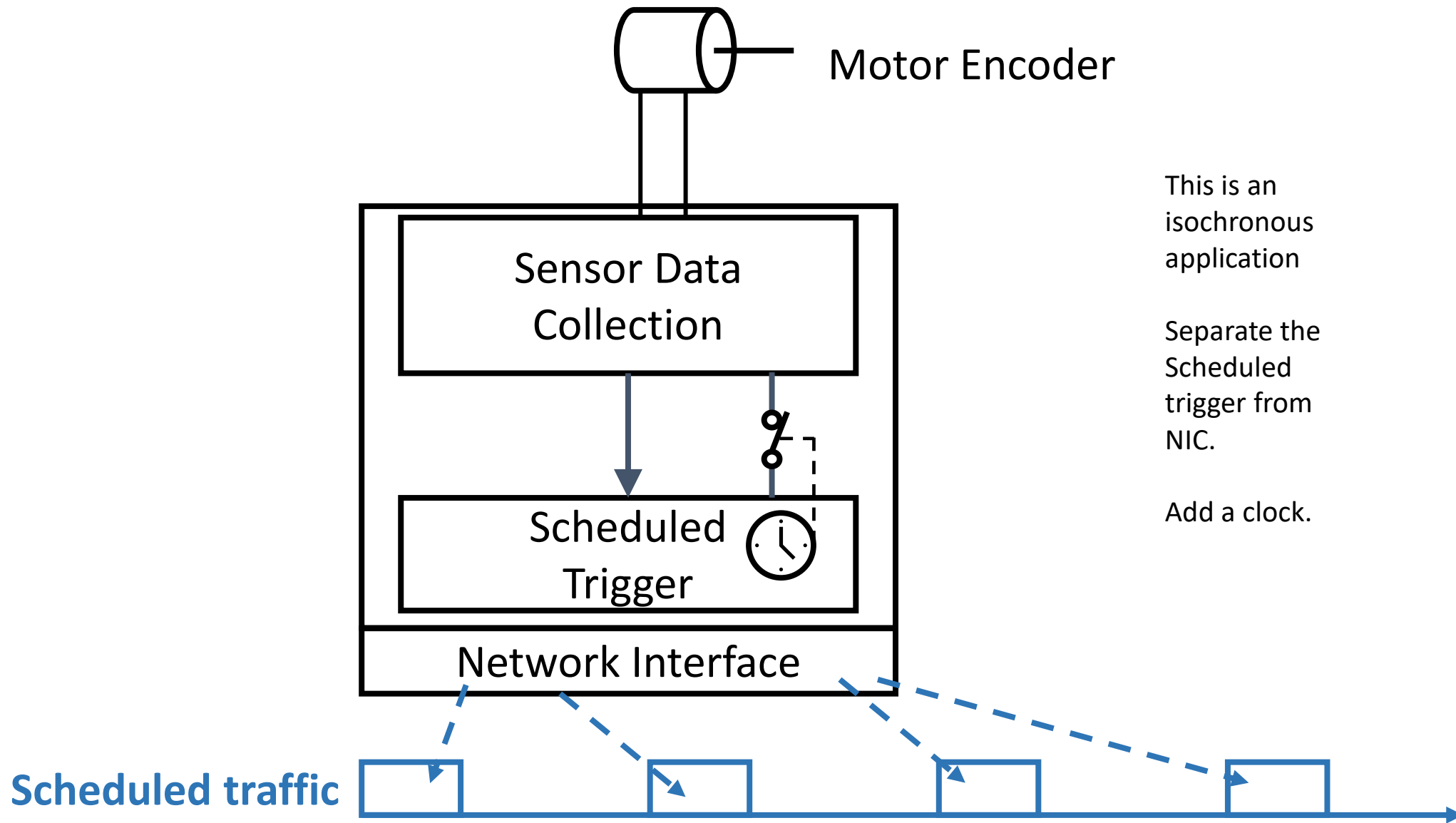


+ - Thermocouple





This is an isochronous application

Separate the Scheduled trigger from NIC.

Add a clock.

