

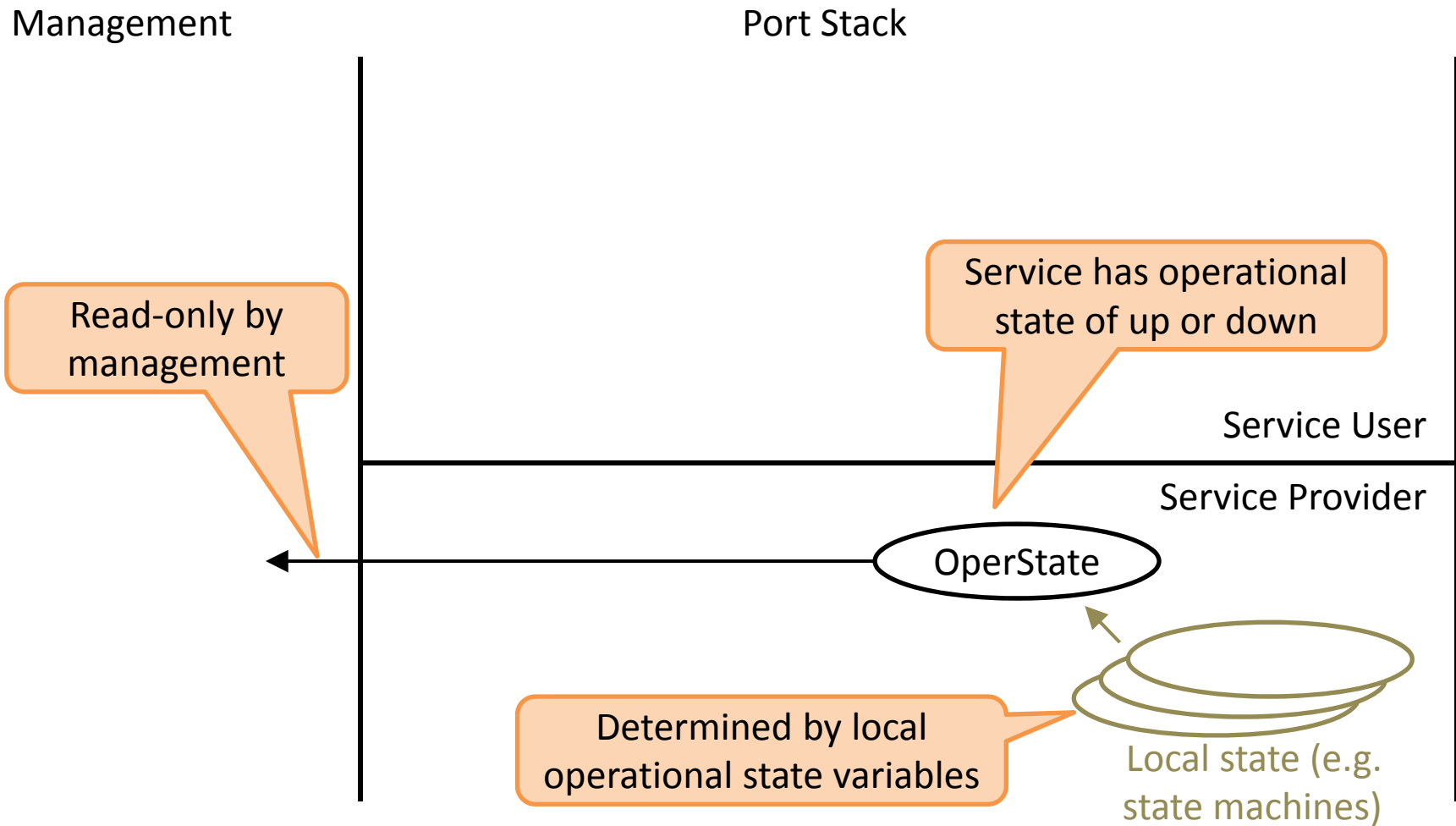
ISS Status Parameters

Version 2

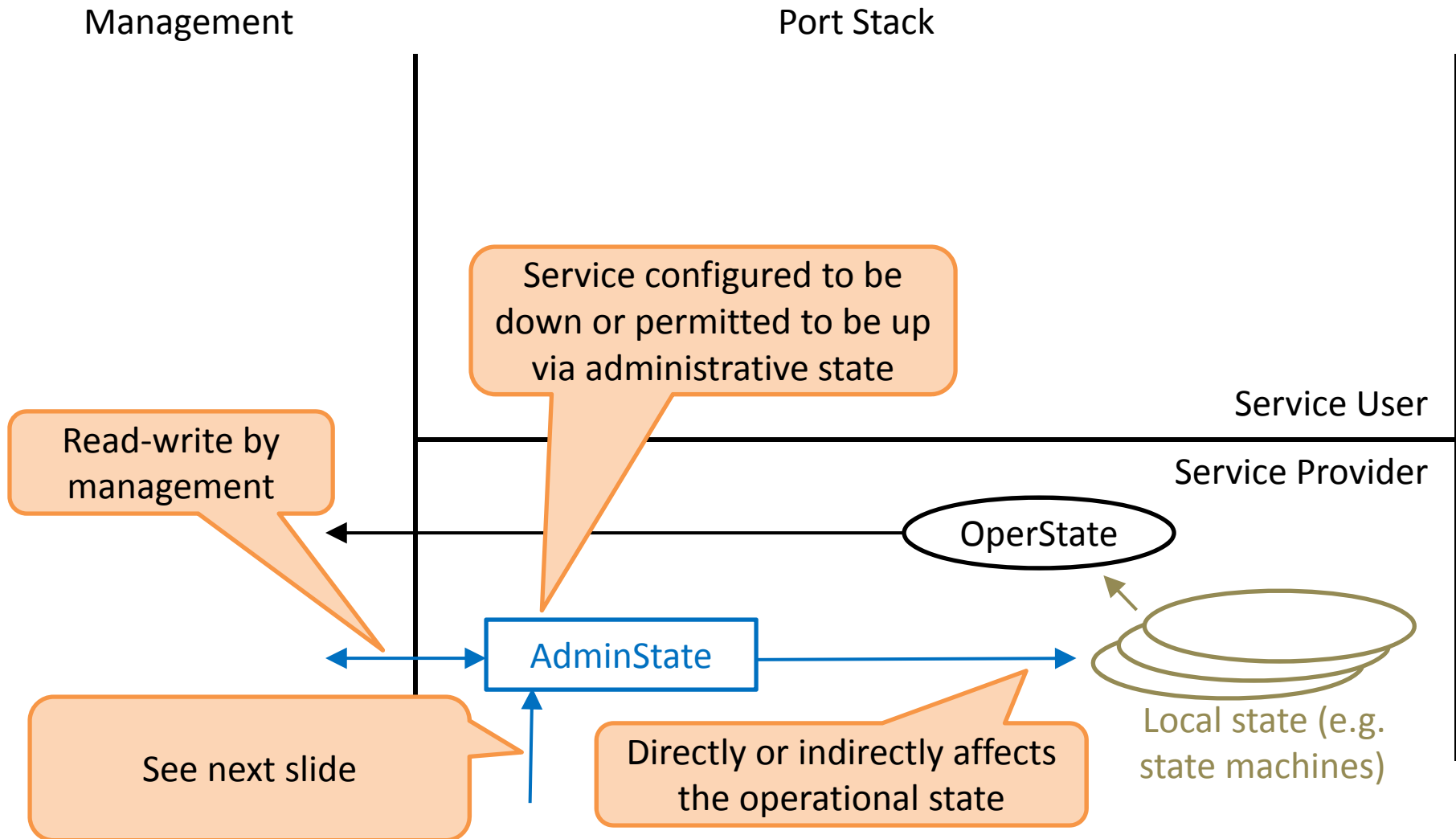
Stephen Haddock

January 15, 2019

OperState variable



AdminState variable



What can change AdminState?

- Much of the discussion/disagreement centered on the arrow going up into the AdminState variable. This was intended to represent other “administrative controls” that could potentially change the AdminState value configured by management.
- When mapping to an ifTable this is an issue because there could be management methods other than SNMP (e.g. local CLI) that could change the AdminState value.
- We concluded that the document would not try to specify a structure that reconciled multiple management methods, and that within the Link Aggregation sublayer we would not specify any other administrative or operational controls that modified AdminState. Therefore within the context of the Link Aggregation sublayer we model a single management interface as the only mechanism for writing AdminState.
- Documents specifying other sublayers could potentially reach a different conclusion.

ISS status parameters

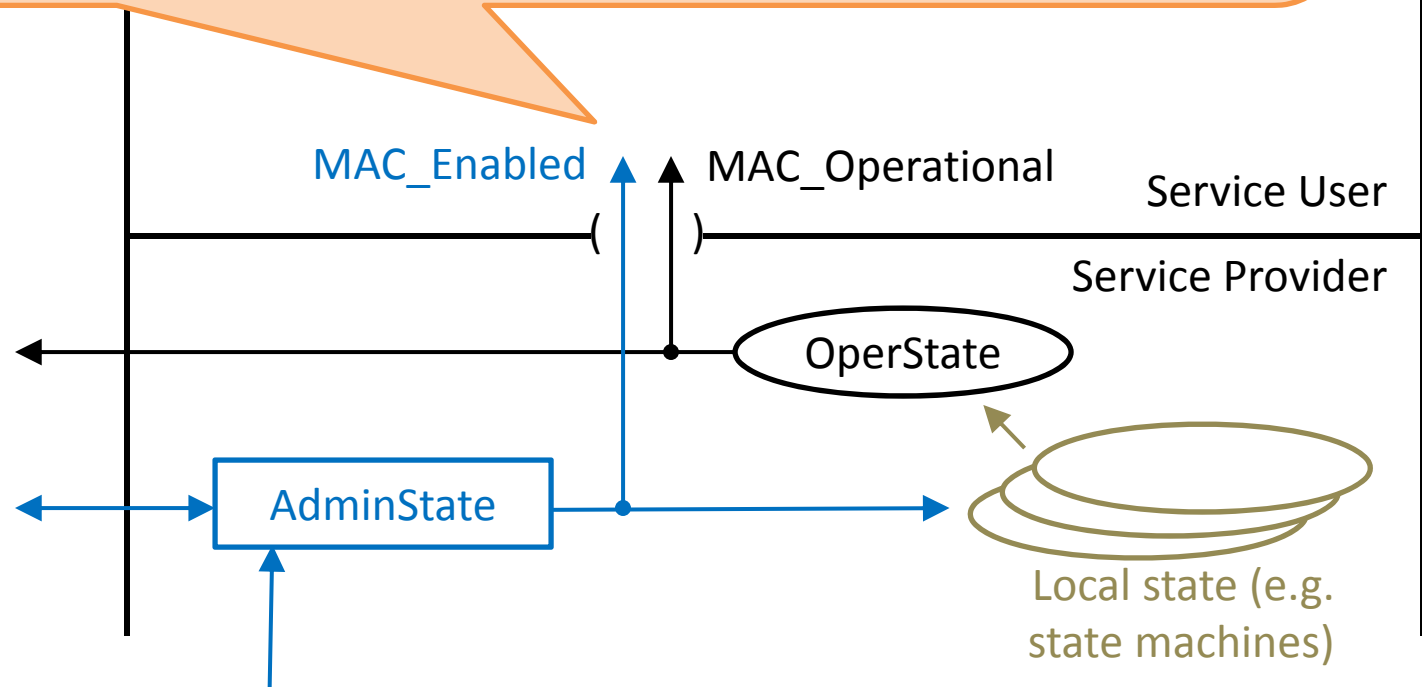
How I interpreted the ISS status parameter definitions

- I think there is agreement on MAC_Operational.
- Evidently there are different interpretations of MAC_Enabled.

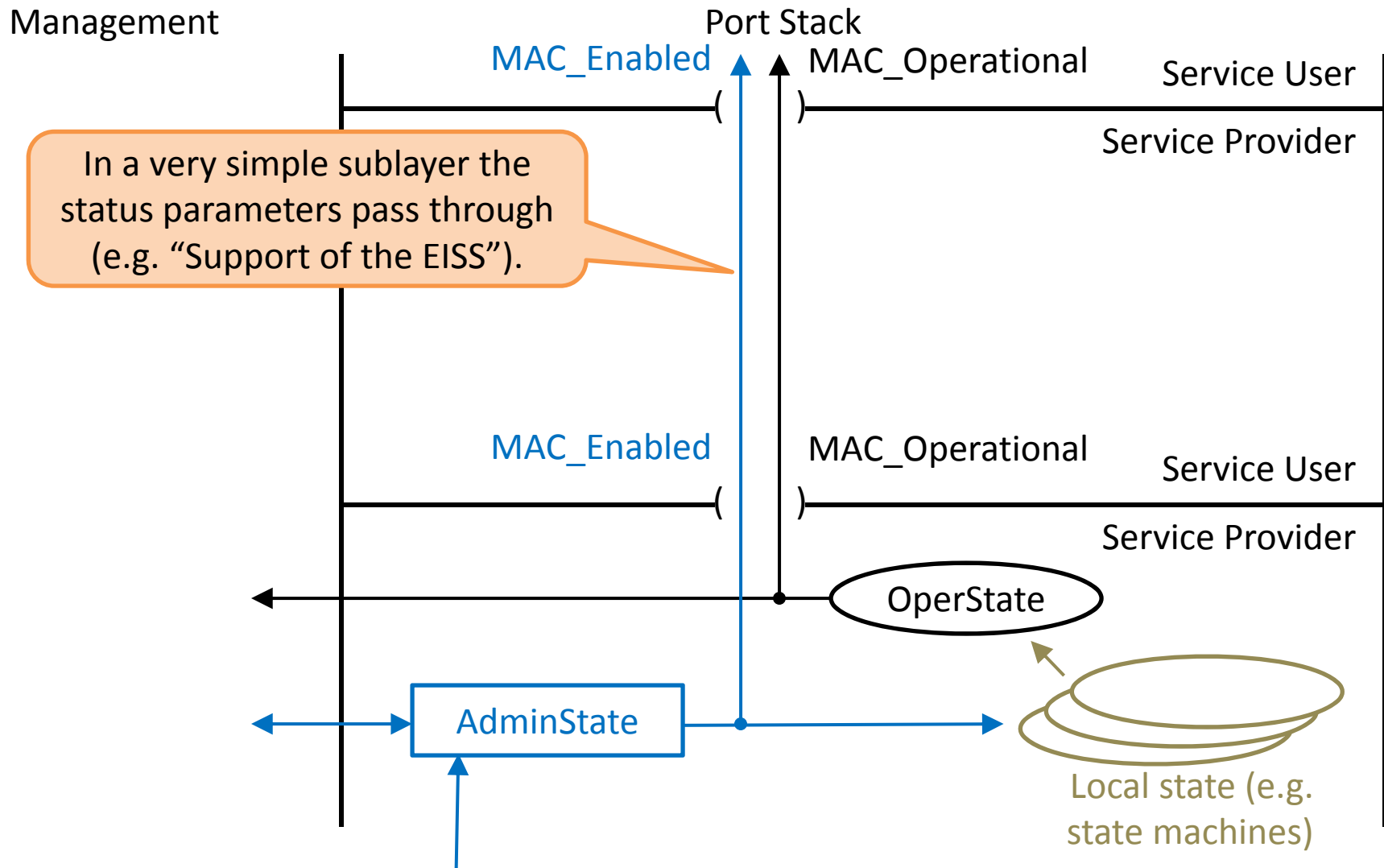
This interpretation appears (to me) to be consistent with:

- 802.1AC-2016 section 11.2
- 802.1Q-2018 Support of the EISS (6.8.2), Multiplexing Entities (6.17, 6.18, 6.19), Bridge Transmit and Receive (8.5), TPMR (23.1.1)

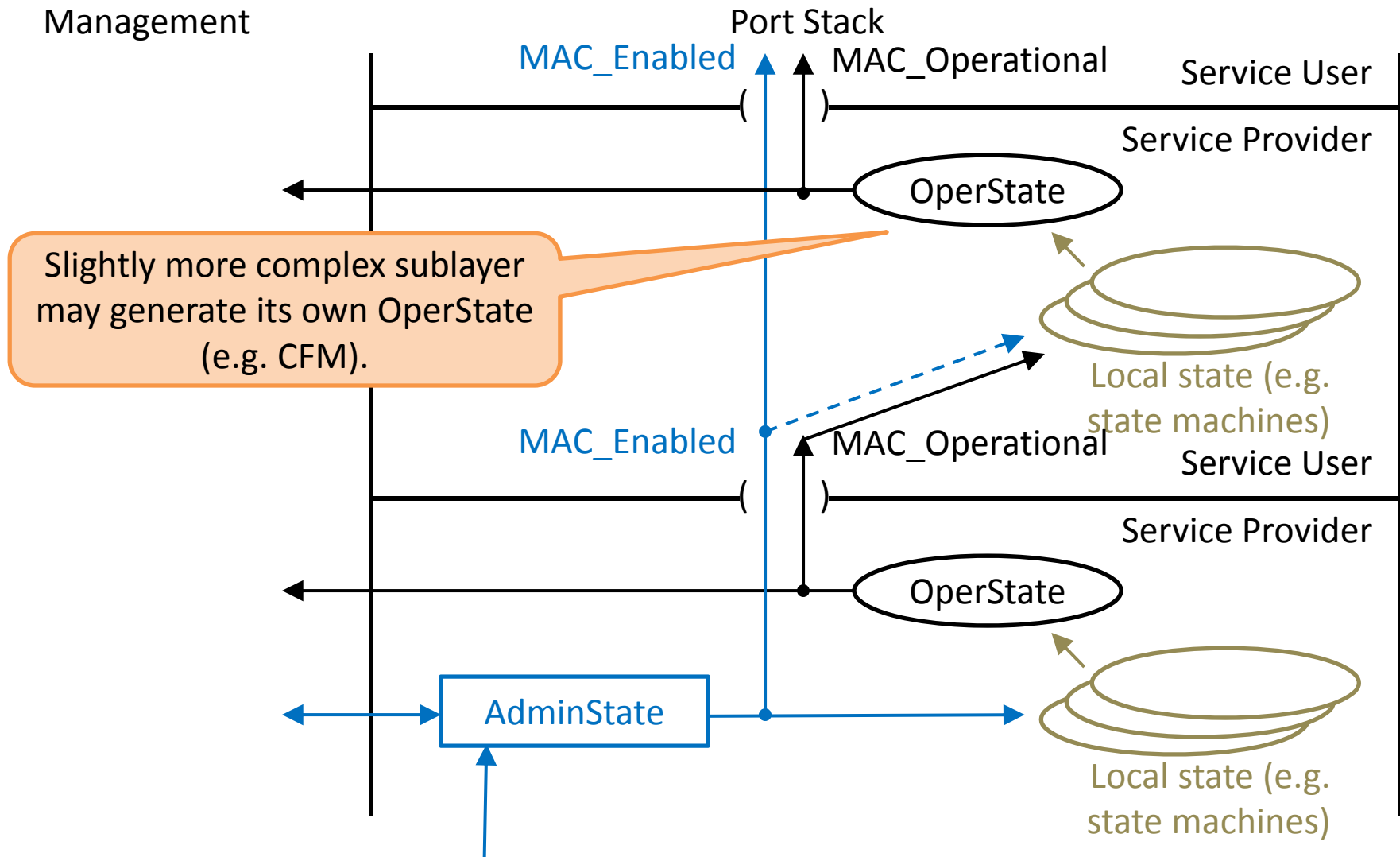
Manage



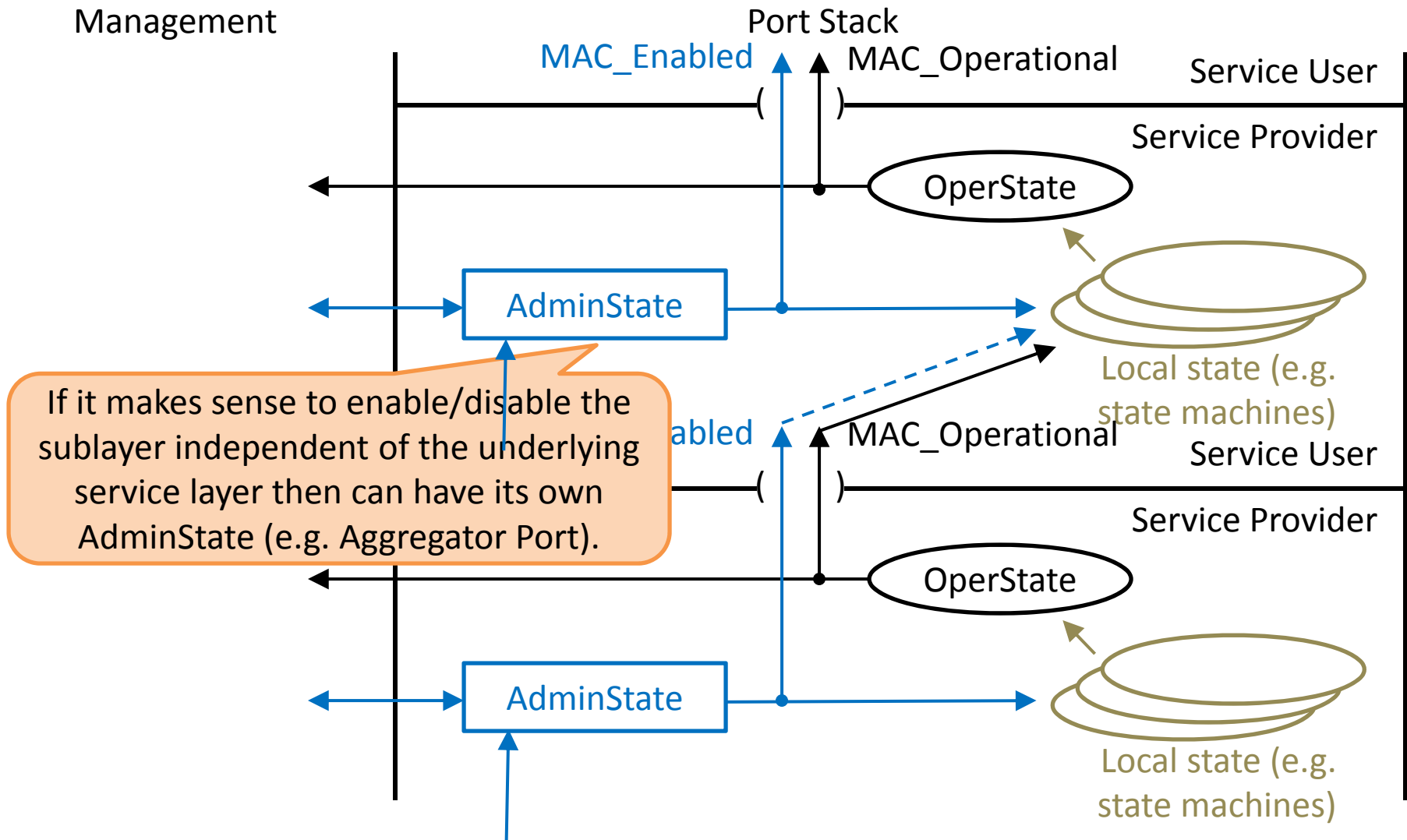
Use of the ISS status parameters



Use of the ISS status parameters



ISS status parameters



Back up slides

Thank You