

# Applicability of TSN to 5G services

- **Tongtong Wang, Xinyuan Wang**
- **Huawei Technologies**

# Background

- Conclusion from ITU-T/IEEE joint workshop, gives the following suggestion that TSN applicability for 5G services shall be investigated.

## Session 3: Mobile fronthaul, 5G mobile transport

### Takeaways and Conclusions

1. IEEE 802.1 TSN is applicable to 5G transport, e.g., 802.1CM TSN for Fronthaul
2. ITU-T Q13/15 is enhancing Synchronous Ethernet and the Telecom Profiles of the Precision Time Protocol to address 5G requirements

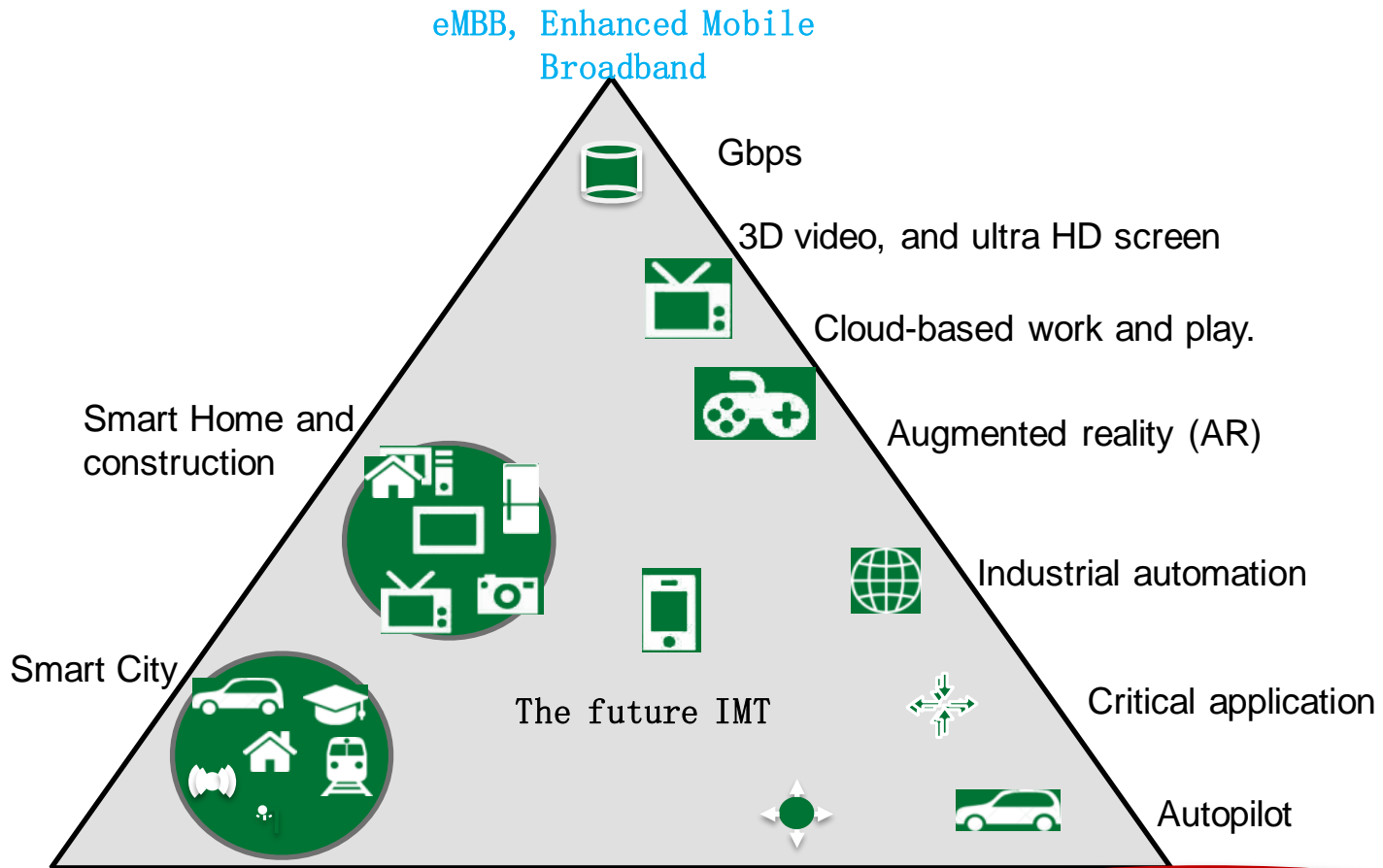
### Suggestions

- ITU-T SG 15 should continue to collect 5G/IMT2020 requirements
- ITU-T Q13/15 in cooperation with 3GPP and CPRI should continue to collect synchronization requirements for 5G
- Applicability of SG15 technologies to 5G transport should be considered
- Applicability of TSN to 5G applications beyond fronthaul should be studied



[\\*https://www.itu.int/en/ITU-T/Workshops-and-Seminars/20180127/Documents/Outcomes%20-%20Building%20Tomorrow%20Networks-Final.pdf](https://www.itu.int/en/ITU-T/Workshops-and-Seminars/20180127/Documents/Outcomes%20-%20Building%20Tomorrow%20Networks-Final.pdf)

# 5G Connects Everything



mMTC, Massive Machine Type  
Communication

uRLLC, Ultra-Reliable and Low-Latency  
Communication

# New Challenges to 5G Bearer Network

## Latency

**1** ms  
E2E  
Latency



## Throughput

**10G** bps  
Per  
Connection



## Connections

**1,000K**  
Connections  
Per km<sup>2</sup>



## Mobility

**500k** m/h  
High-speed  
Railway



## Network Architecture

**Slicing**  
Ability  
Required



- ❑ TSN techniques can help
  - Most of uRLLC services have E2E bounded latency requirement.
  - Network slicing implies no interference between applications or users.

# 3GPP TS 22.261: low-latency and high-reliability scenarios

Scenario	End-to-end latency (note 3)	Jitter	Survival time	Communication service availability (note 4)	Reliability (note 4)	User experienced data rate	Payload size (note 5)	Traffic density (note 6)	Connection density (note 7)	Service area dimension (note 8)
Discrete automation – motion control (note 1)	1 ms	1 µs	0 ms	99,9999%	99,9999%	1 Mbps up to 10 Mbps	Small	1 Tbps/km <sup>2</sup>	100 000/km <sup>2</sup>	100 x 100 x 30 m
Discrete automation	10 ms	100 µs	0 ms	99,99%	99,99%	10 Mbps	Small to big	1 Tbps/km <sup>2</sup>	100 000/km <sup>2</sup>	1000 x 1000 x 30 m
Process automation – remote control	50 ms	20 ms	100 ms	99,9999%	99,9999%	1 Mbps up to 100 Mbps	Small to big	100 Gbps/km <sup>2</sup>	1 000/km <sup>2</sup>	300 x 300 x 50 m
Process automation – monitoring	50 ms	20 ms	100 ms	99,9%	99,9%	1 Mbps	Small	10 Gbps/km <sup>2</sup>	10 000/km <sup>2</sup>	300 x 300 x 50
Electricity distribution – medium voltage	25 ms	25 ms	25 ms	99,9%	99,9%	10 Mbps	Small to big	10 Gbps/km <sup>2</sup>	1 000/km <sup>2</sup>	100 km along power line
Electricity distribution – high voltage (note 2)	5 ms	1 ms	10 ms	99,9999%	99,9999%	10 Mbps	Small	100 Gbps/km <sup>2</sup>	1 000/km <sup>2</sup> (note 9)	200 km along power line
Intelligent transport systems – infrastructure backhaul	10 ms	20 ms	100 ms	99,9999%	99,9999%	10 Mbps	Small to big	10 Gbps/km <sup>2</sup>	1 000/km <sup>2</sup>	2 km along a road
Tactile interaction (note 1)	0,5 ms	TBC	TBC	[99,999%]	[99,999%]	[Low]	[Small]	[Low]	[Low]	TBC
Remote control	[5 ms]	TBC	TBC	[99,999%]	[99,999%]	[From low to 10 Mbps]	[Small to big]	[Low]	[Low]	TBC

NOTE 1: Traffic prioritization and hosting services close to the end-user may be helpful in reaching the lowest latency values.

NOTE 2: Currently realised via wired communication lines.

NOTE 3: This is the end-to-end latency the service requires. The end-to-end latency is not completely allocated to the 5G system in case other networks are in the communication path.

NOTE 4: Communication service availability relates to the service interfaces, reliability relates to a given node. Reliability should be equal or higher than communication service availability.

NOTE 5: Small: payload typically ≤ 256 bytes

NOTE 6: Based on the assumption that all connected applications within the service volume require the user experienced data rate.

NOTE 7: Under the assumption of 100% 5G penetration.

NOTE 8: Estimates of maximum dimensions; the last figure is the vertical dimension.

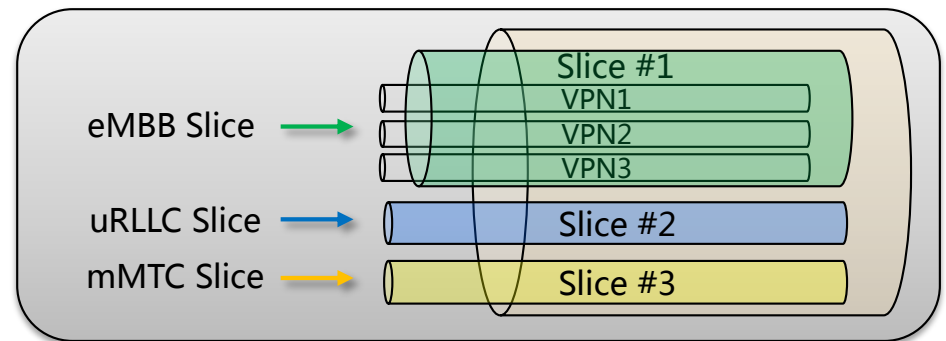
NOTE 9: In dense urban areas.

NOTE 10: All the values in this table are targeted values and not strict requirements.

According to scenarios from 3GPP, bounded latency and jitter shall be ensured in uRLLC services

# Networking Slicing Defined in 3GPP

- In TR 23.799: The network slice is a complete logical network (providing Telecommunication Services and Network Capabilities) including AN (RAN Access Network) and CN (Core Network). Whether RAN is sliced is up to RAN WGs to determine:
  - AN can be common to multiple network slices.
  - Network slices may differ for features supported and Network Functions optimisations use cases.
  - Networks may deploy multiple Network slice instances delivering exactly the same optimisations and features as per but dedicated to different groups of UEs, e.g. as they deliver a different committed service and/or because they may be dedicated to a customer.



# Forwarding Plane For Bounded Latency Traffic

- Choice A: Ensure average bandwidth for long term traffic in **soft partitioning network**, bounded E2E latency is achievable.
  - E2E planning with simple Qos scheduling.
  - TSN scheduling algorithms.
  - Others.

Option 1



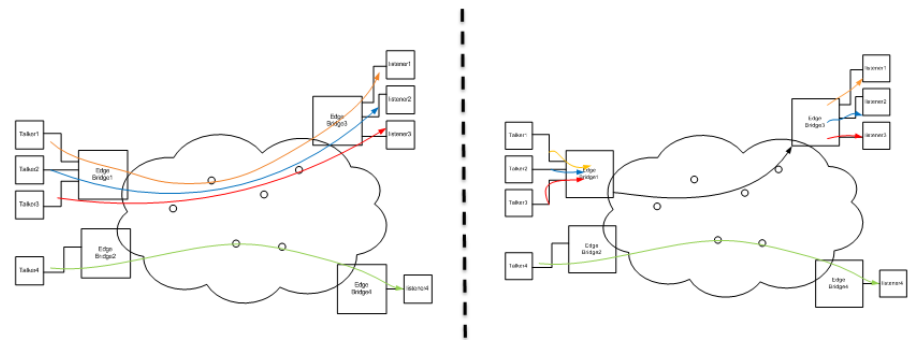
- Choice B: Guarantee strict bandwidth in **hard partitioning network**
  - Dedicate devices and links.
  - Std 802.1Qbv support up to 8 time slices at port level.
  - Others.

Option 2



# TSN flow Aggregation in 5G Bearer Network

- TSN techniques are necessary for bounded latency services in 5G bearer network, we like to consider it more carefully from perspective of larger scale and converged IP network.
  - Large scale and converged network means multi-hop , flexible topology and big number of traffic flows.
- Current IP network uses DiffServ model for the sake of efficiency, while TSN resource reservation and scheduling is more like IntServ model. *Flow aggregation* helps reduce number of IntServ flows, need more discussion in standard.

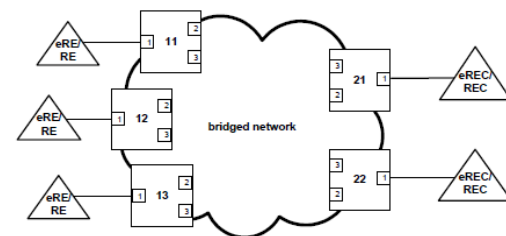


Flow aggregation illustration



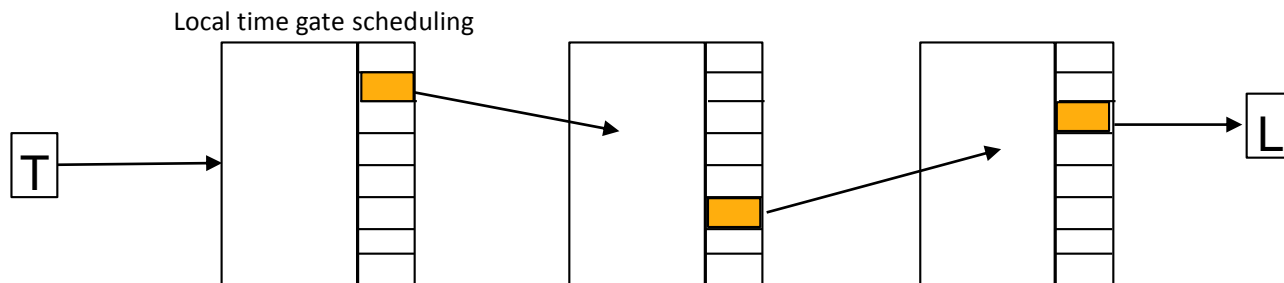
# Scheduling Algorithms in 5G Bearer Network

- 802.1CM as an example:
  - strict priority scheduling with E2E traffic planning provides bounded latency.
  - This achieve lowest latency with network planning, preemption can further help reduce port delay .
  - Easy deployment.
- Limitation:
  - Increasing number of CPRI flows in bridge enlarge worst forwarding delay per hop.



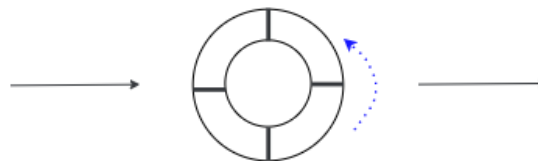
# Scheduling Algorithms in 5G Bearer Network

- Current algorithm described in P802.1Qcr is not easy for bridges in bearer network
  - Direct comparison of  $n$  bit eligibility time is costly for high speed port.
- Other async scheduling approaches
  - Unsync-ed scheduled traffic with internal buffering.



Worst case queueing latency =  $8 * \text{time\_slot\_width}$ ;

- Paternoster Similar



Worst case latency =  $3 * \text{epoch}$

# Summary

- TSN techniques are necessary for 5G uRLLC applications and network slicing in 5G bearer network.
- Topics to further investigate
  - Flow aggregation
  - Scheduling methods for large number of TSN flows , queues and physical ports.
- Would any one like to join discussing profiles for 5G bearer network solution, please come together.

# Thank you

[www.huawei.com](http://www.huawei.com)

**Copyright©2011 Huawei Technologies Co., Ltd. All Rights Reserved.**

The information in this document may contain predictive statements including, without limitation, statements regarding the future financial and operating results, future product portfolio, new technology, etc. There are a number of factors that could cause actual results and developments to differ materially from those expressed or implied in the predictive statements. Therefore, such information is provided for reference purpose only and constitutes neither an offer nor an acceptance. Huawei may change the information at any time without notice.