

Flexible Manufacturing System(FMS) --for Small Batch Customized Production

Yu Bai, Huawei Technologies.
Wayne Qiu, Huawei Technologies.

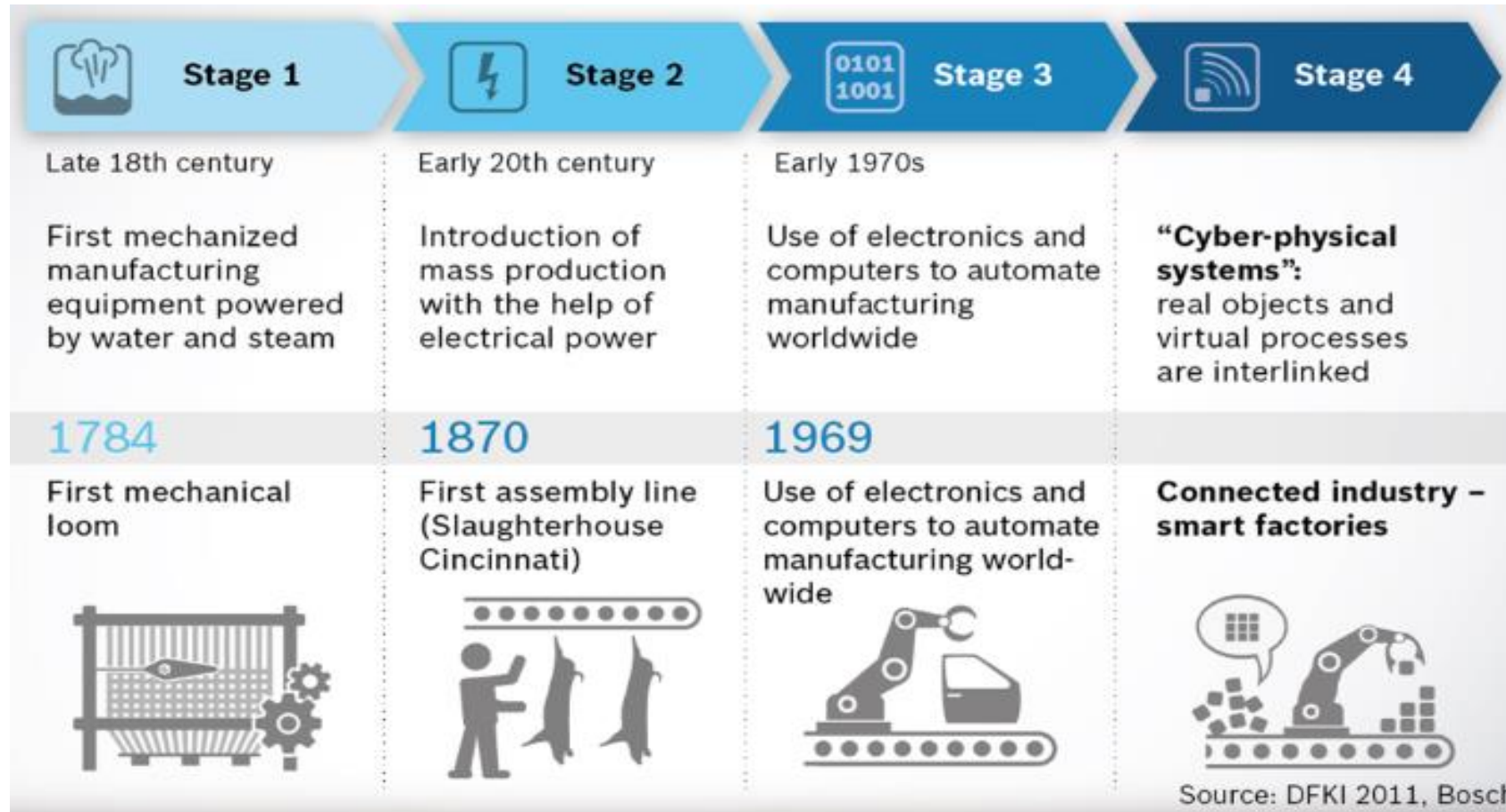
www.huawei.com

IEC/IEEE 60802, July 2018, Frankfurt

HUAWEI TECHNOLOGIES CO., LTD.



Flexible Manufacturing is the Key Feature of I4.0



I4.0: Devices, Manufactures, Customers will be connected closely. Customized production is highly demanded

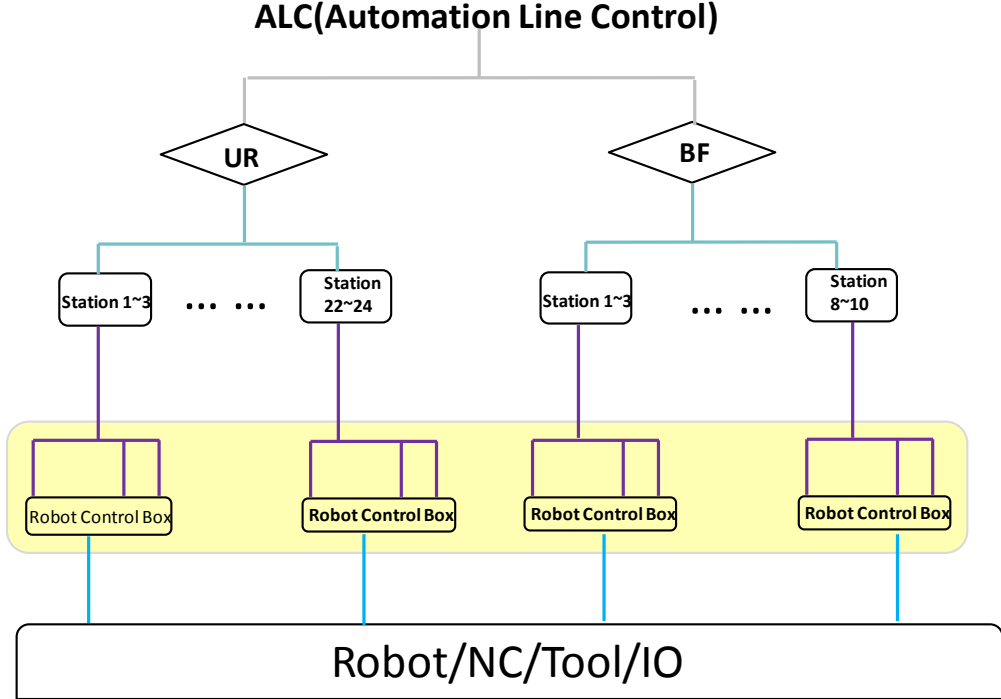
Classical FMS—Static Scheduling based on Production Sequence

A Digital Factory in Cheng Du



- ✓ Product with same mechanical framesize use one type RFID CAR ;
- ✓ The trace of RFID CAR is determined by the scanning results ;
- ✓ Up to 100 types of production test and assembly in one line ;
- ✓ **Static scheduling and configuration, still belongs to mass production ;**

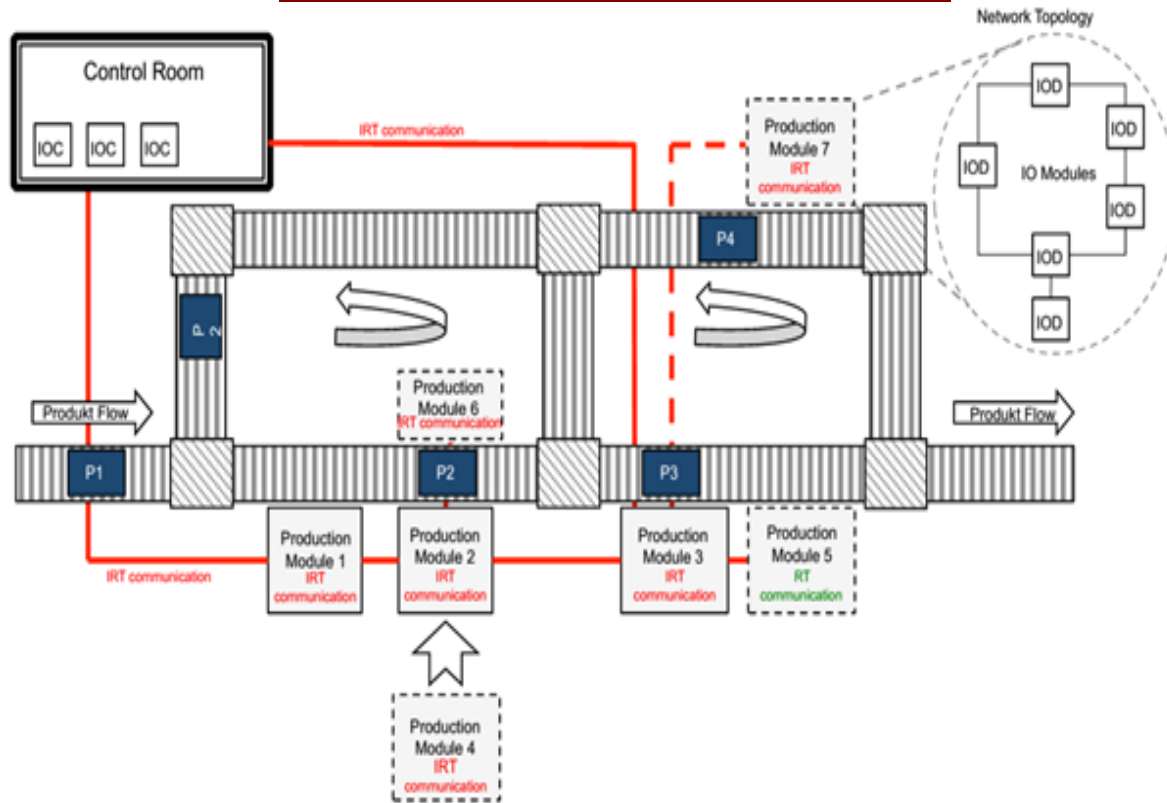
An Automotive Soldering Factory



- ✓ Station controller distribute car information to Robot Control Box;
- ✓ Robot Control Box select corresponding PLC sub program based on car Info.
- ✓ Three different types of car can be soldered in the same soldering line ;
- ✓ **Static scheduling and configuration, still belongs to mass production ;**

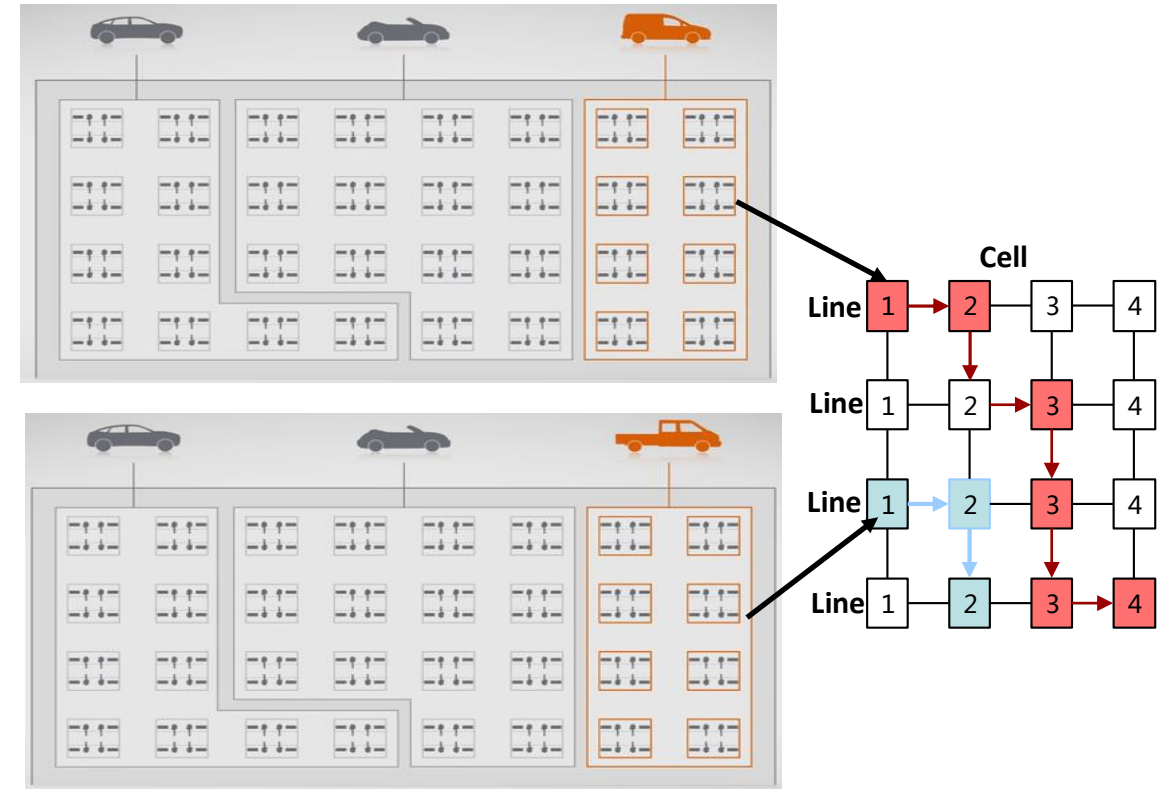
Advanced FMS— Dynamically Response to Customer Requirement and Market Vibration

Use case 1— Research by Academy



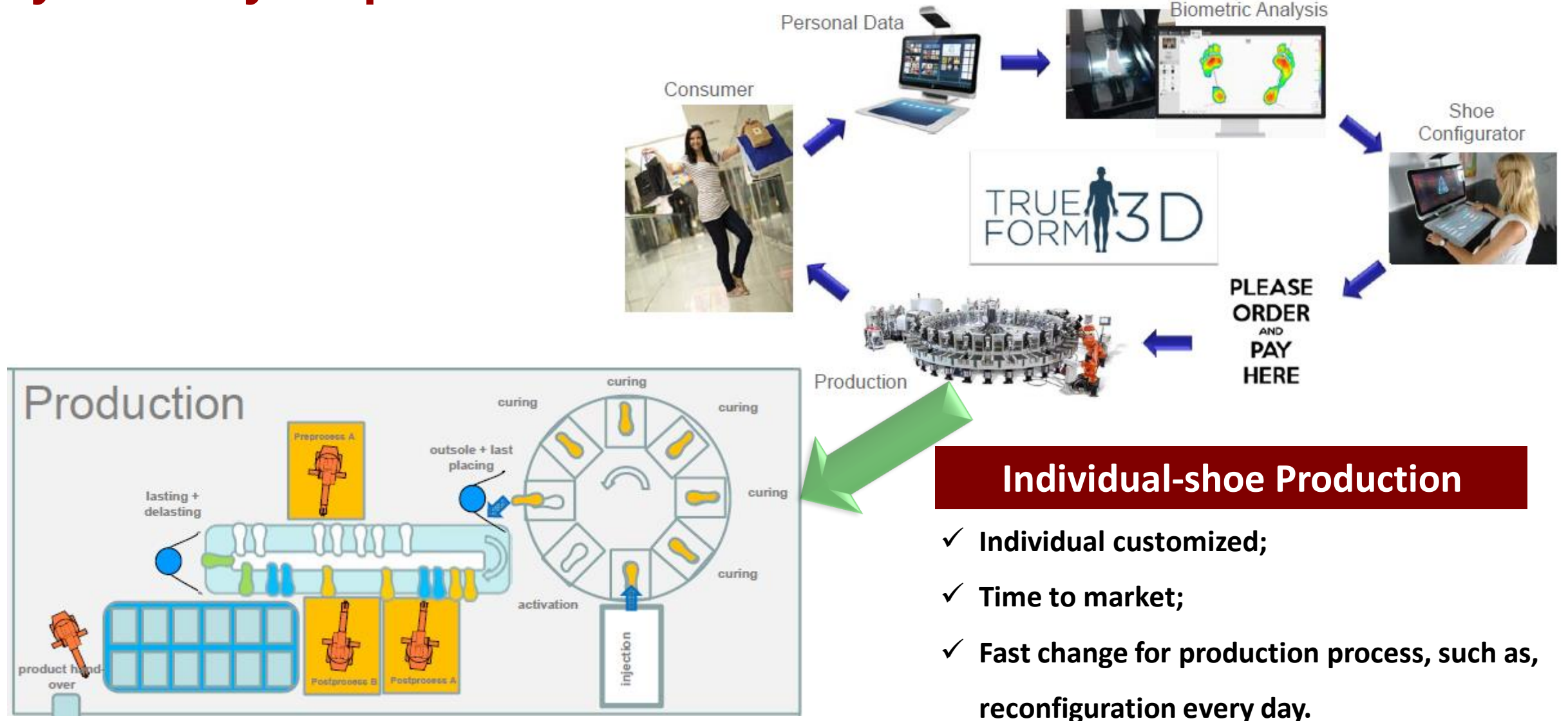
- ✓ **Online replacement for original module,** e.g., Module 2 changed to Module 4
- ✓ **Online add new module,** e.g., Module 7

Use case 2— FMS vision



Different cell from different line can be **dynamically connected.**

Advanced FMS— Dynamically Response to Customer Requirement and Market Vibration



Individual-shoe Production

- ✓ Individual customized;
- ✓ Time to market;
- ✓ Fast change for production process, such as, reconfiguration every day.

Advanced FMS Potential Requirements on Industrial Network

- ✓ **Dynamic topology change, plug & plug;**
- ✓ **Dynamic & online reconfiguration;**
- ✓ **Fast response to diverse applications;**
- ✓ **Simplified network configuration; such as, Intent-Driven network interface that is familiar with automation engineer.**

Thank you

www.huawei.com