

IEEE P802.1Xck YANG Instance Document

IEEE 802 Plenary Meeting

Marc Holness
Version 1.0
13 March 2017

Introduction

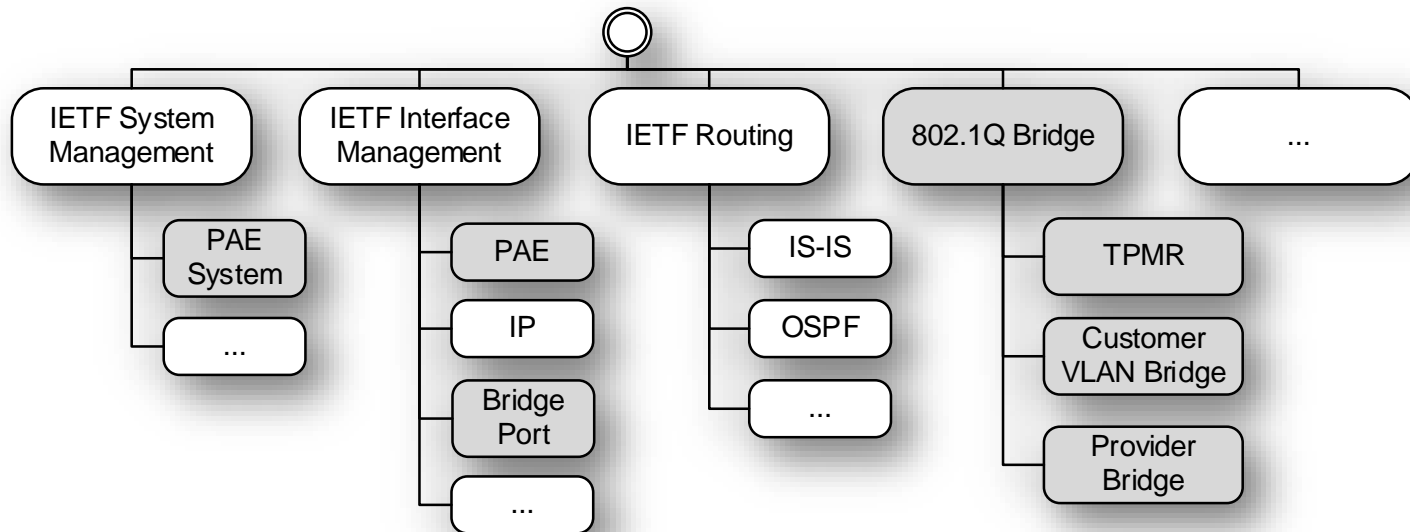


- This package provides “configuration instances” of various aspect of the P802.1Xck version D1.1 YANG modules

802.1 YANG Structure and Relationships

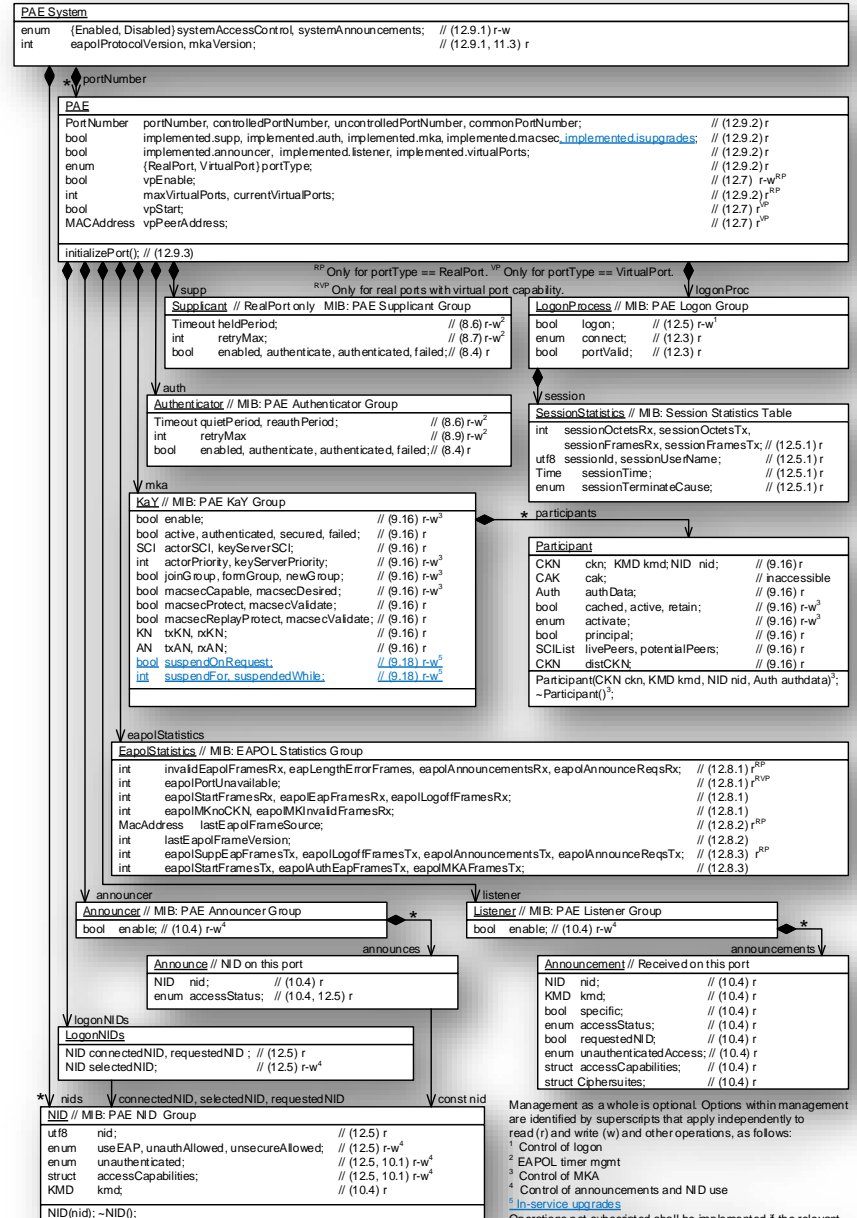


- The following hi-level YANG structure and relationships were defined



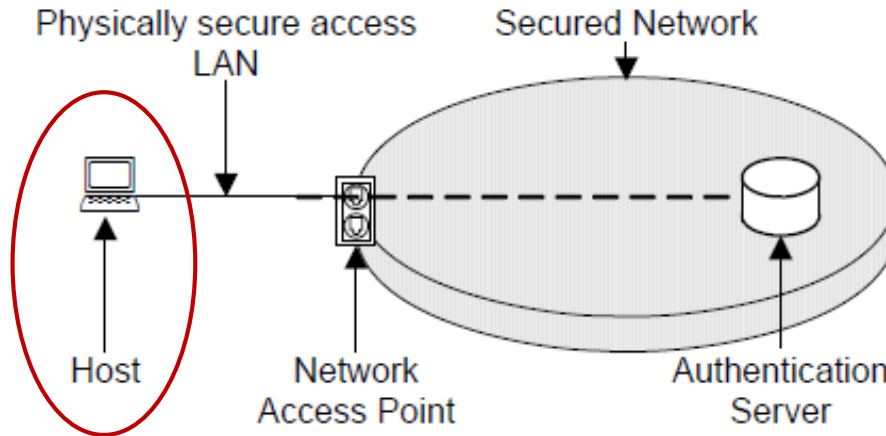
PAE Management Information Model

- The PAE management process controls and monitors the operation of each PAE's component protocol entities and processes, providing access to operational controls, statistics and diagnostic capabilities
- The management information that provides control over and reporting of these capabilities is summarized in the model to the right



Example Host Accessing Network Access Point

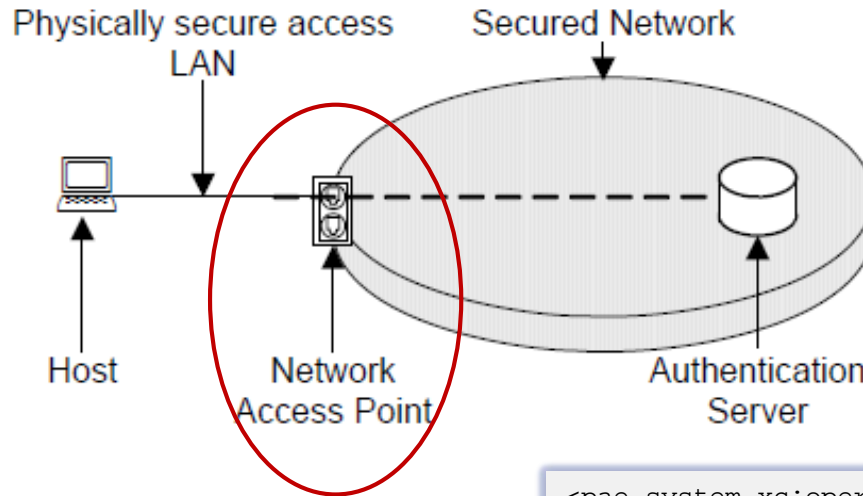
— Physically secure point-to-point LAN



```
<interfaces xc:operation="create">
  <interface>
    <name>if1</name>
    <type>ethernetCsmacd</type>
    <pae>
      <pae-system>aPAESystem</pae-system>
      <port-type>real-port</port-type>
      <port-capabilities>
        <sup>true</sup>
      </port-capabilities>
      <logon-process>
        <logon>true</logon>
      </logon-process>
    </pae>
  </interface>
</interfaces>
```

```
<pae-system xc:operation="create">
  <name>aPAESystem</name>
  <system-access-control>enabled</system-access-control>
  <system-announcements>disabled</system-announcements>
</pae-system>
```

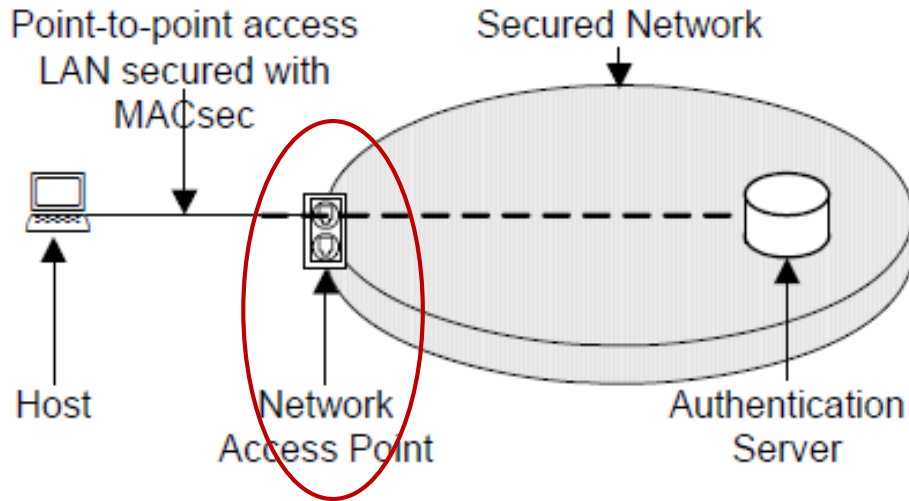
Example Network Access Point supporting Host — Physically secure point-to-point LAN



```
<interfaces xc:operation="create">
  <interface>
    <name>if1</name>
    <type>ethernetCsmacd</type>
    <pae>
      <pae-system>aPAESystem</pae-system>
      <port-type>real-port</port-type>
      <port-capabilities>
        <auth>true</auth>
      </port-capabilities>
      <logon-process>
        <logon>true</logon>
      </logon-process>
    </pae>
  </interface>
</interfaces>
```

```
<pae-system xc:operation="create">
  <name>aPAESystem</name>
  <system-access-control>enabled</system-access-control>
  <system-announcements>disabled</system-announcements>
</pae-system>
```

Example Network Access Point supporting Host — MACsec and point-to-point LAN



```
<pae-system xc:operation="create">
  <name>aPAESystem</name>
  <system-access-control>enabled</system-access-control>
  <system-announcements>disabled</system-announcements>
</pae-system>
```

```
<interfaces xc:operation="create">
  <interface>
    <name>if1</name>
    <type>ethernetCsmacd</type>
    <pae>
      <pae-system>aPAESystem</pae-system>
      <port-type>real-port</port-type>
      <port-capabilities>
        <auth>true</auth>
        <mka>true</mka>
        <macsec>true</macsec>
        <listener>true</listener>
      </port-capabilities>
      <key>
        <enable>true</enable>
      </key>
      <macsec>
        <capable>true</capable>
      </macsec>
      <listener>
        <enable>true</enable>
      </listener>
      <logon-process>
        <logon>true</logon>
      </logon-process>
    </pae>
  </interface>
</interfaces>
```