

Proposal to Add YANG Model to IEEE 802.1AS-rev

Marina Gutiérrez, Astrit Ademaj, Wilfried Steiner

marina.gutierrez@tttech.com

IEEE 802.1 Plenary Meeting
13th March 2017, Vancouver

802.1AS Managed Objects



- Default Parameter Data Set
- Current Parameter Data Set
- Parent Parameter Data Set
- Port Parameter Data Set
- Port Parameter Statistics
- Acceptable Master Table Parameter Data Set

802.1AS Managed Objects

- Default Parameter Data Set
- Current Parameter Data Set
- Parent Parameter Data Set
- Port Parameter Data Set
- Port Parameter Statistics
- Acceptable Master Table Parameter Data Set

802.1AS Managed Objects

- Default Parameter Data Set
- Current Parameter Data Set
- Parent Parameter Data Set
- Port Parameter Data Set
- Port Parameter Statistics
- Acceptable Master Table Parameter Data Set

A blue rounded rectangular button with the text 'TAS Port' in white, sans-serif font.

802.1AS TAS in YANG Hierarchy

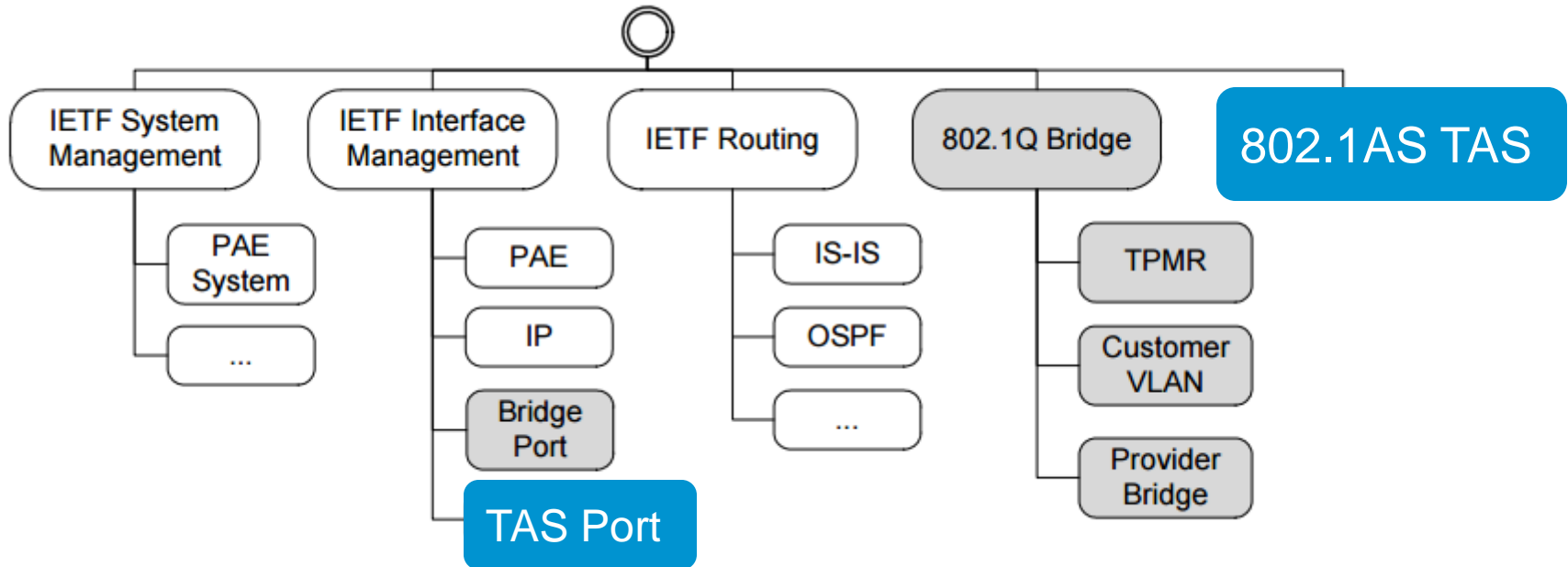
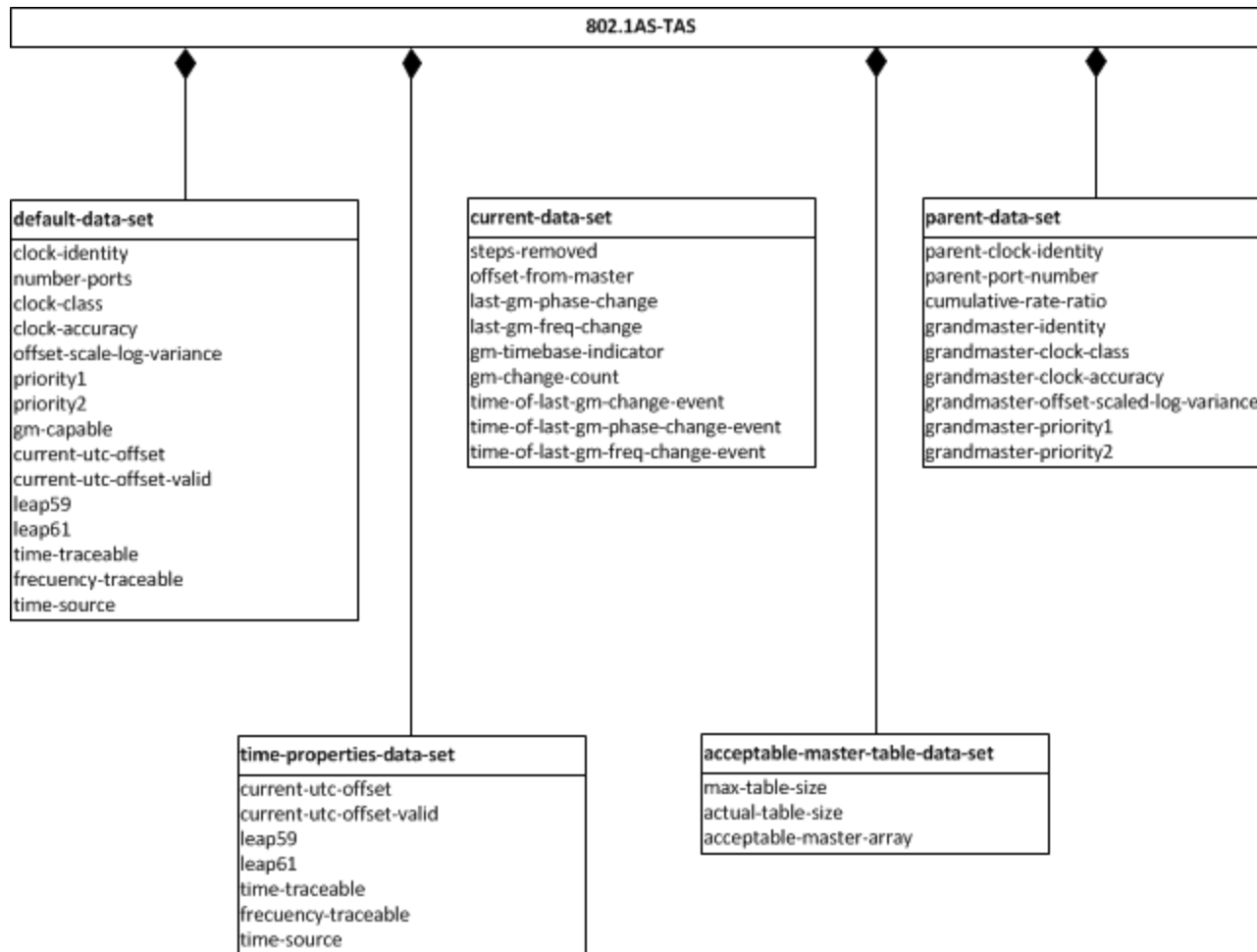


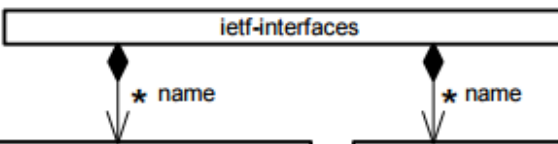
Figure taken from: <http://www.ieee802.org/1/files/private/cp-drafts/d1/802-1Qcp-d1-0.pdf>

802.1AS TAS Model



802.1AS TAS

Interface Model



interfaces		
string	name;	// r-w
string	description;	// r-w
if-type	type;	// r-w
bool	enabled;	// r-w
enum	link-up-down-trap-enable;	// r-w
bridge-port		
string	component-name;	// r-w
int	pvid;	// (12.10.1) r-w
int	default-priority;	// (12.6.2) r-w
struct	priority-regeneration-table;	// (12.6.2, 6.9.4) r-w
enum	pcp-selection;	// (12.6.2, 6.9.3) r-w
struct	pcp-decoding-table;	// (12.6.2) r-w
TAS-port		
clock-identity		
port-number		
port-role		
ptt-port-enabled		
is-measuring-D-delay		
as-capable		
...		

interfaces-state		
string	name;	// r
if-type	type;	// r
enum	admin-status;	// r
enum	oper-status;	// r
date-time	last-change;	// r
int32	if-index;	// r
address	phys-address;	// r
if-ref	* higher-layer-if;	// r
if-ref	* lower-layer-if;	// r
gauge64	speed;	// r
bridge-port-state		
bool	protocol-based-vlan-classification;	// (5.4.1.2) r
int	max-vid-set-entries;	// (12.10.1.1.3) r
int	port-number;	// (13.25, 12.4.2, 12.3.i) r
enum	port-type;	// (12.4.2.1) r
macAddress	address;	// (12.4.2) r
int	capabilities;	// (12.4.2, 12.10.1.1.3) r
int	type-capabilities;	// (12.4.2) r
bool	external;	// (12.4.2) r
bool	oper-point-to-point;	// (12.4.2) r

* local-vid

vid-translations		
int	local-vid;	// (12.10.1.8, 6.9) r-w
int	relay-vid;	// (12.10.1.8, 6.9) r-w

* relay-vid

egress-vid-translations		
int	relay-vid;	// (12.10.1.9, 6.9) r-w
int	local-vid;	// (12.10.1.9, 6.9) r-w

statistics		
date-time	discontinuity-time;	// r
counter64	in-octets, in-unicast-pkts, in-broadcast-pkts, in-multicast-pkts;	// r
counter64	in-discards, in-errors, in-unknown-protos, ;	// r
counter64	out-octets, out-unicast-pkts, out-broadcast-pkts, out-multicast-pkts;	// r
counter64	out-discards, out-errors;	// r
bridge-port-statistics		

TAS-port-statistics		
rx-sync-count		
rx-follow-up-count		
...		

NOTE: Items shaded in gray indicate e...

Summary



- Proposal to add YANG model to IEEE 802.1AS-rev
- Initial structure of the model based on IEEE 802.1AS-2011 managed objects