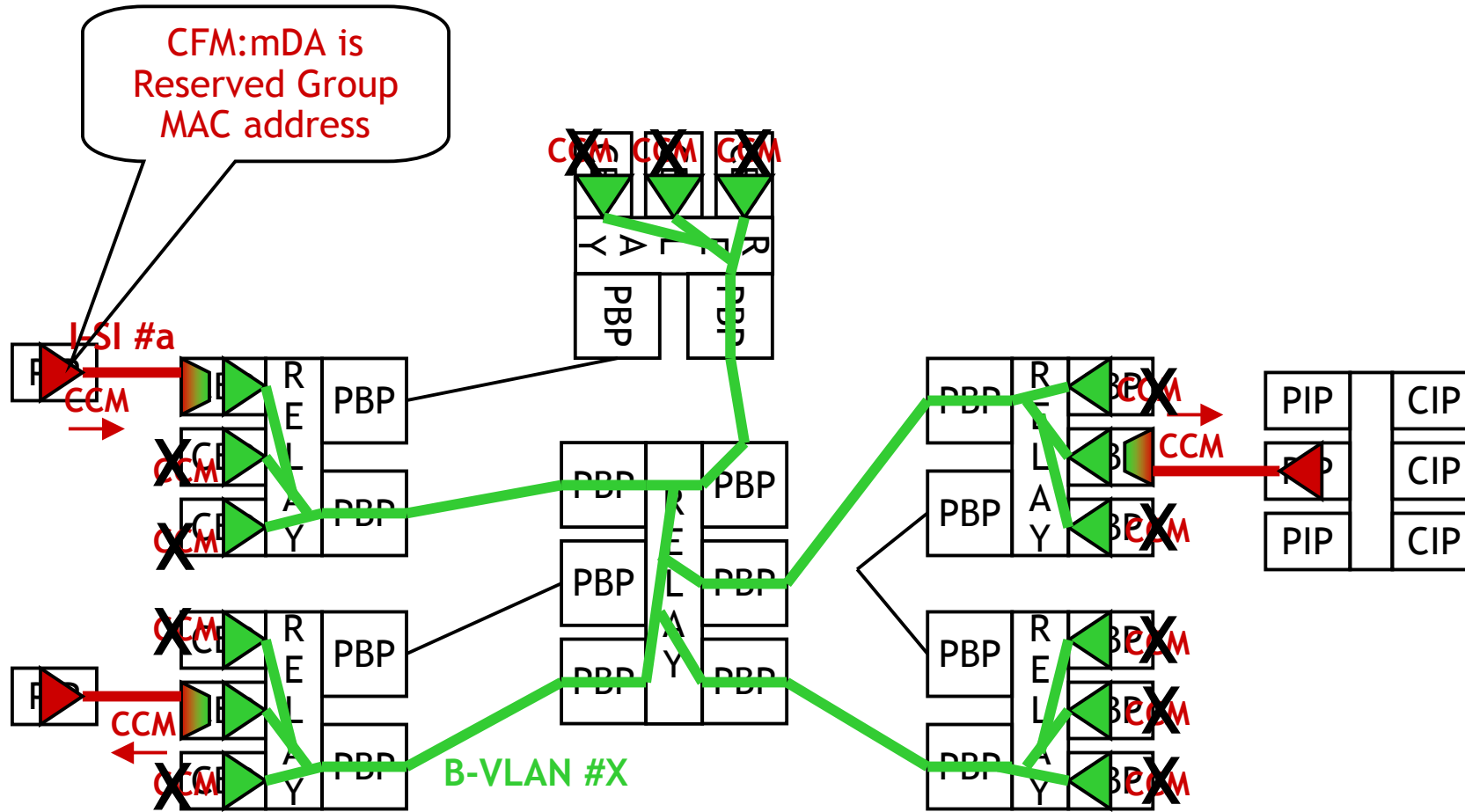


# mp2mp - single PBBN

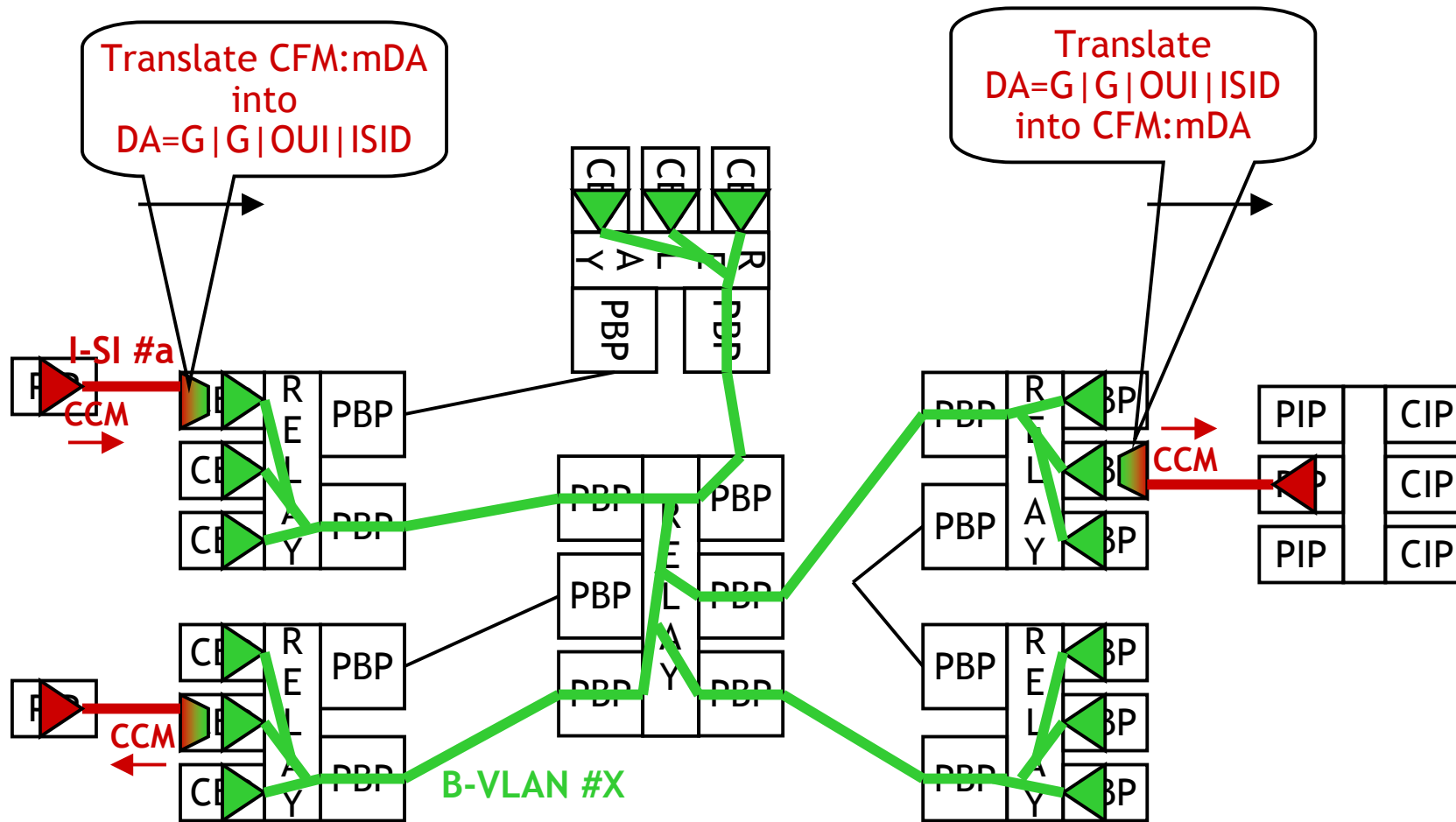
## CCM



**I-SI #a CCM is flooded to all B-VLAN #X egress ports located on CBPs**  
**Most CBPs discard received I-SI #a CCMs**

# mp2mp - single PBBN

## CCM

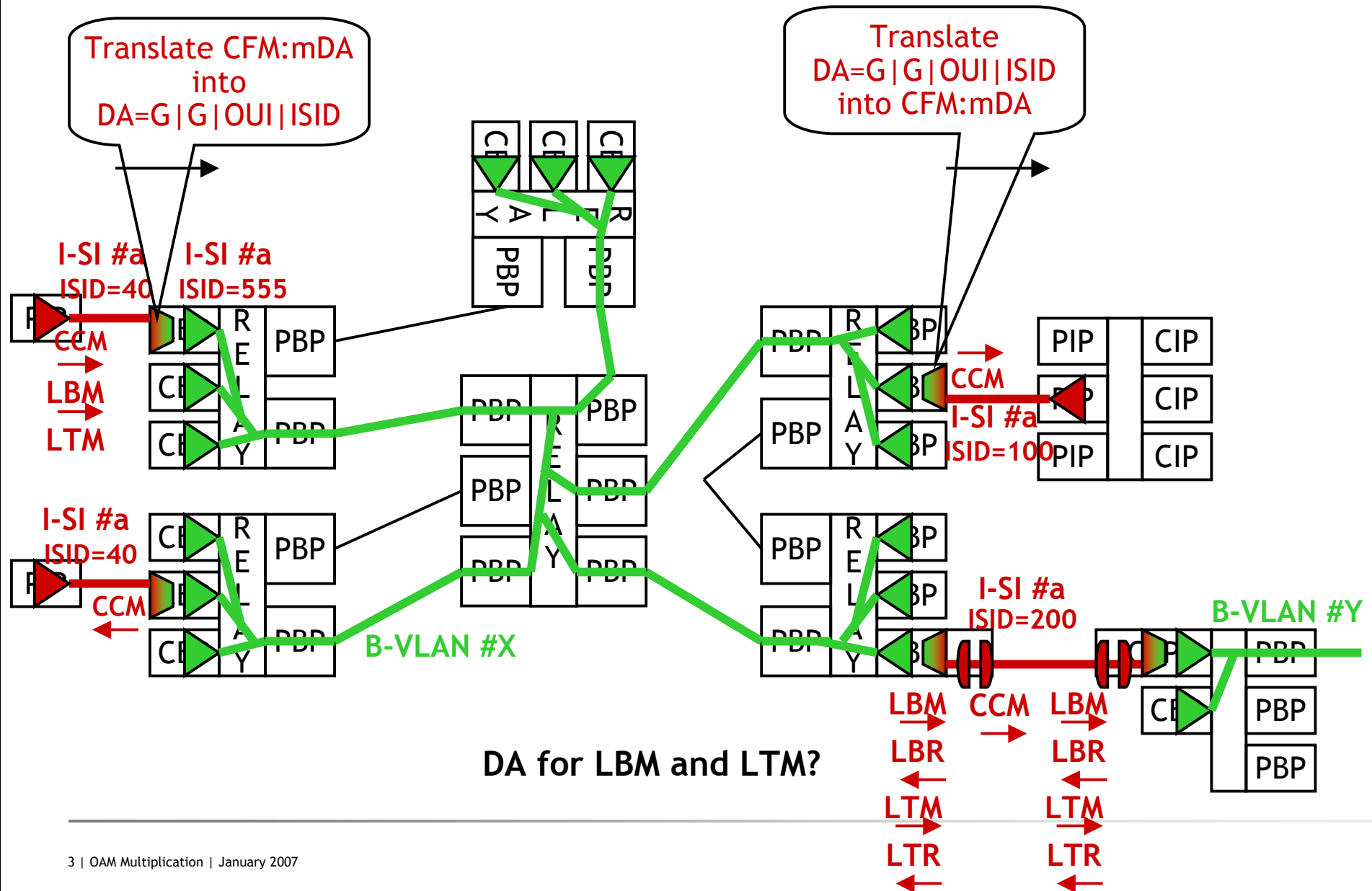


**Prevent I-SI #a CCM flooding in B-VLAN #X**

- replace CFM Group MAC address by I-SI specific Group MAC address within B-VLAN scope (note: no longer MD level encoding in CFM:mDA possible!)
- register I-SI specific Group MAC address within B-VLAN Relays (potential scalability issue)

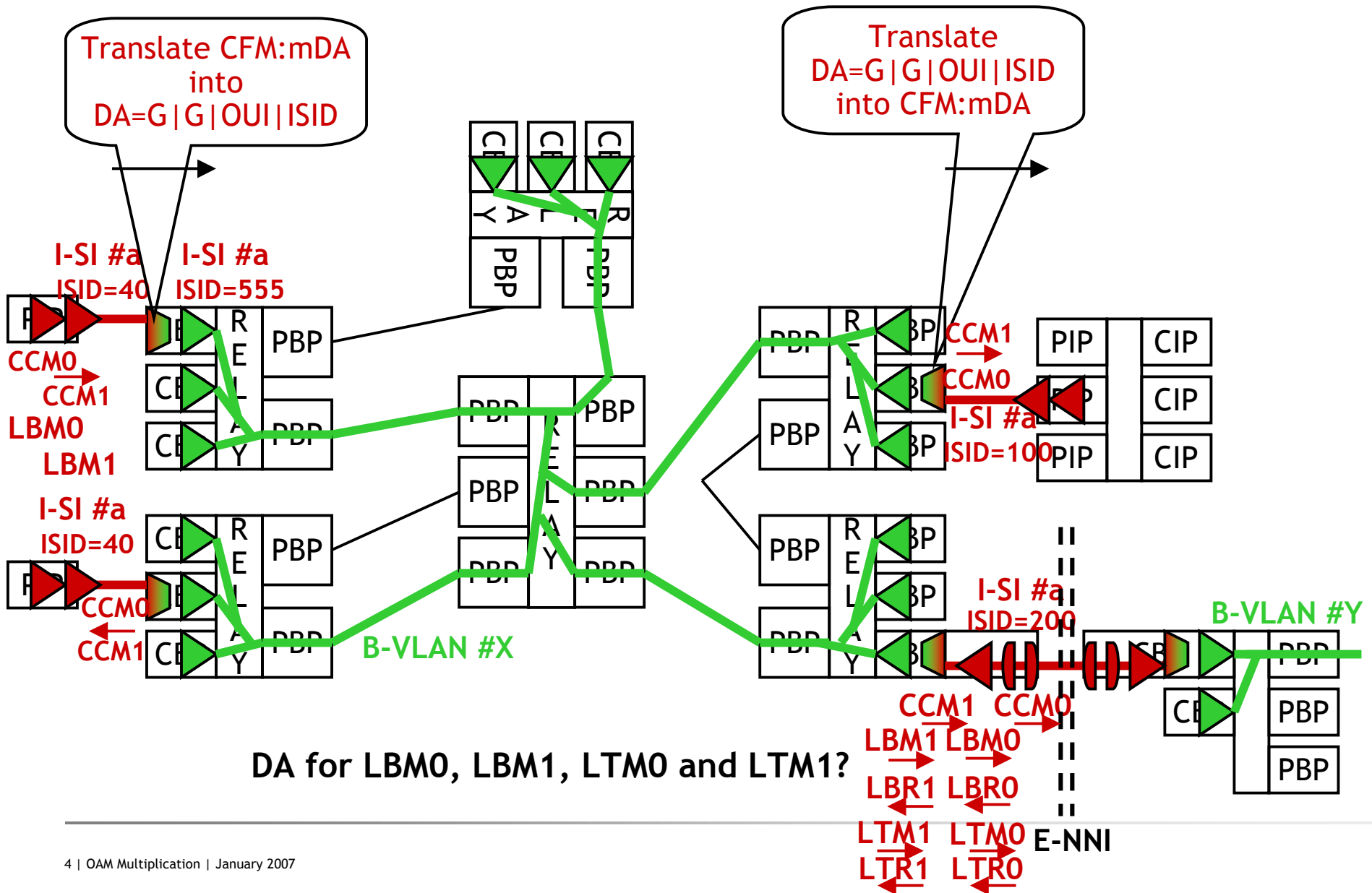
# mp2mp - multi PBBN, single carrier

CCM, LBM, LTM



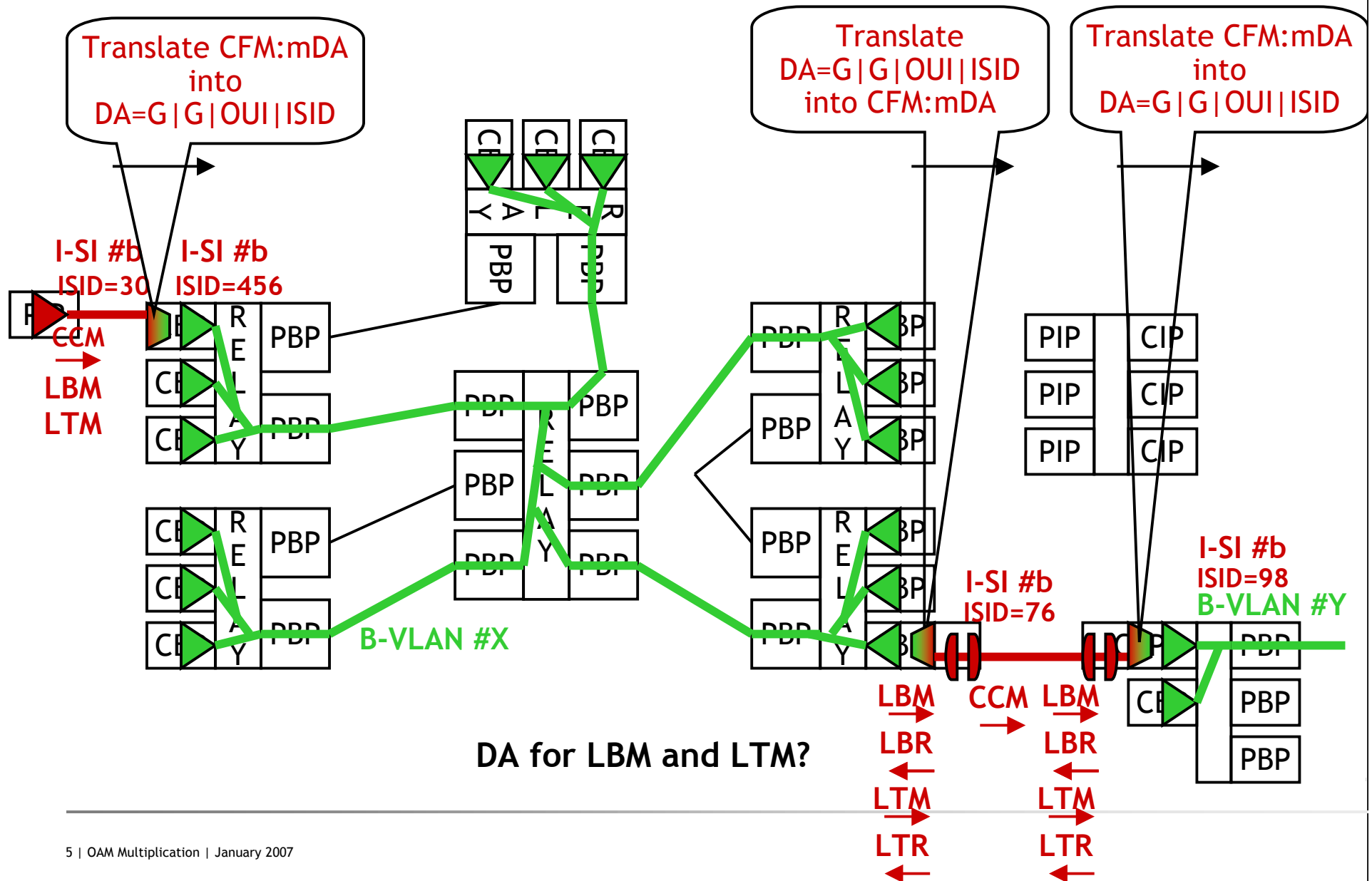
mp2mp - multi PBBN, multiple carriers

CCM0, LBM0, LTM0, CCM1, LBM1, LTM1 (“0”: level 0, “1”: level 1)



p2p - multi PBBN, single carrier

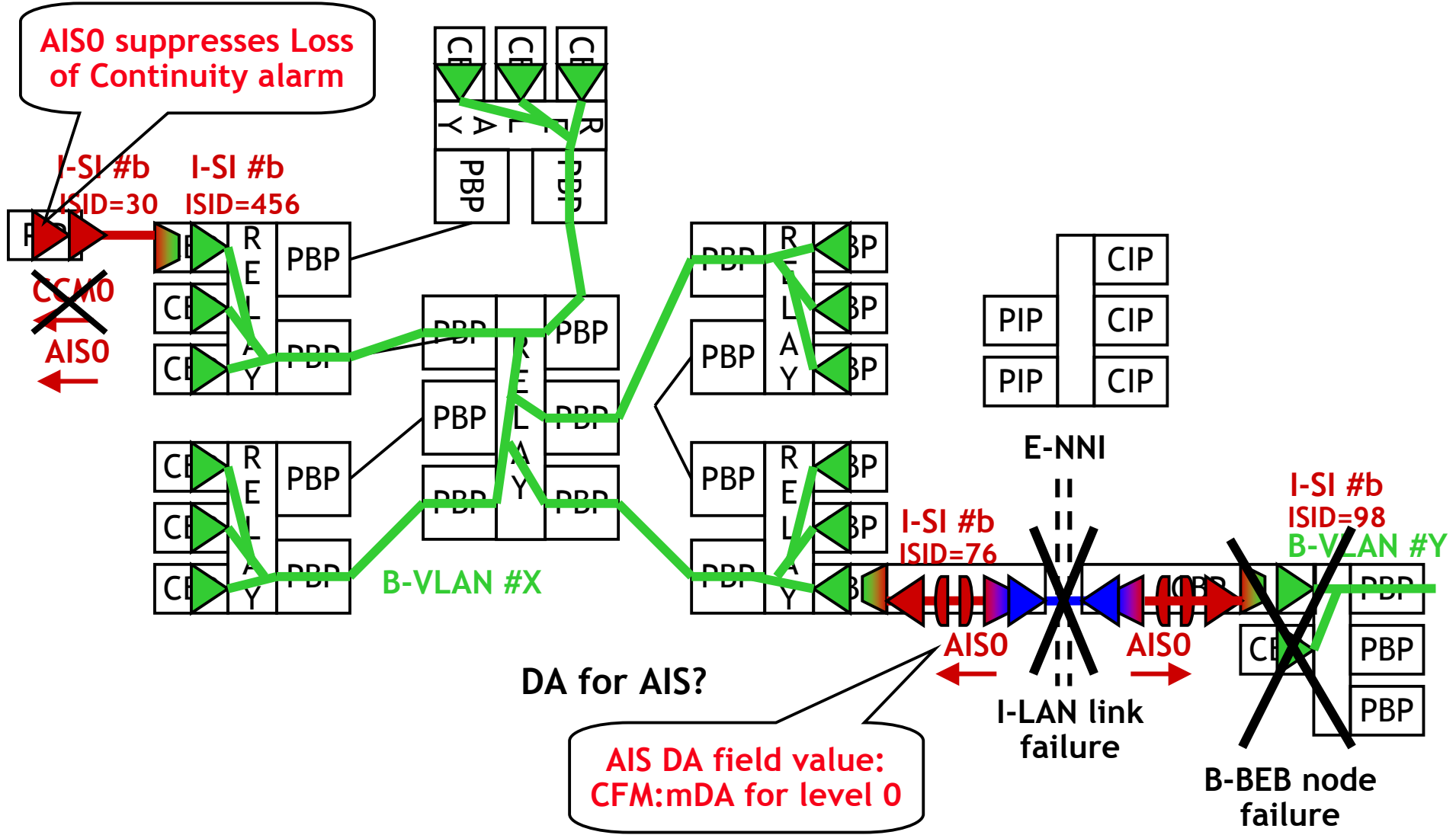
CCM, LBM, LTM



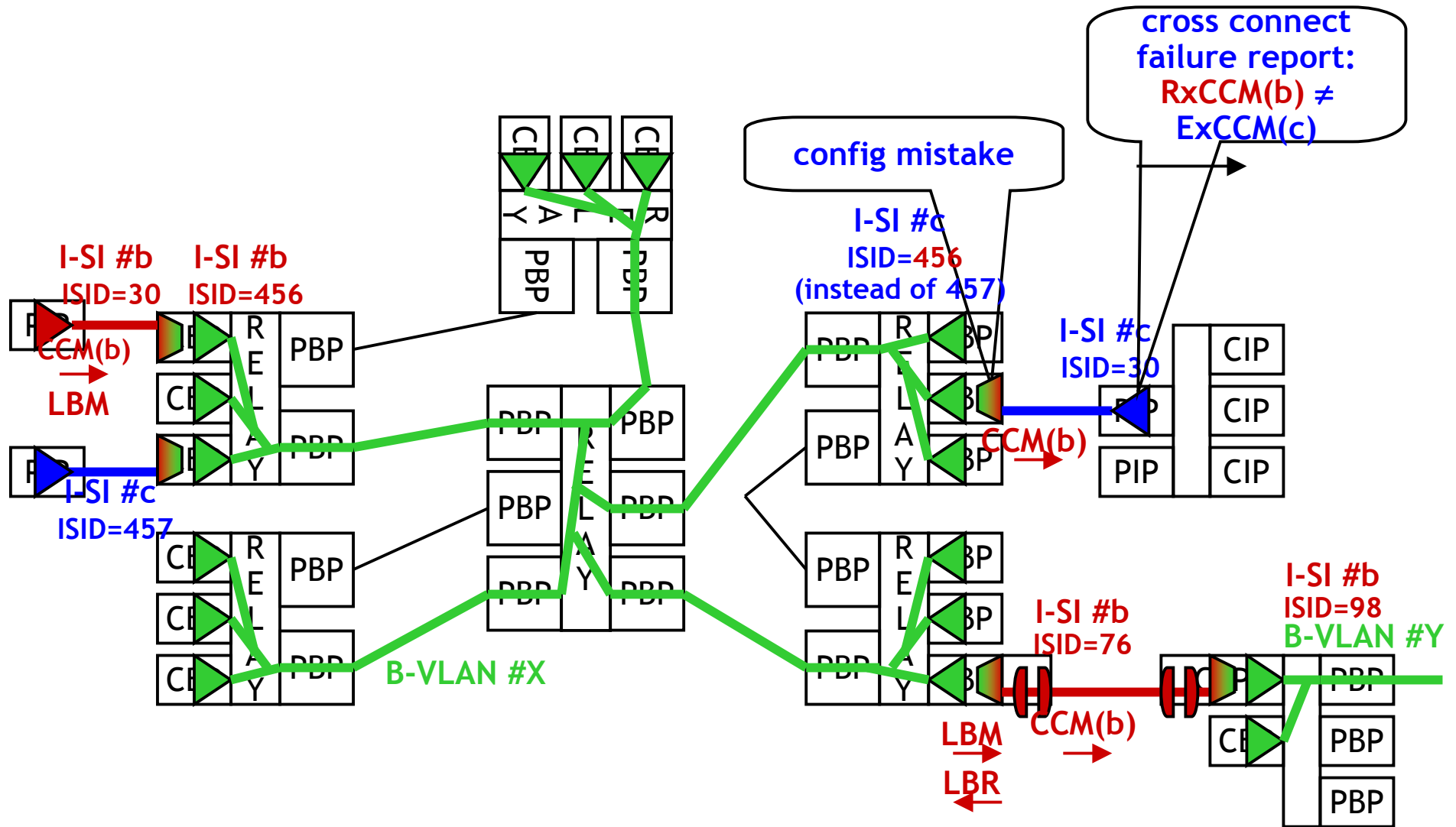


p2p - multi PBBN, multiple carriers

I-LAN link failure or B-BEB node failure → AIS (Y.1731)



p2p - multi PBBN, single carrier  
 configuration mistake in I-SID Translation





p2p - multi PBBN, multiple carriers  
 configuration mistake in I-SID Translation

