

# PB I-TAG Interface

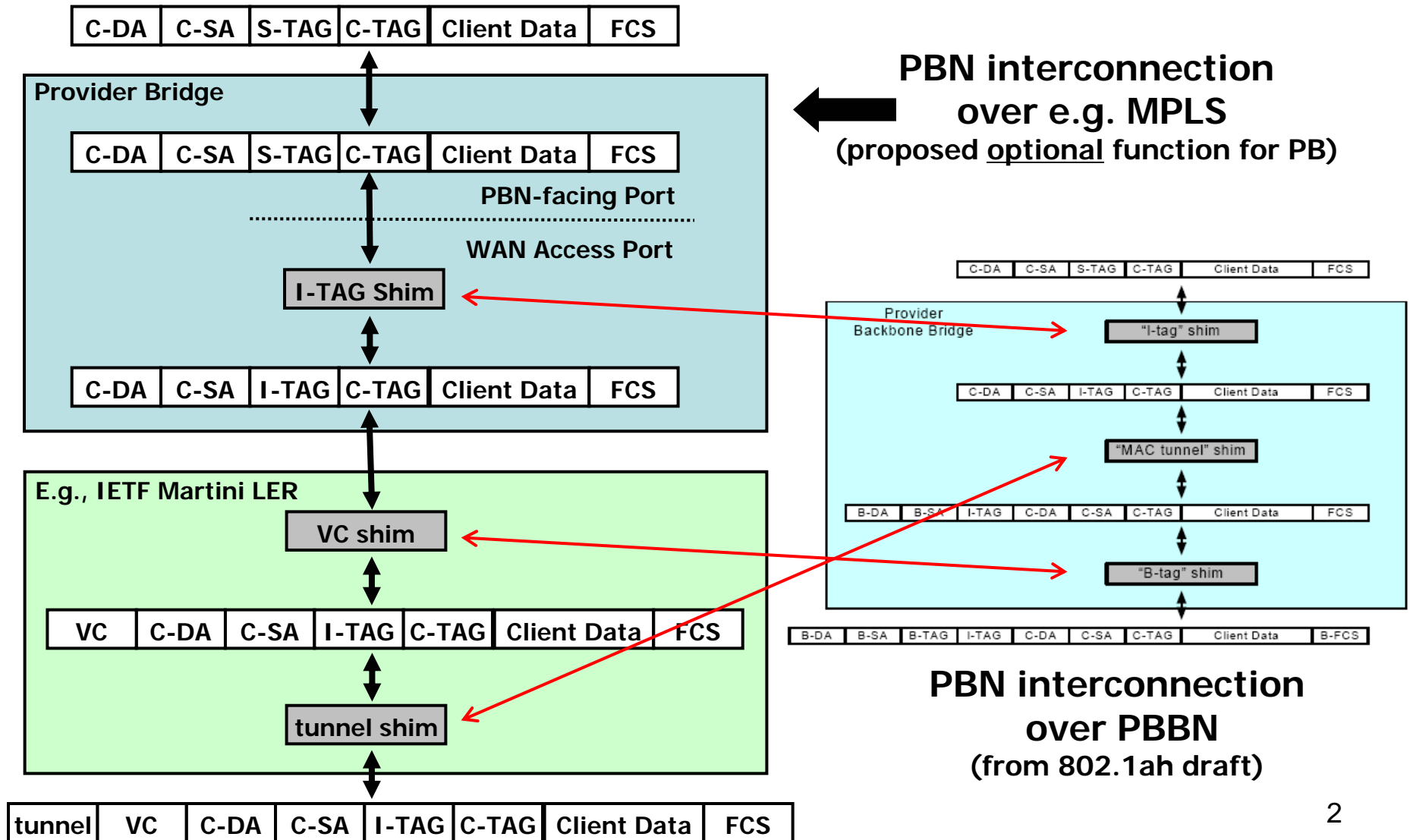
PAR amending P802.1ad to optionally support PBN  
interconnection across non-802 WAN media

Bob Sultan

[bsultan@futurewei.com](mailto:bsultan@futurewei.com)

November 2005

# Role of PB I-TAG Interface



# PAR for PB I-TAG Interface

- 1. Providers will interconnect PBNs across MPLS, V-Switch and other non-802.1ah technology.**
- 2. Do not want overhead of MAC encapsulation and BVID when not needed.**
- 3. Do not want to deploy 802.1 PBB (edge) just to get SVID/ISID mapping.**
- 4. Alternative is making MAC encapsulation and BVLAN MUX optional in 802.1ah, but prefer not to impact 802.1ah progress.**
  - If necessary optionality is already explicit in 802.1ah, this request will be withdrawn.**