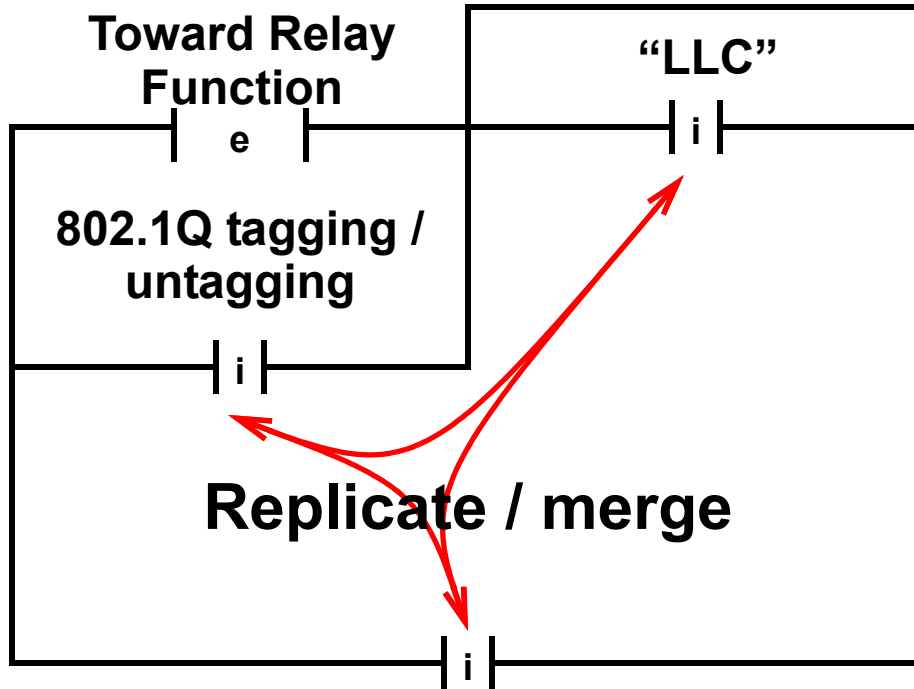
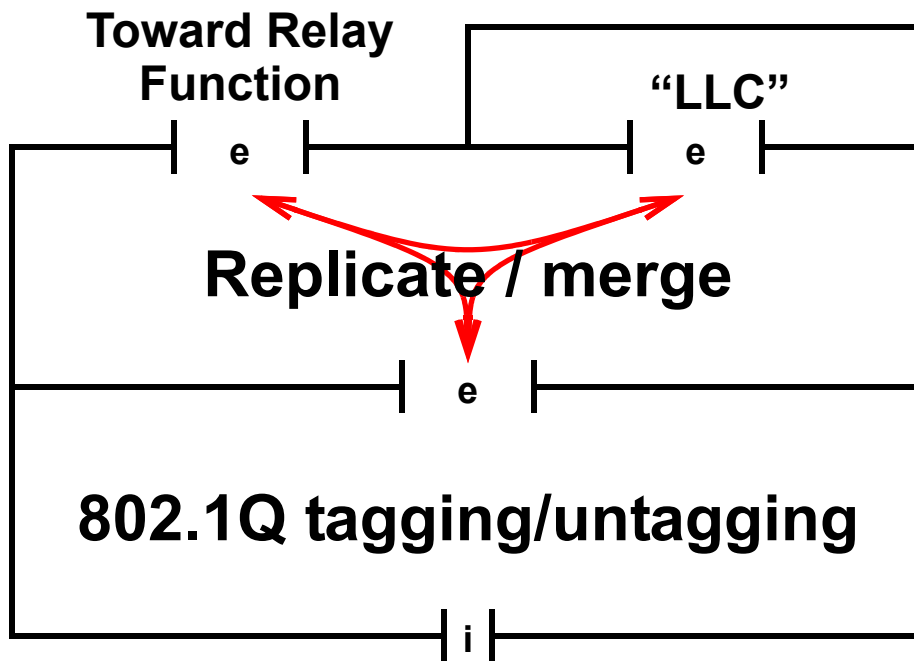


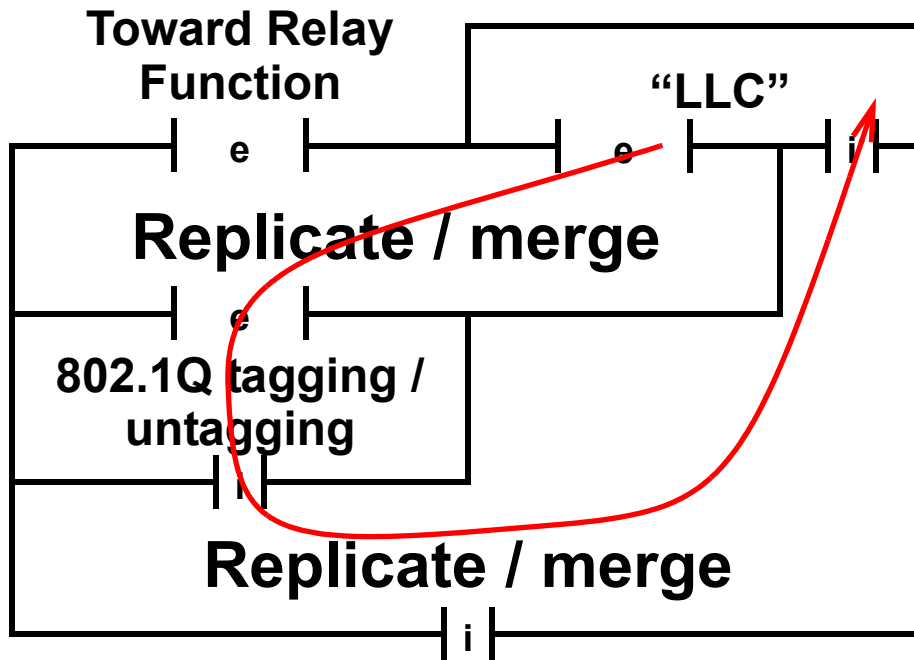
This version doesn't allow for an EISS to the upper layers (brain):



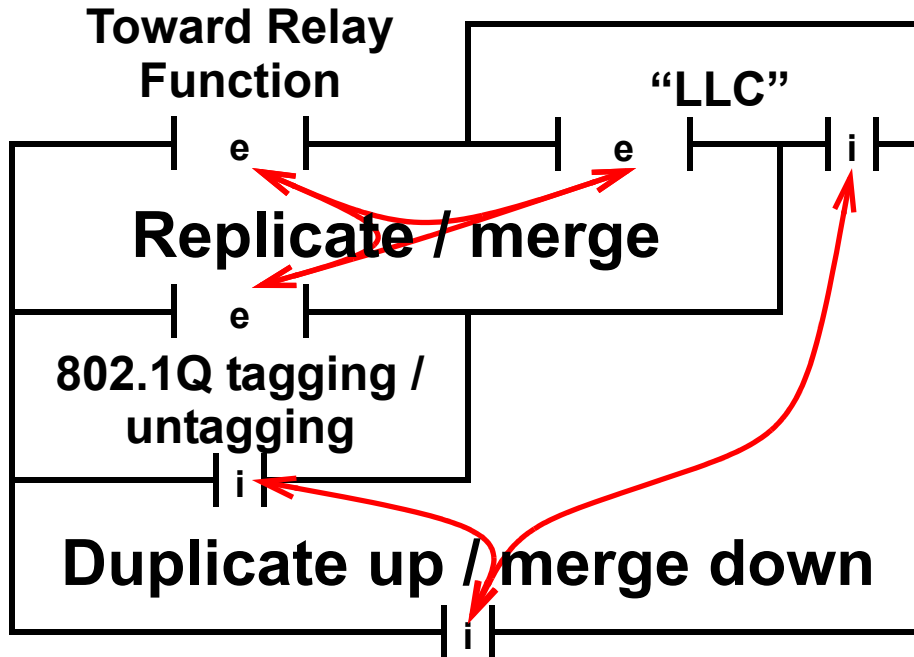
The LLC has no access to the "raw" data stream except by using VLAN 0 or 0xFFF to mean, "untagged" in the tagging/untagging function. Worse, the LLC cannot enforce the rule that BPDUs be untagged:



This version is rather complex:, but loops back emitted LLCs!



But, we can fix this:



Now, we add the AIS CF. Horribly complex, but it seems to do the right thing. Can it be simplified?:

