

TR-143

Enabling Network Throughput Performance Tests and Statistical Monitoring

Issue: 1 Amendment 1
Issue Date: December 2014

Notice

The Broadband Forum is a non-profit corporation organized to create guidelines for broadband network system development and deployment. This Broadband Forum Technical Report has been approved by members of the Forum. This Broadband Forum Technical Report is not binding on the Broadband Forum, any of its members, or any developer or service provider. This Broadband Forum Technical Report is subject to change, but only with approval of members of the Forum. This Technical Report is copyrighted by the Broadband Forum, and all rights are reserved. Portions of this Technical Report may be copyrighted by Broadband Forum members.

THIS SPECIFICATION IS BEING OFFERED WITHOUT ANY WARRANTY WHATSOEVER, AND IN PARTICULAR, ANY WARRANTY OF NONINFRINGEMENT IS EXPRESSLY DISCLAIMED. ANY USE OF THIS SPECIFICATION SHALL BE MADE ENTIRELY AT THE IMPLEMENTER'S OWN RISK, AND NEITHER the Forum, NOR ANY OF ITS MEMBERS OR SUBMITTERS, SHALL HAVE ANY LIABILITY WHATSOEVER TO ANY IMPLEMENTER OR THIRD PARTY FOR ANY DAMAGES OF ANY NATURE WHATSOEVER, DIRECTLY OR INDIRECTLY, ARISING FROM THE USE OF THIS SPECIFICATION.

Broadband Forum Technical Reports may be copied, downloaded, stored on a server or otherwise re-distributed in their entirety only, and may not be modified without the advance written permission of the Broadband Forum.

The text of this notice must be included in all copies of this Broadband Forum Technical Report.

TR Issue History

Issue Number	Approval Date	Publication Date	Issue Editor	Changes
1	May 2008		Tim Spets, Westell Larry Jones, Verizon Richard Jia, Verizon Greg Bathrick, PMC-Sierra	Original
Corrigendum 1	December 2008		Tim Spets, Westell	Remove TCOpenRequestTime and TCOpenResponseTime from Download and Upload profiles to fix editorial mistake. Also 2 typos fixed. Replaces TR-143 Issue 1 (May 2008)
Amendment 1	1 December 2014	11 February 2015	Sharam Hakimi, EXFO Steve Nicolai, Arris	Added: UDPEchoPlus client initiated testing. Time base in addition to file size, Multi Threading/Connections. Server Diagnostics. IPv4/IPv6 protocol selection.

Comments or questions about this Broadband Forum Technical Report should be directed to help@broadband-forum.org.

Editors	Sharam Hakimi	EXFO	sharam.hakimi@exfo.com
	Steven Nicolai	Arris	steven.nicolai@arrisi.com
BroadbandHome WG Chairs	Jason Walls	QA Café	jason@qacafe.com
	John Blackford	Pace	john.blackford@pace.com

TABLE OF CONTENTS

EXECUTIVE SUMMARY 6

1 PURPOSE AND SCOPE 7

 1.1 PURPOSE 7

 1.2 SCOPE 7

2 REFERENCES AND TERMINOLOGY 8

 2.1 CONVENTIONS 8

 2.2 REFERENCES 9

 2.3 DEFINITIONS 9

 2.4 ABBREVIATIONS 10

3 TECHNICAL REPORT IMPACT 11

 3.1 ENERGY EFFICIENCY 11

 3.2 IPV6 11

 3.3 SECURITY 11

 3.4 PRIVACY 11

4 ACTIVE MONITORING 12

 4.1 CPE INITIATED DIAGNOSTICS 13

 4.2 NETWORK INITIATED DIAGNOSTICS 14

 4.3 TIME BASED THROUGHPUT TESTING 15

 4.4 MULTI-THREADING/CONNECTIONS 16

5 PARAMETER DEFINITIONS 17

APPENDIX A: THEORY OF OPERATIONS 18

 A.1 CLIENT AND NETWORK INITIATED UDPECHODIAGNOSTICS 18

 A.1.1 *Introduction* 18

 A.1.2 *Motivation* 18

 A.1.3 *Security Considerations – Network initiated tests* 19

 A.1.4 *UDPEchoPlus Packet format* 19

 A.1.5 *UDPEcho and UDPEchoPlus server setup* 20

 A.1.6 *UDPEchoPlus Client* 20

 A.1.7 *UDPEchoPlus server* 20

 A.1.8 *Performance Metrics examples with UDPEchoPlus* 21

 A.2 DOWNLOADDIAGNOSTICS UTILIZING FTP TRANSPORT 25

 A.3 UPLOADDIAGNOSTICS UTILIZING FTP TRANSPORT 29

 A.4 DOWNLOADDIAGNOSTICS UTILIZING HTTP TRANSPORT 33

 A.5 UPLOADDIAGNOSTICS UTILIZING HTTP TRANSPORT 35

 A.6 TIME BASED FILE TRANSFER (HTTP/FTP) 37

 A.7 USE OF MULTI THREADING/CONNECTIONS 39

 A.7.1 *File Transfer Mode* 39

 A.7.2 *Time Based Transfer Mode* 40

 A.7.3 *Period of Full Loading* 41

 A.8 SERVERSELECTIONDIAGNOSTICS 41

APPENDIX B: TEST RESULTS 42

B.1 UPLOADDIAGNOSTICS AND DOWNLOADDIAGNOSTICS TEST RESULTS 42

B.2 ASYMMETRICAL CONSIDERATIONS 43

List of Figures

Figure 1 Performance Testing Components 12

Figure 2 CPE DownloadDiagnostics using HTTP transport. 14

Figure 3 UDPEchoPlus Event Sequence 24

Figure 4 DownloadDiagnostics using FTP transport..... 28

Figure 5 UploadDiagnostics utilizing FTP transport 32

Figure 6 DownloadDiagnostics utilizing HTTP transport 35

Figure 7 UploadDiagnostics utilizing HTTP transport 37

Figure 8 CPE Time based throughput diagnostics using HTTP/FTP transport..... 38

Figure 9 Time Based Multi Thread/Connection Testing 40

Figure 10 Multi Thread/Connection Total/Full Loading Time Duration 41

List of Tables

Table 1 Enabling Network Throughput Performance Tests and Statistical Monitoring Versions 17

Table 2 Enabling Network Throughput Performance Tests and Statistical Monitoring Object Usage..... 17

Table 3 UDPEchoPlus packet format 19

Table 4 Statistics and Protocol layer reference for FTP DownloadDiagnostics..... 26

Table 5 Statistics and Protocol layer reference for FTP UploadDiagnostics..... 29

Table 6 Statistics and Protocol layer reference for HTTP DownloadDiagnostics..... 33

Table 7 Statistics and Protocol layer reference for HTTP UploadDiagnostics 35

Table 8 Diagnostics Test Results 42

Executive Summary

TR-143 Issue 1 Amendment 1 defines the CPE data model objects for Network Service Providers to initiate performance throughput tests and monitor data on the IP interface of a CPE using the Diagnostic mechanism defined in TR-069 [1].

The Network Service Provider provides network infrastructure and services to its customers, these include Content Service Providers who source the information and end users who consume that information. In order to minimize the downtime of network services, the Network Service Provider needs tools to enable monitoring the performance of the network continuously to prevent problems from occurring and diagnose the problem when it occurs.

The architecture of TR-069 [1] enables device management with the CPE devices both at the customer's gateway, and with devices within the customer's office/home network. The diagnostic and monitoring objects provided with TR-143 Issue 1 Amendment 1 will assist the Network Service Provider in determining whether the problem occurs in the Network Service Provider's network or the customer's office/home network.

1 Purpose and Scope

1.1 Purpose

As broadband Network Service Providers endeavor to provide quantitative QoS and/or qualitative QoS distinctions, they require some means of baselining nominal service levels and validating such QoS objectives. Active Monitoring of the broadband access network represents one important tool for achieving this objective. The key benefit of Active Monitoring is that it allows the network operator to characterize the performance of end-to-end paths and/or path segments depending on the scope of the probing. An example use case is to perform active tests between the subscriber CPE and a Network Test Server located at the Network Service Provider's Point of Presence (POP). This scenario gives the Network Service Provider the ability to measure the contribution of the Network Service Provider network (i.e. the portion of the end-to-end path under the provider's control) to the overall user experience (which is dictated by the composite effect of the segments their applications traverse end-to-end). A natural extension of this use case is to place Network Test Servers at multiple locations in the subscriber path towards the provider's Internet Peering Point. Moreover, Active Monitoring enables the measurement of performance metrics conducive to establishing Service Level Agreements for guaranteed and business class service offerings.

The throughput tests proposed in this Technical Report are intended to measure the user experience via traffic emulation. Though it is arguable that the user experience can be inferred solely from network performance parameters (e.g. packet loss, packet delay, etc.), network operators can benefit from having the ability to measure user level performance metrics such as transaction throughput and response time in a proactive or an on-demand basis. This Technical Report includes throughput and response time test types in an overall portfolio of Active Monitoring. Such tests inherently account for the nuances and n-th order effects of transport protocol behavior such as TCP flow control by emulating application layer transactions (HTTP, FTP) and explicitly measuring parameters of interest such as transaction throughput, round trip time, and transaction response time. Since the network operator can bound the scope of the measurement segment (e.g. to within a broadband access network or autonomous domain, etc.) these measurements greatly enhance the performance characterization of network segments of interest in a manner most intuitively aligned with the user experience. The set of test transaction types here is extensible to other transaction types.

1.2 Scope

This Technical Report defines an Active Monitoring test suite which can be leveraged by Network Service Providers to monitor and/or diagnose the state of their broadband network paths serving populations of subscribers who utilize TR-069 compliant CPE. Active Monitoring supports both Network Initiated Diagnostics and CPE Initiated Diagnostics for monitoring and characterization of service paths in either an ongoing or on-demand fashion. These generic tools provide a platform for the validation of QoS objectives and Service Level Agreements.

This Technical Report introduces a Network Test Server, which is a conceptual endpoint for the testing described herein. Operation of this server is out of scope for this Technical Report.

2 References and Terminology

2.1 Conventions

In this Technical Report, several words are used to signify the requirements of the specification. These words are always capitalized. More information can be found in RFC 2119 [6]

MUST	This word, or the term “REQUIRED”, means that the definition is an absolute requirement of the specification.
MUST NOT	This phrase means that the definition is an absolute prohibition of the specification.
SHOULD	This word, or the term “RECOMMENDED”, means that there could exist valid reasons in particular circumstances to ignore this item, but the full implications need to be understood and carefully weighed before choosing a different course.
SHOULD NOT	This phrase, or the phrase "NOT RECOMMENDED" means that there could exist valid reasons in particular circumstances when the particular behavior is acceptable or even useful, but the full implications need to be understood and the case carefully weighed before implementing any behavior described with this label.
MAY	This word, or the term “OPTIONAL”, means that this item is one of an allowed set of alternatives. An implementation that does not include this option MUST be prepared to inter-operate with another implementation that does include the option.

2.2 References

The following references are of relevance to this Technical Report. At the time of publication, the editions indicated were valid. All references are subject to revision; users of this Technical Report are therefore encouraged to investigate the possibility of applying the most recent edition of the references listed below.

A list of currently valid Broadband Forum Technical Reports is published at www.broadband-forum.org.

Document	Title	Source	Year
[1] TR-069 Amendment 5	CPE WAN Management Protocol	BBF	2013
[2] TR-098 Amendment 2	Internet Gateway Device Version 1.1 Data Model for TR-069	BBF	2008
[3] TR-106 Amendment 7	Data Model Template for TR-069-Enabled Devices	BBF	2013
[4] RFC 862	Echo Protocol	IETF	1983
[5] RFC 959	File Transfer Protocol	IETF	1985
[6] RFC 2119	Key words for use in RFCs to Indicate Requirement Levels	IETF	1997
[7] RFC 2616	Hypertext Transfer Protocol -- HTTP/1.1	IETF	1999
[8] RFC 3393	IP Packet Delay Variation Metric for IP Performance Metrics (IPPM)	IETF	2002
[9] RFC 3449	TCP Performance Implications of Network Path Asymmetry	IETF	2002
[10] RFC 4291	IP Version 6 Addressing Architecture	IETF	2006
[11] RFC 6349	Framework for TCP Throughput Testing	IETF	2011
[12] TR-181i2a9	Device Data Model for TR-069	BBF	2013

2.3 Definitions

The following terminology is used throughout this Technical Report.

Active Monitoring	Actively transmitting or receiving data in a controlled test.
Content Service Provider	Provides services to the customer premise via the Network Service Provider Network.
Internet Peering Point	A location within the Network Service Provider network where the Network Test Server is placed.
Network Service Provider	Provides the broadband network between the customer premise and the Internet.
Network Test Server	Peer testing endpoint for the CPE within the Network Service Provider network.

Quality of Service	Quality of service is the ability to provide different priority to different applications, users, or data flows, or to guarantee a certain level of performance to a data flow.
Service Level Agreement	An agreement between the Network Service Provider and the Content Service Provider to insure Quality of Service.
UDP Echo Service	Services that ‘echoes’ a UDP packet back to the originator.
UDP Echo Plus Service	Extension to UDP Echo Service defined in RFC 862 [4]

2.4 Abbreviations

This Technical Report defines the following abbreviations:

CPE	Customer Premise Equipment
DoS	Denial of Service
FTP	File Transfer Protocol
HTTP	Hypertext Transfer Protocol
ICMP	Internet Control Message Protocol
IPDV	IP Delay Variation
POP	Point of Presence
QoS	Quality of Service
RG	Residential Gateway
TCP	Transmission Control Protocol
TR	Technical Report
UDP	User Datagram Protocol
WG	Working Group

3 Technical Report Impact

3.1 Energy Efficiency

TR-143 Amendment 1 has no impact on energy efficiency.

3.2 IPv6

TR-143 Amendment 1 supports IPv6 [10] addressing.

3.3 Security

TR-143 Amendment 1 has no impact on security.

3.4 Privacy

Any issues regarding privacy are not affected by TR-143 Amendment 1.

4 Active Monitoring

Active Monitoring is described by the introduction of controlled traffic diagnostic suites that are network layer centric and are agnostic to the underlying access network. Diagnostics that use standard TCP and UDP based protocols and are controlled through diagnostic objects can be applied to any CPE device. The remote endpoints can be placed throughout the Provider network at strategic locations to determine possible points of network congestion or fault. Active Monitoring can also be used to characterize the quality of paths in the broadband access network. TR-143 amendment 1 defines a basic monitoring architecture that can provide some operational experience in CPE based monitoring to be refined, and expanded upon in future releases

The UDPEchoPlus test is a UDPEcho as defined in RFC 862 [4] with the addition of performance specific fields in the payload. The UDPEchoPlus payload allows for time-stamping and sequencing to support additional inferences on packet loss and jitter beyond the capabilities of the standard UDPEcho. Using UDPEchoPlus packets as probes, the UDPEchoPlus test provides a sampling based monitoring approach.

The CPE Upload and Download Diagnostic throughput test simulates the client behavior in the client/server paradigm performing an FTP or HTTP transaction to a corresponding remotely located FTP or HTTP server. The CPE throughput tests provides a bulk and time based transfer based measurement approach, to perform throughput and response time measurements for the test initiated (injected) transaction over select network links.

The diagnostic tests are not designed to run in parallel and their results are based on normal traffic occurring on the link and utilizing any remaining bandwidth. Multiple tests may consume excess bandwidth and skew results. Active Monitoring traffic can be generated from a CPE or a Network Testing Server endpoint. Figure 1 is a conceptual diagram that illustrates this.

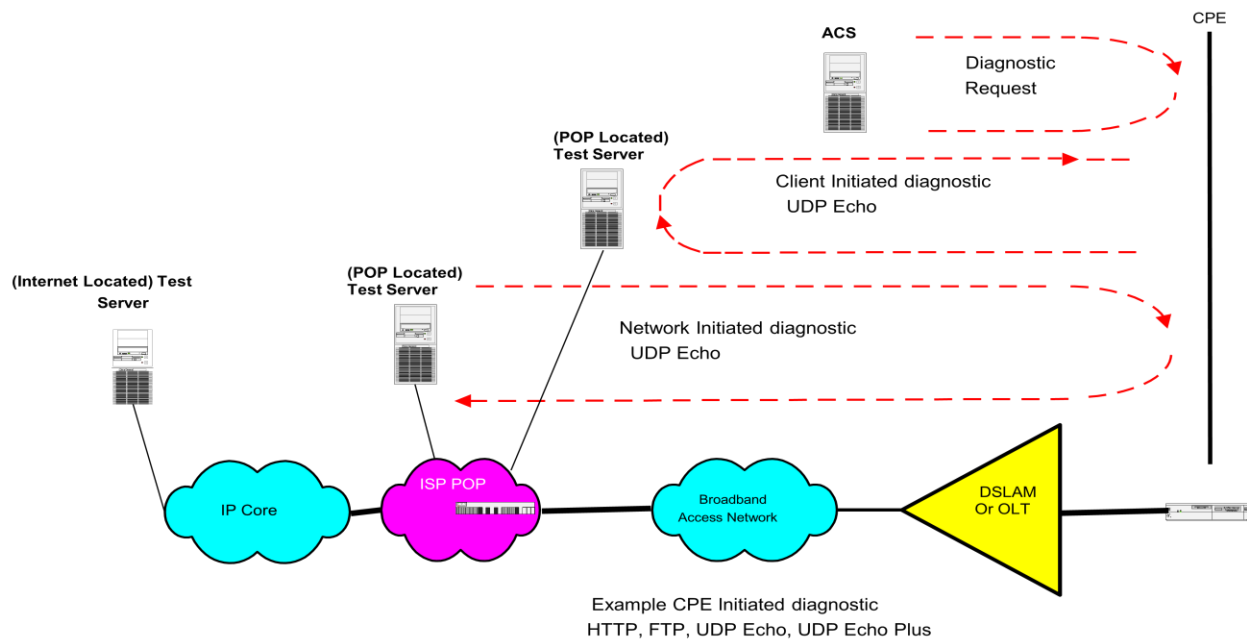


Figure 1 Performance Testing Components

4.1 CPE initiated diagnostics

In a CPE initiated UploadDiagnostics, DownloadDiagnostics, UDPEchoDiagnostics, and UDPEchoPlusDiagnostics, ServerSelectionDiagnostics the following endpoints perform the following functions.

The ACS initiates a diagnostic request (UploadDiagnostics, DownloadDiagnostics, UDPEchoDiagnostics, UDPEchoPlusDiagnostics, ServerSelectionDiagnostics) to the CPE, setting test parameters and initiating the test. The CPE starts the request by sending the necessary test messages to the test server, which will send the correct responses. After receiving the responses the CPE stores the test results

Figure 2 is an example diagram of a DownloadDiagnostics using an HTTP URL.

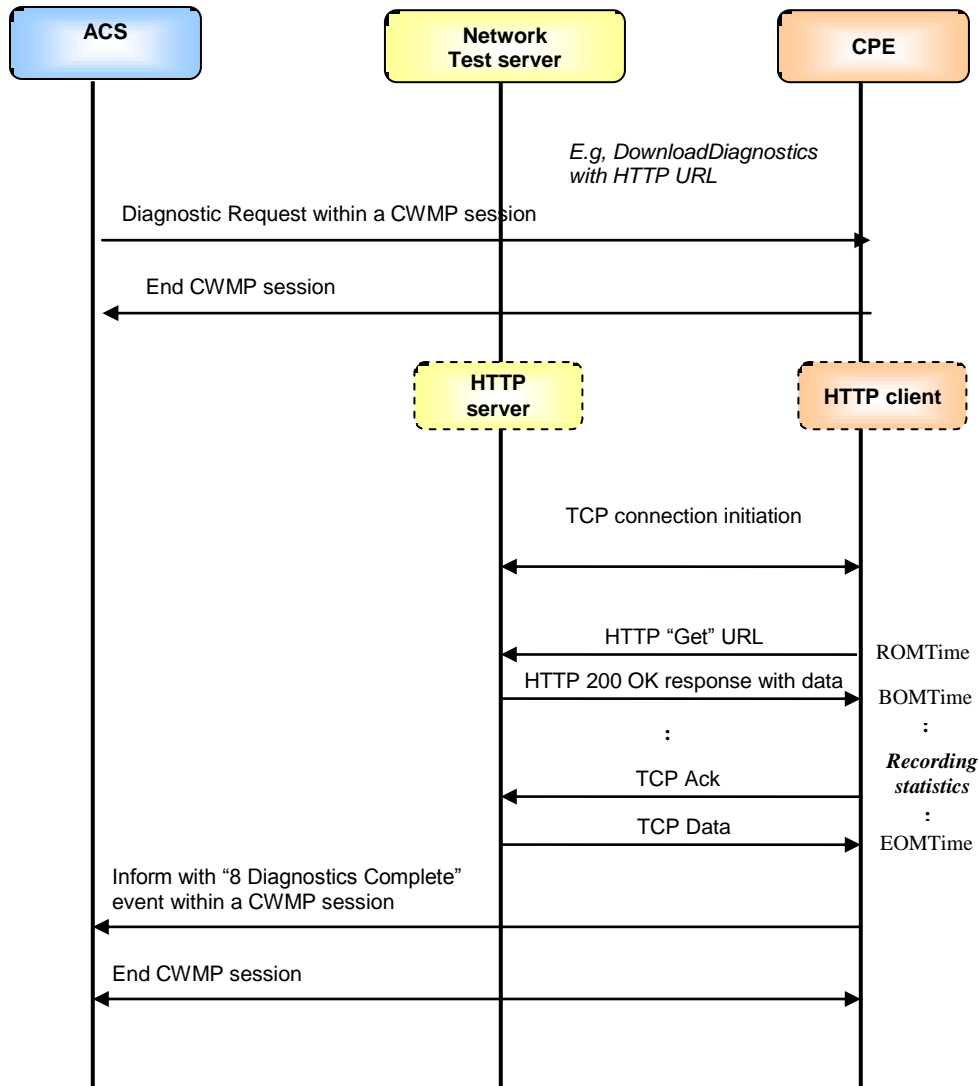


Figure 2 CPE DownloadDiagnostics using HTTP transport.

4.2 Network initiated diagnostics

The Network initiated diagnostics represents an alternative approach to minimize the burden on the ACS for Network Service Providers that want to support continual proactive monitoring of samplings of CPE. For example, dedicated Network Test Servers distributed per serving area can perform Network initiated diagnostics to continually characterize the state of broadband access paths to samplings of subscribers and build performance trends on those paths. For the Network Initiated diagnostics model, the ACS would first need to enable the CPE to function as a server (UDPEchoConfig). For security the source IP address of the Network Test are the only requests the CPE protocol servers will respond to. Defined in A.1, is the UDPEcho tests sourced by the Network Test Server and responded to by the CPE UDPEcho server. In a Network initiated UDPEcho test the following sequence is used to perform the test;

The ACS configures the CPE to enable the UDPEcho server. The Network Test Server initiates the client request, and sends the UDPEcho packets. The CPE UDPEcho server responds to the UDPEcho packets.

4.3 Time based throughput testing

The purpose of time based testing is to accommodate multiple network speeds with a fixed, time duration test. This allows for specifying a specific time for running a specific throughput test and report the results based on the number of bytes transmitted or received during that time.

Three parameters control the operation of the time based test:

TimeBasedTestDuration: Defines the duration of the test (1- 999 seconds).

Note:if (=0) indicates file size transfer.

TimeBasedTestMeasurementInterval: Defines an interval to capture the results while the test is run.

TimeBasedTestMeasurementOffset: Defines the time to begin capturing results after the test has started (to allow for slow start of file transfers).

The client **MUST** stop capturing data in the download test after the specified duration even if the server continues to send data. In the upload case the client must stop sending data after the time duration has expired. The connection **MUST** be closed by the client after the specified time has elapsed. If the connection closes or errors occur during the data transfer time, then the test is not considered successful. Errors after the connection has closed shall be discarded.

For the time based upload case the client will be in control of the duration of time that it sends data to the server. The client will know how many bytes it has transferred during the specified time period for calculating link performance.

For the time based download test, the configured URL may include the duration of time that a server needs to send data to the client. The server would have to adjust the number of required bytes to be sent based on its attached interface speed. A 30 second data transfer at 1Gbps link speed will need 100x data size than a data transfer at 10 Mbps link speed.

The following are examples of communicating the time duration to the targeted server. One way is through a unique file name that can be used to specify the time duration.

A filename having the form:

“**datetimebasedmode_xxx.txt**” may be used, for the download where **xxx** represents an unsigned number of minimum seconds data is requested from the targeted server.

Another approach could be to use either of the following URL formats:

http://<ServerHostName>/<TimeBasePathName>?time=30

ftp://<ServerHostName>/<TimeBasePathName>/30

to communicate the duration that data is expected for the test. This also instructs the server to send data for a minimum of 30 seconds. In either approach, the server is required to send data for at least the requested duration.

4.4 Multi-Threading/Connections

Single TCP connection tests have limitations which do not allow for higher rate throughput testing easily. See RFC 6349 [11] for details. In order to increase the rate that a specific link can be tested, multi-threading/connections capability is being added in TR-143 Amendment 1. This allows for multiple concurrent TCP connections for a single throughput test. These tests can be file sized or time based depending on the chosen mode.

The `DownloadDiagnosticMaxConnections` and `UploadDiagnosticMaxConnections` parameters allow the target device to communicate the maximum number of connections for upload or download that it supports and the `NumberOfConnections` parameter defines the number of connections that should be used to perform the test. The number of connections should not exceed the maximum number of connections that a target device supports with a default value=1. The multi connection option keeps status and results for each connection individually. For a test to be considered successful, all connections specified by the `NumberOfConnections` parameter must be established and all connections must finish the test successfully. Any failure to connect to any of the connections or failure to complete the test by any connection is considered a failure for the test.

5 Parameter Definitions

The normative definition of the **Enabling Network Throughput Performance Tests and Statistical Monitoring** object definitions is done with its own DM Instance documents (see TR-106 [3] Annex A). Table 1 lists the DM Instance documents that had been defined at the time of writing and gives links to the associated XML and HTML files.

Note that, because new minor versions of the data model can be defined without re-publishing this Technical Report, the table is not necessarily up-to-date. An up-to-date version of the table can always be found at <http://www.broadband-forum.org/cwmp>.

Table 1 Enabling Network Throughput Performance Tests and Statistical Monitoring Versions

Version	DM Instance	Technical Report	XML and HTML
1.0	tr-143-1-0.xml	TR-143	http://broadband-forum.org/cwmp/tr-143-1-0.xml http://broadband-forum.org/cwmp/tr-143-1-0.html
1.1	tr-143-1-1.xml	TR-143 Amendment 1	http://broadband-forum.org/cwmp/tr-143-1-1.xml http://broadband-forum.org/cwmp/tr-143-1-1.html

Table 2 shows the usage of the component objects in the root data models:

Table 2 Enabling Network Throughput Performance Tests and Statistical Monitoring Object Usage

TR-143 Version	DM Instance	Root Model
1.0	tr-098-1-2.xml	InternetGatewayDevice:1.4
1.0	tr-106-1-2.xml	Device:1.2
1.0	tr-181-2-0.xml	Device:2.0
1.1	tr-098-1-9.xml	InternetGatewayDevice:1.14
1.1	tr-181-1-7.xml	Device:1.13
1.1	tr-181-2-9.xml	Device:2.9

Appendix A: Theory of Operations

A.1 Client and Network Initiated UDPEchoDiagnostics

A.1.1 Introduction

The UDPEcho Service is defined by RFC 862 [4], UDPEchoPlus utilizes the UDPEcho Service and extends it by additional packet field definitions and new server behaviors. The UDPEcho server utilizes improved security provided by UDPEchoConfig object.

The network initiated test originates from a device on the network and the CPE is the server (responder) and the Client initiated tests originate from the CPE to a server (responder) on the network.

A.1.2 Motivation

The notion of active probe based sampling of network paths and/or path segments has long been established as a viable methodology for making inferences on the state of such paths (and path segments), with regard to link and network layer performance metrics such as packet/frame/cell loss, delay, delay variation and others. A very useful tool for realizing probing and general debugging (such as path continuity and integrity verification), is an echo service. In the link layer context, OAM loopback messages such as defined ITU-T I.610, for the ATM case, have been employed. In the IP context, ICMP echo (i.e. ping) has been widely used for such purposes due to its ubiquitous availability in network routers and hosts. However, the viability of using ping measurements suffers from the fact that many routers process pings with lower priority than actual user packets and may delay or discard ICMP echo requests in a manner that skews the measurement results. The UDPEcho Service is defined at the UDP (or TCP) port level rectifies this issue (unless explicitly port filtered at an intermediate or end host or router). UDPEcho packets traverse the same intermediate nodes and logical queuing paths as the user data traffic of the same class of service. The class of service is dictated by DHCP code bit settings, etc. or other network operator specific criteria.

UDPEchoPlus proposes extensions to UDPEcho for improved monitoring capabilities. UDPEchoPlus is backwards compatible with UDPEcho and devices capable of supporting UDPEchoPlus have no discernable effect on cooperating devices running standard UDPEcho. However, when both cooperating devices are UDPEchoPlus capable, the utility of UDPEcho is extended by the additional information provided in the five data fields specified in Table 1.

UDPEchoPlus provides additional capability beyond UDPEcho Service including:

- The ability to discern which direction packet drops occur (i.e. one way packet loss per each direction).
- One way packet delay variation per each direction.
- Capability of running multi iterations of a test for comparison, averaging or other post collection processing.

A.1.3 Security Considerations – Network initiated tests

A UDPEchoPlus Network initiated test requires the CPE device to respond to the UDPEcho request on the defined interface(s). In order to prevent a DoS (Denial of Service) attack on the CPE, the CPE will only respond to the UDP request from a Source address defined in SourceIPAddress, and will only service the port defined in UDPPort.

A.1.4 UDPEchoPlus Packet format

The UDPEcho Plus packet contains the packet fields specified in Table 3. Each field is 4 bytes (32 bits) each. Timestamps require a continuous wrapping 32 bit (Big Endian) counter that begins on startup and counts in microseconds.

When a UDPEcho Plus capable service receives a standard UDPEcho packet, the UDPEchoPlus server just reflects the request back towards the source with no payload modification.

UDPEcho requests packets have a minimum payload length of 24 bytes with the following parameters in the payload.

Table 3 UDPEchoPlus packet format

Source	Destination Port
Length	Checksum
TestGenSN	
TestRespSN	
TestRespRecvTimeStamp	
TestRespReplyTimeStamp	
TestRespReplyFailureCount	
TestIterationNumber	
Data...	

Note: Older versions that supported 20 bytes will treat the additional 4 bytes required by the TestIterationNumber field as regular data and repeat it back the same as it was transmitted.

- **TestGenSN** – The packet’s sequence number set by the UDP client in the echo request packet, and is left unmodified in the response. It is set to an initial value upon the first requests and incremented by 1 for each echo request sent by the UDP client.
Note the initial value of TestGenSN is implementation specific.
- **TestRespSN** – The UDPEchoPlus server’s count that is incremented upon each valid echo request packet it received and responded to. This count is set to 0 when the UDPEcho server is enabled.
- **TestRespRecvTimeStamp** is set by the UDPEchoPlus server to record the reception time of echo request packet and is sent back to the client in this data field of the echo response packet.

- **TestRespReplyTimeStamp** is set by the UDPEchoPlus server to record the forwarding time of the echo response packet.
- **TestRespReplyFailureCount** is set by the UDPEchoPlus server to record the number of locally dropped echo response packets. This count is incremented if a valid echo request packet is received but for some reason can not be responded to (e.g. due to local buffer overflow, CPU utilization, etc...). It is a cumulative count with its current value placed in all request messages that are responded to. This count is set to 0 when the UDPEcho server is enabled.
- **TestIterationNumber** is the test number set by the UDPEchoPlus client to indicate the specific test iteration number. This number has minimum value of 1 and a maximum value equal to NumberOfRepetitions.

*Note #1: The **TestRespReplyFailureCount** counter will roll over every 71.5 minutes. Every two successive UDPEchoPlus packets used in the same test would need to be sent within that interval for jitter computation (loss computation of course would not have this restriction).*

Note #2: Devices that don't support 1usec timestamp resolution, will still compute the timestamp in microseconds, providing a multiplier. For example a device with 1msec resolution, will increment the 32bit timestamp field in steps of 1000 (instead of steps of 1).

A.1.5 UDPEcho and UDPEchoPlus server setup.

When enabled the UDPEcho or UDPEchoPlus server will accept UDPEcho or UDPEchoPlus packets respectively and perform the specific operation in the following sections. All counters are reset to 0 when enabled.

A.1.6 UDPEchoPlus Client

The UDPEcho client sends packets that match the UDPEchoPlus server configuration (Destination and Source IP address, UDP port). The UDPEchoPlus client controls the provisional settings such as DSCP code point settings, packet size and inter-arrival spacing. The UDPEchoPlus client will place a 32 bit sequence number value, which increments by 1 for each request packet sent, in the **TestGenSN** field of each UDPEchoPlus request.

Note: Unlike Bulk Data transfer tests, the UDPEcho and UDPEchoPlus tests are typically performed to probe the state of the network at low sampling rates. The UDPEcho or Echo Plus request stream is usually generated at a slow enough rate so that it has negligible impact on the workloads seen by the network nodes the Echo packets traverse.

A.1.7 UDPEchoPlus server

After UDPEchoPlus server configuration and enabling, the UDPEchoPlus server waits for the arrival of UDPEchoPlus (or regular UDPEcho) packets. The UDPEchoPlus server determines a valid request by criteria specified in UDPEchoPlusConfig such as the source IP address of the request, transport protocol and destination port number. An example reference behavior for a UDPEchoPlus server is as follows.

1. The UDPEcho server determines that the UDPEchoPlus request is a valid request, if not, the request is ignored.

2. If the “valid echo request” criteria is met, the arrival time of the UDPEchoPlus request (i.e. time the last bit of the packet is read from the media), is time stamped with **TestRespRecvTimeStamp**.
3. The UDPEchoPlus server prepares a UDPEcho response packet with the data from the request packet.
4. If the packet size is large enough to support the UDPEchoPlus data fields, then the first 24 bytes are populated according to Table 1:
 - **TestGenSN** is left unmodified.
 - **TestRespSN** is a sequence number maintained by the server which indicates the number of requests that have been successfully responded to.
 - **TestRespRecvTimeStamp** is the timestamp recorded in step 2.
 - **TestRespReplyTimeStamp** is the timestamp indicating the time the last bit of the response is placed on the physical media.
 - **TestRespReplyFailureCount** is the cumulative number of valid requests that the UDPEcho Plus server could not respond to for whatever reason up to that point in time since the server was enabled. (Due to processing, buffer resource limitations, etc.).
 - **TestIterationNumber** is left unmodified.

A.1.8 Performance Metrics examples with UDPEchoPlus

The metrics presented in the section are some *examples* of what can be inferred by UDPEchoPlus measurements.

For all example metrics refer to the UDPEchoPlus event sequence diagram depicted in Figure 3. This depicts the sequence of UDPEchoPlus requests and corresponding responses during time interval T_{start} to T_{end} . These time boundaries could correspond to the time duration which the UDPEchoPlus server is provisioned to actively respond to request packets (i.e. the time period for which UDPEchoPlus server is enabled).

- G_{s_i} is the time the UDPEchoPlus client sends the UDPEchoPlus request.
- G_{r_i} is the time the UDPEchoPlus client receives the UDPEchoPlus response.
- R_{r_i} is the time the UDP Echo Plus server receives the UDPEchoPlus request (**TestRespRecvTimeStamp**).
- R_{s_i} is the time the UDPEchoPlus server sends the UDPEchoPlus response (**TestRespReplyTimeStamp**).

These are the timestamp values placed in the “i-th” UDPEchoPlus received by the UDPEchoPlus server. In the following examples a UDPEchoPlus client and UDPEchoPlus server begin with sequence numbers equal to 1. The UDPEchoPlus client may also require a successful round trip of the UDPEchoPlus to give the proper sequence number offset.

A.1.8.1 One Way Packet Loss

The UDPEchoPlus client keeps a local tally of the number of request packets that were successfully responded to (within some timer expiration threshold). Refer to this value as the *SuccessfulEchoCnt*. Then upon receiving a UDPEchoPlus response packet from the

UDPEchoPlus server at some time Gr_i , the UDPEchoPlus client can determine RoundTripPacketLoss as:

$$\text{RoundTripPacketLoss} = (\text{TestGenSN} - \text{SuccessfulEchoCnt})$$

Sent packet loss (from UDPEchoPlus client to UDPEchoPlus server path) is determined by subtracting the total requests received by the UDPEcho Plus server (**TestRespSN**) from the total request sent by the UDPEchoPlus client (**TestGenSN**). The total request received by the UDPEchoPlus server is conveyed to the UDPEchoPlus client via the sum **TestRespSN** + **TestRespReplyFailureCount**. Therefore upon receiving a UDPEchoPlus response packet from the UDPEchoPlus server at some time Gr_i , the UDPEchoPlus client can determine:

$$\text{Sent packet loss} = \text{TestGenSN} - (\text{TestRespSN} + \text{TestRespReplyFailureCount})$$

Receive packet loss (the UDPEchoPlus server to UDPEchoPlus client path Packet loss), can be calculated upon receiving a UDPEchoPlus response packet from the UDPEchoPlus server at some time Gr_i , by:

$$\text{Receive packet loss} = \text{RoundTripPacketLoss} - \text{Sent packet loss}$$

A.1.8.2 Round Trip Delay

Upon receiving a UDPEchoPlus response packet from the UDPEchoPlus server at some time Gr_i , corresponding to the “i-th” request sent, like standard UDPEcho, a UDPEchoPlus client can compute the Round Trip Delay (RTD) simply according to:

$$\text{RTD}_i = Gr_i - Gs_i$$

UDPEchoPlus capability allows for the removal of the UDPEchoPlus server’s delay component from each RTD value and removes the processing delays at the UDPEchoPlus server. Denoting the RTD measurements with UDPEchoPlus server delay contribution removed as Effective-RTD, then at time Gr_i the UDPEchoPlus client can compute:

$$\text{Effective-RTD}_i = Gr_i - Gs_i - (\text{TestRespReplyTimeStamp} - \text{TestRespRecvTimeStamp})$$

A.1.8.3 One Way IP Packet Delay Variation (IPDV)

UDP Echo Plus capability can also provide the computation of IPDV (IP Delay Variation) singletons as defined in RFC 3393[8] for each direction to infer One Way IPDV statistics of a time interval over which UDPEcho Plus is performed.

This is done by first defining Gs_{Previous} , Gr_{Previous} , Rr_{Previous} , Rs_{Previous} as the times a previous UDPEcho Plus round trip was successful, then comparing those time stamps against the current successful round trip times stamps in the below calculations:

- An IPDV singleton on the Sent path (from UDPEchoPlus client to UDPEchoPlus server) measured at the UDPEchoPlus client at time Gr_i by

$$\text{Send time delta} = G_{S_i} - G_{S_{\text{Previous}}}$$
$$\text{Receive time delta} = R_{r_i} - R_{r_{\text{Previous}}}$$
$$\text{Sent path IPDV (i)} = \text{Send time delta} - \text{Receive time delta}$$

- An IPDV singleton on the Receive path (from UDP EchoPlus server to UDPEchoPlus client) measured at the UDPEchoPlus client at time G_{r_i} by

$$\text{Response time delta} = R_{S_i} - R_{S_{\text{Previous}}}$$
$$\text{Receive time delta} = G_{r_i} - G_{r_{\text{Previous}}}$$
$$\text{Receive path IPDV (i)} = \text{Response time delta} - \text{Receive time delta}$$

A sequence of IPDV singletons calculations utilizing RFC 3393 may be applied to compute IPDV statistics for each direction.

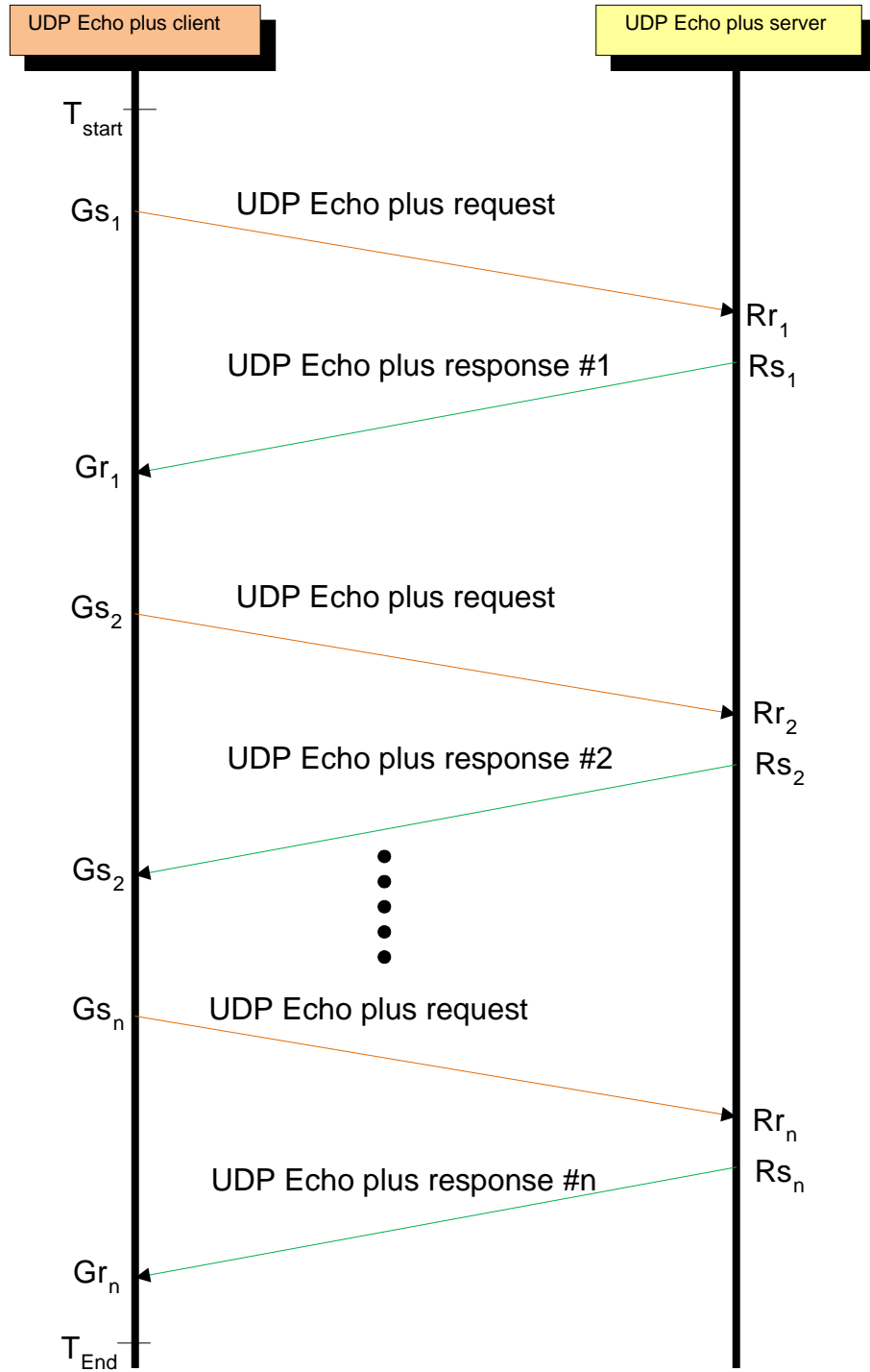


Figure 3 UDPEchoPlus Event Sequence

A.1.8.4 Response Time

The UDPEchoPlus Client has the capability to run a number of iterations of a UDPEchoPlus test specified by NumberOfRepetitions parameter. This allows a response time to be recorded for every test iteration. The following are calculated based on the received response times:

MaximumResponseTime = Highest response time value of the test iterations

MinimumResponseTime = Lowest response time value of the test iterations

AverageResponseTime = $(\sum_1^i \text{ResponseTime}) / i$

Note: Where (i) Is the number of Repetitions

A.1.8.5 Client Initiated UDPEchoPlus Server Overload Indication

The UDPEchoPlus Client keeps a success and failure count for each UDPEchoPlus transaction. This is done through a specified timeout value for when a response is received or no response is received. There are times that the Client Initiated UDPEchoPlus server receives the UDPEchoPlus packet but is unable to respond to the Client Initiated UDPEchoPlus Client and the received packet is dropped at the server due to internal loading issues (i.e. CPU utilization). In these cases where the incoming UDPEchoPlus packets are dropped by the Client Initiated UDPEchoPlus server, the server will record the number of dropped response packets and report them in the Following Parameter:

TestRespReplyFailureCount: *Number Of UDPEchoPlus Packet Response Dropped*

The **TestRespReplyFailureCount** is reported on the next successful UDPEchoPlus packet transaction between the Client and the Server. This is a rolling counter for the duration of the test.

A.2 DownloadDiagnostics Utilizing FTP Transport

Note: The descriptions and conditions in this section apply to a single connection and file sized based test only.

The DownloadDiagnostics test is being used to test the file size based streaming capabilities and responses of the CPE and the WAN connection. The measurements are made during the download process, the 'files' that are downloaded are arbitrary, and are only temporary. The file received is a stream of arbitrary bytes of a specified length. There is no bound on file size.

The FTP, RFC 959 [5], server response to the FTP SIZE command gives the CPE the size of the file being downloaded. The FTP server response to the FTP RFC 959 [5] RTRV command will initiate the data sent on the FTP RFC 959 [5] data connection.

The CPE counts the number of file bytes received successfully and compares it to the response to the FTP RFC 959 [5] SIZE command. The CPE is not required to retain the file in memory.

Once the CPE has successfully received the number of file bytes specified in the FTP RFC 959 [5] SIZE command it must terminate the FTP control connection.

Table 4 Statistics and Protocol layer reference for FTP DownloadDiagnostics

Above Socket (FTP RFC 959)	Socket Layer	Below Socket
ROTime	EOMTime	TotalBytesReceived (Ethernet)
	BOMTime	EthernetPriority (Ethernet)
	TCPOpenRequestTime	DSCP setting (IP)
	TCPOpenResponseTime	
	TestBytesReceived	

For the DownloadDiagnostics test utilizing FTP transport, the FTP client emulates an FTP download transaction to an FTP URL as specified by DownloadURL. A sequence of events and corresponding actions are described below, reference of Figure 4.

1. Open a TCP socket for the FTP control connection.
2. Upon receiving the control connection response:
 - If a FTP positive response is received, send a FTP USER command with user value set to “anonymous” to indicate an anonymous user login is being request.

Error Condition - If a FTP negative response is received or a timeout has occurred, then set DiagnosticsState to Error_InitConnectionFailed and terminate the test.

3. Upon receiving an “enter password” request:
 - Perform a PASS command using any string (e.g. “dummpwd@”) to be used as the password for the anonymous login.

Error Condition -If the “enter password” request fails or times out, then set DiagnosticsState to Error_PasswordRequestFailed and terminate the test.

4. Upon receiving a password response:
 - If the response was “successfully logged in”, then send a TYPE command with argument character set to ‘I’ for binary mode.

Error Condition -If a “successfully logged in” is not received or the response times out, then set DiagnosticsState to Error_LoginFailed and terminate the test.

5. Upon receiving an transfer mode response:
 - If the transfer mode was set successfully, send a PASV command to request the server be placed in passive mode.

Error Condition -If a transfer mode response fails or times out, then set `DiagnosticsState` to `Error_NoTransferMode` and terminate the test.

6. Upon receiving passive mode response:
 - If the passive mode response is successful, request the establishment of the FTP data connection.
 - Set `TCPOpenRequestTime` to the current time.

Error Condition -If a passive mode response fails or times out, then set `DiagnosticsState` to `Error_NoPASV` and terminate the test.

7. Upon receiving the TCP data connection response: for the FTP data connection:
 - If it was successfully established then set `TCPOpenResponseTime`, equal to the current time value.

Error Condition -If the connection could not be opened or times out, then set `DiagnosticsState` to `Error_NoResponse` and terminate the test.

- Send the `SIZE` command on the FTP control connection to obtain the size of the file to be downloaded.
8. Upon receiving the response to the `SIZE` command:
 - Record the file size in bytes. Send a `RTRV` command to request the contents of the file.
 - Set the `ROMTime` to the current time value.

Error Condition - If a valid response was not received from the server in response to the `SIZE` command or a timeout has occurred, then set `DiagnosticsState` to `Error_IncorrectSize` and terminate the test.

9. Upon receiving the first unit of data (at the socket interface) of the FTP data connection (i.e. corresponding to the first segment of data in the file):
 - Set `BOMTime` equal to the current time value.
 - Record the current value of the Ethernet bytes received on the Interface, to be used as reference later in `TotalBytesReceived` calculation.

Error Condition - If the FTP transfer times out, then set `DiagnosticsState` to `Error_Timeout` and terminate the test.

10. Upon receiving the last packet of data on the FTP data connection (i.e. corresponding to the last segment of data in the file):
 - Set `EOMTime` equal to the current time value.
 - Record the current value of the Ethernet bytes received on the Interface, and calculate the `TotalBytesReceived` (using the previous value sampled at `BOMTime`).

Note: In binary transfer mode, a count of the total bytes received at the socket level can be maintained and compared to the file size obtained by the SIZE command in step #8 above.

11. Once the EOMTime is set:

- Set DiagnosticsState to the Completed state.
- The server closes the connection or sends a TCP RESET flag if a timeout occurs.

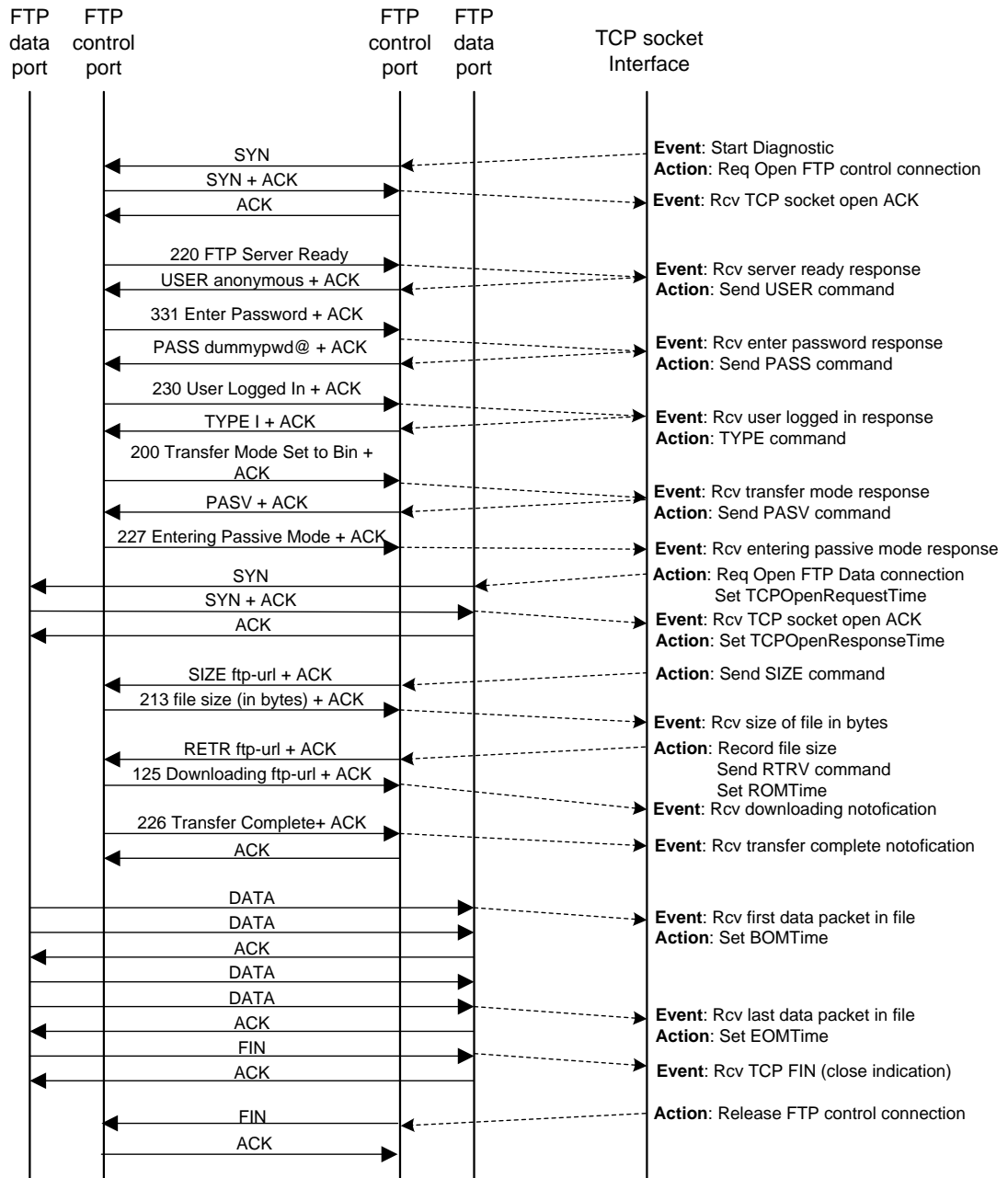


Figure 4 DownloadDiagnostics using FTP transport

A.3 UploadDiagnostics Utilizing FTP Transport

Note: The descriptions and conditions in this section apply to a single connection and file sized based test only.

The UploadDiagnostics test is being used to test the file size based streaming capabilities and responses of the CPE and the WAN connection. The measurements are made during the upload process, the ‘files’ that are uploaded are arbitrary, and are only temporary. There are no storage requirements on the CPE for the uploaded files. The CPE sends a file of size TestFileLength (actual values in bytes sent are arbitrary). There is no bound on file size.

The FTP RFC 959 [5] server response to the FTP STOR command gives the CPE a ready for transfer and it may begin the file transfer.

The CPE counts the number of bytes sent successfully on the FTP data socket. The CPE is not required to retain the file in memory.

Once the CPE has successfully sent the number of bytes specified in the FTP RFC 959 [5] SIZE command and receives the transfer complete, it must terminate the FTP control and data connections.

Table 5 Statistics and Protocol layer reference for FTP UploadDiagnostics

Above Socket (FTP RFC 959)	Socket Layer	Below Socket
ROMTime	EOMTime	TotalBytesSent (Ethernet)
	BOMTime	EthernetPriority (Ethernet)
	TCPOpenRequestTime	DSCP setting (IP)
	TCPOpenResponseTime	

For the UploadDiagnostics test utilizing FTP transport, the FTP client emulates a FTP upload transaction to an FTP server with filename as specified by UploadURL. A sequence of events and corresponding actions are described below, reference Figure 5.

1. Open a TCP socket for the FTP control connection.
2. Upon receiving the FTP control connection response:
 - If a FTP server ready response is received, send a FTP USER command with user value set to “anonymous” to indicate an anonymous user login is being request.

Error Condition - If a FTP negative response is received, or a timeout has occurred, then set DiagnosticsState to Error_InitConnectionFailed and terminate the test.

3. Upon receiving an “enter password” request:
 - Perform a PASS command using any string (e.g. “dummpwd@”) to be used as the password for the anonymous login.

Error Condition -If the enter password request times out, then set the DiagnosticsState to Error_PasswordRequestFailed and terminate the test.

4. Upon receiving a password response:

- If the response was “successfully logged in”, then send a TYPE command with argument character set to ‘I’ for binary mode.

Error Condition -If a “successfully logged in” response was not received or times out, set the DiagnosticsState to Error_LoginFailed and terminate the test.

5. Upon receiving a transfer mode response:

- If the transfer mode was set successfully, send a PASV command to request the server be placed in passive mode.

Error Condition -If the set transfer mode failed or times out, then set DiagnosticsState to Error_NoTransferMode and terminate the test.

6. Upon receiving passive mode response:

- If the passive mode was successful, request establishment of a TCP socket for the FTP data connection.
- Set TCPOpenRequestTime to the current time.

Error Condition -If a setting the passive mode fails or times out, then set DiagnosticsState to Error_NoPASV and terminate the test.

7. Upon receiving the TCP socket response for the FTP data connection:

- If it was successfully established then set TCPOpenResponseTime, equal to the current time value.

Error Condition -If the connection could not be opened or a timeout has occurred, then set DiagnosticsState to Error_NoResponse and terminate the test.

- Send a CWD command to change to the directory to the directory in the UploadURL.

Note: The client is not always required to send a CWD command prior to sending the STOR command in cases where the upload is performed in the home directory of the anonymous login.

8. Upon receiving a CWD response:

- If a new directory change notification was received, send a STOR command to request uploading (storing) a file using the file name value specified in UploadURL.
- When the STOR command is sent set ROMTime to the current time value.

Error Condition -If the CWD fails or times out set the DiagnosticsState to Error_NoCWD and terminate the test.

9. Upon receiving a STOR command response:
 - If the client receives a “ready for transfer” notification, record the current value of the Ethernet bytes sent on the Interface, to be used as reference later in TotalBytesSent calculation.
 - Begin file upload over the FTP data connection, set BOMTime to the current time value.

Error Condition -If an error code is returned by the server and/or a timeout has occurred prior to receiving a “ready for transfer” notification then set the DiagnosticsState to Error_NoSTOR and terminate the test.

10. Upon completing the file upload:
 - If the client receives a “transfer complete” notification, set EOMTime to the current time value.
 - Record the current value of the Ethernet bytes sent on the Interface and calculate the TotalBytesSent using previous value sampled at BOM Time.

Error Condition – If an error code is returned by the server and/or a timeout has occurred prior to receiving a “transfer complete” notification, then set the DiagnosticsState to Error_NoTransferComplete and terminate the test.

11. Once the EOMTime is set, close the connections (FTP data and control) to the server.
 - Set the DiagnosticsState to Completed.

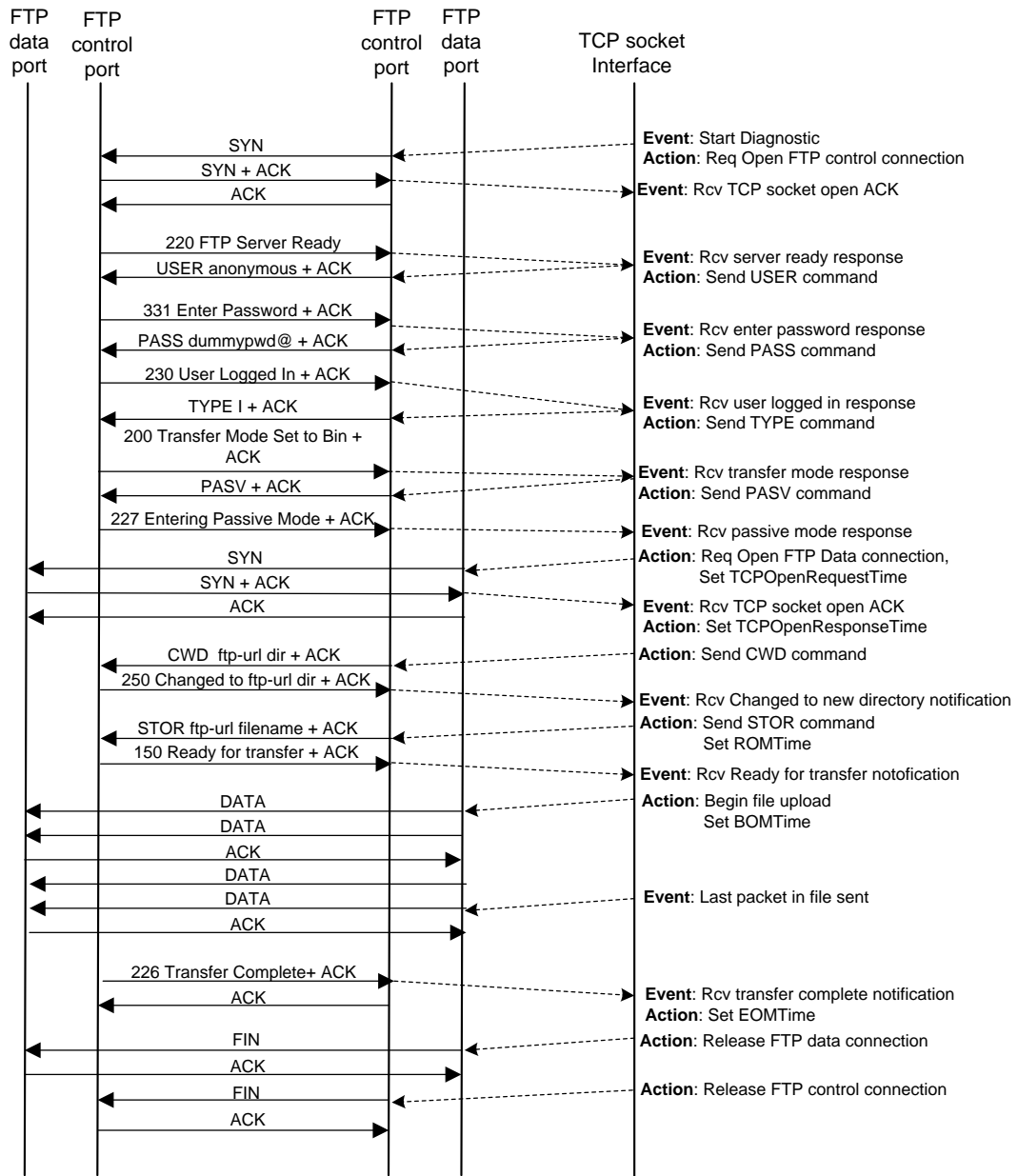


Figure 5 UploadDiagnostics utilizing FTP transport

A.4 DownloadDiagnostics utilizing HTTP transport

Note: The descriptions and conditions in this section apply to a single connection and file sized based test only.

The DownloadDiagnostics test is being used to test the file sized based streaming capabilities and responses of the CPE and the WAN connection. The measurements are made during the download process, the ‘files’ that are downloaded are arbitrary, and are only temporary. There are no storage requirements on the CPE for the downloaded files. The file received is a stream of arbitrary bytes of a specified length. There is no bound on file size.

The HTTP RFC 2616 [7], server response to the HTTP Get includes the first TCP block of the file and either the HTTP header with the total file size or chunked encoding.

The CPE counts the number of file bytes received successfully. The CPE is not required to retain the file in memory.

Once the CPE has successfully received the number of file bytes specified in the HTTP response or chunked header the HTTP connection is closed.

HTTP implementation notes:

- Pipelining is not supported.
- The CPE counts the number of bytes received on the Interface for the duration of the test.
- HTTP authentication is not supported.
- HTTP headers may be 1.0 or 1.1. HTTPS is not supported.

Table 6 Statistics and Protocol layer reference for HTTP DownloadDiagnostics

Above Socket (HTTP)	Socket Layer	Below Socket
EOMTime	ROMTime	TotalBytesReceived (Ethernet)
	BOMTime	EthernetPriority (Ethernet)
	TCPOpenRequestTime	DSCP setting (IP)
	TCPOpenResponseTime	
	TestBytesReceived	

For the DownloadDiagnostics test utilizing HTTP transport, the HTTP client emulates an HTTP Get (download transaction) to an HTTP URL as specified by DownloadURL. A sequence of events and corresponding actions are described below, reference Figure 6.

1. Open a TCP socket for the HTTP connection.
 - Set TCPOpenRequestTime to the current time.
2. When the TCP Ack is received for the HTTP connection:
 - Set TCPOpenResponseTime to the current time.

Error Condition -If the connection could not be opened or a timeout has occurred, then set the DiagnosticsState to the Error_InitConnectionFailed and terminate the test.

- Send a GET command to request the contents of the file.
 - Set the ROMTime to the current timestamp value.
3. Upon receiving the first packet of data and HTTP successful response:
- Set BOMTime equal to the current time value.
 - Record the current value of the Ethernet bytes received on the Interface, to be used as reference later in TotalBytesReceived calculation.

Note: The content length field may return in the first packet of data (which also includes the server HTTP response code) and may be used to determine the number of bytes to count to indicate the file download is complete. If the response uses chunked encoding the chunked header is used to determine file size.

Error Condition - If a HTTP successful response code was not received from the server in response to the GET command or a timeout has occurred, then set DiagnosticsState to the Error_NoResponse and terminate the test.

4. Upon receiving the last packet of data in the file:
- Set EOMTime equal to the current time value.
 - Record the current value of the Ethernet bytes received on the Interface, and calculate the TotalBytesReceived using previous value sampled at BOM Time.

Note: The last segment of file data has been received once a number of bytes received is equal to content length as determined from the step #3 above, or an EOF character sequence has been detected.

Error Condition - If the number of bytes received did not match the bytes expected or, a timeout has occurred, then set DiagnosticsState to Error_TransferFailed state and terminate the test.

5. Once the EOMTime is recorded, the HTTP client then simply waits for the server to close the connection or sends a TCP RESET flag if a timeout period TBD is exceeded. However, at this stage the test can be deemed successful and set DiagnosticsState to the Completed state.

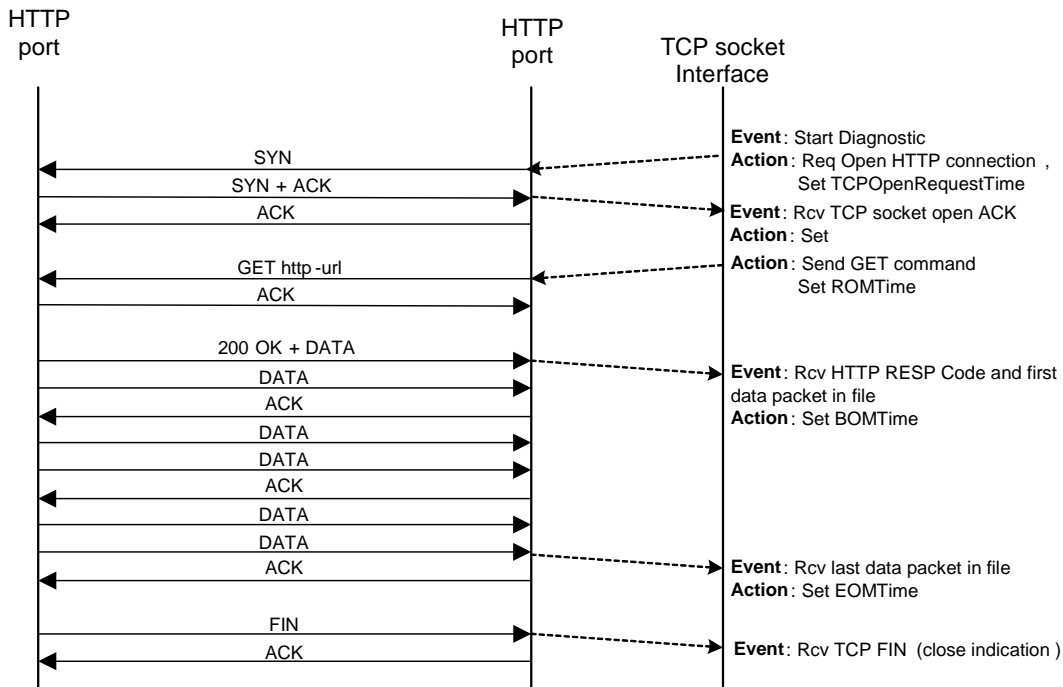


Figure 6 DownloadDiagnostics utilizing HTTP transport

A.5 UploadDiagnostics utilizing HTTP transport

Note: The descriptions and conditions in this section apply to a single connection and file sized based test only.

The UploadDiagnostics test is being used to test the file sized based streaming capabilities and responses of the CPE and the WAN connection. The measurements are made during the upload process, the ‘files’ that are uploaded are arbitrary byte patterns or streams. There are no file storage requirements on the CPE for the uploaded files. The CPE sends a file of size TestFileLength (actual value in each byte sent is arbitrary).

The HTTP RFC 2616 server responds to the HTTP put with a successful response when the file has completed the Upload, this will indicate a successful test. If the 200 OK is not received, or the TCP socket is torn down, the test will fail. The CPE may use chunked encoding.

The CPE counts the number of bytes sent on the Interface for the duration of the test.

HTTP Implementation notes:

- Pipelining is not supported.
- HTTP authentication is not supported.
- HTTP headers may be 1.0 or 1.1. HTTPS is not supported.

Table 7 Statistics and Protocol layer reference for HTTP UploadDiagnostics

Above Socket (HTTP)	Socket Layer	Below Socket
EOMTime	ROMTime	TotalBytesSent (Ethernet)
	BOMTime	EthernetPriority (Ethernet)
	TCPOpenRequestTime	DSCP setting (IP)
	TCPOpenResponseTime	

For the UploadDiagnostics test utilizing the HTTP transport, the HTTP client emulates an HTTP upload (PUT) transaction to an HTTP server with filename as specified by Upload URL. A sequence of events and corresponding actions for the HTTP Upload are described below, reference Figure 7.

1. Open a TCP socket for the HTTP connection.
 - Set TCPOpenRequestTime to the current time.
2. Upon receiving indication that the HTTP connection response:
 - If the response was successfully established, set TCPOpenResponseTime to the current time.

Error Condition -If the connection could not be opened or a timeout has occurred, then set DiagnosticsState to Error_InitConnectionFailed and terminate the test.

- Send a PUT command to request the sending of a file with filename specified in UploadURL. Set ROMTime to the current time value.
3. Upon sending the first unit of data (i.e. TCP segment) to the server:
 - Set BOMTime to the current time value.
 - Record the current value of the Ethernet bytes sent on the Interface, to be used as reference later in TotalBytesSent calculation.
 4. Upon completing the file upload:
 - When the client receives a HTTP successful response code from the server indicating the put was successfully performed set EOMTime to the current time value.
 - Record the current value of the Ethernet bytes sent on the Interface, and calculate the TotalBytesSent using previous value sampled at BOM Time.

Error Condition -If an HTTP successful response is not returned by the server and/or a timeout has occurred prior to receiving HTTP response code, then set DiagnosticsState to Error_NoResponse and terminate the test.

5. Once the EOMTime is recorded, the HTTP client then initiates the connection release. At this stage the test can be deemed successful and set DiagnosticsState to Completed.

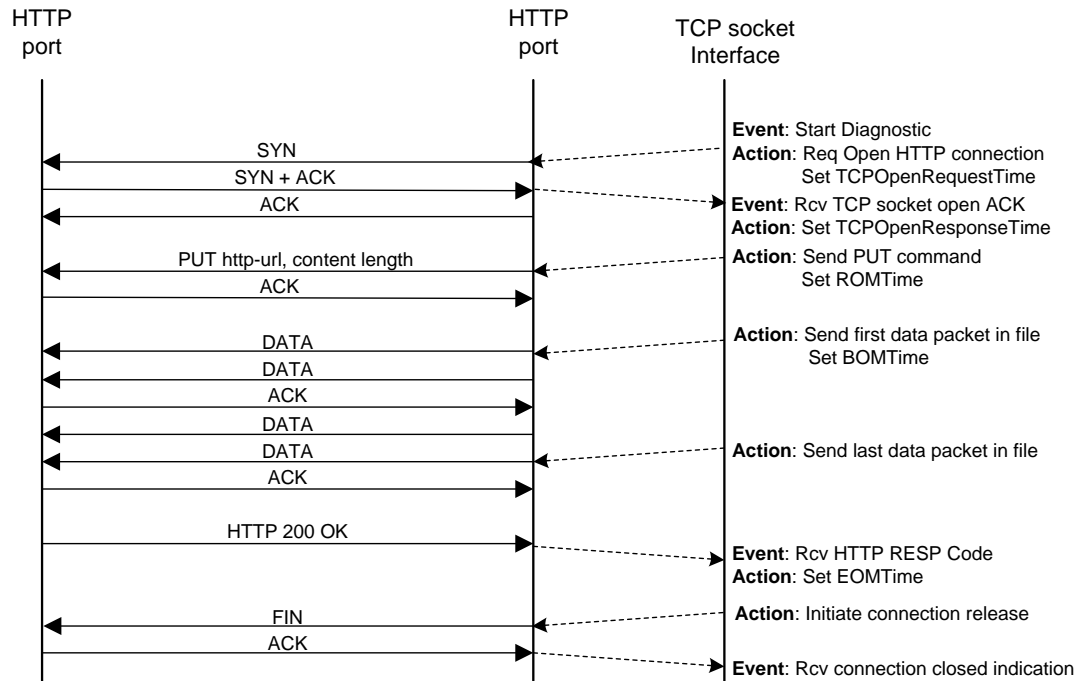


Figure 7 UploadDiagnostics utilizing HTTP transport

A.6 Time Based File Transfer (HTTP/FTP)

Time based throughput testing will measure the number of bytes transmitted or received for fixed time duration. This allows time deterministic network throughput measurement.

To execute a time based throughput test the ACS will configure the CPE with the time to run the throughput test, the test transfer direction (Upload or Download) and the test server address. The CPE will establish the connection to the test server and initiate the requested transfer. The CPE is responsible for terminating the download or upload transfer after the configured duration has elapsed. As soon as the test time is completed, the CPE will end the test connection and report the results based on the number of bytes transmitted or received during that time.

If a time-based download test completes in less than the configured duration, the CPE MUST report this as an error.

The figure is an example diagram of a time based throughput test using HTTP:

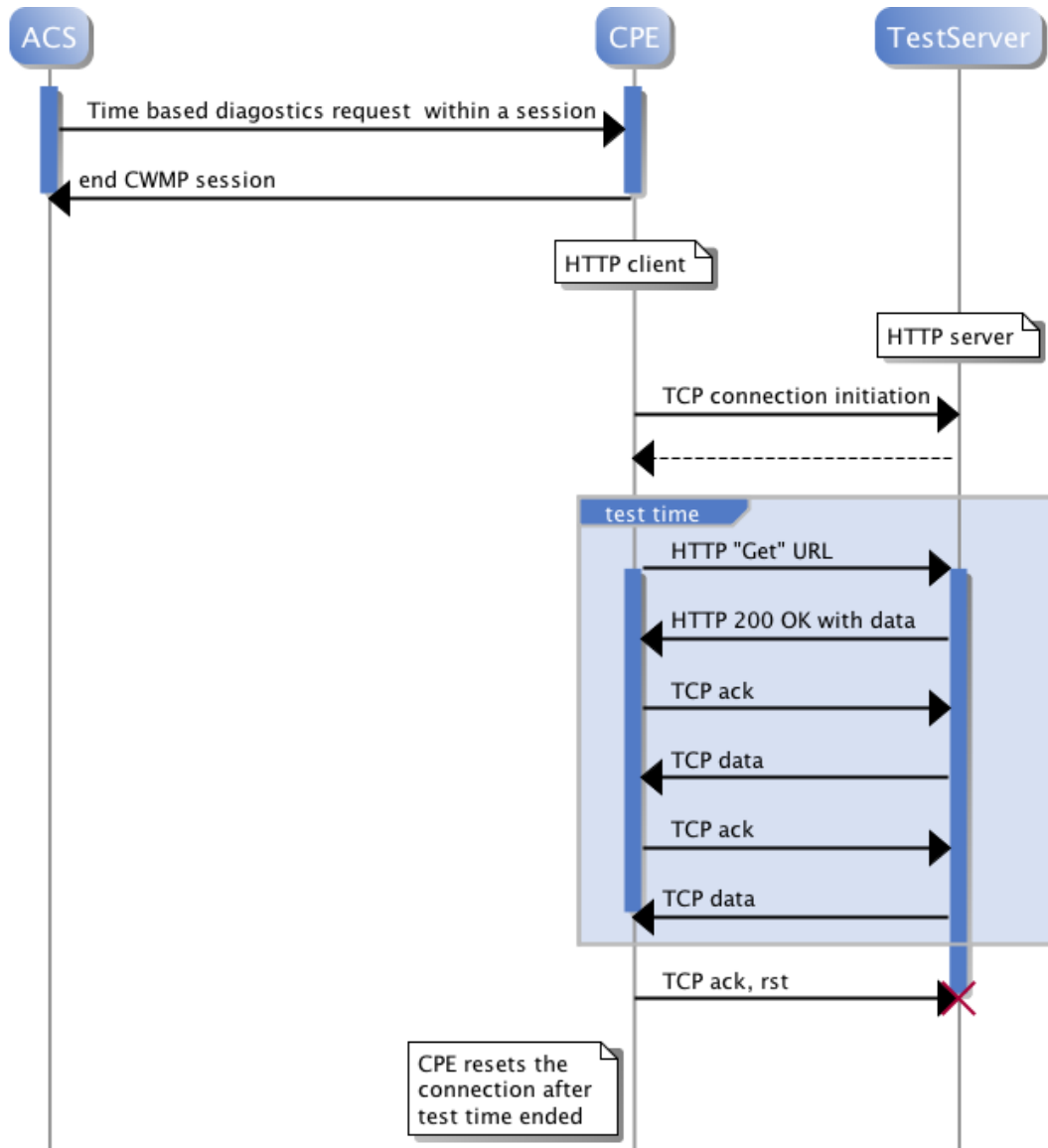


Figure 8 CPE Time based throughput diagnostics using HTTP/FTP transport.

For testing either a specialized test server, which generates the test traffic or a general file server can be used.

If a specialized test server is used, which allows the generation of the traffic and needs to be informed about the test time, the CPE uses a unique URL to communicate the time that a specific throughput test must run to this server, so that is guaranteed that enough data for the whole test duration is send:

- For download time based test mode a filename having the form “dntimebasedmode_xxx.txt” will be used, where xxx represents an unsigned number of seconds (e.g. 30), is requested from the test server. Thus, a DownloadURL of

http://ServerHostname/dntimebasedmode_30.txt specifies to the server to supply data so that the download takes 30 seconds to complete.

If a generic test server is used, that does not need the time information, any URL may be used for time based testing. In this case for download testing the test server will start generating the test traffic as soon as the connection was established and the file is requested, and stops the traffic generation as soon as the connection is reset. For upload testing the server will receive and acknowledge the information until the connection is closed. The CPE is responsible for closing the connection at the end of the test for the upload and download case. The CPE is also responsible for keeping track of the number of bytes sent or received for the duration of the test as the case maybe.

A.7 Use of Multi Threading/Connections

A.7.1 File Transfer Mode

Multi thread/connection capability enables the CPE to be able to run file transfer (upload/download, HTTP/FTP) as described in the previous sections with multiple simultaneous connections. The ACS must first read the maximum number of connections that the CPE supports through:

DownloadDiagnosticMaxConnections Predefined value programmed in the CPE

UploadDiagnosticMaxConnections Predefined value programmed in the CPE

These values determine the number of threads/connections that the CPE supports for download and upload tests respectively with a default value of “1”.

The ACS must then program the CPE with a number of threads/connections less than or equal to the maximum supported connections through the NumberOfConnections parameter in the data model. This will let the CPE know the number of connection to use for the requested test.

The test is only considered successful if all connections have been established and no errors occur during the file transfer and all connections.

The CPE runs each connection separately and keeps its results in an independent result instance. For the multi thread/connection mode the BOM time is the BOM time of the first thread/connection and the EOM time of the last thread/connection. This is the period of full loading and the total transfer time after the successful completion of the test.

The TotalBytesSent and the TotalBytesReceived as defined in the data model are an aggregation of the total bytes sent/received across all connection. This is only valid if the test is completed successfully.

The error cases are the same as the HTTP/FTP file transfer sections above and are kept per connection. The criteria for a successful completion of a test is to have no errors on any connection until after all connections have been closed. Errors after close of connections must be discarded.

A.7.2 Time Based Transfer Mode

The time based transfer mode is described in section A.7. When multi thread/connection is selected for the time based mode, the CPE MUST have established a successful connection to all the required connections defined by NumberOfConnections before results are measured. An error must be generated if any of the required connections cannot be made.

In order to achieve a more accurate and consistent result, TimeBasedTestMeasurementOffset can be used to start collection of data after an initial time. This variable allows the user to offset the time that results are collected from the BOM time of the first connection allowing all connections to be established and started transfer of data. Figure 9 below is an example of how a time based, multi thread/connection UploadDiagnostics (HTTP/FTP) test would be initiated.

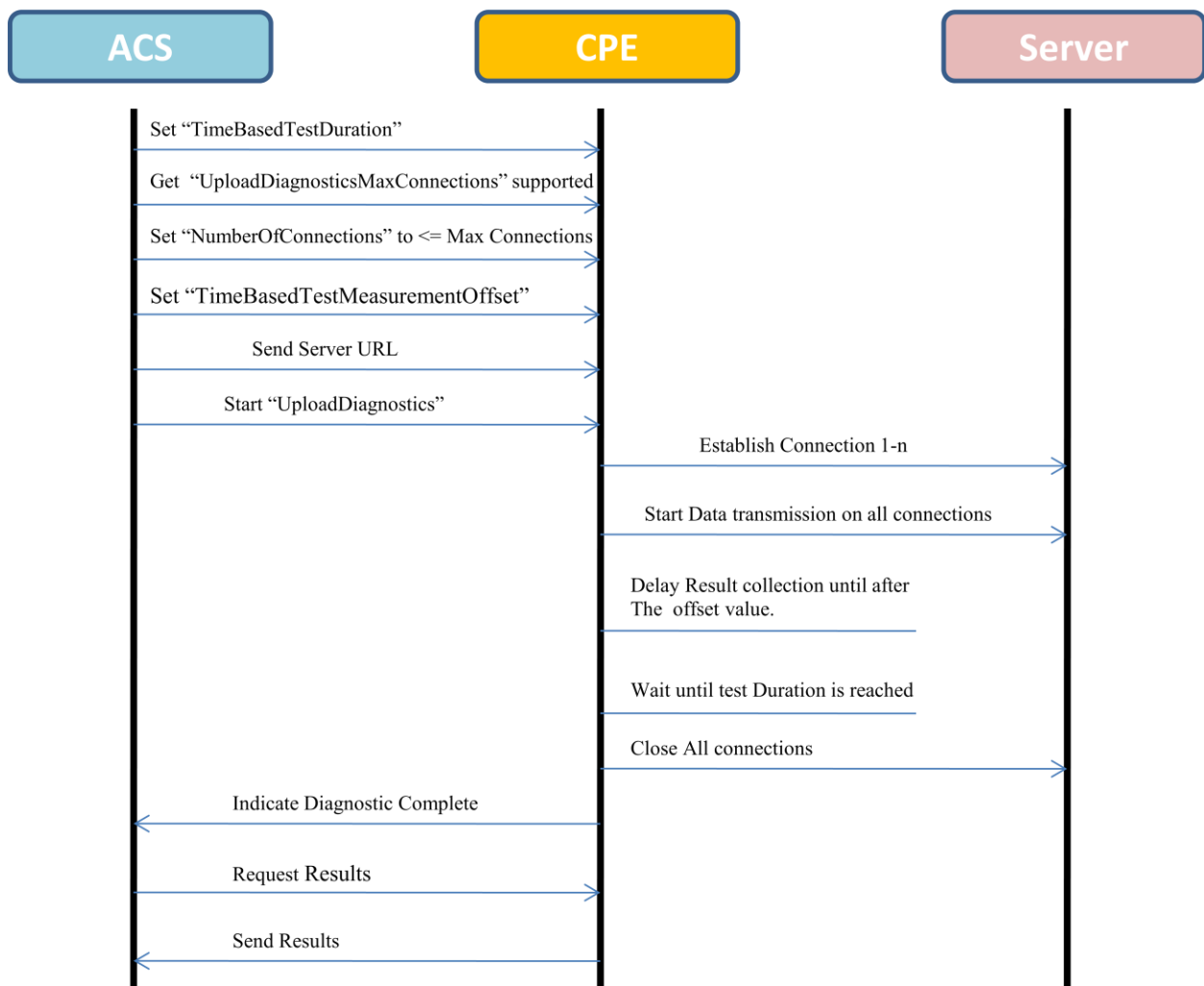


Figure 9 Time Based Multi Thread/Connection Testing

A.7.3 Period of Full Loading

The multi thread/connection, time based or file based, requires calculation of results for the period of time that all threads/connections have been initiated and are actively Transmitting/Receiving data. This period is defined as the time in between the last BOM time of the number of threads/connections and the first EOM time of the threads/connections. Figure 10 shows an example of the duration of time for determining all test bytes transferred and test bytes transferred under full loading:

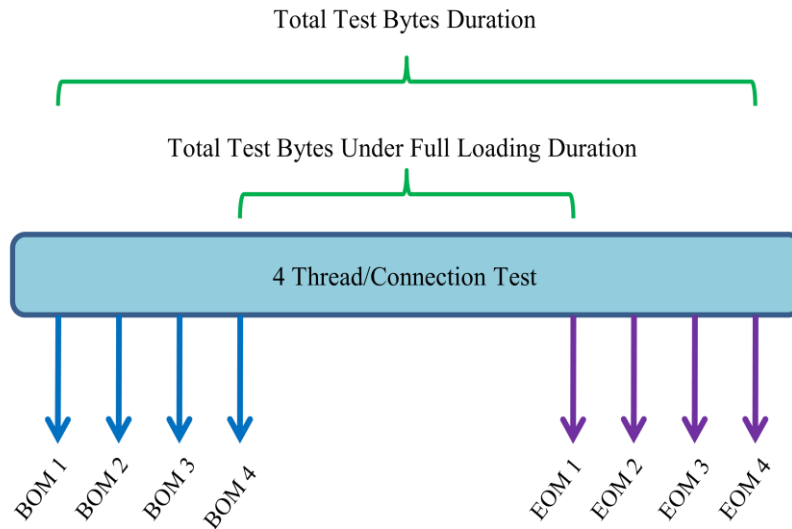


Figure 10 Multi Thread/Connection Total/Full Loading Time Duration

A.8 ServerSelectionDiagnostics

The server selection diagnostic test enables the CPE to select a best possible response server (IPv4 or IPv6). This is done by performing ping tests against a provided predefined list HostList of servers; measuring and averaging the ping response time from each server. The result of this Diagnostic test is the FastestHost parameter from the provided list file, the lowest numeric value response time, and all the response times AverageResponseTime for that link.

All pings that do not have a response are timed out by the Timeout parameter defined as part of the test and considered failed attempts.

The returned server can then be used as a target device to perform other throughput tests.

Appendix B: Test results

B.1 UploadDiagnostics and DownloadDiagnostics Test Results

Once a CPE throughput test is successfully completed there are several Active Monitoring performance metrics of particular interest that are implied in the object parameters.

Currently Jitter and delay are only measured by the UDP Echo Plus test.

Results may vary on CPE due to varying TCP implementations.

Table 8 Diagnostics Test Results

Metric	Description	Calculation
Test Connection Handshake Round Trip Time	Represents the round trip time incurred during the 3-way handshake of the TCP connection established to perform the throughput test	TCPOpenResponseTime – TCPOpenRequestTime
Test Transaction Response Time	The response time from the test beginning to end.	EOMTime – ROMTime
Test Transaction Request Round Trip Time	This is an application level round trip time measure (defined from transaction request time to the arrival of the first response packet at the client).	BOMTime - ROMTime
Test Transaction Response Throughput	The throughput measure output from the test.	Upload test = $8 * \text{TestFileLength}^1 / (\text{EOMTime} - \text{BOMTime})$ Download test = $8 * \text{TestBytesReceived}^2 / (\text{EOMTime} - \text{BOMTime})$
Test Line Interface Throughput	The throughput measured on the WAN interface during the test activity period. This will show if other applications were using bandwidth resources while the test was run, when compared to Test Transaction Response Throughput.	Upload test = $8 * (\text{TotalBytesSent}) / (\text{EOMTime} - \text{BOMTime})$ Download test = $8 * (\text{TotalBytesReceived}) / (\text{EOMTime} - \text{BOMTime})$

Note: The descriptions and conditions in this section apply to a single connection and file sized based test only.

¹ Note that TestFileLength does not include the HTTP header overhead bytes

² Note that TestBytesReceived does include the HTTP header overhead bytes

B.2 Asymmetrical Considerations

Today's broadband access networks are typically dimensioned asymmetrically to support currently deployed Internet services. The proposed test suites in this Technical Report are designed for both symmetric and asymmetric type networks.

However in the asymmetric case, there are extreme cases where the upstream capacity is not sufficient for Active Monitoring. In these cases, the returned TCP acknowledgement packets (ACK) from the CPE client cannot be returned reliably. Implementation guidance is provided in RFC 3449 [9] in order to increase accuracy of the test performed.

$$k = (\text{Downstream Bottleneck Rate}) / (\text{MTU} * 8) / (\text{Upstream Bottleneck Rate} / (\text{Ack Packet Size} * 8))$$

This equation is derived by assuming the client will use the Maximum Segment Size (MSS) when at all possible for forwarding data to the CPE client and ACKs returned from the client to server have a zero payload size resulting in a line packet size of Ack Packet Size in bytes (e.g. typically 64 bytes on Ethernet). If delayed ACKs are used (i.e. only ACK every other packet), as is typically the case in current TCP implementations, then the downstream is rate limited when $K > .5$ so we want $K \leq .5$ (for the delayed ACK case).

End of Broadband Forum Technical Report TR-143 Issue 1 Amendment 1