

TR-124

Functional Requirements for Broadband Residential Gateway Devices

Issue: 4
Issue Date: September 2014

Notice

The Broadband Forum is a non-profit corporation organized to create guidelines for broadband network system development and deployment. This Broadband Forum Technical Report has been approved by members of the Forum. This Broadband Forum Technical Report is not binding on the Broadband Forum, any of its members, or any developer or service provider. This Broadband Forum Technical Report is subject to change, but only with approval of members of the Forum. This Technical Report is copyrighted by the Broadband Forum, and all rights are reserved. Portions of this Technical Report may be copyrighted by Broadband Forum members.

THIS SPECIFICATION IS BEING OFFERED WITHOUT ANY WARRANTY WHATSOEVER, AND IN PARTICULAR, ANY WARRANTY OF NONINFRINGEMENT IS EXPRESSLY DISCLAIMED. ANY USE OF THIS SPECIFICATION SHALL BE MADE ENTIRELY AT THE IMPLEMENTER'S OWN RISK, AND NEITHER the Forum, NOR ANY OF ITS MEMBERS OR SUBMITTERS, SHALL HAVE ANY LIABILITY WHATSOEVER TO ANY IMPLEMENTER OR THIRD PARTY FOR ANY DAMAGES OF ANY NATURE WHATSOEVER, DIRECTLY OR INDIRECTLY, ARISING FROM THE USE OF THIS SPECIFICATION.

Broadband Forum Technical Reports may be copied, downloaded, stored on a server or otherwise re-distributed in their entirety only, and may not be modified without the advance written permission of the Broadband Forum.

The text of this notice must be included in all copies of this Broadband Forum Technical Report.

Issue History

Issue Number	Approval Date	Publication Date	Issue Editor	Changes
1	December 2006		Jaime Fink, 2Wire Jack Manbeck, Texas Instruments	Original
2	May 2012		Barbara Stark, AT&T Ole Trøan, Cisco	Added IPv6 functionality.
3	21 August 2012	22 August 2012	Dave Hood, Ericsson	Continued evolution. Changes described in Executive Summary
4	8 September 2014	27 October 2014	Jean-Didier Ott, Orange Yilan Ding, Huawei Technologies	Continued evolution. Changes described in Executive Summary

Comments or questions about this Broadband Forum Technical Report should be directed to help@broadband-forum.org.

Editors	Jean-Didier Ott Yilan Ding	Orange Huawei Technologies
BroadbandHome WG Chairs	Jason Walls John Blackford	QA Cafe Pace

Table of Contents

EXECUTIVE SUMMARY.....7

1 PURPOSE AND SCOPE8

1.1 PURPOSE.....8

1.2 SCOPE.....8

2 REFERENCES AND TERMINOLOGY9

2.1 CONVENTIONS9

2.2 REFERENCES10

2.3 DEFINITIONS.....20

2.4 ABBREVIATIONS.....21

3 TECHNICAL REPORT IMPACT.....25

3.1 ENERGY EFFICIENCY25

3.2 IPV6 25

3.3 SECURITY25

3.4 PRIVACY.....25

4 RESIDENTIAL GATEWAY REQUIREMENTS26

GENERAL DEVICE REQUIREMENTS.....26

WIDE AREA NETWORKING (WAN).....29

LOCAL AREA NETWORKING (LAN)52

MANAGEMENT & DIAGNOSTICS74

WAN INTERFACE MODULES83

LAN INTERFACE MODULES94

REGIONAL ANNEXES110

ANNEX A IPV6 FLOW DIAGRAMS.....116

A.1 WAN PPPoE AUTOMATED CONNECTION FLOW.....116

A.2 WAN IPV6 AUTOMATED CONNECTION FLOW117

A.3 RECEIVE ROUTER ADVERTISEMENT SUBROUTINE FLOW118

APPENDIX I APPLICATION LEVEL GATEWAY (ALG) AND PORT FORWARDING LIST.....119

APPENDIX II EXAMPLE QUEUING FOR AN RG.....121

APPENDIX III ROUTED ARCHITECTURE – EXAMPLES OF POTENTIAL CONFIGURATIONS.....123

III.1 INTRODUCTION.....123

III.2 BASIC RG AS ROUTER INITIATING ONE OR MORE PPPoE SESSIONS.....123

III.2.1 No WAN Connection124

III.2.2 Router Sets Up PPPoE to an ISP125

III.2.3 PC3 Sets Up Its Own PPPoE Session126

III.2.4 Router Sets Up a Second PPPoE Session127

III.3 “RFC 2684 BRIDGED” MODE.....128

III.3.1 Router in IP-routed “RFC 2684 Bridged” Mode, Embedded DHCP Server On 128

III.3.2 Router in Bridged Mode, Embedded DHCP Server On..... 129

III.3.3 Router in Bridged Mode, Embedded DHCP Server Off..... 130

III.4 SIMULTANEOUS IP AND PPPoE WAN SESSIONS 130

III.4.1 Router in IP-routed “2684 Bridged” Mode, Embedded DHCP Server On..... 131

III.4.2 Router Sets Up IP as a Second Session..... 132

III.5 SINGLE PC MODE OF OPERATION 133

III.6 ROUTER EMBEDDED DHCP SERVER GIVES OUT PUBLIC IP ADDRESSES (FROM USE OF IPCP EXTENSION) 133

APPENDIX IV BRIDGED ARCHITECTURE – EXAMPLES OF POTENTIAL CONFIGURATIONS.....134

IV.1 INTRODUCTION..... 134

IV.2 MANAGED BRIDGE..... 135

IV.2.1 Local Management..... 136

IV.3 UNMANAGED BRIDGE 136

IV.3.1 Local Management..... 136

APPENDIX V SEALING CURRENT REFERENCES137

APPENDIX VI PRODUCT PROFILE TEMPLATE.....138

VI.1 INTRODUCTION..... 138

VI.2 INSTRUCTIONS FOR COMPLETING A PRODUCT PROFILE TEMPLATE 138

VI.3 PRODUCT PROFILE TEMPLATE..... 139

List of Figures

Figure 1 – WPS pushbutton method state machine.....	114
Figure 2 – WAN PPPoE automated connection flow	116
Figure 3 – WAN IPv6 automated connection flow	117
Figure 4 – Receive router advertisement subroutine flow	118
Figure 5 – Upstream Queuing and Scheduling Example for RG	121
Figure 6 – Example: No WAN Connection Configuration.....	124
Figure 7 – Example: Router Sets Up PPPoE to an ISP	125
Figure 8 – Example: PC3 sets up its own PPPoE Session	126
Figure 9 – Example: Router sets up a Second PPPoE Session	127
Figure 10 – Example: Router in 2684 Bridged Mode with DHCP Server On.....	128
Figure 11 – Example: Router in Bridged Mode with DHCP Server On.....	129
Figure 12 – Example: Router in Bridged Mode with DHCP Server off.....	130
Figure 13 – Example: Router in Routed 2684 Mode	131
Figure 14 – Example: Router sets up Second IP Connection	132
Figure 15 – Example: Single PC Mode of Operation	133
Figure 16 – Example: Managed Bridge Configuration.....	135
Figure 17 – Example: Unmanaged Bridge Configuration	136
Figure 18 – Sealing current reference design.....	137

Executive Summary

TR-124 specifies a superset of requirements for broadband Residential Gateway (RG) devices that are capable of supporting a full suite of voice, data, broadcast video, video on demand and two-way video applications in broadband networks.

The requirements are grouped into modules. This means that an RG can be specified by listing the modules that the RG is expected to support. No single device is expected to support all modules.

TR-124 Issue 2 updated TR-124 Issue 1 to include requirements for IPv6.

TR-124 Issue 3 clarifies and corrects TR-124 Issue 2 and defines new profiles.

TR-124 Issue 4 defines the following new profiles:

IF.LAN.HomePlugAV2

IF.LAN.WIRELESS.AP.ERP-Authenticator EAP reauthenticator (ERP)

LAN.SIPserver

LAN.SIPmixer

LAN.Interworking.UE-Authentication 3GPP User Equipment Authentication Support

MGMT.UPnP.IGD.ACRF UPnP IGD to allow Connection Request Forwarding

WAN.DHCPv4.ERP EAP reauthenticator (ERP) DHCPv4 Client

WAN.DHCPv6.ERP EAP reauthenticator (ERP) DHCPv6 Client

WAN.L2TPclient L2tp VPN Remote Access

WAN.PCP Port Control Protocol

1 Purpose and Scope

1.1 Purpose

TR-124 presents a superset of requirements for broadband Residential Gateway devices that are capable of supporting a full suite of voice, data, broadcast video, video on demand and two-way video applications in broadband networks.

1.2 Scope

A Residential Gateway implementing the general requirements of TR-124 will incorporate at least one embedded WAN interface, routing, bridging, a basic or enhanced firewall, one or multiple LAN interfaces and home networking functionality that can be deployed as a consumer self-installable device.

TR-124 specifies a baseline of Residential Gateway device and application functions needed to support service delivery in routed and bridged broadband network architectures. Devices can be specified that will operate on any of the different types of Broadband Forum defined network architectures. This allows service providers to configure a Residential Gateway supporting specified TR-124 modular requirements locally via TR-064 and Web Graphical User Interface or remotely via TR-069.

TR-124 provides optional requirements modules for various physical broadband interfaces (e.g. xDSL, Ethernet, GPON) and home networking (LAN) interfaces that may be implemented on Residential Gateways to meet local service provider needs. Furthermore, to accommodate common region-specific service provider requirements that do not apply globally, additional regional annexes are included in the TR-124 requirements that may be included in region-specific product profiles (e.g. North American Power and Environmental requirements).

It is intended that these general requirements modules and WAN/LAN interface modules can be used as references to define a specific product implementation that may be needed in future Broadband Forum Technical Reports. This checklist style product profile approach (shown in the Product Profile Template section in APPENDIX VI) is intended to provide an easy mechanism to define a specific product that is needed by region or by service providers. An example of such a product profile is TR-068 *Base Requirements for an ADSL Modem with Routing*, which refers to TR-124 feature modules and regional annexes.

These requirements are both backward and forward-looking. They attempt to address the needs of current DSL services and architectures as well as starting to address future needs. Some requirements have been included in support of TR-059, TR-064, TR-069, TR-101 and TR-122. Any CPE that claims to be compliant with these technical requirements must meet the requirements that reference those documents. It is understood that a CPE that does not claim to be compliant with these referenced requirements may or may not meet any or all of these requirements. On a periodic basis new general requirements and physical interface modules may be added in future revisions of TR-124.

2 References and Terminology

2.1 Conventions

In this Technical Report, several words are used to signify the requirements of the specification. These words are always capitalized.

MUST	This word, or the term “REQUIRED”, means that the definition is an absolute requirement of the specification.
MUST NOT	This phrase means that the definition is an absolute prohibition of the specification.
SHOULD	This word, or the term “RECOMMENDED”, means that there could exist valid reasons in particular circumstances to ignore this item, but the full implications need to be understood and carefully weighed before choosing a different course.
SHOULD NOT	This phrase, or the phrase "NOT RECOMMENDED" means that there could exist valid reasons in particular circumstances when the particular behavior is acceptable or even useful, but the full implications need to be understood and the case carefully weighed before implementing any behavior described with this label.
MAY	This word, or the term “OPTIONAL”, means that this item is one of an allowed set of alternatives. An implementation that does not include this option MUST be prepared to inter-operate with another implementation that does include the option.
By Default	These words indicate that this is a default setting or operation of the unit that MUST be configurable if provided. This term is not included in RFC 2119 [57].

Other residential gateway type features not identified in this document may also be implemented in the device. An implementation that includes features not identified in this document must be prepared to inter-operate with implementations that do not include these features.

References to CPE or LAN devices indicate other equipment such as hosts including PCs and workstations.

In certain cases TR-124 generically refers to new LAN or WAN interface performance monitoring data parameters that have not been specifically defined in the requirements at the time of the publishing of this document. As these requirements are not yet defined, it is expected that vendors may support parameter extensions and basic interface traffic performance statistics until such a time that the Broadband Forum defines further Technical Reports to support new interface parameter data models for possible use with TR-064, TR-069 and the web GUI.

2.2 References

The following references constitute provisions of this Technical Report. At the time of publication, the editions indicated were valid. All references are subject to revision; users of this Technical Report are therefore encouraged to investigate the possibility of applying the most recent edition of the references listed below.

A list of currently valid Broadband Forum Technical Reports is published at www.broadband-forum.org.

NOTE – A number of IETF drafts are cited in this document. Due to the fact that home networking standards and technology are still being rapidly developed, this was considered necessary. If subsequent drafts or RFCs are published, they will obsolete the draft cited in this document.

Document	Title	Source	Year
[1] ANSI/TIA-968-B	<i>Telecommunications – Telephone Terminal Equipment – Technical Requirements for Connection of Terminal Equipment to the Telephone Network</i>	ANSI/TIA	2012
[2] TR-059	<i>DSL Evolution – Architecture Requirements for the Support of QoS-Enabled IP Services</i>	BBF	2003
[3] TR-062	<i>Auto-Config for the Connection Between the DSL Broadband Network Termination (B-NT) and the Network using ATM (TR-037 update)</i>	BBF	2003
[4] TR-064	<i>LAN-Side CPE Configuration Specification</i>	BBF	2004
[5] TR-067 Issue 2	<i>ADSL Interop Test Plan (formerly TR-048)</i>	BBF	2006
[6] TR-068 Issue 3	<i>Base requirement for an ADSL Modem with Routing</i>	BBF	2006
[7] TR-069 Amendment 5	<i>CPE WAN Management Protocol</i>	BBF	2013
[8] TR-098 Amendment 2	<i>Internet Gateway Device Data Model for TR-069. Provides the background and non-normative descriptions of the Internet Gateway Device Data Model, which can be found at http://www.broadband-forum.org/cwmp</i>	BBF	2008
[9] tr-098-1-8.xml	<i>TR-069 InternetGatewayDevice:1.14 Root Object definition</i>	BBF	2014

Document	Title	Source	Year
[10] tr-181-2-8-0.xml	<i>TR-069 Device:2.8 Root Object definition</i>	BBF	2014
[11] TR-101 Issue 2	<i>Migration to Ethernet Based Broadband Aggregation</i>	BBF	2011
[12] TR-106 Amendment 7	<i>Data Model Template for TR-069-Enabled Devices</i>	BBF	2013
[13] TR-114 Issue 2	<i>VDSL2 Performance Test Plan</i>	BBF	2012
[14] TR-115 Issue 2	<i>VDSL2 Functionality Test Plan</i>	BBF	2012
[15] TR-122 Amendment 1	<i>Base Requirements for Consumer-Oriented Analog Terminal Adapter Functionality</i>	BBF	2006
[16] TR-133	<i>DSLHome TR-064 Extensions for Service Differentiation</i>	BBF	2005
[17] TR-142 Issue 2	<i>Framework for TR-069 enabled PON Devices</i>	BBF	2010
[18] FCC Part 15	<i>FCC Rules and Regulations Part 15 - Radio Frequency Devices</i>	FCC	
[19] FCC Part 68	<i>FCC Rules and Regulations Part 68 - Connection of Terminal Equipment to the Telephone Network</i>	FCC	
[20] EN61000-4-4:2004	<i>Electromagnetic compatibility (EMC). Testing and measurement techniques.</i>	IEC	2005
[21] EN61000-4-5: 1995	<i>Electromagnetic compatibility (EMC). Testing and measurement techniques. Surge immunity test.</i>	IEC	1995
[22] 802.1D	<i>IEEE standard for local and metropolitan area networks--Media access control (MAC) Bridges</i>	IEEE	2004
[23] 802.1Q	<i>IEEE Standards for Local and metropolitan area networks—Virtual Bridged Local Area Networks</i>	IEEE	2011
[24] 802.1X	<i>IEEE Standard for Local and metropolitan area networks – Port-Based Network Access Control</i>	IEEE	2010

Document	Title	Source	Year
[25] 802.3	<i>IEEE standard for information technology – Telecommunications and information exchange between systems – Local and metropolitan area networks – Specific requirements Part 3: Carrier sense multiple access with collision detection (CSMA/CD) access method and physical layer specifications</i>	IEEE	2012
[26] 802.11	<i>Wireless LAN Medium Access Control (MAC) and Physical Layer (PHY) Specifications</i>	IEEE	2012
[27] RFC 768	<i>User Datagram Protocol</i>	IETF	1980
[28] RFC 791	<i>Internet Protocol</i>	IETF	1981
[29] RFC 792	<i>Internet Control Message Protocol</i>	IETF	1981
[30] RFC 793	<i>Transmission Control Protocol</i>	IETF	1981
[31] RFC 826	<i>An Ethernet Address Resolution Protocol</i>	IETF	1982
[32] RFC 894	<i>A Standard for the Transmission of IP Datagrams over Ethernet Networks</i>	IETF	1984
[33] RFC 922	<i>Broadcasting Internet datagrams in the presence of subnets</i>	IETF	1984
[34] RFC 950	<i>Internet standard subnetting procedure</i>	IETF	1985
[35] RFC 959	<i>File Transfer Protocol (FTP)</i>	IETF	1985
[36] RFC 1034	<i>Domain Names - Concepts and Facilities</i>	IETF	1987
[37] RFC 1035	<i>Domain Names - Implementation and Specification</i>	IETF	1987
[38] RFC 1042	<i>A Standard for the Transmission of IP Datagrams over IEEE 802 Networks</i>	IETF	1988
[39] RFC 1112	<i>Host Extensions for IP Multicasting</i>	IETF	1989
[40] RFC 1122	<i>Requirements for Internet Hosts – Communication Layers</i>	IETF	1989
[41] RFC 1123	<i>Requirements for Internet Hosts – Application and Support</i>	IETF	1989
[42] RFC 1191	<i>Path MTU Discovery</i>	IETF	1990
[43] RFC 1256	<i>ICMP Router Discovery Messages</i>	IETF	1991
[44] RFC 1305	<i>Network Time Protocol (Version 3) Specification, Implementation and Analysis</i>	IETF	1992

Document	Title	Source	Year
[45] RFC 1332	<i>The PPP Internet Protocol Control Protocol (IPCP)</i>	IETF	1992
[46] RFC 1334	<i>PPP Authentication Protocols (PAP)</i>	IETF	1992
[47] RFC 1570	<i>PPP LCP Extensions</i>	IETF	1994
[48] RFC 1661	<i>The Point-to-Point Protocol (PPP)</i>	IETF	1994
[49] RFC 1812	<i>Requirements for IP Version 4 Routers</i>	IETF	1995
[50] RFC 1867	<i>Form-based File Upload in HTML</i>	IETF	1995
[51] RFC 1877	<i>PPP Internet Protocol Control Protocol Extensions for Name Server Addresses</i>	IETF	1995
[52] RFC 1918	<i>Address Allocation for Private Internets</i>	IETF	1996
[53] RFC 1928	<i>SOCKS Protocol Version 5</i>	IETF	1996
[54] RFC 1990	<i>The PPP Multilink Protocol (MP)</i>	IETF	1996
[55] RFC 1994	<i>PPP Challenge Handshake Authentication Protocol (CHAP)</i>	IETF	1996
[56] RFC 2091	<i>Triggered Extensions to RIP to Support Demand Circuits</i>	IETF	1997
[57] RFC 2119	<i>Key words for use in RFCs to Indicate Requirement Levels</i>	IETF	1997
[58] RFC 2131	<i>Dynamic Host Configuration Protocol</i>	IETF	1997
[59] RFC 2132	<i>DHCP Options and BOOTP Vendor Extensions</i>	IETF	1997
[60] RFC 2153	<i>PPP Vendor Extensions</i>	IETF	1997
[61] RFC 2181	<i>Clarifications to the DNS Specification</i>	IETF	1997
[62] RFC 2225	<i>Classical IP and ARP over ATM</i>	IETF	1998
[63] RFC 2326	<i>Real time streaming protocol (RTSP)</i>	IETF	1998
[64] RFC 2364	<i>PPP over AAL5</i>	IETF	1998
[65] RFC 2388	<i>Returning Values from Forms: multipart/form-data</i>	IETF	1998
[66] RFC 2453	<i>RIP Version 2</i>	IETF	1998
[67] RFC 2460	<i>Internet Protocol, Version 6 (IPv6) Specification</i>	IETF	1998
[68] RFC 2464	<i>Transmission of IPv6 Packets over Ethernet Networks</i>	IETF	1998
[69] RFC 2473	<i>Generic Packet Tunneling in IPv6 Specification</i>	IETF	1998

Document	Title	Source	Year
[70] RFC 2474	<i>Definition of the Differentiated Services Field (DS Field) in the IPv4 and IPv6 Headers</i>	IETF	1998
[71] RFC 2475	<i>An Architecture for Differentiated Services</i>	IETF	1998
[72] RFC 2492	<i>IPv6 over ATM Networks</i>	IETF	1999
[73] RFC 2516	<i>A Method for Transmitting PPP Over Ethernet (PPPoE)</i>	IETF	1999
[74] RFC 2597	<i>Assured Forwarding PHB Group</i>	IETF	1999
[75] RFC 2616	<i>Hypertext Transfer Protocol -- HTTP/1.1</i>	IETF	1999
[76] RFC 2661	<i>Layer Two Tunneling Protocol (L2TP)</i>	IETF	1999
[77] RFC 2663	<i>IP Network Address Translator (NAT) Terminology and Considerations</i>	IETF	1999
[78] RFC 2684	<i>Multiprotocol Encapsulation over ATM Adaptation Layer 5</i>	IETF	1999
[79] RFC 2818	<i>HTTP Over TLS</i>	IETF	2000
[80] RFC 2939	<i>Procedures and IANA Guidelines for Definition of New DHCP Options and Message Types</i>	IETF	2000
[81] RFC 3022	<i>Traditional IP Network Address Translator (Traditional NAT)</i>	IETF	2001
[82] RFC 3027	<i>Protocol Complications with the IP Network Address Translator</i>	IETF	2001
[83] RFC 3046	<i>DHCP Relay Agent Information Option</i>	IETF	2001
[84] RFC 3145	<i>L2TP Disconnect Cause Information</i>	IETF	2001
[85] RFC 3203	<i>DHCP reconfigure extension</i>	IETF	2001
[86] RFC 3246	<i>An Expedited Forwarding PHB (Per-Hop Behavior)</i>	IETF	2002
[87] RFC 3260	<i>New Terminology and Clarifications for Diffserv</i>	IETF	2002
[88] RFC 3261	<i>SIP: Session Initiation Protocol</i>	IETF	2002
[89] RFC 3315	<i>Dynamic Host Configuration Protocol for IPv6 (DHCPv6)</i>	IETF	2003
[90] RFC 3376	<i>Internet Group Management Protocol, Version 3</i>	IETF	2002
[91] RFC 3544	<i>IP Header Compression over PPP</i>	IETF	2003

Document	Title	Source	Year
[92] RFC 3550	<i>RTP: A Transport Protocol for Real-Time Applications</i>	IETF	2003
[93] RFC 3579	<i>RADIUS (Remote Authentication Dial In User Service) Support For extensible authentication protocol (EAP)</i>	IETF	2003
[94] RFC 3596	<i>DNS Extensions to Support IP Version 6</i>	IETF	2003
[95] RFC 3633	<i>IPv6 Prefix Options for Dynamic Host Configuration Protocol (DHCP) version 6</i>	IETF	2003
[96] RFC 3646	<i>DNS Configuration options for Dynamic Host Configuration Protocol for IPv6 (DHCPv6)</i>	IETF	2003
[97] RFC 3810	<i>Multicast Listener Discovery Version 2 (MLDv2) for IPv6</i>	IETF	2004
[98] RFC 3901	<i>DNS IPv6 Transport Operational Guidelines</i>	IETF	2004
[99] RFC 3925	<i>Vendor-Identifying Vendor Options for Dynamic Host Configuration Protocol version 4 (DHCPv4)</i>	IETF	2004
[100] RFC 3931	<i>Layer Two Tunneling Protocol – Version 3 (L2TPv3)</i>	IETF	2005
[101] RFC 3947	<i>Negotiation of NAT Traversal in the IKE</i>	IETF	2005
[102] RFC 3948	<i>UDP Encapsulation of IPsec ESP packets</i>	IETF	2005
[103] RFC 4072	<i>Diameter extensible authentication protocol (EAP) application</i>	IETF	2005
[104] RFC 4075	<i>Simple Network Time Protocol (SNTP) Configuration Option for DHCPv6</i>	IETF	2005
[105] RFC 4191	<i>Default Router Preferences and More-Specific Routes</i>	IETF	2005
[106] RFC 4193	<i>Unique Local IPv6 Unicast Addresses</i>	IETF	2005
[107] RFC 4213	<i>Basic Transition Mechanisms for IPv6 Hosts and Routers</i>	IETF	2005
[108] RFC 4241	<i>A Model of IPv6/IPv4 Dual Stack Internet Access Service</i>	IETF	2005
[109] RFC 4301	<i>Security architecture for the Internet Protocol</i>	IETF	2005
[110] RFC 4302	<i>IP authentication header</i>	IETF	2005
[111] RFC 4303	<i>IP encapsulating security payload (ESP)</i>	IETF	2005

Document	Title	Source	Year
[112] RFC 4306	<i>Internet key Exchange (IKEv2) Protocol</i>	IETF	2005
[113] RFC 4330	<i>Simple Network Time Protocol (SNTP) Version 4 for IPv4, IPv6 and OSI</i>	IETF	2006
[114] RFC 4361	<i>Node-specific Client Identifiers for Dynamic Host Configuration Protocol Version Four (DHCPv4)</i>	IETF	2006
[115] RFC 4443	<i>Internet Control Message Protocol (ICMPv6) for the Internet Protocol Version 6 (IPv6) Specification</i>	IETF	2006
[116] RFC 4541	<i>Considerations for Internet Group Management Protocol (IGMP) and Multicast Listener Discovery (MLD) Snooping Switches</i>	IETF	2006
[117] RFC 4605	<i>Internet Group Management Protocol (IGMP) /Multicast Listener Discovery (MLD)-Based Multicast Forwarding ("IGMP/MLD Proxying")</i>	IETF	2006
[118] RFC 4632	<i>Classless Inter-domain Routing (CIDR): The Internet Address Assignment and Aggregation Plan</i>	IETF	2006
[119] RFC 4638	<i>Accommodating a Maximum Transit Unit/Maximum Receive Unit (MTU/MRU) Greater Than 1492 in the Point-to-Point Protocol over Ethernet (PPPoE)</i>	IETF	2006
[120] RFC 4704	<i>The Dynamic Host Configuration Protocol for IPv6 (DHCPv6) Client Fully Qualified Domain Name (FQDN) Option</i>	IETF	2006
[121] RFC 4861	<i>Neighbor Discovery for IP version 6 (IPv6)</i>	IETF	2007
[122] RFC 4862	<i>IPv6 Stateless Address Autoconfiguration</i>	IETF	2007
[123] RFC 5072	<i>IP version 6 over PPP</i>	IETF	2007
[124] RFC 5172	<i>Negotiation for IPv6 Datagram Compression Using IPv6 Control Protocol</i>	IETF	2008
[125] RFC 5176	<i>Dynamic Authorization Extensions to Remote Authentication Dial In User Service (RADIUS)</i>	IETF	2008
[126] RFC 5246	<i>The Transport Layer Security (TLS) Protocol Version 1.2</i>	IETF	2008
[127] RFC 5247	<i>Extensible Authentication Protocol (EAP) Key Management Framework</i>	IETF	2008

Document	Title	Source	Year
[128] RFC 5280	<i>Internet X.509 Public Key Infrastructure Certificate and Certificate Revocation List (CRL) Profile</i>	IETF	2008
[129] RFC 5625	<i>DNS Proxy Implementation Guidelines</i>	IETF	2009
[130] RFC 5881	<i>Bidirectional forwarding detection (BFD) for IPv4 and IPv6 (single hop)</i>	IETF	2010
[131] RFC 5969	<i>IPv6 Rapid Deployment on IPv4 Infrastructures (6rd) – Protocol Specification</i>	IETF	2010
[132] RFC 5996	<i>Internet Key Exchange Protocol Version 2 (IKEv2)</i>	IETF	2010
[133] RFC 6092	<i>Recommended Simple Security Capabilities in Customer Premises Equipment (CPE) for Providing Residential IPv6 Internet Service</i>	IETF	2011
[134] RFC 6106	<i>IPv6 Router Advertisement Options for DNS Configuration</i>	IETF	2010
[135] RFC 6333	<i>Dual-Stack Lite Broadband Deployments Following IPv4 Exhaustion</i>	IETF	2011
[136] RFC 6334	<i>Dynamic Host Configuration Protocol for IPv6 (DHCPv6) Option for Dual-Stack Lite</i>	IETF	2011
[137] RFC 6422	<i>Relay-Supplied DHCP Options</i>	IETF	2011
[138] RFC 6434	<i>IPv6 Node Requirements</i>	IETF	2011
[139] RFC 6440	<i>The EAP Re-authentication Protocol (ERP) Local Domain Name DHCPv6 Option</i>	IETF	2011
[140] RFC 6696	<i>EAP Extensions for the EAP Re-authentication Protocol (ERP)</i>	IETF	2012
[141] RFC 6704	<i>Forcerenew Nonce Authentication</i>	IETF	2013
[142] RFC 6731	<i>Improved Recursive DNS Server Selection for Multi-Interfaced Nodes</i>	IETF	2013
[143] RFC 6887	<i>Port Control Protocol (PCP)</i>	IETF	2013
[144] RFC 6970	<i>Universal Plug and Play (UPnP) Internet Gateway Device-Port Control Protocol Interworking Function(IGD-PCP IWF)</i>	IETF	2013
[145] RFC 7078	<i>Distributing address selection policy using DHCPv6</i>	IETF	2014
[146] RFC 7291	<i>DHCP Options for the Port Control Protocol (PCP)</i>	IETF	2014

Document	Title	Source	Year
[147] draft-ietf-mif-dhcpv6-route-option	<i>DHCPv6 route options</i>	IETF	2012
[148] draft-ietf-pcp-proxy	<i>Port Control Protocol (PCP) Proxy Function</i>	IETF	2014
[149] draft-ietf-pcp-port-set	Port Control Protocol (PCP) Extension for Port Set Allocation	IETF	2014
[150] ICES-003	Information Technology Equipment (ITE) — Limits and methods of measurement	Industry Canada	2012
[151] ISO 8601	<i>Data elements and interchange formats – Information interchange – Representation of dates and times</i>	ISO/IEC	2004
[152] G.984.1	<i>Gigabit-capable Passive Optical Networks (GPON): General characteristics</i>	ITU-T	2003
[153] G.984.2	<i>Gigabit-capable Passive Optical Networks (GPON): Physical Media Dependent (PMD) layer specification</i>	ITU-T	2003
[154] G.984.2 Amd1	<i>Gigabit-capable Passive Optical Networks (G-PON): Physical Media Dependent (PMD) layer specification Amendment 1: New Appendix III – Industry best practice for 2.488 Gbit/s downstream, 1.244 Gbit/s upstream G-PON</i>	ITU-T	2006
[155] G.984.3	<i>Gigabit-capable Passive Optical Networks (GPON): Transmission convergence layer specification</i>	ITU-T	2008
[156] G.988	<i>Optical network unit management and control interface(OMCI) specification</i>	ITU-T	2012
[157] G.992.1	<i>Asymmetric digital subscriber line (ADSL) transceivers</i>	ITU-T	1999
[158] G.992.3	<i>Asymmetric digital subscriber line transceivers 2 (ADSL2)</i>	ITU-T	2009
[159] G.992.5	<i>Asymmetric digital subscriber line 2 transceivers (ADSL2) – Extended bandwidth ADSL2 (ADSL2plus)</i>	ITU-T	2009
[160] G.993.2	<i>Very high speed digital subscriber line transceivers 2 (VDSL2)</i>	ITU-T	2011
[161] G.9954	<i>Home networking transceivers - Enhanced physical, media access, and link layer specifications</i>	ITU-T	2007

Document	Title	Source	Year
[162] G.997.1	<i>Physical layer management for digital subscriber line (DSL) transceivers</i>	ITU-T	2012
[163] G.998.1	<i>ATM-based multi-pair bonding</i>	ITU-T	2005
[164] G.998.2	<i>Ethernet-based multi-pair bonding</i>	ITU-T	2005
[165] G.9960	<i>Unified high-speed wireline-based home networking transceivers – System architecture and physical layer specification</i>	ITU-T	2011
[166] G.9961	<i>Unified high-speed wireline-based home networking transceivers – Data link layer specification</i>	ITU-T	2010
[167] G.9964	<i>Unified high-speed wireline-based home networking transceivers – Specification of spectrum related components</i>	ITU-T	2011
[168] I.610	<i>B-ISDN operation and maintenance principles and functions</i>	ITU-T	1999
[169] X.509	<i>Information technology – Open systems interconnection – The Directory: Public-key and attribute certificate frameworks</i>	ITU-T	2012
[170] T1-413	<i>Network and Customer Installation Interfaces – Asymmetric Digital Subscriber Line (ADSL) Metallic Interface</i>	ANSI	1998
[171] T1-413a	<i>Telecommunications – Network and customer installation interfaces – Asymmetric digital subscriber line (ADSL) metallic interface (supplement to ATIS T1.413:1998).</i>	ATIS	2001
[172] ATIS 0600421:2001 (R2011)	<i>In-Line Filter for Use with Voiceband Terminal Equipment Operating on the Same Wire Pair with High Frequency (up To 12 MHz) Devices</i>	ANSI	2001
[173] ATIS 0600427.01:2004 (R2009)	<i>ATM-based Multi-pair Bonding</i>	ATIS	2004
[174] ATIS 0600427.02.2005(R21010)	<i>Ethernet-based Multi-Pair Bonding</i>	ATIS	2005
[175] UL 1310	<i>Standard for Class 2 Power Units</i>	UL	2011
[176] UL 60950-1	<i>Safety of Information Technology Equipment</i>	UL	2003

Document	Title	Source	Year
[177] AF-TM-0121.000	<i>Traffic management specification, version 4.1</i>	ATM Forum	1999
[178] UPnP InternetGatewayDevice:2	<i>InternetGatewayDevice:2 Device Template Version 1.01</i>	UPnP Forum	2010
[179] UPnP WANIPConnection:2	<i>WANIPConnection:2 Service</i>	UPnP Forum	2010
[180] UPnP WANPPPPConnection:1	<i>WANPPPPConnection:1 Service Template Version 1.01</i>	UPnP Forum	2001
[181] UPnP WANIPv6FirewallControl:1	<i>WANIPv6FirewallControl:1 Service</i>	UPnP Forum	2010
[182] HomePlugAV2	<i>HomePlug™ AV2 Technology</i>	HomePlug Alliance	2012

The following information is given for the convenience of users of this Technical Report and does not constitute an endorsement by the Broadband Forum of these products:

- Safari® is a registered trademark of Apple Computer, Inc.
- HomePlug® is a registered trademark of HomePlug Powerline Alliance, Inc.
- HomePNA® is a registered trademark of HomePNA, Inc.
- IEEE® is a registered trademark of the Institute of Electrical and Electronics Engineers, Inc. (IEEE). This publication is not endorsed by the IEEE.
- Internet Explorer® and Microsoft® are registered trademarks of Microsoft Corporation.
- Java® and JavaScript® are registered trademarks of Sun Microsystems, Inc.
- Mozilla® is a registered trademark of the Mozilla Foundation.
- Wi-Fi® is a registered trademark of the Wi-Fi Alliance
- WPA, WPA2, Protected Setup, WMM and WMM-SA are trademarks of the Wi-Fi Alliance

2.3 Definitions

The following terminology is used throughout this Technical Report.

RG	A residential gateway (RG) is a device that interfaces between the WAN and LAN IP environment for a consumer broadband customer. It may route or bridge traffic, depending on its configuration and specifications. The term RG is retained for historical continuity, even though some features may be directed at business applications.
Device	Unless otherwise qualified, the term <i>device</i> refers to an RG.
Configurable	A requirement for configurability does not imply any particular configuration interface. When specific user or TR-069 or other configurability is required, the requirement is stated explicitly.

Enabling	Likewise, controllability requirements, for example to enable or disable a feature, do not imply a control interface.
Logs	Likewise, requirements for logging do not imply log configurability and retrieval on any particular interface unless stated explicitly.
GUI	The term GUI or web GUI implies access to the RG that is visible to the end user. The use of this term in a requirement is an assertion that control or information display is available to the end user.
Operator-specific configuration	Many requirements specify defaults, but then add the phrase, “or use an operator-specific configuration.” This phrase recognizes that operators may override TR-124 requirements when necessary to satisfy their specific needs.
Connection	As used in this document, a connection is the continuing ability to communicate over a pair of IP addresses.
Load sharing	<p>The ability to divide the working load of a task over multiple sources.</p> <p>Examples:</p> <p>A web service that is run by a web server. For incoming traffic this can be divided over multiple servers by load sharing.</p> <p>A communication link that is supporting a communication task. Various links can be used to divide the communication load by load sharing. This can be for incoming and outgoing traffic.</p>
Load balancing	<p>The ability to divide the working load of a task over multiple sources in an equal way. Examples:</p> <p>A web service that is run by a web server. For incoming traffic this can be equally divided over multiple servers by a load balancer.</p> <p>A communication link that is supporting a communication task. Various links can be used to equally divide the communication load by a load balancer. This can be for incoming and outgoing traffic.</p> <p>Thus, load balancing is only one form of load sharing: load balancing is load sharing where the load is equally divided over the sources. What defines “equal” depends on the use case and metrics used.</p>
Failover	<p>The ability to automatically switch to another source when a source becomes unavailable. Examples:</p> <p>A web server becomes unavailable. For incoming traffic, failover automatically provides another web server to take over the operation.</p> <p>A communication link becomes unavailable. Via failover, another link automatically takes over the communication task.</p>
Backup	<p>The ability to take over a task when a source becomes unavailable. Examples:</p> <p>A web server becomes unavailable. For incoming traffic, backup provides another web server to take over the operation.</p> <p>A communication link becomes unavailable. Via backup, another link takes over the communication task.</p>

2.4 Abbreviations

This Technical Report defines the following abbreviations:

AAA	Authentication, Authorization and Accounting
AAL	ATM Adaptation Layer
ac	alternating current
ADSL	Asynchronous Digital Subscriber Line
AFTR	Address family transition router
ALG	Application Layer Gateway
ANSI	American National Standards Institute
ASCII	American Standard Code for Information Interchange
ATA	Analog Terminal Adapter
ATM	Asynchronous Transfer Mode
BFD	Bidirectional forwarding detection
CPE	Customer Premises Equipment
CRC	Cyclic Redundancy Check
CSA	Canadian Standards Association
DAD	Duplicate address detection
DHCP	Dynamic Host Configuration Protocol
DLNA	Digital living network alliance (www.dlna.org)
DNS	Domain Name Server
DoS	Denial of Service
DSCP	Differentiated Services Code Point
DSL	Digital Subscriber Line
DUID	DHCP Unique Identifier
DUID-EN	DUID based Enterprise Number
FCC	Federal Communications Commission
FQDN	Fully Qualified Domain Name
GMT	Greenwich Mean Time
GUI	Graphical User Interface
HTML	Hypertext Markup Language
HTTP	Hypertext Transfer Protocol
HTTPS	Secure Hypertext Transfer Protocol
Hz	Hertz
IAID	Identification Association Identifier
IEEE®	The Institute of Electrical and Electronics Engineers
IETF	The Internet Engineering Task Force
INP	Impulse noise protection
IP	Internet Protocol
IPCP	Internet Protocol Control Protocol

ISO	International Organization for Standardization
ITU	International Telecommunication Union
Kbps	kilobits per second
LAN	Local Area Network
LPF	Low-pass filter
MAC	Medium Access Control
MRU	Maximum Receive Unit
ms	millisecond
MTBF	Mean Time Between Failure
MTU	Maximum Transit Unit
NAT	Network Address Translation
NTP	Network Time Protocol
ONU	Optical Network Unit
PC	Personal Computer
PD	Prefix Delegation
POTS	Plain Old Telephone Service
PPP	Point to Point Protocol
PVC	Permanent Virtual Circuit
RA	Router Advertisement
RG	Residential Gateway
RTSP	Real time streaming protocol
SIP	Session Initiation Protocol
SN	Serial Number
SNTP	Simple Network Time Protocol
SSL	Secure Sockets Layer
TCP	Transmission Control Protocol
TLS	Transport Layer Security
TR	Technical Report
UDP	User Datagram Protocol
UL	Underwriters Laboratories
ULA	User licensing agreement
ULC	Underwriters Laboratories Canada
USB	Universal Serial Bus
Vac	Volts ac
VCI	Virtual Circuit Identifier
Vdc	Volts dc
VDSL	Very high-speed Digital Subscriber Line
VID	VLAN Identifier

VLAN	Virtual LAN
VoIP	Voice over IP
VPI	Virtual Path Identifier
WAN	Wide Area Network
WEP	Wireless Encryption Protocol
Wi-Fi®	Wi-Fi Alliance wireless standards organization
WPA	Wi-Fi Protected Access

3 Technical Report Impact

3.1 Energy Efficiency

TR-124 contains regional power requirements for Residential Gateway (RG) devices. In general, there is an expectation that these devices will meet all local regulatory requirements for powering and energy consumption.

3.2 IPv6

Issue 2 of this Technical Report was published specifically to provide requirements needed for deployment of IPv6 capable RGs. Issue 3 includes a number of minor extensions, corrections and clarifications.

3.3 Security

The requirements in TR-124 are intended to provide a reasonably secure environment for general consumers, while ensuring that the functionality is usable by consumers, such that they do not feel that the degree of security is preventing them from accomplishing what they want to do.

The requirements are also intended to ensure that the RG does not have a negative impact on the security of the access network and other users of the access network.

3.4 Privacy

TR-124 does not explicitly address privacy requirements.

4 Residential Gateway Requirements

Section	Item	Requirements
GEN		General Device Requirements
DESIGN		Design
GEN.DESIGN.	1	The RG MUST be compact and have a physical profile suitable for a desktop.
GEN.DESIGN.	2	The RG SHOULD be able to be wall mounted and stand on its side.
GEN.DESIGN.	3	The RG MAY have the ability to be mounted horizontally or vertically.
GEN.DESIGN.	4	If wall mounted, the RG SHOULD be oriented so that the cabling is routed toward the ground in order to reduce strain on the cabling.
GEN.DESIGN.	5	A detachable wall-mounting bracket MAY be added to the RG.
GEN.DESIGN.	6	The power connector at the RG MUST be securely connected to avoid accidental disconnect. This means that the connector MUST be either secured via a clip to the box or be held in place with significant force so that it does not readily pull out by minor pulling on the power cord.
GEN.DESIGN.	7	If the power supply is external to the RG, it SHOULD be labeled with the RG vendor's name and the model number of the RG.
GEN.DESIGN.	8	If the power supply is external to the RG it SHOULD be either small enough, or appropriately positioned on the power cord, so as not to block other power outlets.
GEN.DESIGN.	9	If the power cable includes an AC to DC conversion brick, that brick MAY have a light on it.
GEN.DESIGN.	10	The RG MUST NOT be USB powered.
GEN.DESIGN.	11	The RG MUST NOT use the local phone loop for power.
GEN.DESIGN.	12	The model and serial number of the RG MUST be visible via external markings on the RG.
GEN.DESIGN.	13	The model and serial number of the RG MUST be visible via external markings on the RG packaging.
GEN.DESIGN.	14	If a console port used for local technician configuration is provided on the RG, it SHOULD NOT be physically accessible to end users (e.g. it should not be placed on the outside of the device).
GEN.DESIGN.	15	The RG MUST have a single function reset button in order to reset the device to the default factory settings.

Section	Item	Requirements
OPS		Device Operation
GEN.OPS.	1	All RG firmware and associated system files MUST be pre-installed.
GEN.OPS.	2	The RG MUST operate 24 hours a day, 7 days a week without the need to reboot.
GEN.OPS.	3	The MTBF (Mean Time Between Failures) of the RG and operating system SHOULD be equal to or exceed 1 year (e.g. it should not need a reboot more than one time per year).
GEN.OPS.	4	The life expectancy of the RG SHOULD be at least seven years.
GEN.OPS.	5	The RG SHOULD tolerate power fluctuations and brown-outs, continuing to operate normally and maintaining its configuration after these events.
GEN.OPS.	6	The RG SHOULD be able to detect faults and reset appropriately upon detection.
GEN.OPS.	7	The RG SHOULD include sufficient non-volatile memory to accommodate future control and data plane protocol upgrades over a minimum of four years. The potential upgrades may include: initiating and terminating signaling protocols at IP and ATM layers; logic for packet classification, policing, forwarding, traffic shaping and QoS support at IP, Ethernet and ATM layers.
GEN.OPS.	8	The RG MUST preserve local configuration information during power-off and power interruption.
GEN.OPS.	9	The RG MUST complete power up in 60 seconds or less.
GEN.OPS.	10	The RG SHOULD be self-installable by an end user in under 20 minutes assuming the default configuration and mode of operation. This is the time from when the box is opened to when the user is using the service including any driver installation (assuming no network complications and excluding micro-filter installation and customer ordering/registration).
GEN.OPS.	11	Other than networking drivers (e.g. USB, wireless, etc...), other software or drivers MUST NOT be required on computers and other devices for proper and full use of the RG.
GEN.OPS.	12	The RG, its drivers and any packaged software SHOULD support Macintosh OS 8.6 and above.
GEN.OPS.	13	The RG, its drivers and any packaged software SHOULD support all Microsoft PC based operating systems that have not yet reached "End of Support" status (see http://support.microsoft.com/lifecycle for more details).
GEN.OPS.	14	The RG, its drivers and any packaged software MAY support Linux. It is especially desirable to do so with an open interface.

Section	Item	Requirements
GEN.OPS.	15	The RG MUST preserve its configuration across firmware updates.
GEN.OPS.	16	All software revisions SHOULD be backward compatible with all previous versions. There SHOULD be no loss of existing functionality.
GEN.OPS.	17	Software revisions MUST NOT require service provider network changes to maintain proper operation of previous features.
GEN.OPS.	18	The RG firmware MUST be identified by a revision number. This revision number MUST be formatted using an X.Y.Z incremental numbering format where X indicates the major release number, Y indicates the minor release number, and Z represents the revision number (e.g. 2.4.1).
GEN.OPS.	19	The RG vendor SHOULD have a web site where firmware updates and documentation are available.
GEN.OPS.	20	The firmware at the RG vendor's web site SHOULD include all error correcting updates for the RG.
GEN.OPS.	21	The RG MUST NOT allow "back door" entry to the unit (e.g. there must be no hidden telnet or web access using secret passwords). This requirement is not intended to preclude physically secured craft access in accordance with GEN.DESIGN.14.
GEN.OPS.	22	All firmware updates MUST be verified using security mechanisms. A checksum mechanism is a minimum requirement for achieving this.
GEN.OPS.	23	All firmware updates SHOULD be signed with a cryptographic "fingerprint" of at least 256 bits.
GEN.OPS.	24	In the event of a failure occurring during an update, the RG MUST be able to back off to the prior version of the firmware installed on the RG. That is, the prior version of the RG's firmware MUST continue to be useable in the event that a firmware update fails to complete. This is not a requirement for a dual image, although that is one manner in which this requirement might be satisfied.
NET		Networking Protocols
GEN.NET.	1	The RG MUST support Ethernet (IEEE 802.3).
GEN.NET.	2	The RG MUST support IP Version 4.
GEN.NET.	3	If the RG does not support IPV6, it SHOULD be software configurable or upgradeable to support IP Version 6 in the future. This means that the processing power, memory and networking components be designed appropriately and be sufficiently robust to provide this support.

Section	Item	Requirements
GEN.NET.	4	<p>The RG MUST support the TCP, IP, UDP, routing and associated protocols identified here:</p> <ul style="list-style-type: none"> - IETF RFC 768 User Datagram Protocol - IETF RFC 791 Internet Protocol - IETF RFC 792 Internet Control Message Protocol - IETF RFC 793 Transmission Control Protocol - IETF RFC 826 Ethernet Address Resolution Protocol (ARP) - IETF RFC 894 Standards for the Transmission of IP Datagrams over Ethernet Networks - IETF RFC 922 Broadcasting Internet Datagrams in the Presence of Subnets - IETF RFC 950 Internet Standard Subnetting Procedure - IETF RFC 1042 Standard for the Transmission of IP Datagrams over IEEE 802 Networks - IETF RFC 1112 Host Extensions for IP Multicasting - IETF RFC 1122 Requirements for Internet Hosts - Communication Layers - IETF RFC 1123 Requirements for Internet Hosts - Application and Support - IETF RFC 1256 ICMP Router Discovery Messages (Router Specification only) - IETF RFC 1812 Requirements for IP Version 4 Routers - IETF RFC 1918 Address Allocation for Private Internets - IETF RFC 4632 Classless Inter-domain Routing (CIDR): The Internet Address Assignment and Aggregation Plan - IANA Directory of General Assigned Numbers (http://www.iana.org/numbers.html)
GEN.NET.	5	The RG MUST support IP over Ethernet.
GEN.NET.	6	The RG MUST support, at a minimum, a 256 MAC address table for LAN devices.
NETv6		IPv6 Networking Protocols
GEN.NETv6.	1	The RG MUST support IP Version 6, which is defined in IETF RFC 2460.
GEN.NETv6.	2	The RG MUST support enabling and disabling of IPv6.
WAN		Wide Area Networking (WAN)
ATM		ATM

Section	Item	Requirements
WAN.ATM.	1	The RG MUST support standard ATM (AAL5) payload format. Note: this satisfies TR-101 R-371.
WAN.ATM.	2	The RG MUST perform AAL Segmentation and Reassembly (SAR), Convergence Sublayer (CS) functions and CRC check.
WAN.ATM.	3	The RG MUST support encapsulation of bridged Ethernet over AAL5 (without FCS) as described in IETF RFC 2684.
WAN.ATM.	4	The RG MUST be able to use both LLC-SNAP and VC-MUX (null) encapsulation over AAL5 with all supported protocols. The default MUST be LLC-SNAP.
WAN.ATM.	5	The RG MAY support encapsulation of IP over AAL5, per IETF RFC 2684.
WAN.ATM.	6	If the RG supports IP over AAL5, it MAY support classical IP according to IETF RFC 2225.
WAN.ATM.	7	The RG MUST support ATM CoS. UBR, CBR and VBR-rt MUST be supported, as defined in AF-TM-0121.000.
WAN.ATM.	8	VBR-nrt and UBR with per VC queuing SHOULD be supported.
WAN.ATM.	9	The default ATM CoS for the primary VC MUST be UBR.
WAN.ATM.	10	The RG SHOULD support auto configuration as defined in Broadband Forum TR-062 and ILMI 4.0 and its extensions.
WAN.ATM.	11	The RG MUST always respond to ATM testing, pings and loopbacks according to ITU-T I.610 (F4, F5).
WAN.ATM.	12	The RG SHOULD support initiating an ATM loopback and receiving the reply. This satisfies TR-101 R-370.
WAN.ATM.	13	The RG MUST provide a default CPID of all 1s (FFFF). This satisfies TR-101 R-372.
WAN.ATM.	14	The RG MUST support 0/35 as the default VPI/VCI for the first PVC or use an operator-specific configuration.
WAN.ATM.	15	The RG MUST be able to perform an auto search for the VPI/VCI settings for the first PVC based on a definable search list VPI/VCI sequence order. If the RG reaches a state of session establishment (e.g. IP when the RG is responsible for session termination) after performing the auto search, the default VPI/VCI settings MUST be set to the newly discovered values. The new default pair MUST be stored on the RG across power off situations. If an ATM connection cannot be established after power is restored, the search process starts over again.

Section	Item	Requirements
WAN.ATM.	16	The RG MUST support the following default VPI/VCI auto-search list programmed as a factory default setting in the following sequence, or use an operator-specific sequence configuration: 0/35, 0/38, 8/35, 0/43, 0/51, 0/59, 8/43, 8/51. This default list MUST be overwriteable via the methods discussed in WAN.ATM.18.
WAN.ATM.	17	The RG MUST be configurable so that the auto-search mechanism can be disabled.
WAN.ATM.	18	The RG MUST allow the auto-search list to be redefined using Broadband Forum TR-064 and TR-069.
WAN.ATM.	19	The default VPI/VCI values for all PVCs MUST be configurable. The default value MUST be utilized prior to performing an auto-search but should exclude the default value in the auto-search.
WAN.ATM.	20	The RG MUST support VPI values from 0 to 255
WAN.ATM.	21	The RG MUST support VCI values from 32 to 65535
ATM.MULTI		ATM Multi-PVC
WAN.ATM.MULTI.	1	The RG MUST support eight PVCs. This is in addition to support for any implemented ATM UNI control path PVCs (e.g. ILMI auto-configuration PVC, etc.).
WAN.ATM.MULTI.	2	The RG MUST allow the protocol stack (e.g. IP over Ethernet, PPPoE, PPPoA, etc.) for each provisioned PVC to be defined separately. If necessary, each PVC can use a different stack and set of protocols.
WAN.ATM.MULTI.	3	There is no default defined VPI/VCI for additional PVCs past the primary PVC defined in WAN.ATM above. The RG MUST support auto-search function (see WAN.ATM.16 through 19) on all PVCs and will use the same auto-search sequence identified (skipping over any already in use).
WAN.ATM.MULTI.	4	The RG MUST NOT require the same VPI value for all supported PVCs.
WAN.ATM.MULTI.	5	All supported PVCs MUST be able to be active and sending/receiving traffic simultaneously. See requirements LAN.FWD.9, 10, 11 and 15 for more details on interface selection for routing.
WAN.ATM.MULTI.	6	The RG MUST support the minimum ATM granularity applicable to the associated DSL protocol in use on a per VC and VP basis. For example, ATM granularity of 32 kbps MUST be supported for ADSL on a per VC and VP basis.

Section	Item	Requirements
WAN.ATM.MULTI.	7	The RG MUST use the same Ethernet MAC address for all interfaces over the same AAL5/ATM/DSL connection.
WAN.ATM.MULTI.	8	The RG MUST support multiple levels of CoS simultaneously across separate VCCs (e.g. UBR for PVC 0/35 and CBR for PVC 0/43 where both PVCs are active simultaneously).
CONNECT		Connection Establishment Note that this module applies to IPv6 connections as well as IPv4, but only if the RG has an IPv6 stack.
WAN.CONNECT.	1	The RG MUST support an "always on" mode for connections. In this mode the RG MUST NOT time out connection sessions (ATM, IP and PPP) and MUST automatically re-establish any sessions after disconnection, lease expiration or loss and restoration of power.
WAN.CONNECT.	2	<i>Moved to WAN.CONNECT.ON-DEMAND.1 and 4</i>
WAN.CONNECT.	3	The RG MUST support a "manual connect" option for connections. In this mode the connection to the broadband network is initiated manually through the GUI or via TR-064/TR-069 request and, by default, terminates only when done so explicitly by the user, due to a power loss or when the connection is lost.
WAN.CONNECT.	4	<i>Moved to WAN.CONNECT.ON-DEMAND.6</i>
WAN.CONNECT.	5	A manual way of disconnecting without waiting for a connection timeout MUST be provided.
WAN.CONNECT.	6	<i>Moved to WAN.CONNECT.ON-DEMAND.7</i>
WAN.CONNECT.	7	The RG MUST follow all standards required to perform an orderly tear down of the associated connections involved at the associated network levels (e.g. issue a DHCP Release message when using DHCPv4, issue LCP Terminate-Request/Terminate-Ack and PADT packet when using PPPoE, etc.) and then restart the connections.
WAN.CONNECT.	8	The RG MUST detect the loss of communications with a network identified DNS server as indicated by a failed query, and log the event.

Section	Item	Requirements
CONNECT.ON-DEMAND		On-Demand Connection Establishment
		The On-demand Connection function applies only to IPv4 connections. However, when IPv6 is present, its behavior must take the presence of IPv6 into consideration as described in this module.
WAN.CONNECT.ON-DEMAND.	1	The RG MUST support a "connect on demand" option for IPv4 connections that run over PPP. In this mode the connection to the broadband network is initiated when outbound traffic is encountered from the local LAN and terminated after a timeout period in which no traffic occurs.
WAN.CONNECT.ON-DEMAND.	2	If the PPP session only contains IPv4, then the RG MUST terminate the PPP session in accordance with WAN.CONNECT.ON-DEMAND.1, and any associated PPPoE session (if applicable).
WAN.CONNECT.ON-DEMAND.	3	If the PPP session contains IPv4 and IPv6, then the RG MUST terminate only the IPv4 session. This is done using IPCP commands.
WAN.CONNECT.ON-DEMAND.	4	The RG MUST support a "connect on demand" option for IPv4 connections that run over Ethernet.
WAN.CONNECT.ON-DEMAND.	5	To determine whether a connection has IPv4 activity during a timeout interval, the RG MUST consider only traffic with an IPv4 ethertype.
WAN.CONNECT.ON-DEMAND.	6	The interval after which a connection timeout occurs MUST be able to be configured.
WAN.CONNECT.ON-DEMAND.	7	A default timeout of 20 minutes SHOULD be used for connection timeouts or use an operator-specific configuration.
WAN.CONNECT.ON-DEMAND.	8	If the RG has an active IPv6 connection, and does not have addresses for DNS recursive name servers to be accessed over IPv6, then the "connect on demand" option MUST be disabled.
ETHOAM		Ethernet OAM
WAN.ETHOAM.	1	The RG MUST support a maintenance end point (MEP) at the customer and access link levels on a per VLAN basis. Note: The multi-PVC case is for further study. This satisfies TR-101 R-285, R-294.
WAN.ETHOAM.	2	The RG MUST support a default ME level value of 5 for the customer level. This satisfies TR-101 R-286.
WAN.ETHOAM.	3	The RG SHOULD support a loopback message (LBM) function at the customer level that can generate a multicast LBM toward its peer MEP(s). This satisfies TR-101 R-287.

Section	Item	Requirements
WAN.ETHOAM.	4	The RG MUST support a loopback reply (LBR) function at the customer level toward its peer MEP(s) in response to both unicast and multicast LBMs. This satisfies TR-101 R-288.
WAN.ETHOAM.	5	The RG MUST support a linktrace reply (LTR) function at the customer level toward its peer MEP(s). This satisfies TR-101 R-289.
WAN.ETHOAM.	6	For business customers and/or premium customers requiring proactive monitoring, the RG SHOULD support generating continuity check messages (CCMs) at the customer level. This satisfies TR-101 R-290.
WAN.ETHOAM.	7	The RG MUST support turning off sending of CCMs at the customer level, while keeping the associated MEP active. This satisfies TR-101 R-291.
WAN.ETHOAM.	8	The RG MUST support receiving AIS messages at the customer level. This satisfies TR-101 R-292.
WAN.ETHOAM.	9	The RG SHOULD trigger the appropriate alarms for loss of continuity at the customer level. This satisfies TR-101 R-293.
WAN.ETHOAM.	10	The RG MUST support a default ME level value of 1 for the access link level. This satisfies TR-101 R-295.
WAN.ETHOAM.	11	The RG SHOULD support a loopback message (LBM) function at the access link level that can generate a multicast LBM toward its peer MEP(s). This requirement allows the RG to dynamically learn the MAC address of the AN MEP, and test the connectivity to that MEP. This satisfies TR-101 R-296.
WAN.ETHOAM.	12	The RG MUST support a loopback reply (LBR) function at the access link level toward its peer MEP(s), in response to both unicast and multicast LBMs. This satisfies TR-101 R-297.
BRIDGE		Bridging Note that the IPv6 parts of this module apply only if the RG supports IPv6.
WAN.BRIDGE.	1	The RG MUST be able to bridge IPv4 over Ethernet.
WAN.BRIDGE.	2	The RG MUST be a learning bridge as defined in IEEE 802.1D for all logical and physical Ethernet interfaces, supporting a minimum of 272 MAC addresses.

Section	Item	Requirements
WAN.BRIDGE.	3	If bridge mode is enabled for IPv4 on the RG by default for LAN connected devices, the RG MUST be able to support additional connections for TR-069 remote management addressability (using direct DHCPv4 or static IPv4, PPP, etc.), and connections for any locally terminated service that require IP (v4 or v6) addressability (e.g. gateway integrated voice ATA ports, etc.). Note that this special bridge mode that includes a device remote management session connection requires an additional WAN connection from the network. This requirement is considered conditional as a result of the network side dependency, but the RG must support this type of configuration.
WAN.BRIDGE.	4	The RG MUST be able to bridge IPv6 over Ethernet (Ethertype 0x86DD). This includes bridging of multicast frames.
WAN.BRIDGE.	5	The RG MUST be able to configure IPv6 bridging for a WAN interface, separate from IPv4 treatment.
WAN.BRIDGE.	6	The RG MUST be able to configure IPv6 bridging separately for each WAN interface (if there are multiple WAN interfaces).
WAN.BRIDGE.	7	When IPv6 bridging is enabled on a WAN interface, the RG MUST be configurable to act as a host on that WAN interface (doing SLAAC, etc.). It will not request IA_PD, since that is not a host function.
DHCPC		DHCP Client (DHCPv4)
WAN.DHCPC.	1	The RG MUST be able to obtain IPv4 network information dynamically on its WAN interface. This information includes IPv4 address, primary and secondary DNS addresses and default gateway address. Dynamically obtaining IPv4 network information is accomplished using DHCP (v4) and / or IPCP (IPv4).
WAN.DHCPC.	2	If the RG is not configured to use a static IPv4 address and the RG fails to detect a PPPoE or DHCPv4 server, then the RG MUST set its WAN IPv4 address to an undefined value, in order to prevent it from retaining its prior IPv4 address.
WAN.DHCPC.	3	If a RG is functioning as a DHCPv4 client, it MUST identify itself in option 61 (client-identifier) in every DHCPv4 message in accordance with IETF RFC 4361.

Section	Item	Requirements
WAN.DHCPC.	4	<p>For the DUID portion of option 61 in DHCPv4 as described in IETF RFC 4361, the RG MUST follow the DUID-EN format specified in section 9.3 of RFC 3315. The RG MUST use Broadband Forum enterprise-number value 3561 in the DUID-EN enterprise-number field.</p> <p>For the identifier field of the DUID-EN, the RG MUST use an ASCII string containing the same content and formatted according to the same rules as defined for the HTTP username in section 3.4.4 of TR-069.</p>
WAN.DHCPC.	5	<p>The RG IAID value in DHCPv4 and DHCPv6 MUST be a 32 bit number encoded in network byte order. In cases where the RG is functioning with a single DHCP client identity, it MUST use value 1 for IAID for all DHCP interactions. IAID is defined in IETF RFC 3315.</p> <p>In cases where the RG is functioning with multiple DHCP client identities, the values of IAID have to start at 1 for the first identity and be incremented for each subsequent identity. The RG's mapping of IAID to its physical aspects or logical configuration SHOULD be as non-volatile as possible. For example, the RG MAY use IAID value 1 for the first physical interface and value 2 for the second. Alternatively, the RG MAY use IAID value 1 for the virtual circuit corresponding to the first connection object in the data model and value 2 for the second connection object in the data model.</p>
WAN.DHCPC.	6	<p>The DUID-EN field value MAY be printed on the RG label.</p>
WAN.DHCPC.	7	<p>A RG functioning as a DHCPv4 client MUST identify its manufacturer OUI, product class, model name and serial number using vendor-specific options as defined in IETF RFC 3925. Specifically, it MUST use option 125.</p> <p>Note that with exception of ModelName, the data contained in this option will be redundant with what is included in the Device ID in option 61. However, this is desirable because these two options serve different purposes.</p> <p>The data in option 125 allows the DHCPv4 server to be pre-configured with policy for handling classes of devices in a certain way without requiring the DHCPv4 server to be able to parse the unique format used in client-identifier option (which can also vary in TR-069 depending on presence of a ProductClass value). On the other hand, the client-identifier serves as an opaque but predictable identifier. It is predictable because it is the same identifier as used by the RG for interactions with other services. The same identifier is used for HTTP authentication and in SSL client certificates.</p>

Section	Item	Requirements															
		<p>Each sub-option value to be provided in option 125 MUST be treated as a string encoded into binary using UTF-8. The data MUST be encapsulated in option 125 under enterprise code 3561 decimal (0x0DE9), corresponding to the IANA “ADSL Forum” entry in the Private Enterprise Numbers registry. A specific sub-option is defined for each value. The value must match a corresponding TR-069 / TR-106 parameter as defined in the following table:</p> <table border="1"> <thead> <tr> <th>Sub-option</th> <th>Value Description</th> <th>Corresponding TR-069 / TR-106 parameter</th> </tr> </thead> <tbody> <tr> <td>1</td> <td>Manufacturer OUI</td> <td>.DeviceInfo.ManufacturerOUI</td> </tr> <tr> <td>2</td> <td>Product Class</td> <td>.DeviceInfo.ProductClass</td> </tr> <tr> <td>3</td> <td>Model Name</td> <td>.DeviceInfo.ModelName</td> </tr> <tr> <td>4</td> <td>Serial Number</td> <td>.DeviceInfo.SerialNumber</td> </tr> </tbody> </table> <p>If the value of a parameter is empty, the sub-option MUST be omitted.</p>	Sub-option	Value Description	Corresponding TR-069 / TR-106 parameter	1	Manufacturer OUI	.DeviceInfo.ManufacturerOUI	2	Product Class	.DeviceInfo.ProductClass	3	Model Name	.DeviceInfo.ModelName	4	Serial Number	.DeviceInfo.SerialNumber
Sub-option	Value Description	Corresponding TR-069 / TR-106 parameter															
1	Manufacturer OUI	.DeviceInfo.ManufacturerOUI															
2	Product Class	.DeviceInfo.ProductClass															
3	Model Name	.DeviceInfo.ModelName															
4	Serial Number	.DeviceInfo.SerialNumber															
Force		Force renew															
WAN.DHCPC.Force.	1	The RG MUST support the use of DHCP force renew (RFC 3203) for changing the configuration parameters or the IP address associated with an IP session.															
WAN.DHCPC.Force.	2	The RG MUST support sending the FORCERENEW_NONCE_CAPABLE option in the DHCP discover and in the DHCP request messages, as per RFC 6704 [141].															
WAN.DHCPC.Force.	3	The RG MUST support using the Forcerenew nonce for validating DHCP ForceRenew messages received from the DHCP server, as per RFC 6704 [141].															
BFDecho		BFD echo															
WAN.DHCPC.BFDec ho	1	The RG SHOULD support configuration of the BFD echo functionality, as per RFC 5881, for both IPv4 and IPv6.															
WAN.DHCPC.BFDec ho	2	The RG SHOULD support sending BFD echo packet(s) on its WAN interface at regular intervals using a recommended default of 30s. The destination IP address of such packets MUST be taken from the list of IP addresses assigned to or via the WAN interface, including the Subnet-Router address of an IPv6 DHCPv6 delegated prefix.															
WAN.DHCPC.BFDec ho	3	The RG SHOULD support receiving self-originated BFD echo packets addressed to its assigned address or the Subnet-Router IPv6 delegated prefix.															

Section	Item	Requirements
WAN.DHCP.BFDecho	4	Unless overridden by configuration, by default after a failure of 3 successive BFD echo intervals, the RG MUST issue a DHCP renew message following a random jitter interval between 1 and 30 seconds.
DHCPv4		DHCP Client (DHCPv4)
DHCPv4.ERP		EAP Re-authentication (ERP) for DHCPv4
WAN.DHCPv4.ERP	1	The RG MUST support the DHCP Relay Agent Information Option (RFC 3046 [83]).
WAN.DHCPv4.ERP	2	The RG MUST support receiving a DHCPv4 request message from a UE client, which includes a Parameter Request List Option requesting the DHCPv4 ERP Local Domain Name, i.e. the domain name of the ERP server of the local domain to which that client is attached. The DHCPv4 request message may be Discovery or Request.
WAN.DHCPv4.ERP	3	If the RG has the ERP Local Domain Name from authentication server for a client during a previous AAA exchange, it SHOULD include it in the DHCPv4 LDN sub-option in a Relay Agent Information Option (RFC 3046 [83]) and forward to the DHCPv4 server.
WAN.DHCPv4.ERP	4	The RG MUST support relaying a DHCPv4 Reply Message with the DHCPv4 ERP Local Domain Name option from the DHCPv4 server to the client.
WAN.DHCPv4.ERP	5	The RG MUST support configuration of the parameters for it to connect to the RADIUS or Diameter server via Web GUI or TR-069 extension.
DHCPv6		DHCP Client (DHCPv6)
DHCPv6.ERP		EAP Re-authentication (ERP) for DHCPv6
WAN.DHCPv6.ERP.	1	The RG MUST support the ERP Local Domain Name (LDN) DHCPv6 Option (RFC 6440 [139]).
WAN.DHCPv6.ERP.	2	The RG MUST support receiving a DHCPv6 request message from a UE client, which includes an Option Request option requesting the DHCPv6 ERP Local Domain Name option (RFC 6440 [139]). The DHCPv6 request message may be Solicit, Request, or Information Request.
WAN.DHCPv6.ERP.	3	If the RG has pre-existing knowledge of the ERP local domain name for a client (for example, from a previous AAA exchange), it SHOULD include it in an instance of the DHCPv6 ERP Local Domain Name option of the DHCPv6 message and forward it to the DHCPv6 server as a sub-option of the Relay-Supplied Options option (RFC 6422 [137]).

Section	Item	Requirements
WAN.DHCPv6.ERP.	4	The RG MUST support relaying a DHCPv6 Reply Message with the DHCPv6 ERP Local Domain Name option from the DHCPv6 server to the client.
WAN.DHCPv6.ERP.	5	The RG MUST support configuration of the parameters for it to connect to the RADIUS or Diameter server via Web GUI or TR-069 extension.
IPv6		IPv6 WAN Connection
WAN.IPv6.	1	The RG MUST support automated establishment of an IPv6 connection according to the flow in Annex A.2.
WAN.IPv6.	2	The RG MUST support a dual stack of IPv4 and IPv6 running simultaneously, as described in section 2 of RFC 4213.
WAN.IPv6.	3	The RG MUST allow the IPv6 stack to be enabled / disabled.
WAN.IPv6.	4	The RG MUST support DHCPv6 client messages and behavior per IETF RFC 3315. See WAN.DHCPC.5 for further specifics on IAID value.
WAN.IPv6.	5	The RG MUST support the role of the CPE requesting router in RFC 3633.
WAN.IPv6.	6	The RG MUST support specifying in its DHCPv6 prefix delegation request an indication of the length of prefix it requires. If the RG supports multiple LANs, or has PD requests from its LAN, it MUST indicate a preferred prefix length that would at least enable the RG to assign a /64 prefix to each LAN it supports. Note that the delegated prefix may vary from the requested length.
WAN.IPv6.	7	When sending DHCPv6 messages, the RG MUST identify itself in OPTION_CLIENTID (1) (client-identifier) using the same client identifier as for IPv4 (see WAN.DHCPC.3 and .4).
WAN.IPv6.	8	The RG MUST support IPv6 node requirements as a host node, per IETF RFC 6434 [138].
WAN.IPv6.	9	The RG MUST support stateless address auto-configuration (SLAAC) as a host, per IETF RFC 4862.
WAN.IPv6.	10	The RG MUST support receipt of route information per RFC 4191. If the RG only has one WAN connection, it does not need to place this information in its routing table, but it does need to save it (for possible forwarding on the LAN interface).
WAN.IPv6.	11	If route information is provided (RFC 4191) and the RG has multiple WAN connections, it MUST place the route information in its routing table.

Section	Item	Requirements
WAN.IPv6.	12	<p>If the RG does not have a globally-scoped address on its WAN interface after having been delegated a prefix, it MUST create addresses for itself from the delegated prefix. It MUST have at least one address and MAY have more.</p> <p>There is currently no algorithm defined for address creation. It should be assumed that different service providers will want different rules for how to create the address, how many addresses to create, and in the case of multiple addresses, how the different addresses are used.</p>
WAN.IPv6.	13	<i>Requirement deleted; redundant with WAN.IPv6.3</i>
WAN.IPv6.	14	The RG MUST be able to request the following DHCPv6 options: IA_NA (RFC 3315), reconfigure accept (RFC 3315), IA_PD (RFC 3633), and DNS_SERVERS (RFC 3646).
WAN.IPv6.	15	The RG SHOULD be able to request the following DHCPv6 options: SNTP_SERVERS (RFC 4075), domain search list (RFC 3646), and Client FQDN (RFC 4704).
WAN.IPv6.	16	The RG MUST be configurable as to which DHCPv6 options it requests via DHCPv6.
WAN.IPv6.	17	The connectivity parameters (obtained via RA and DHCPv6) MUST persist across loss of WAN connection (or lack of response from WAN connection).
WAN.IPv6.	18	The RG MUST continue to use the connectivity parameters (obtained via RA or DHCP) and consider them valid until either they expire or the RG is explicitly told to use different values.
WAN.IPv6.	19	The RG MUST NOT advertise any address prefixes on the WAN using the IPv6 neighbor discovery protocol, or advertise itself as a default router.
WAN.IPv6.	20	The RG MUST provide up to 4 instances of option-data within a single OPTION_VENDOR_OPTS (17) (RFC 3315) with IANA "ADSL Forum" Enterprise Number as the enterprise-number. Each instance will have one of the 4 sub-options from WAN.DHCPC.7 as the vendor-specific opt-code, with the corresponding value in the vendor-specific option-data. If the value of a parameter is empty for the RG, then the sub-option MUST be omitted. If there are no values to provide, the entire option MUST be omitted.
WAN.IPv6.	21	The RG SHOULD be able to request the following DHCPv6 options: address selection policy (RFC 7078 [145]), route information (draft-ietf-mif-dhcpv6-route-option [147]), and DNS selection policy (RFC 6731 [142]).

Section	Item	Requirements
WAN.IPv6.	22	If route information is provided (draft-ietf-mif-dhcpv6-route-option) and the RG has multiple WAN connections, it MUST place the route information in its routing table.
WAN.IPv6.	23	The RG SHOULD generate address selection policy based on policies obtained from each WAN link by DHCPv6 option (draft-ietf-6man-addr-select-opt) or manually configured policy.
TRANS		Transitional IPv6 WAN Connection
TRANS.6rd		6rd Transition Mechanism
WAN.TRANS.6rd.	1	The RG MUST support the 6rd transition mechanism as described in RFC 5969. This includes being able to configure the necessary parameters via TR-069 and DHCPv4, creation of the prefix, using the created prefix as a “delegated prefix” for purpose of including one of its /64s in RA messages, and modifying the IP header for traffic that goes between the WAN and LAN devices.
WAN.TRANS.6rd.	2	The RG MUST support enabling and disabling of the 6rd feature on the “default” routed IPv4 connection. 6rd is not applicable to bridged WAN interfaces.
WAN.TRANS.6rd.	3	If the RG supports configuration mechanisms other than the 6rd DHCPv4 option 212 (user-entered, TR-069, etc.), the RG MUST support 6rd in "hub and spoke" mode. 6rd in "hub and spoke" mode requires all IPv6 traffic to go to the 6rd border relay. In effect, this requirement removes the "direct connect to 6rd" route defined in section 7.1.1 of RFC 5969.
TRANS.DS-Lite		Dual Stack Lite Transition Mechanism
WAN.TRANS.DS-Lite.	1	The RG MUST support DS-Lite (RFC 6333) with IPv4 in IPv6 encapsulation (RFC 2473).
WAN.TRANS.DS-Lite.	2	<i>This requirement replaced by requirement WAN.TRANS.DS-Lite.6.</i>
WAN.TRANS.DS-Lite.	3	The RG MUST configure a static IPv4 default route toward the DS-Lite tunnel.
WAN.TRANS.DS-Lite.	4	The RG MUST deactivate the NAT function on the DS-Lite interface.
WAN.TRANS.DS-Lite.	5	The RG MUST support enabling and disabling of DS-Lite.
WAN.TRANS.DS-Lite.	6	The RG MUST be able to use the DHCPv6 option to retrieve the FQDN of the AFTR element, as defined in RFC 6334.
WAN.TRANS.DS-Lite.	7	Manual configuration on the RG of the FQDN or the IPv6 address of the AFTR element SHOULD be supported.
WAN.TRANS.DS-Lite.	8	Remote configuration via TR-069 of the FQDN or the IPv6 address of the AFTR element SHOULD be supported.

Section	Item	Requirements
WAN.TRANS.DS-Lite.	9	The RG MUST support configurable precedence between the FQDN and the IPv6 address.
WAN.TRANS.DS-Lite.	10	The RG MUST support configurable precedence between dynamic or static configuration of the IPv6 address of the AFTR element when both are available. The RG MUST use DHCPv6 by default or use an operator-specific configuration.
TRANS.v4-release-control		IPv6 connectivity with content-based IPv4 release control transition mechanism
WAN.TRANS.v4-release-control.	1	The RG MUST provide a mechanism that monitors IPv4 session/traffic.
WAN.TRANS.v4-release-control.	2	The RG MUST provide a timer-based trigger for releasing an IPv4 address.
WAN.TRANS.v4-release-control.	3	The RG MUST provide signaling to the BNG according to RFC 1332.
WAN.TRANS.v4-release-control.	4	The RG MUST provide the (re)assignment of an IPv4 address inside a PPP session according to RFC 1332, independent of the IPv6CP status according to section 2.1/RFC 4241.
WAN.TRANS.v4-release-control.	5	The timer that triggers the release of the IPv4 address MUST be configurable.
WAN.TRANS.v4-release-control.	6	The timer that triggers the release of the IPv4 address MUST be configurable via TR-069.
PPP		PPP Client
WAN.PPP.	1	The RG MUST support PPP and the associated protocols as defined in IETF RFCs 1332, 1334, 1661, 1877, 1994.
WAN.PPP.	2	Upon receipt of non-standard or unrecognized PPP extensions according to IETF RFCs 1570 and 2153 from the broadband network (e.g. vendor or proprietary), the RG MUST operate without fault.
WAN.PPP.	3	The RG MUST support PPPoE as defined in IETF RFC 2516.
WAN.PPP.	4	The RG MUST support IETF RFC 4638 in order to accommodate MTU/MRU values greater than 1492 bytes in PPPoE.
WAN.PPP.	5	If the RG supports ATM, the RG SHOULD support PPP over AAL5 (PPPoA) as defined in IETF RFC 2364.
WAN.PPP.	6	The RG MUST be able to save all logins and passwords for PPP sessions originated by the RG. Passwords MUST NOT be available outside the RG (that is, they cannot be queried or displayed).

Section	Item	Requirements
WAN.PPP.	7	The RG MUST NOT immediately terminate PPPoE sessions and upper layer protocol connections when the physical connection is lost. It should defer the teardown process for two minutes. If the physical connection is restored during that time, the RG MUST first attempt to use its previous PPPoE session settings. If these are rejected, then the original PPPoE session is to be terminated and a new PPPoE session attempted.
WAN.PPP.	8	The RG SHOULD incorporate a random timing delay prior to starting each IP (v4 or v6) and PPP session. This random timing delay helps to reduce connection failures when a group of users attempts to establish connections to a service provider at the same time (e.g. after power is restored to a neighborhood that had a blackout).
WAN.PPP.	9	If the RG receives an authentication failure when attempting an automated PPP connection attempt, it SHOULD re-try immediately to establish the connection. After three unsuccessful attempts, the RG SHOULD wait for five minutes, then repeat the connection attempt three times. If authentication still fails, the RG SHOULD back off to thirty minute intervals between groups of three attempts.
WAN.PPP.	10	If the RG is using the PPPoE client function actively, the RG MUST be able to forward PPPoE sessions initiated from LAN devices as additional PPPoE sessions to the WAN interface (this is sometimes known as PPPoE pass-through). Specifically, these LAN initiated PPPoE sessions MUST NOT be tunneled inside the RG's primary PPPoE client session.
WAN.PPP.	11	When fragmentation is required, the RG MUST fragment all PPP sessions that it originates on an access VC using MLPPP interleaving as defined in IETF RFC 1990.
WAN.PPP.	12	<p>If PPP is used, the RG MAY obtain an IPv4 subnet mask on its WAN interface using IPCP (IPv4) extensions. If this is done, the IPv4 subnet masks will be communicated with IPCP (IPv4) using the PPP IPCP (IPv4) option with option code 144, the length of the option being 6 and the mask being expressed as a 32-bit mask (e.g. 0xFFFFFFFF80), not as a number indicating the consecutive number of 1s in the mask (from 0 to 32).</p> <p>The learned network information MAY, but need not, be used to populate the LAN side embedded DHCP server for the RG.</p> <p>The learned network information is treated as a subnet and not as a collection of individual addresses. That is, the first and last addresses in the subnet should not be used.</p> <p>The IPv4 address negotiated SHOULD, but need not, be the one assigned to the RG.</p>

Section	Item	Requirements
WAN.PPP.	13	The RG MUST make the access concentrator name used with PPPoE connections available via the Web GUI, TR-064 or TR-069 for diagnostic purposes.
WAN.PPP.	14	The RG MUST support RFC 3544, " <i>IP Header Compression over PPP</i> ".
PPP.IPv6		PPP Client for establishment of IPv6 connection
WAN.PPP.IPv6.	1	The RG MUST support IPv6 over PPP per IETF RFC 5072 and RFC 5172.
WAN.PPP.IPv6.	2	The RG MUST support establishment of an IPv6 over PPPoE connection according to the flow in Annex A.1.
WAN.PPP.IPv6.	3	The RG MUST allow any particular PPP connection to be configurable for IPv4 only, IPv6 only, or both.
WAN.PPP.IPv6.	4	If the RG is configured for multiple PPPoE connections, it MUST be possible to configure it to use the same login and password for all, so that only the domain is unique per connection.
WAN.PPP.IPv6.	5	The RG MUST NOT tear down a shared (IPv4 and IPv6) PPP session if error conditions prevent only one IP stack (either IPv4 or IPv6) from working. The session MUST be torn down if error conditions apply to both stacks.
dot1x		802.1X Client
WAN.dot1x.	1	The RG MUST support IEEE 802.1X acting as a supplicant.
WAN.dot1x.	2	The RG MUST be able to respond to an appropriate IEEE 802.1X request and provide certificate information using Extensible Authentication Protocol-Transport Layer Security (EAP/TLS).
WAN.dot1x.	3	The RG SHOULD support EAP-MD5 username and password type authentication.
WAN.dot1x.	4	The RG MUST support receiving IEEE 802.1X EAPOL frames with an individual MAC address (i.e. unicast) as well as frames with a group MAC address (i.e. multicast).
WAN.dot1x.	5	The RG MUST perform mutual authentication by authenticating certificate information of the requesting authenticator.
WAN.dot1x.	6	The RG MUST be able to store certificate information used to authenticate the authenticator.
WAN.dot1x.	7	The RG MUST be able to update the information used to validate the authenticator by either a firmware upgrade or via updated certificates.
WAN.dot1x.	8	The RG SHOULD be able to update the information used to validate the authenticator by updated certificates without a firmware upgrade.

Section	Item	Requirements
WAN.dot1x.	9	The RG MUST be able to authenticate a minimum of eight authenticators.
WAN.dot1x.	10	When used with IPv4 over Ethernet and DHCPv4, if the RG already has a connection when receiving an IEEE 802.1X request, the RG SHOULD subsequently perform a DHCPv4 lease renewal upon successful 802.1X authentication.
WAN.dot1x.	11	Each RG MUST have a unique factory-installed private/public key pair and an embedded ITU-T X.509 version 3 / IETF RFC 5280 [128] certificate that has been signed by the RG vendor's certificate authority.
WAN.dot1x.	12	The RG certificate MUST have a validity period greater than the operational lifetime of the RG.
WAN.dot1x.	13	When used with IPv6 over Ethernet and DHCPv6, if the RG already has a connection when receiving an IEEE 802.1X request, the RG SHOULD subsequently perform a DHCPv6 CONFIRM upon successful 802.1X authentication.
DoS		Denial of Service Prevention The IPv6 parts of this module apply only if the RG has an IPv6 stack.
WAN.DoS.	1	The RG MUST provide denial of service (DOS) protection for itself and all LAN CPE including protection from ping of death, SYN flood, LAND and variant attacks. The extent of this protection will be limited when the RG is configured as a bridge in which only PPPoE traffic is bridged. This protection MUST be available when the RG terminates IP (v4 or v6) or bridges IPv4.
WAN.DoS.	2	The RG MUST reject packets from the WAN with source MAC addresses of devices on the local LAN or invalid IP (v4 or v6) addresses (e.g. broadcast addresses or IP (v4 or v6) addresses matching those assigned to the LAN segment).
WAN.DoS.	3	The RG MUST reject any unidentified Ethernet packets (i.e. any packet that is not associated with IP (v4 or v6) or PPPoE protocols).
WAN.DoS.	4	The RG MUST perform anti-spoofing filtering for IPv6. All IPv6 traffic sent to the WAN from the LAN MUST have an IPv6 source address with a prefix assigned to the LAN by the RG, that was delegated from the WAN (through DHCPv6 or configuration).
WAN.DoS.	5	Because the RG must perform anti-spoofing filtering for IPv6, until it has an IPv6 LAN prefix delegation it MUST filter all upstream IPv6 traffic from the home.

Section	Item	Requirements
QoS		Quality of Service The IPv6 parts of this module apply only if the RG has an IPv6 stack.
WAN.QoS.	1	The RG MUST support classification of WAN directed LAN traffic and placement into appropriate queues (or discard) based on any one or more of the following pieces of information: <ul style="list-style-type: none"> (1) destination IP (v4 or v6) address(es) with subnet mask, (2) originating IP (v4 or v6) address(es) with subnet mask, (3) source MAC address, (4) destination MAC address, (5) protocol (TCP, UDP, ICMP, IGMP, ...) (6) source TCP/UDP port and port range, (7) destination TCP/UDP port and port range, (8) IEEE 802.1Q Ethernet priority, (9) FQDN (fully qualified domain name) of WAN session, (10) Diffserv codepoint (IETF RFC 3260), (11) Ethertype (IEEE 802.3) length/type field), (12) traffic handled by an ALG, (13) IEEE 802.1Q VLAN identification. (14) Wi-Fi SSID and, (15) LAN type (Ethernet, WiFi, etc.).
WAN.QoS.	2	The RG SHOULD support classification of WAN directed LAN traffic and placement into appropriate queues (or discard) based on any one or more of the following pieces of information: <ul style="list-style-type: none"> (1) packet length (note: to be used with caution to avoid re-ordering packets), and (2) LAN-side physical port.
WAN.QoS.	3	The RG MUST support the differentiated services field (DS field) in IP (v4 or v6) headers as defined in IETF RFC 2474.

Section	Item	Requirements																																																																												
WAN.QoS.	4	The RG MUST by default recognize and provide appropriate treatment to packets marked with recommended Diffserv codepoints, whose values and behavior are defined in IETF RFCs 2474, 2475, 2597, 3246, and 3260. Specifically, the values shown in the DSCP column of the table below MUST be supported, except Cs0-7, which are optional.																																																																												
		<table border="1"> <thead> <tr> <th>Class</th> <th>Description</th> <th>DSCP marking (name)</th> <th>DSCP marking (decimal value)</th> </tr> </thead> <tbody> <tr> <td>EF</td> <td>Realtime</td> <td>ef</td> <td>46</td> </tr> <tr> <td>AF4 – in-contract</td> <td>Premium class4 (in)</td> <td>af41</td> <td>34</td> </tr> <tr> <td>AF4 – out-of-contract</td> <td>Premium class4 (out)</td> <td>af42, af43</td> <td>36, 38</td> </tr> <tr> <td>AF3 – in-contract</td> <td>Premium class3 (in)</td> <td>af31</td> <td>26</td> </tr> <tr> <td>AF3 – out-of-contract</td> <td>Premium class3 (out)</td> <td>af32, af33</td> <td>28, 30</td> </tr> <tr> <td>AF2 – in-contract</td> <td>Premium class2 (in)</td> <td>af21</td> <td>18</td> </tr> <tr> <td>AF2 – out-of-contract</td> <td>Premium class2 (out)</td> <td>af22, af23</td> <td>20, 22</td> </tr> <tr> <td>AF1 – in-contract</td> <td>Premium class1 (in)</td> <td>af11</td> <td>10</td> </tr> <tr> <td>AF1 – out-of-contract</td> <td>Premium class1 (out)</td> <td>af12, af13</td> <td>12, 14</td> </tr> <tr> <td>DE/BE</td> <td>Default / Best Effort</td> <td>be</td> <td>0</td> </tr> <tr> <td>Cs0 (optional)</td> <td>Class Selector 0</td> <td>cs0</td> <td>0</td> </tr> <tr> <td>Cs1 (optional)</td> <td>Class Selector 1</td> <td>cs1</td> <td>8</td> </tr> <tr> <td>Cs2 (optional)</td> <td>Class Selector 2</td> <td>cs2</td> <td>16</td> </tr> <tr> <td>Cs3 (optional)</td> <td>Class Selector 3</td> <td>cs3</td> <td>24</td> </tr> <tr> <td>Cs4 (optional)</td> <td>Class Selector 4</td> <td>cs4</td> <td>32</td> </tr> <tr> <td>Cs5 (optional)</td> <td>Class Selector 5</td> <td>cs5</td> <td>40</td> </tr> <tr> <td>Cs6 (optional)</td> <td>Class Selector 6</td> <td>cs6</td> <td>48</td> </tr> <tr> <td>Cs7 (optional)</td> <td>Class Selector 7</td> <td>cs7</td> <td>56</td> </tr> </tbody> </table>	Class	Description	DSCP marking (name)	DSCP marking (decimal value)	EF	Realtime	ef	46	AF4 – in-contract	Premium class4 (in)	af41	34	AF4 – out-of-contract	Premium class4 (out)	af42, af43	36, 38	AF3 – in-contract	Premium class3 (in)	af31	26	AF3 – out-of-contract	Premium class3 (out)	af32, af33	28, 30	AF2 – in-contract	Premium class2 (in)	af21	18	AF2 – out-of-contract	Premium class2 (out)	af22, af23	20, 22	AF1 – in-contract	Premium class1 (in)	af11	10	AF1 – out-of-contract	Premium class1 (out)	af12, af13	12, 14	DE/BE	Default / Best Effort	be	0	Cs0 (optional)	Class Selector 0	cs0	0	Cs1 (optional)	Class Selector 1	cs1	8	Cs2 (optional)	Class Selector 2	cs2	16	Cs3 (optional)	Class Selector 3	cs3	24	Cs4 (optional)	Class Selector 4	cs4	32	Cs5 (optional)	Class Selector 5	cs5	40	Cs6 (optional)	Class Selector 6	cs6	48	Cs7 (optional)	Class Selector 7	cs7	56
Class	Description	DSCP marking (name)	DSCP marking (decimal value)																																																																											
EF	Realtime	ef	46																																																																											
AF4 – in-contract	Premium class4 (in)	af41	34																																																																											
AF4 – out-of-contract	Premium class4 (out)	af42, af43	36, 38																																																																											
AF3 – in-contract	Premium class3 (in)	af31	26																																																																											
AF3 – out-of-contract	Premium class3 (out)	af32, af33	28, 30																																																																											
AF2 – in-contract	Premium class2 (in)	af21	18																																																																											
AF2 – out-of-contract	Premium class2 (out)	af22, af23	20, 22																																																																											
AF1 – in-contract	Premium class1 (in)	af11	10																																																																											
AF1 – out-of-contract	Premium class1 (out)	af12, af13	12, 14																																																																											
DE/BE	Default / Best Effort	be	0																																																																											
Cs0 (optional)	Class Selector 0	cs0	0																																																																											
Cs1 (optional)	Class Selector 1	cs1	8																																																																											
Cs2 (optional)	Class Selector 2	cs2	16																																																																											
Cs3 (optional)	Class Selector 3	cs3	24																																																																											
Cs4 (optional)	Class Selector 4	cs4	32																																																																											
Cs5 (optional)	Class Selector 5	cs5	40																																																																											
Cs6 (optional)	Class Selector 6	cs6	48																																																																											
Cs7 (optional)	Class Selector 7	cs7	56																																																																											
WAN.QoS.	5	The RG MUST be able to mark or remark the Diffserv codepoint or IEEE 802.1Q Ethernet priority of traffic identified based on any of the classifiers supported by the RG.																																																																												
WAN.QoS.	6	<i>Requirement relocated to WAN.QoS.VLAN.1</i>																																																																												
WAN.QoS.	7	<i>Requirement relocated to WAN.QoS.VLAN.2</i>																																																																												
WAN.QoS.	8	<i>Requirement relocated to WAN.QoS.VLAN.3</i>																																																																												
WAN.QoS.	9	The RG MUST support one best effort (BE) queue, one expedited forwarding (EF) queue and a minimum of four assured forwarding (AF) queues.																																																																												
WAN.QoS.	10	The RG MUST duplicate the set of queues for each access session (e.g. L2 PVC, VLAN). This can be done logically or physically.																																																																												

Section	Item	Requirements
WAN.QoS.	11	<p>The RG SHOULD support the appropriate mechanism to effectively implement Diffserv per-hop scheduling behaviors. The RG SHOULD be able to configure each queue defined in WAN.QoS.9 for strict priority or weighted round robin scheduling.</p> <p>SP queues are served with priority over all other queues. A strict priority scheduler is preferred for EF.</p> <p>WRR queues are served on the basis of configurable weights, provided with a mechanism to prevent starvation (WRR queue minimum bandwidth)</p>
WAN.QoS.	12	The RG MUST support aggregate shaping of upstream traffic across all access sessions (e.g. L2 PVC, VLAN).
WAN.QoS.	13	The RG MUST support per-class shaping of upstream traffic. Classes are defined in WAN.QoS.4.
WAN.QoS.	14	The RG MUST support the capability to fragment IP traffic on sessions that it originates, in order to limit the effect of large packets on traffic delay.
WAN.QoS.	15	The packet size threshold before fragmenting AF and BE packets MUST be configurable.
WAN.QoS.	16	The RG MUST handle all telephone service-related network traffic by a high priority queue to avoid congestion, delay, jitter, or packet loss.
WAN.QoS.	17	The RG MAY handle all telephone service-related network traffic by a dedicated WAN interface to avoid congestion, delay, jitter, or packet loss.
WAN.QoS.	18	The RG MUST provide counters in terms of dropped and emitted packets/bytes for each queue. Statistics SHOULD be collected from the time of last counter reset or on a configurable sample interval.
WAN.QoS.	19	The RG MUST provide information about queue occupancy in terms of packets and peak percentage. Statistics SHOULD be collected from the time of last counter reset or on a configurable sample interval.

Section	Item	Requirements
WAN.QoS.	20	<p>The RG MUST support classification of WAN-directed internally-generated traffic and placement into appropriate queues based on any one or more of the following pieces of information:</p> <ol style="list-style-type: none"> (1) destination IP address(es) with subnet mask, (2) originating IP address(es) with subnet mask, (3) protocol (TCP, UDP, ICMP, ...), (4) source TCP/UDP port and port range, (5) destination TCP/UDP port and port range, (6) Diffserv codepoint (IETF RFC 3260), (7) physical port, in case of voice packets.
WAN.QoS.	21	<p>The RG SHOULD support classification of WAN directed internally generated traffic and placement into appropriate queues based on any one or more of the following pieces of information:</p> <ol style="list-style-type: none"> (1) packet length.
WAN.QoS.	22	<p>The RG MUST be able to learn classification keys (MAC address and IP address) through the following option of the DHCP client requests on the LAN that it serves:</p> <ol style="list-style-type: none"> (1) DHCP Option 60 (Vendor Class ID), (2) DHCP Option 61 (Client Identifier), (3) DHCP Option 77 (User Class ID), and (4) DHCP Option 125 (Vendor Specific Information).
WAN.QoS.	23	<p>The RG SHOULD be able to learn classification keys (MAC address and IP address) for trusted DLNA devices as they are recognized on the LAN.</p>
QoS.VLAN		VLAN based QoS
WAN.QoS.VLAN.	1	<p>The RG MUST support sending the following frame types: untagged frames, priority-tagged frames, and VLAN-tagged frames in the upstream direction. This satisfies TR-101 R-01.</p>
WAN.QoS.VLAN	2	<p>The RG MUST support setting the priority tag and VLAN ID values. This satisfies TR-101 R-03.</p>
WAN.QoS.VLAN	3	<p>The RG MUST support receiving untagged and VLAN-tagged Ethernet frames in the downstream direction, and MUST be able to strip the VLAN tagging from the ones received tagged. This satisfies TR-101 R-04.</p>

Section	Item	Requirements
QoS.TUNNEL		Quality of Service for Tunneled Traffic This module only applies when the RG is an endpoint for a tunnel to the WAN. This module applies to IPv6 if it is used as either the tunneled or the tunneling protocol.
WAN.QoS.TUNNEL.	1	The RG MUST be able to mark or remark the Diffserv codepoint of traffic that will be placed over a tunnel, based on classification of that traffic (prior to placing it on the tunnel) using any of the classifiers supported by the RG. This only applies when the traffic is going from LAN to WAN.
WAN.QoS.TUNNEL.	2	The RG MUST be able to mark the Diffserv codepoint of the underlying tunnel or the IEEE 802.1Q Ethernet priority of Ethernet that is transporting the tunnel, based on classification of the tunneled traffic using any of the classifiers supported by the RG. This only applies when the traffic is going from LAN to WAN.
WAN.QoS.TUNNEL.	3	When the RG receives tunneled traffic from the WAN, it MUST be able to mark or remark the Diffserv codepoint of that traffic, based on classification of the tunneled traffic using any of the IP-layer or higher layer classifiers supported by the RG.
WAN.QoS.TUNNEL.	4	When the RG receives tunneled traffic from the WAN, it MUST be able to mark the IEEE 802.1Q Ethernet priority of the LAN Ethernet frame, based on classification of the tunneled traffic using any of the IP-layer or higher layer classifiers supported by the RG.
WAN.QoS.TUNNEL.	5	When the RG receives tunneled traffic from the WAN, it MUST be able to mark or remark the Diffserv codepoint or mark the IEEE 802.1Q Ethernet priority of the LAN Ethernet frame, based on classification of the WAN Ethernet, using any of the Ethernet-layer classifiers supported by the RG.
WAN.QoS.TUNNEL.	6	When the RG receives tunneled traffic from the WAN, it SHOULD be able to mark or remark the Diffserv codepoint or mark the IEEE 802.1Q Ethernet priority of the LAN Ethernet frame, based on classification of the underlying tunnel, using any of the IP-layer classifiers supported by the RG.
IPsecClient		IPsec VPN peer to peer
WAN.IPsecClient.	1	The RG MAY support peer to peer IPsec VPN, as defined in IETF RFCs 4301, 4303, 5996.
WAN.IPsecClient.	2	If the RG supports IPsec VPN, it MUST support encapsulating security payload (ESP), as defined in IETF RFC 4303.
WAN.IPsecClient.	3	If the RG supports IPsec VPN, it MUST support the IKEv2 key exchange protocol as defined in RFC 5996.

Section	Item	Requirements
WAN.IPsecClient.	4	If the RG supports IPsec VPN, it MUST support IPsec VPN in tunnel mode, which is defined in section 3.2 of RFC 4301.
WAN.IPsecClient.	5	If the RG supports IPsec VPN, it MUST support dead peer detection (DPD), which is defined in RFC 5996.
WAN.IPsecClient.	6	If the RG supports IPsec VPN, it must support configuring the IPsec VPN via web GUI or TR-069 extension.
WAN.IPsecClient.	7	If the RG supports IPsec VPN, it MUST support that the source address in the IPsec is configured to be either an IP address or a TR-069 instance of WAN interface.
WAN.IPsecClient.	8	If the RG supports IPsec VPN, it MUST support that the destination address in the IPsec is configured to be either an IP address or a dynamic domain name.
WAN.IPsecClient.	9	If the RG supports IPsec VPN, it MUST support querying the status of child security associations (SA) via TR-069 extension.
L2tpClient		L2tp VPN Remote Access
WAN.L2tpClient.	1	The device MAY support L2TPv2 VPN, as defined in IETF RFC 2661 [76].
WAN.L2tpClient.	2	The device SHOULD support L2TPv3 VPN, as defined in IETF RFC 3931 [100].
WAN.L2tpClient.	3	If the device supports L2TP VPN, it SHOULD support L2TP Disconnect Cause Information, as defined in RFC 3145 [84].
WAN.L2tpClient.	4	If the device supports L2TP VPN, it MUST support L2TP/IPsec VPN connection.
WAN.L2tpClient.	5	If the device supports L2TP VPN, it MUST support LNS functions, as defined in IETF RFC 2661 [76] or IETF RFC 3931 [100].
WAN.L2tpClient.	6	If the device supports L2TP VPN, it MUST support configuring the L2TP VPN via Web GUI or TR-069 extension.
PCP		Port Control Protocol
WAN.PCP.	1	The RG MUST support Port Control Protocol (PCP) Client as specified in RFC 6887 [143].
WAN.PCP.	2	The RG MUST support Port Control Protocol (PCP) Extension for Port Set Allocation as specified in [149].
WAN.PCP.	3	The RG MUST support configuring the PCP Client via web GUI or TR-069 extension.
WAN.PCP.	4	The RG MUST be able to use the DHCP option to retrieve Server name(s) as defined in RFC 7291 [146].
WAN.PCP.	5	For the DS-Lite case, if PCP is enabled and no PCP server is configured, the RG MUST consider that the AFTR is the PCP server.

Section	Item	Requirements
WAN.PCP.	6	The PCP client of the RG MUST support invocations from applications on the RG, from the Web GUI or from TR-069 extensions.
WAN.PCP.	7	The RG MUST embed an interworking function to ensure interworking between the UPnP IGD (Internet Gateway Device) used by CPE LAN devices in the LAN and PCP as defined in RFC 6970 [144].
WAN.PCP.	8	The RG MUST embed a PCP proxy function as defined in the IETF document “Port Control Protocol (PCP) Proxy Function” [148].
WAN.PCP.	9	Static (i.e. configured) PCP mappings MUST be stored on the RG across reboot or power off situations.
LAN	Local Area Networking (LAN)	
GEN	General LAN Protocols	
LAN.GEN.	1	The RG MAY support SOCKS as defined in IETF RFC 1928 for non-ALG access to the public address.
LAN.GEN.	2	Both NetBios and zero config naming mechanisms MAY be used to populate the DNS tables.
LAN.GEN.	3	The RG MAY act as a NETBIOS master browser for that name service.
LAN.GEN.	4	The RG MUST support multiple subnets being used on the local LAN.
ADDRESS	Private IPv4 Addressing	
LAN.ADDRESS.	1	The RG MUST be able to be configured to specify alternate public and private subnets (without restriction) for local device addressing.
LAN.ADDRESS.	2	The RG MUST be able to be configured to specify the start and stop addresses within a subnet used for local addressing.
LAN.ADDRESS.	3	The RG MUST NOT use auto IP for address assignment of its LAN-side IPv4 address.
LAN.ADDRESS.	4	The RG MUST allow its assigned address and netmask to be specified through the web GUI and via TR-064/TR-069 interfaces.
LAN.ADDRESS.	5	If the RG is in bridged configuration and LAN-side configuration is enabled, the RG MUST ARP on the LAN side for the following addresses, in order, and assign itself the first one that is not taken: 192.168.1.254, 192.168.1.63, and then starting from 192.168.1.253 and descending.

Section	Item	Requirements
LAN.ADDRESS.	6	<p>The RG MUST be able to assign its own WAN IPv4 address (i.e. its public address) to a particular LAN device, concurrent with private IPv4 addressing being used for other LAN CPE.</p> <p>In this situation, one device on the LAN is given the same public IPv4 address (through DHCP or manual configuration of the LAN CPE IPv4 stack). Other LAN devices utilize private IPv4 addresses. The RG can then be configured as identified in LAN.PFWD.2 so that the LAN device sharing the WAN IPv4 address receives all unidentified or unsolicited port traffic to any specific LAN device. If the RG is not configured in this manner, then only inbound traffic resulting from outbound traffic from the LAN CPE would be directed to that LAN CPE.</p> <p>The gateway identified to the LAN device must be on the same subnet as that associated with the WAN IPv4 address. Note that the use of the WAN gateway address does not guarantee this since it need not meet this requirement.</p>
LAN.ADDRESS.	7	<p>When operating in multiple WAN public IPv4 address mode, the RG MUST support up to 16 public IPv4 addresses being used by LAN devices (statically or dynamically issued) and whose traffic must be routed to and from the public IPv4 address associated with the LAN device. Additionally, a transparent basic NAT mapping feature MAY be supported, allowing the 16 public addresses to be mapped to a device's private address. A user configurable option in the Web GUI MUST be provided to enable or disable the firewall on a per public IPv4 address basis. This feature must operate concurrently with other LAN usage (e.g. NAPT on the gateway's primary IPv4 address).</p>
LAN.ADDRESS.	8	<p>When using a WAN IPv4 address assigned to a LAN device, the RG MUST be able to be configured by the user whether this LAN device can directly communicate with other devices on the local LAN without the need to traverse the broadband connection.</p> <p>This will only be done to the extent to which the RG can control isolation (e.g. routing and internal switch fabric). It does not extend to isolation external to the RG (e.g. external switch or router), which are beyond the control of the RG.</p>
ADDRESSv6		LAN IPv6 Addressing
LAN.ADDRESSv6.	1	<p>The RG MUST create a Link Local (LL) address for its LAN interface, and perform Duplicate Address Discovery (DAD), per RFC 4862. It MUST always use the same LL address, even after reboot or power failure.</p>
LAN.ADDRESSv6.	2	<p>The RG SHOULD try alternate LL addresses, if DAD fails. The RG vendor can define the algorithm to be used in this case.</p>

Section	Item	Requirements
LAN.ADDRESSv6.	3	The RG MUST have a ULA prefix (RFC 4193). It MUST always maintain the same prefix, even after reboot or power failure, unless this prefix is changed through configuration, in which case it MUST maintain the changed value.
LAN.ADDRESSv6.	4	The RG MAY allow its ULA prefix to be changed through configuration.
LAN.ADDRESSv6.	5	The RG MUST support the ability to enable or disable advertising a /64 from its ULA prefix through Router Advertisement. When enabled, this /64 will be included in RA messages, with L=1, A=1, and reasonable timer values.
LAN.ADDRESSv6.	6	The RG MUST support RFC 4861 section 6.2, Router specification requirements.
LAN.ADDRESSv6.	7	The RG MUST support configuration of the following elements of a Router Advertisement: M and O flags (RFC 4861), route information (RFC 4191), and default router preference (Prf) (RFC 4191).
LAN.ADDRESSv6.	8	The RG SHOULD support configuration of the following elements of a router advertisement: MTU (RFC 4861).
LAN.ADDRESSv6.	9	The RG MUST advertise (in RA) a /64 prefix from all prefixes delegated via the WAN interface. This will have L=1, A=1, and lifetimes per the received (from the WAN) delegation.
LAN.ADDRESSv6.	10	The RG SHOULD advertise DNS server using the RDNSS option in Router Advertisements (RFC 6106).
DHCPS		DHCPv4 Server
LAN.DHCPS.	1	The RG MUST provide application layer support for host name mapping, booting, and management including DHCPv4 and the Domain Name System (DNS) protocol. This includes support for the standards below: <ul style="list-style-type: none"> - IETF RFC 1034 Domain Names – Concepts and Facilities - IETF RFC 1035 Domain Names – Implementation and Specification - IETF RFC 2131 Dynamic Host Configuration Protocol - IETF RFC 2132 DHCP Options and BOOTP Vendor Extensions - IETF RFC 2181 Clarifications to the DNS Specification - IETF RFC 2939 Procedures and IANA Guidelines for Definition of New DHCP Options and Message Types
LAN.DHCPS.	2	The RG MUST be a DHCPv4 server to local LAN devices, supporting all LAN devices.

Section	Item	Requirements
LAN.DHCPS.	3	The embedded DHCPv4 server function of the RG MUST be able to operate while in bridged mode. The default state should be on in bridged and routed mode.
LAN.DHCPS.	4	The RG MUST support a minimum of 253 LAN devices.
LAN.DHCPS.	5	The RG MUST support turning off the embedded DHCPv4 server via a configuration change locally via the Web GUI and remotely via TR-064/TR-069 interfaces.
LAN.DHCPS.	6	The RG MAY incorporate auto-detection of other DHCPv4 servers on the local LAN and, if configured to do so, disable the internal DHCPv4 server functionality of the RG in this situation. In this situation, the RG would try to obtain a configuration for its LAN port through DHCPv4. If a DHCPv4 response was received, the RG would then use the information in the DHCPv4 response (e.g. IPv4 address, subnet and DNS information) and disable its internal DHCPv4 server. If implemented and a DHCPv4 response is received, this requirement takes precedence over requirement LAN.DHCPS.15.
LAN.DHCPS.	7	The embedded DHCPv4 server functionality of the RG MUST verify that an address is not in use prior to making it available in a lease (e.g. via ping or ARP table validation) even when lease information shows that it is not in use.
LAN.DHCPS.	8	If the RG is in a routed configuration (i.e. full NAT router), the RG MUST use the default start address 192.168.1.64 and the default stop address 192.168.1.253 for assignment to DHCPv4 leases for local device addressing, or use an operator-specific configuration.
LAN.DHCPS.	9	If the RG is in a routed configuration (i.e. full NAT router), the RG MUST use a default netmask of 255.255.255.0 for assignment to DHCPv4 leases for local device addressing, or use an operator-specific configuration.
LAN.DHCPS.	10	If the RG is in a bridged configuration for LAN device traffic (i.e. NAT/NAPT is not enabled), the RG MUST support the enabling and configuration of the local RG DHCPv4 server (address range and subnet mask) remotely via TR-069 interface. This address range may be either public or private addresses (assuming that the service provider is providing the NAT/NAPT function in the network). Note that this assumes that a separate management IP (v4 or v6) interface has been established to the RG expressly for the purpose of TR-069 remote management.

Section	Item	Requirements
LAN.DHCPS.	11	The default lease time for DHCPv4 information provided to LAN CPE that do not share the WAN side IPv4 address MUST be configurable. The default value MUST be 24 hours, or use an operator-specific configuration.
LAN.DHCPS.	12	The default lease time for DHCPv4 information provided to LAN CPE that share the WAN side IPv4 address MUST be configurable. The default value MUST be 10 minutes, or use an operator-specific configuration.
LAN.DHCPS.	13	When the domain name that the embedded DHCPv4 server passes to LAN CPE has not been set, the value "domain_not_set.invalid" SHOULD be used.
LAN.DHCPS.	14	If the RG is in a routed configuration (i.e. full NAT router) and the RG's embedded DHCPv4 server is enabled, the RG itself MUST default to the address 192.168.1.254 (with a netmask of 255.255.255.0), or use an operator-specific configuration.
LAN.DHCPS.	15	When the RG's embedded DHCPv4 server is disabled, the RG MUST ARP for the following addresses, in order, and assign itself the first one that is not taken: 192.168.1.254, 192.168.1.63, and then starting from 192.168.1.253 and descending.
LAN.DHCPS.	16	The RG MAY allow the embedded DHCPv4 server to be configured so that specific MAC addresses can be identified as being served or not served.
LAN.DHCPS.	17	The RG MAY allow the embedded DHCPv4 server to be configured with a default setting (provide IPv4 addresses or not provide IPv4 addresses) for devices whose MAC addresses have not been specified in accordance with LAN.DHCPS.16.
LAN.DHCPS.	18	The embedded DHCPv4 server functionality of the RG SHOULD provide a mechanism by which an IPv4 address can be assigned to a particular LAN device by MAC address. The user interface to establish this association may use an alternate mechanism to identify this assignment (e.g. by selecting the device using its current IPv4 address or device name) and the MAC address may be transparent to the user. These addresses may include addresses within the default subnet or addresses from additional public/private subnets that may be provisioned. For example, the RG might have a default WAN side IPv4 address that is used for NAT to a subset of devices and an additional set of WAN side IPv4 addresses that are bridged. The embedded DHCPv4 server might be used to assign this second set of IPv4 addresses to specific LAN CPE.
LAN.DHCPS.	19	The RG MUST support a single PC mode of operation. In this mode of operation only a single LAN device is supported. Note that this is not the default mode of operation.

Section	Item	Requirements
		<p>In this configured mode, all network traffic, except for configured management traffic destined for the RG itself (e.g. temporary remote access to the Web GUI) MUST be passed between the access network and the designated LAN device as if the RG was not present.</p> <p>One possible implementation is for the embedded DHCPv4 server to issue one and only one private address in this situation, with the start and stop addresses for the embedded DHCPv4 server being the same.</p> <p>The LAN devices can be assigned either a private IPv4 address (i.e. using 1:1 NAT) or the public IPv4 address of the RG (i.e. using IP pass-through as identified in requirement LAN.ADDRESS.6). The type of IPv4 address to be used (private or public) is configured through the Web GUI and TR-064/TR-069 interfaces. The default is a public IPv4 address.</p> <p>If a WAN connection is not available when the RG is configured to use a public IPv4 address, the RG provides a private IPv4 address to the LAN device via DHCPv4. Once a WAN connection is established, the public IPv4 address provided by the broadband network is passed to the LAN device during the next DHCPv4 lease renewal.</p> <p>The RG acts as the default gateway to the LAN devices when private IPv4 addressing is in use. When public IPv4 addressing is in use, the gateway identified to the LAN device should be that identified in requirement LAN.ADDRESS.6 above.</p> <p>No other restrictions (e.g. restricted routing for other devices) need to be implemented to meet this requirement (e.g. no routing restrictions on traffic from secondary devices on the LAN).</p>
LAN.DHCPS.	20	If the RG is configured in a routed configuration (i.e. full NAT router), the RG MUST operate by default in the multiple PC mode of operation, or use an operator-specific configuration.
DHCPv6S		DHCPv6 Server
LAN.DHCPv6S.	1	The RG MUST support DHCPv6 server messages and behavior per RFC 3315.
LAN.DHCPv6S.	2	The RG MUST support and be configurable to enable/disable address assignment using DHCPv6.
LAN.DHCPv6S.	3	The RG MUST either have an algorithm or allow configuration (or both) as to which /64 prefix to use, from any received WAN prefixes or its own ULA prefix.

Section	Item	Requirements
LAN.DHCPv6S.	4	The RG SHOULD be configurable to support rules as to which host devices will be assigned addresses through DHCPv6. That is, it should be possible for a service provider to place its own host devices at the customer premises and have the RG only support DHCPv6 address assignment to those devices. Note that this does not require use of the RA "M" flag, as the service provider host devices can be configured to always use DHCPv6 for address assignment. The DUID may help to identify host devices.
LAN.DHCPv6S.	5	The RG MUST be configurable to enable/disable prefix delegation via DHCPv6.
LAN.DHCPv6S.	6	The RG MUST support delegation of any received WAN prefix and its own ULA prefix, that is shorter than /64, using mechanisms of RFC 3633.
LAN.DHCPv6S.	7	The WAN / ULA prefixes that an RG is allowed to further delegate SHOULD be configurable.
LAN.DHCPv6S.	8	The RG MUST support DHCPv6 Information_request messages.
LAN.DHCPv6S.	9	The RG MUST support the following DHCPv6 options: IA_NA (RFC 3315), IA_PD (RFC 3633), and DNS_SERVERS (RFC 3646).
LAN.DHCPv6S.	10	The RG SHOULD support Reconfigure Accept (RFC 3315) and pass the additional set of DHCP options received from the DHCP client on its WAN interface to IPv6 hosts.
LAN.DHCPv6S.	11	The options that the RG will provide via DHCPv6 MUST be configurable.
LAN.DHCPv6S.	12	If address selection policy option is requested in a DHCPv6 request from hosts, the RG SHOULD advertise the generated address selection policy (see WAN.IPv6.21).
DNS		Naming Services (IPv4 and general requirements)
LAN.DNS.	1	The RG MUST be capable of acting as a DNS server to LAN devices, passing its address as the DNS server back to these devices in DHCPv4 requests.
LAN.DNS.	2	The RG SHOULD allow the user to specify that either network-learned or user-specified addresses be passed back to LAN devices as the DNS server(s) in DHCPv4 responses, instead of the RG's address.

Section	Item	Requirements
LAN.DNS.	3	<p>When the RG learns DNS name server addresses from multiple WAN connections, the RG MUST follow specified DNS selection policy (if one is configured) to make recursive queries to DNS name servers, or (if there is no DNS selection policy) MUST query a server on each connection simultaneously and provide the requesting LAN client with the first returned positive result from these DNS servers. A negative response will not be transmitted to a LAN device until all WAN DNS servers have either timed out or returned a negative response to a common query.</p> <p>Service providers may choose not to provide DNS name server addresses on certain connections in a multiple connection configuration.</p>
LAN.DNS.	4	The RG MUST add the DNS entry "dsldevice" for its own address.
LAN.DNS.	5	The RG MAY support additional DNS entries, as there could be additional types of CPE.
LAN.DNS.	6	<p>The RG MUST maintain local DNS entries for a minimum of 253 local LAN devices. This information can be obtained through auto discovery (e.g. from DHCPv4 requests, such as Client Identifier, and other protocol information). When unknown, the entry MUST be of the form "unknownxxxxxxxxxxxx" where "x" represents the MAC address of the associated LAN device.</p>
LAN.DNS.	7	The RG SHOULD provide a manual mechanism for overriding the learned names of all LAN CPE except that of the RG itself.
LAN.DNS.	8	If the RG's DNS server is implemented as a forwarding proxy, it MUST be done according to the recommendations in RFC 5625.
DNSv6		Naming Services (IPv6)
LAN.DNSv6.	1	The RG MUST act as a DNS server for IPv6-capable LAN devices by supporting IPv6 (AAAA) records in its DNS server (per RFC 3596) and allowing these records to be queried using either IPv4 or IPv6 transport (RFC 3901).
LAN.DNSv6.	2	The RG MUST attach all known (for the host device) globally scoped IPv6 addresses to the DNS record for a particular host device (see LAN.DNS.6), as AAAA records for that device.
LAN.DNSv6.	3	The RG SHOULD support dynamic DNS (DDNS) for devices to provide their own DNS information. This would override any DNS entries the RG might have created for the IP addresses included in the DDNS request.

Section	Item	Requirements
LAN.DNSv6.	4	The RG MUST be able to query for A and AAAA records using either IPv4 or IPv6 transport to DNS recursive name servers in the WAN.
LAN.DNSv6.	5	The RG SHOULD use a DNS recursive name server obtained through DHCPv6 option 23 (OPTION_DNS_SERVERS) to query for AAAA records to the WAN, as its first choice.
LAN.DNSv6.	6	When the RG is proxying DNS queries for LAN devices, it SHOULD use IPv6 transport regardless of the transport mode used by the LAN device, when querying to the WAN. This is only possible if the RG has IPv6 addresses for DNS recursive name servers on the WAN.
LAN.DNSv6.	7	The RG MUST support receiving at least 2 DNS recursive name server IPv6 addresses from the network through DHCPv6 option 23 (OPTION_DNS_SERVERS) (RFC 3646).
LAN.DNSv6.	8	The RG SHOULD allow the user to specify that the network-learned or user-specified DNS recursive name server addresses be passed back to the LAN devices in DHCPv6 responses instead of the RG's address itself as the DNS recursive name server(s).
LAN.DNSv6.	9	When the RG learns DNS name server addresses from multiple WAN connections, the RG SHOULD make recursive query to the DNS name server specified with DNS selection policy that is obtained through DHCPv6 (draft-ietf-mif-dns-server-selection) or manually configured DNS selection policy.
NAT		NAT/NAPT
LAN.NAT.	1	The RG MUST support Network Address Port Translation (NAPT; also known as Port Address Translation) as defined in IETF RFCs 2663, 3022 and 3027.
LAN.NAT.	2	The RG MUST support disabling NAPT.
PFWD		Port Forwarding (IPv4)
LAN.PFWD.	1	The RG MUST support port forwarding. That is, the RG MUST be able to be configured to direct traffic based on any combination of source IPv4 address, source protocol (TCP or UDP) and port (or port range) to a particular LAN device and port (or port range on that device). Individual port forwarding rules MUST be associated with a LAN device, not the IPv4 address of the LAN device, and follow the LAN device should its IPv4 address change.

Section	Item	Requirements
LAN.PFWD.	2	The port forwarding mechanism MUST be able to be configured to direct all inbound unidentified or unsolicited port traffic originating from a user-selected public IPv4 address to any user selected LAN device. The LAN device may be using either a private IPv4 address or the public WAN IPv4 address as identified in requirement LAN.ADDRESS.6 and LAN.ADDRESS.7.
LAN.PFWD.	3	The port forwarding mechanism of the RG SHOULD be easy to configure for common applications and user protocols (e.g. ftp, http, etc.) by specifying a protocol name or application name in a "Common Applications Names List" instead of a port number and protocol type. A partial list of applications for potential inclusion appears in Appendix I.
LAN.PFWD.	4	The "Common Applications Names List" mechanism MUST be integrated with the port forwarding mechanism.
LAN.PFWD.	5	The RG MUST include port forwarding configurations and "Common Applications Name Listings" for the following applications and protocols that do not function properly with NAT or NAPT: FTP client, H.323, SIP, IPsec, PPTP, MSN Messenger, AOL Instant Messenger, Yahoo Messenger and ICQ.
LAN.PFWD.	6	The RG SHOULD include port forwarding configurations and "Common Applications Name Listings" for other major applications and protocols that do not function properly with NAT or NAPT.
PFWDv6		Port Forwarding (IPv6)
LAN.PFWDv6.	1	The RG MUST support security mechanisms described in RFC 6092.
LAN.PFWDv6	2	Individual port forwarding rules MUST be associated with a LAN device, not the IPv6 address of the LAN device, and follow the LAN device should its IPv6 address change.
LAN.PFWDv6	3	The port forwarding mechanism of the RG SHOULD be easy to configure for common applications and user protocols (e.g. ftp, http, etc.) by specifying a protocol name or application name in a "Common Applications Names List" instead of a port number and protocol type. A partial list of applications for potential inclusion appears in Appendix I.
LAN.PFWDv6.	4	The RG SHOULD NOT apply RFC 6092 security mechanisms to traffic associated with prefixes it has delegated to other routers inside the LAN.

Section	Item	Requirements
ALG		ALG Functions (IPv4)
LAN.ALG.	1	The RG MUST allow for pass-through of IPv4 traffic in which the payload is compressed or encrypted (e.g. VPN traffic). This means that, as well as the RG, it must be possible that LAN CPE originate PPTP and L2TP sessions to an external network (over IPv4).
LAN.ALG.	2	The RG MUST allow LAN CPE to originate IPv4 IPsec sessions to an external network. This function MUST work properly through the NAPT function of the RG.
LAN.ALG.	3	<i>This requirement is encompassed by .4</i>
LAN.ALG.	4	The RG MUST allow multiple devices on the LAN to launch independent and simultaneous IPv4 IPsec sessions. These sessions can be to the same or separate destinations.
LAN.ALG.	5	The RG MUST support LAN device UDP encapsulation of IPv4 IPsec packets as defined in IETF RFC 3948.
LAN.ALG.	6	The RG MUST support LAN device negotiation of NAT traversal with IKE as identified in IETF RFC 3947.
LAN.ALG.	7	The RG should support a minimum of 4 concurrent LAN IPv4 IPsec sessions per LAN device. These sessions can be to the same or separate destinations.
LAN.ALG.	8	The RG MUST seamlessly handle RTSP traffic to LAN devices with no user intervention required.
LAN.ALG.	9	The RG MUST allow the service provider to disable SIP ALG functionality.
LAN.ALG.	10	The RG MUST be aware of the presence of active SIP clients on the LAN side using some rules (e.g. matching IP address, port, or protocol number through interception of SIP REGISTER messages).
LAN.ALG.	11	The SIP ALG function MUST keep track of SIP events (e.g. REGISTER reply from the registrar) and maintain allocated resources within the event timeout period.
FWD		Connection Forwarding The IPv6 parts of this module apply only if the RG has an IPv6 stack.
LAN.FWD.	1	The RG MUST be able to route IP (v4 or v6) over Ethernet to LAN CPE.
LAN.FWD.	2	PPPoE forwarding and associated operation in the RG MUST NOT fail nor operate improperly in the presence of vendor-specific PPPoE extensions that may be in use by LAN devices (i.e. the RG MUST interoperate with well known PPPoE client software).

Section	Item	Requirements
LAN.FWD.	3	The RG MUST support a minimum of eight LAN device-initiated PPPoE sessions from each LAN device being forwarded to a logical WAN connection.
LAN.FWD.	4	The RG MUST be able to forward up to eight PPPoE sessions per logical WAN interface (PVC, IETF RFC 2684 connection, VLAN, etc.).
LAN.FWD.	5	The RG MUST be able to forward PPPoE sessions at all times when encapsulating Ethernet over AAL5. This applies when the RG has set up zero or more PPPoE sessions and/or when the RG is also running IP over Ethernet. The default setting MUST be for this pass-through to be on.
LAN.FWD.	6	The RG MUST support manually setting (via the Web GUI and TR-064/TR-069 interfaces) an MTU to be used in negotiating MTU, overriding the default MTU. This applies to MTU negotiated in IPv4 or IPv6.
LAN.FWD.	7	The RG MUST support path MTU discovery as defined in IETF RFC 1191 so that a LAN device can be told what to set its MTU to for IPv4 traffic.
LAN.FWD.	8	The RG MUST support accepting IP (v4 and v6) forwarding/routing information via the TR-069 interface.
LAN.FWD.	9	The RG MUST maintain route table entries for all connections it maintains on the WAN (e.g. per PVC, IP (v4 and v6) and PPP sessions) and for all LAN networks (including subnets).
LAN.FWD.	10	The RG MUST allow for the selection of which traffic to forward over which connection (in the case of multiple PVCs, multiple PPPoE sessions, GPON Port ID, etc...) according to any one or more of the following pieces of information: <ol style="list-style-type: none"> (1) destination IP (v4 or v6) address(es) with subnet mask, (2) originating IP (v4 or v6) address(es) with subnet mask, (3) source MAC address, (4) destination MAC address, (5) protocol (TCP, UDP, ICMP, ...) (6) source port, (7) destination port, (8) IEEE 802.1Q user priority, (9) FQDN (fully qualified domain name) of WAN session, (10) DiffServ codepoint (IETF RFC 3260), (11) Ethertype (IEEE 802.3 length/type field), and (12) traffic handled by an ALG.

Section	Item	Requirements
LAN.FWD.	11	<p>The RG MUST allow for the selection of which traffic to forward over which connection (in the case of multiple PVCs, multiple PPPoE sessions, etc.) according to any one or more of the following pieces of information:</p> <ul style="list-style-type: none"> (1) IEEE 802.1Q VLAN identification, and (2) packet length (Note: to be used judiciously to avoid out of order packet delivery).
LAN.FWD.	12	The RG MUST NOT bridge or route between WAN connections (i.e. WAN to WAN) except when explicitly configured to do so.
LAN.FWD.	13	The RG MUST NOT forward UPnP traffic (including UPnP multicast messages) to the WAN interface. This applies to both bridged and routed style configurations. This satisfies TR-101 R-235.
LAN.FWD.	14	<p>The RG SHOULD be able to restrict the routing information for each WAN connection to specific LAN devices.</p> <p>For example, a user might have four PCs in the home, have a WAN connection to the Internet and have a WAN connection to an employer's network. The RG could be configured to allow all PCs access to the Internet, but only one specific PC might be allowed to send traffic over the WAN interface to the employer's network.</p>
LAN.FWD.	15	The RG MUST support the possibility that all LAN devices concurrently access one or more WAN connections.
LAN.FWD.	16	The RG SHOULD support the ability to accept IPv4 routes dynamically pushed from the WAN. This allows it to set up routing tables to support routing traffic over multiple connections (PVCs, PPPoE sessions, etc.). In particular, the RG SHOULD be configurable to accept RIP version 2 (RIP-2) messages as defined in IETF RFC 2453 to fulfill this task.
LAN.FWD.	17	If RIP-2 is supported, it SHOULD be software configurable.
LAN.FWD.	18	If RIP-2 is supported, by default, the RG MUST NOT transmit RIP-2 information to WAN connections.
LAN.FWD.	19	If RIP-2 is supported, the RG MUST be configurable to accept triggered RIP messages, as defined in IETF RFC 2091.
LAN.FWD.	20	The RG MUST be able to bridge IPv4 or route IPv4 or IPv6 over an Ethernet session concurrently with at least one RG-originated PPPoE session on each PVC that is running bridged Ethernet over the AAL.
LAN.FWD.	21	The RG SHOULD be capable of initiating at least two PPPoE sessions per PVC and forwarding the IP (v4 or v6) traffic above PPPoE to the LAN CPE.

Section	Item	Requirements
IGMP.BRIDGED		
IGMP and Multicast in Bridged Configurations (IPv4)		
LAN.IGMP.BRIDGE D.	1	If the RG is in a bridge type architecture and an IGMP querier is supported in the access network, the RG MUST support IGMP snooping per IP bridge to an individual LAN addressable port or interface level (each Ethernet port, USB (PC), Wi-Fi, etc.). On each interface, the RG MUST forward only the multicast groups explicitly requested by that interface. A recommended reference implementation can be found in IETF RFC 4541.
IGMP.ROUTED		
IGMP and Multicast in Routed Configurations (IPv4)		
LAN.IGMP.ROUTED .	1	The RG MUST support an IGMP proxy-routing function as defined in IETF RFC 4605. This satisfies TR-101 R-225.
LAN.IGMP.ROUTED .	2	The RG MUST support IGMPv3 as defined in IETF RFC 3376. This satisfies TR-101 R-226.
LAN.IGMP.ROUTED .	3	The RG MUST support IGMP proxy-routing with local NAT and firewall features including establishing any pin-holes in the firewall for the multicast streams received (after join). This satisfies TR-101 R-227.
LAN.IGMP.ROUTED .	4	When the RG is configured with multiple WAN-facing IPv4 interfaces (e.g. PPP or IPoE), the IGMP proxy-routing function MUST be able to configure a filter for multicasting upstream IGMP messages to one or more interfaces. This satisfies TR101 requirements R-228 and R-229.
LAN.IGMP.ROUTED .	5	When the RG receives an IGMP membership query on a given WAN-facing IPv4 interface, the IGMP proxy-routing function MUST only send a corresponding membership report on this specific interface. This satisfies TR-101 R-230.
LAN.IGMP.ROUTED .	6	The RG SHOULD be able to classify IGMP requests according to source IPv4/MAC address or incoming LAN physical port to distinguish between multicast services (e.g. IPTV and some other best effort Internet multicast application). This satisfies TR-101 R-231.
LAN.IGMP.ROUTED .	7	The RG MUST have a way to suppress the flooding of multicast to all LAN devices by only sending the traffic to selected ports/interfaces, either through configuration of dedicated ports connecting to multicast hosts or IGMP proxy-routing (where the traffic is only sent to host devices that have joined the multicast group). This satisfies TR-101 R-232.

Section	Item	Requirements
LAN.IGMP.ROUTED .	8	It MUST be possible to configure a WAN-facing IPv4 interface with an IPoE encapsulation and no IPv4 address visible by the access network. It MUST be possible to receive multicast traffic on such an interface, independent of whether upstream IGMP is sent on this interface or not. The RG's IGMP proxy-routing function MUST be able to send upstream IGMP traffic on such an interface, using an unspecified (0.0.0.0/::) IPv4 source address. This satisfies TR-101 requirements R-269, R-270 and R-271.
LAN.IGMP.ROUTED .	9	All RG LAN ports and interfaces MUST be capable of processing IGMP messages.
LAN.IGMP.ROUTED .	10	The RG SHOULD be able to allow (default) or discard IGMP join requests based on the source interface, port and host. This satisfies the requirement stated in TR-101 R-233.
LAN.IGMP.ROUTED .	11	The RG MUST support IGMP snooping per IPv4 bridge to an individual LAN addressable port or interface level (each Ethernet port, USB (PC), Wi-Fi, etc.). A recommended reference implementation can be found in IETF RFC 4541.
LAN.IGMP.ROUTED .	12	The RG MUST be configurable to prevent sending IGMP messages to the WAN interfaces for specified multicast groups or ranges (such as 239.0.0.0 through 239.255.255.255 for IPv4, which are limited scope or administratively scoped addresses).
LAN.IGMP.ROUTED .	13	The RG MUST default to not sending IGMP messages for IPv4 addresses 239.0.0.0 through 239.255.255.255 to the WAN interfaces. This satisfies TR-101 R-235.
LAN.IGMP.ROUTED .	14	<p>The RG MUST have a join and leave latency less than 20 ms. This means that when the RG receives a leave, it must stop sending the stream to that device (although it is expected to continue sending to other devices that have not left) in less than 20 ms. The RG must not wait for the results of a membership query before it stops sending the stream. Rather, it must rely on its membership database to know whether there are other devices receiving that stream. When the RG receives a join, its allocation of the overall time for starting to forward that stream must not exceed 20 ms.</p> <p>This latency definition handles southbound join/leave; however a definition for the northbound join/leave latency will also be useful. Also, the northbound as well as southbound latency definition involves a tradeoff between multicast system dynamics (lower latency -> higher dynamics) and bandwidth efficiency (low latency -> better bandwidth efficiency). A statistical analysis will be helpful, based on empirical TV channel switching dynamics, when available.</p>

Section	Item	Requirements
LAN.IGMP.ROUTED .	15	The RG MUST support IGMP immediate leave (also known as fast leave) with explicit host tracking. This satisfies TR-101 R-234.
LAN.IGMP.ROUTED .	16	The RG MUST support a minimum of 32 multicast groups.
LAN.IGMP.ROUTED .	17	The RG SHOULD support a minimum of 64 multicast groups.
LAN.IGMP.ROUTED .	18	The RG MUST be configurable to log (on demand) all IGMP messages on both the LAN and WAN interfaces.
LAN.IGMP.ROUTED .	19	The RG MUST be able to provide a summary of the current state of IGMP group memberships as managed by the RG (e.g. multicast groups and LAN devices currently associated with each multicast group).
LAN.IGMP.ROUTED .	20	The RG MUST be able to provide a summary of IGMP activity over specific time periods (e.g. previous hour, previous day, since reboot, etc.), per multicast stream and per LAN device.
LAN.IGMP.ROUTED .	21	The RG MUST be able to report IGMP statistics and logs through the Web GUI and TR-064/TR-069 interfaces.
LAN.IGMP.ROUTED .	22	The RG MUST be capable of supporting LAN to LAN multicast between devices on a shared medium, and between devices on separate switched LAN interfaces.
LAN.IGMP.ROUTED .	23	The RG MUST be configurable as to how many simultaneous multicast streams are allowed from WAN to LAN.
MLD.ROUTED		MLD and Multicast in Routed Configurations (IPv6)
LAN.MLD.ROUTED.	1	The RG MUST support MLDv2 as defined in IETF RFC 3810.
LAN.MLD.ROUTED.	2	The RG MUST support functionality as described for IGMP in requirements LAN.IGMP.ROUTED. 1, 3-5, 7, 9, 11, 14-16, 18-23
LAN.MLD.ROUTED.	3	The RG SHOULD support functionality as described for IGMP in requirements LAN.IGMP.ROUTED. 6, 10, 17
LAN.MLD.ROUTED.	4	The RG MUST be configurable to prevent sending MLD messages to the WAN interfaces for specified multicast addresses or scopes.
LAN.MLD.ROUTED.	5	The RG MUST default to not sending MLD messages for scope of 0 through 8.

Section	Item	Requirements
FW		Firewall (Basic) This module applies to IPv6 as well as IPv4, but only if the RG has an IPv6 stack.
LAN.FW.	1	The RG MUST drop or deny IPv4 access requests from WAN side connections to LAN side devices and to the RG itself except in direct response to outgoing traffic or as explicitly permitted through configuration of the RG (e.g. for port forwarding or management).
LAN.FW.	2	The RG MUST support a separate firewall log to maintain records of transactions according to firewall rules.
LAN.FW.	3	The firewall log file MUST be able to hold at least the last 100 entries or 10 Kbytes of text.
LAN.FW.	4	Firewall log entries SHOULD NOT be cleared except when the RG is reset to its factory default settings.
LAN.FW.	5	The RG MUST timestamp each firewall log entry.
LAN.FW.	6	The RG MUST support the definition of IPv6 firewall rules separate from IPv4.
FW.SPI		Firewall (Advanced) This module applies to IPv6 as well as IPv4, but only if the RG has an IPv6 stack.
LAN.FW.SPI.	1	The RG MUST support a more robust firewall, such as one that provides a full OSI 7 layer stack stateful packet inspection and packet filtering function.
LAN.FW.SPI.	2	The RG SHOULD provide protection for the following: <ul style="list-style-type: none"> - Port scans - Packets with same source and destination addresses - Packets with a broadcast source address - Downstream packets with a LAN source address - Invalid fragmented IP (v4 or v6) packets - Fragmented TCP packets - Packets with invalid TCP flag settings (NULL, FIN, Xmas, etc.) - Fragmented packet headers (TCP, UDP and ICMP) - Inconsistent packet header lengths - Packet flooding - Excessive number of sessions - Invalid ICMP requests - Irregular sequence differences between TCP packets <p>The extent of this protection will be limited when the RG is configured as a bridge in which only PPPoE traffic is bridged. This protection MUST be available when the RG terminates IP (v4 or v6) or bridges IPv4.</p>

Section	Item	Requirements
LAN.FW.SPI.	3	Each type of attack for which protection is provided SHOULD be configurable on the RG and be on by default.
LAN.FW.SPI.	4	The RG MUST support passing and blocking of traffic by user-defined and TR-069 configurable rules.
LAN.FW.SPI.	5	The RG MUST support setting firewall rules by the TR-069 ACS that cannot be altered by the user. If firewall rules are set via security policies in TR-098 profiles, or via other mechanism such as TR-069 file download, the rules MUST NOT be able to be overridden by user firewall rules.
LAN.FW.SPI.	6	The RG MUST support the user temporarily disabling specific user-defined rules or all user defined rules, that is, without deleting the rules.
LAN.FW.SPI.	7	The RG MUST support the user specifying the order in which firewall rules are processed. Note: not all firewall rules need be included under the scope of this requirement.
LAN.FW.SPI.	8	The RG SHOULD support specification of any of the following in a firewall rule: <ul style="list-style-type: none"> - destination IP (v4 or v6) address(es) with subnet mask - originating IP (v4 or v6) address(es) with subnet mask - source MAC address - destination MAC address - protocol (0-255, or by alias: TCP, UDP, ICMP, IP, IGMP, eigrp, gre, ipinip, pim, nos, ospf, ...) - source port - destination port - IEEE 802.1Q user priority - FQDN (fully qualified domain name) of WAN session - DiffServ codepoint (IETF RFC 3260) - Ethertype (IEEE 802.3) length/type field) - Traffic matching an ALG filter - IEEE 802.1Q VLAN identification - packet length - TCP flags (urg, ack, psh, rst, syn, fin) - IP option values (potentially name aliases) - logical interface of source - logical interface of destination
LAN.FW.SPI.	9	The RG MAY support filtering based on other fields unique to specific protocols.

Section	Item	Requirements
LAN.FW.SPI.	10	The RG SHOULD support firewall rules that support generic pattern matching against the header or data payload of traffic. Logically this can be envisioned as: match(header[offset[,length max]],condition) match(payload[offset[,length max]], condition) where condition is (relationship, data) such as (=, ne, all, one, and, or) for a hex field (=, ne, gt, ge, lt, le) for a decimal/hex field (=, ne, contains) for a string field
LAN.FW.SPI.	11	The RG SHOULD support a set of predefined rules to which the user can set or reset the firewall settings.
LAN.FW.SPI.	12	If a set of predefined rules has been set on the RG, the RG rule set SHOULD be able to be used as the basis for a user maintained set of firewall rules.
LAN.FW.SPI.	13	In addition to blocking or passing traffic identified by a firewall filter, the RG MUST support other actions as well, including but not limited to: <ul style="list-style-type: none"> - logging on success or failure, - notification on success or failure (to email or pager if supported), - sending notification to a PC monitor application (either originator and or centralized source), and - requesting verification from a PC monitor application.
LAN.FW.SPI.	14	The RG MUST allow for configuration of global firewall values.
LAN.FW.SPI.	15	The RG firewall SHOULD be either ICSA certified (www.icsalabs.com) or be able to display all the attributes necessary for ICSA certification for the current version of either the Residential category or the Small/Medium Business (SMB) category.
LAN.FW.SPI.	16	Unless configured otherwise, DOS, port blocking and stateful packet inspection MUST be provided to all LAN devices receiving traffic from the WAN interface.
FILTER.TIME		Time of Day Filtering
LAN.FILTER.TIME.	1	The RG MAY support filtering based on time of day on a per LAN device basis.
FILTER.CONTENT		Content Filtering
LAN.FILTER.CONTE NT.	1	The RG MAY support filtering based on web content or URL string screening techniques on a per LAN device basis.

Section	Item	Requirements
DIAGNOSTICS		Automated User Diagnostics
LAN.DIAGNOSTICS.	1	<p>If the RG is on the same subnet as any LAN device, when network connectivity problems occur, the RG MUST provide a mechanism that intercepts web browser pages (i.e. port 80 web page requests) and responds to these by directing the web browser to appropriate internal web pages to identify and resolve network connectivity problems including but not limited to:</p> <ul style="list-style-type: none"> - DSL cannot train - DSL signal not detected - Broadband Ethernet not connected (if applicable) - ATM PVC not detected (if applicable) - IEEE 802.1x failure (if applicable) - PPP server not detected (if applicable) - PPP authentication failed (if applicable) - DHCP not available
CAPTIVE		Captive Portal with Web Redirection
This module applies to IPv6 as well as IPv4, but only if the RG has an IPv6 stack.		
LAN.CAPTIVE.	1	<p>The RG MUST support a redirect function, which, when enabled, intercepts WAN destination IP (v4 or v6) HTTP requests and responds to these by substituting a specified URL in place of the web page request.</p> <p>The URL, as well as a list of locations for which this redirect would be bypassed (i.e. white list), MUST be settable through the TR-069 interface.</p> <p>The actual captive portal to be redirected to may be established at the time the white list is defined or the white list may be defined first and the captive portal specified at a later time.</p>
LAN.CAPTIVE.	2	The redirection function and associated fields MUST NOT be modifiable by the subscriber.
LAN.CAPTIVE.	3	The RG MUST support turning on and off the redirect function when the captive portal URL field is populated and cleared respectively by the TR-069 ACS.
LAN.CAPTIVE.	4	All port 80 traffic, excluding that associated with the white list, MUST be redirected when the redirect function is turned on in the RG.
LAN.CAPTIVE.	5	To specify the captive portal, the RG must accept an IPv4 or IPv6 address or a URL whose length does not exceed 2000 characters.

Section	Item	Requirements
LAN.CAPTIVE.	6	The redirect white list MUST support 512 separate list entries, each of which can be an individual IP (v4 or v6) address, a range of IPv4 addresses, an IPv6 prefix, or any combination thereof. For a range of IPv4 addresses a subnet mask is required.
LAN.CAPTIVE.	7	Variable length subnet masking (VLSM) MUST be supported in the redirect white list. For example: - Individual IPv4 address: ipaddress or ipaddress/32 or ipaddress 255.255.255.255 - Range of 64 IPv4 addresses ipaddress/26 or ipaddress 255.255.192.0
LAN.CAPTIVE.	8	The RG MUST support only one set of captive portal and redirect settings at a time. If new settings are needed, the ACS will overwrite existing values within the RG.
LAN.CAPTIVE.	9	A valid set of redirect settings MUST be enabled in an RG within five seconds of the redirect URL being sent from the ACS.
LAN.CAPTIVE.	10	The redirect function MUST be disabled on the RG within five seconds of the captive portal string being cleared in a RG by an empty redirect URL being sent from the ACS.
LAN.CAPTIVE.	11	Incremental packet delay through the RG due to white list lookup MUST NOT exceed 5 ms.

QoS**LAN quality of service requirements**

LAN.QoS.	1	<p>The RG MUST support classification of LAN directed WAN traffic and placement into appropriate queues (or discard) based on any one or more of the following pieces of information:</p> <ol style="list-style-type: none"> (1) destination IP address(es) with subnet mask, (2) originating IP address(es) with subnet mask, (3) Diffserv codepoint (IETF RFC 3260), (4) protocol (TCP, UDP, ICMP, IGMP ...), (5) source TCP/UDP port and port range, (6) destination TCP/UDP port and port range <p>In an ATM based access network:</p> <ol style="list-style-type: none"> (7) ATM VPI/VCI <p>Where Ethernet is present on the access link:</p> <ol style="list-style-type: none"> (8) source MAC address, (9) destination MAC address, (10) IEEE 802.1Q Ethernet priority, (11) Ethertype (IEEE 802.3) length/type field), and (12) IEEE 802.1Q VLAN identification.
----------	---	---

Section	Item	Requirements
LAN.QoS.	2	The RG SHOULD support classification of LAN directed WAN traffic and placement into appropriate queues (or discard) based on any one or more of the following pieces of information: <ol style="list-style-type: none"> (1) packet length (note: to be used judiciously to avoid out of order packet delivery).
LAN.QoS.	3	The RG MUST support classification of LAN directed traffic and placement into appropriate queues (or discard) based on any one or more of the following pieces of information: <ol style="list-style-type: none"> (1) source MAC address, and (2) destination MAC address.
LAN.QoS.	4	The RG SHOULD support classification of LAN directed traffic and placement into appropriate queues (or discard) based on any one or more of the pieces of information defined in WAN.QoS. 1, WAN.QoS. 2, WAN.QoS. 22 and WAN.QoS. 23.
LAN.QoS.	5	The RG MUST support classification of LAN directed internally generated traffic and placement into appropriate queues based on any one or more of information defined in WAN.QoS. 20 and WAN.QoS. 21.
LAN.QoS.	6	The RG MUST be able to mark or remark the Diffserv codepoint of traffic identified based on any of the classifiers supported by the RG.
LAN.QoS.	7	The RG MUST support a minimum of four downstream queues per LAN port.
LAN.QoS.	8	The RG MUST duplicate the set of queues for each LAN egress port. This can be done logically or physically.
LAN.QoS.	9	The RG SHOULD be able to configure each queue for strict priority or weighted round robin scheduling. Strict priority queues are served with priority over all other queues. WRR queues are served on the basis of configurable weights.
LAN.QoS.	10	The RG MUST provide counters in terms of dropped and emitted packets/bytes for each queue. Statistics SHOULD be collected from the time of last counter reset or on a configurable sample interval.
LAN.QoS.	11	The RG MUST provide information about queue occupancy in terms of packets and peak percentage. Statistics SHOULD be collected from the time of last counter reset or on a configurable sample interval.
LAN.QoS.	12	The RG SHOULD be able to monitor the physical layer rate of the LAN interfaces, maintaining information about the current available bandwidth and measurement history.

Section	Item	Requirements
SIPserver		SIP Server
LAN.SIPserver.	1	The RG MUST support the SIP registrar server function (RFC 3261 [88]), accept <i>register</i> requests and respond to them with <i>success</i> or <i>failure</i> indication.
LAN.SIPserver.	2	The RG MUST support the SIP registrar server function (RFC 3261 [88]), and place the information it receives in <i>register</i> requests into the location service for the domain it handles.
LAN.SIPserver.	3	The RG MUST support the SIP redirect server function (RFC 3261 [88]), receive SIP requests and respond with 3xx (redirection) responses, directing the SIP client to contact an alternate set of SIP addresses.
LAN.SIPserver.	4	The RG MUST support the SIP proxy server function (RFC 3261 [88]), acting as a proxy for the SIP client to route SIP requests in the direction of the corresponding proxy server, and acting in place of a server to route SIP responses toward the SIP client.
LAN.SIPserver.	5	Acting as proxy, the RG MUST consistently operate in either a stateful or stateless mode for each new SIP request.
SIPmixer		SIP Mixer
LAN.SIPmixer.	1	The RG MUST support the SIP mixer function (RFC 3550 [92]) to mix incoming multiple streams to adapt to the participant's network condition.
LAN.SIPmixer.	2	The RG MUST have the capability to change the encoding format of incoming multiple streams.
LAN.SIPmixer.	3	The RG MUST terminate any RTCP messages sent to (or received from) clients, but generate its own RTCP messages and send them to (or send them out on behalf of) clients.
Interworking.UE-Authentication		3GPP User Equipment Authentication Support
LAN.Interworking.UE-Authentication	1	The RG MUST be able to act as an 802.1X authenticator using a RADIUS client (as defined in RFC 3579 [93]) connected to a fixed access AAA server.
LAN.Interworking.UE-Authentication	2	The RG MUST support proxying EAP-AKA/EAP-AKA' messages over RADIUS, using an internal RADIUS client.
LAN.Interworking.UE-Authentication	3	The RG MUST be able to receive policies from the AAA server during User Equipment authentication and during an ongoing session using RADIUS CoA as per RFC 5176 [125].
LAN.Interworking.UE-Authentication	4	The RG MUST be able to have pre-configured policies to handle User Equipment traffic or to download such policies via RADIUS from the AAA server during authentication or by using RADIUS CoA.
MGMT		Management & Diagnostics

Section	Item	Requirements
GEN		General
MGMT.GEN.	1	Configuration and installation of the RG SHOULD minimize the number of restarts of the RG when enabling changes.
MGMT.GEN.	2	If software is loaded on LAN CPE for installation or configuration of the RG, this software MUST NOT require the associated LAN CPE to restart, except in the case of the installation of networking drivers (e.g. USB, wireless, etc.) or a change in IP address assignment (e.g. static to DHCP, public to private, private to public or assignment of a specific IP address using DHCP).
MGMT.GEN.	3	The RG MUST maintain an internal log of WAN side connection flows (e.g. WAN link layer, DHCP, IP and PPP sessions). At a minimum, the log MUST record the last 250 events. This includes WAN physical interface events initiated locally or by the access network. The purpose of the log is to provide a troubleshooting aid in resolving line and connection problems.
MGMT.GEN.	4	The RG MUST timestamp each log entry.

Section	Item	Requirements
MGMT.GEN.	5	<p>The factory default timestamp value for log entries SHOULD indicate the elapsed time since the unit was first powered on. The log entry timestamp SHOULD be formatted, consistent with ISO 8601, as follows:</p> <p>PYYYY-MM-DDThh:mm:ss</p> <p>where:</p> <p>P = the letter "P" used to indicate that what follows is a time interval (period) data element</p> <p>YYYY = number of years (digits)</p> <p>MM = number of months (digits, 00 – 11; 1 month is the equivalent of 30 days for time interval purposes)</p> <p>DD = number of days (digits, 00 – 29)</p> <p>hh = number of hours (digits, 00 – 23)</p> <p>mm = number of minutes (digits, 00 – 59)</p> <p>ss = number of seconds (digits, 00 – 59)</p> <p>Once the RG has established connectivity to an Internet based time server, all log entry timestamps SHOULD be formatted for GMT or user specified time zone (24 hour military format), consistent with ISO 8601, as follows:</p> <p>YYYY-MM-DDThh:mm:ss±hh:mm or YYYY-MM-DDThh:mm:ssZ ,</p> <p>where:</p> <p>YYYY = year (digits)</p> <p>MM = month (digits, 01 – 12)</p> <p>DD = day of month (digits, 01 – 31)</p> <p>T = the letter "T", used to indicate the start of the time of day</p> <p>Z = the letter "Z", used to indicate that the time is UTC (Coordinated Universal Time)</p> <p>hh = hours (digits, 00 – 23)</p> <p>mm = minutes (digits, 00 – 59)</p> <p>ss = seconds (digits, 00 – 59)</p> <p>±hh:mm = the difference between local time and UTC in hours and minutes</p> <p>(e.g. -05:00 would indicate Eastern Standard Time, 5 hours behind UTC)</p>
MGMT.GEN.	6	<p>The RG MUST have diagnostic information available that allows the user to identify the precise nature of any connection or performance problem. It MUST be able to indicate if the problem is at the physical layer, ATM, Ethernet, PPP, or IP layer. This information MUST be accessible from the Web GUI and TR-064/TR-069 interfaces.</p>

Section	Item	Requirements
MGMT.GEN.	7	The RG MUST have an embedded ICMP ping client capable of being initiated via the Web GUI and TR-069 interfaces to ping to WAN and LAN side IP addressable devices.
MGMT.GEN.	8	The RG log SHOULD reside on the RG and persist across power loss.
MGMT.GEN.	9	The RG log SHOULD NOT interfere with the normal performance of the RG. That is, writing log entries to non-volatile storage SHOULD NOT be done at a priority or in a manner that would degrade the user experience nor the connection throughput.
MGMT.GEN.	10	The RG MUST be able to start training, establish a network connection and respond to network tests by default upon power up prior to any additional configuration or software installation on the associated PC. The absence of a PC MUST have no effect on these operations.
UPnP		UPnP
MGMT.UPnP.	1	The RG MUST support UPnP device architecture 1.0. This specification is available for download at http://www.upnp.org .
MGMT.UPnP.	2	The RG MUST support UPnP device identification in accordance with the UPnP device architecture. The RG MUST display itself as a network device with the following information: <ul style="list-style-type: none"> - Manufacturer name - RG name - Model number - Description (e.g. VendorName Wireless Gateway) - Device address (e.g. http://192.168.1.254)
UPnP.IGD		UPnP IGD
MGMT.UPnP.IGD.	1	At a minimum, the RG MUST support UPnP InternetGatewayDevice:1 device template version 1.01 standardized DCP. This specification is available for download at http://www.upnp.org .
MGMT.UPnP.IGD.	2	The RG MUST allow the user to enable logging of all UPnP IGD actions and events.
MGMT.UPnP.IGD.	3	The user SHOULD be warned upon enabling UPnP IGD that this may allow applications to configure the box and allow unintended access to local devices.
UPnP.IGD.ACRF		UPnP IGD to allow Connection Request Forwarding
MGMT.UPnP.IGD.ACRF.	1	The RG MUST support UPnP Internet Gateway Device:2 root device as defined in [178]. This specification is available for download at http://upnp.org/specs/gw/UPnP-gw-InternetGatewayDevice-v2-Device.pdf

Section	Item	Requirements
MGMT.UPnP.IGD.A CRF.	2	The RG MUST support IGD specific security as defined in section 2.3 Security Policies of UPnP InternetGatewayDevice:2 [178]
MGMT.UPnP.IGD.A CRF.	3	Across resets or reboots, the RG MUST remove port mappings and pinholes.
UPnP.IGD.ACRF.IP v4		UPnP IGD to allow Connection Request Forwarding through the NAT of the device
MGMT.UPnP.IGD.A CRF.IPv4.	1	When the external IP address (ExternalIPAddress parameter) of the RG changes, the RG MUST continue to forward packets received on the new external IP as defined by the existing NAT port mappings rules
MGMT.UPnP.IGD.A CRF.IPv4.	2	The RG MUST have a WANIPConnection:2 service as defined in [179] when supporting a WAN IP Connection. The specification is available for download at http://upnp.org/specs/gw/UPnP-gw-WANIPConnection-v2-Service.pdf
MGMT.UPnP.IGD.A CRF.IPv4.	3	The RG MUST have a WANPPPCConnection:1 service as defined in [180] when supporting a WAN PPP Connection. The specification is available for download at http://upnp.org/specs/gw/UPnP-gw-WANPPPCConnection-v1-Service.pdf
MGMT.UPnP.IGD.A CRF.IPv4.	4	When supporting a WAN PPP Connection, the RG MUST support internal and external port values being different (the RG MUST NOT return SamePortValuesRequired on AddPortMapping).
MGMT.UPnP.IGD.A CRF.IPv4.	5	When supporting a WAN PPP Connection, the RG MUST support non permanent leases on port mappings (the RG MUST NOT return OnlyPermanentLeasesSupported on AddPortMapping).
MGMT.UPnP.IGD.A CRF.IPv4.	6	When supporting a WAN PPP Connection, the RG MUST support specific IP address for RemoteHost (the RG MUST NOT return RemoteHostOnlySupportsWildcard on AddPortMapping).
MGMT.UPnP.IGD.A CRF.IPv4.	7	When supporting a WAN PPP Connection, the RG MUST support specific port value for external port (the RG MUST NOT return ExternalPortOnlySupportsWildcard on AddPortMapping).
MGMT.UPnP.IGD.A CRF.IPv4.	8	The RG MUST support NAT (UPnP NATEnabled state variable set to "1" as well as UPnP ConnectionType state variable set to "IP_Routed").

Section	Item	Requirements
UPnP.IGD.ACRF.IPv6		UPnP IGD to allow Connection Request Forwarding through the Firewall of the device
MGMT.UPnP.IGD.ACRF.IPv6.	1	The RG MUST have a WANIPv6FirewallControl:1 service as specified in [181]. The specification is available for download at http://upnp.org/specs/gw/UPnP-gw-WANIPv6FirewallControl-v1-Service.pdf
MGMT.UPnP.IGD.ACRF.IPv6.	2	The RG MUST allow Inbound Pinhole management (InboundPinholeAllowed set to "1").
LOCAL		Local Management
MGMT.LOCAL.	1	If the RG is in a bridged configuration the RG MUST be able to disable all LAN side configuration mechanisms (i.e. the Web GUI, TR-064, etc.).
MGMT.LOCAL.	2	The RG MUST support a configuration mechanism from the PC based on XML as defined in TR-064.
MGMT.LOCAL.	3	The TR-064 based LAN side configuration mechanism MUST operate independently of the status or configuration of UPnP IGD in the RG.
MGMT.LOCAL.	4	The RG MUST be configurable via embedded, easy-to-use Web GUI pages.
MGMT.LOCAL.	5	TR-064 and Web GUI authorization MUST time out after 30 minutes of disuse.
MGMT.LOCAL.	6	The Web GUI pages MUST be available when the RG is in bridged mode.
MGMT.LOCAL.	7	The RG MUST NOT require browser support of Java, ActiveX nor VBSCRIPT in its web pages.
MGMT.LOCAL.	8	The Web GUI pages SHOULD minimize internal page complexity (e.g. excessive use of frames, pop-ups, style sheets, JavaScript, etc.) that places demands on browser resources or causes interoperability problems with different browsers. In general, all pages SHOULD load within five seconds.
MGMT.LOCAL.	9	The web interface MUST be OS independent and browser independent (e.g. must work with versions of Internet Explorer, Firefox, Chrome, Safari and Opera that were released within the past five years).
MGMT.LOCAL.	10	The RG MUST have a software mechanism by which the user can reset it to default factory settings.
MGMT.LOCAL.	11	The RG MUST support an RG access code (i.e. password) that protects it from being updated (firmware, configuration, operational state, etc.) from the local LAN. Additional password discussion appears in TR-064 and TR-069.

Section	Item	Requirements
MGMT.LOCAL.	12	If a default RG access code has been set, the default RG access code MUST be on the bottom of the RG.
MGMT.LOCAL.	13	If a default RG access code has been set, the RG MUST force the user to accept the default RG access code or install a new RG access code prior to allowing any initial configuration (e.g. during initial installation or after an RG reset to factory defaults).
MGMT.LOCAL.	14	The user MUST be able to disable the use of the RG access code. The user MUST be warned in the Web GUI of the implications of undertaking this action.
MGMT.LOCAL.	15	The RG MUST support updating of its firmware via the Web GUI and TR-064 interfaces.
MGMT.LOCAL.	16	The RG MUST use standard protocols when using FTP, HTTP and HTTPS as defined in IETF RFCs 959, 2616, 5246, and 2818.
MGMT.LOCAL.	17	The RG MUST support restarting the broadband connection (all layers) via the Web GUI and TR-064.
MGMT.LOCAL.	18	The RG SHOULD be able to copy log files to a PC on the local LAN or network server in ASCII text format, using the Web GUI and TR-064 interfaces.
MGMT.LOCAL.	19	The RG MUST have a quick start page in the Web GUI allowing for rapid configuration in a minimum number of steps (e.g. on a single page). Default values for PPPoE and PVC can be used to facilitate this.
MGMT.LOCAL.	20	The model and firmware/software versions MUST be easily identifiable via the Web GUI interface.
MGMT.LOCAL.	21	The Web GUI interface MUST allow the user to browse and select an update file from a local PC and use HTTP to update the RG using this file (see IETF RFCs 1867, 2388 and HTML 4.1 specifications for more details).
MGMT.LOCAL.	22	If the RG has been configured to do so, the Web GUI MUST allow the user to specify that firmware be updated from a predefined web location. The RG MUST allow the web location to be specified by the TR-064/TR-069 interfaces.
MGMT.LOCAL.	23	The web location MAY be predefined by the RG manufacturer. This value is overridden by the mechanisms and information identified in requirement MGMT.LOCAL.21.
MGMT.LOCAL.	24	If the RG has been configured to allow updating from a predefined web location, the RG MUST display an update button in the Web GUI. The user can then select the update button to initiate an update using a file retrieved via ftp or http as identified in the associated URL (2 URLs may be hard coded; the second URL will be used if file retrieval is not possible from the first URL).

Section	Item	Requirements
MGMT.LOCAL.	25	<p>If the RG has been configured to allow updating from a predefined web location, the mechanism used to identify the availability of an update, the description of the update and the actual update SHOULD operate solely based on the presence (or absence) of named files returned in a directory list using the web location URL.</p> <p>For example, an RG might retrieve the directory list, find the update associated with the RG by the presence of the following file:</p> <p style="padding-left: 40px;">Vendor-model-v100210-n100215.pkg</p> <p>This would identify that for device "model" from "vendor" currently running version 10.02.10 there exists an update whose version is 10.02.15. The text describing the update, if available, might be located in a file of the name:</p> <p style="padding-left: 40px;">Vendor-model-v100210-n100215.txt</p>
MGMT.LOCAL.	26	<p>If the RG has been configured to do so, the Web GUI MUST display a web link to which the user may go to browse for update files and other update information. The RG MUST allow this URL to be specified and overridden by TR-064/TR-069 interfaces.</p>
MGMT.LOCAL.	27	<p>The web link MAY be set to a default value by the RG manufacturer.</p>
REMOTE.TR-069		Remote Management (TR-069)
MGMT.REMOTE.TR-069.	1	<p>The RG MUST support the remote management protocol as defined in Broadband Forum TR-069 CPE WAN Management protocol.</p>
MGMT.REMOTE.TR-069.	2	<p>The RG MUST support Broadband Forum CWMP data model InternetGatewayDevice:1.13 [9] or later (profile Baseline:2), or MUST support Broadband Forum CWMP data model Device:2.7 [10] or later (profile Baseline:3).</p>
MGMT.REMOTE.TR-069.	3	<p>If the RG supports built-in file sharing clients (e.g. Windows networking, CIFS, Samba) or includes integrated storage server functions, the RG MUST NOT allow the use of the TR-069 file transfer mechanisms (i.e. upload and download RPCs) to place or retrieve files that are not explicitly authorized by the user on network shared storage locations to which the RG may have access.</p>
REMOTE.WEB		Remote Management (Web Browser)
		<p>This module applies to IPv6 as well as IPv4, but only if the RG has an IPv6 stack.</p>
MGMT.REMOTE.WEB.	1	<p>The RG MUST be able to allow temporary manual remote access to its web GUI remotely from the WAN interface.</p>

Section	Item	Requirements
MGMT.REMOTE.WE B.	2	When temporary WAN side remote access is enabled to the RG, the remote access session MUST be started within 20 minutes and the activated session MUST time out after 20 minutes of inactivity.
MGMT.REMOTE.WE B.	3	The user MUST be able to specify that the temporary WAN side remote access is a read only connection or one that allows for updates. The default MUST be read only.
MGMT.REMOTE.WE B.	4	Temporary WAN side remote access MUST NOT allow for changing the RG password.
MGMT.REMOTE.WE B.	5	Temporary WAN side remote access MUST be disabled by default.
MGMT.REMOTE.WE B.	6	Temporary WAN side remote access SHOULD be through HTTP over TLS (i.e. https using TLS).
MGMT.REMOTE.WE B.	7	The RG SHOULD use a randomly selected port for temporary WAN side remote access to prevent hacking of a well-known port.
MGMT.REMOTE.WE B.	8	If a default port is used for temporary WAN side remote access, it MUST be 51003.
MGMT.REMOTE.WE B.	9	The user MUST specify a non-blank password to be used for each temporary WAN side remote access session. This information MUST NOT be saved across sessions.
MGMT.REMOTE.WE B.	10	The User ID for all temporary WAN side remote access sessions, if required based on the method of implementation, MUST be "tech" by default.
MGMT.REMOTE.WE B.	11	The user MUST be able to change the User ID for all subsequent temporary WAN-side remote access sessions.
MGMT.REMOTE.WE B.	12	The RG MUST allow only one temporary WAN side remote access session to be active at a time.
MGMT.REMOTE.WE B.	13	Aside from the requirements in this profile, all other direct access to the RG from the WAN side MUST be disabled and blocked by default.
NTP		Network Time Client This module applies to IPv6 as well as IPv4, but only if the RG has an IPv6 stack.
MGMT.NTP.	1	The RG MUST support an internal clock with a date and time mechanism.
MGMT.NTP.	2	The RG clock MUST be able to be set via an internal time client from an Internet source using IETF RFC 1305.
MGMT.NTP.	3	The RG MUST support the use of time server identification by both domain name and IP (v4 or v6) address.

Section	Item	Requirements
MGMT.NTP.	4	If the RG includes default time server values, they SHOULD be specified by domain name and not by IP (v4 or v6) address.
MGMT.NTP.	5	The RG SHOULD allow configuration of the primary and alternate time server values in addition to or in place of any default values.
MGMT.NTP.	6	If the RG includes default time server values or if time server values are identified in documentation, these values SHOULD be selected using industry best practices for NTP and SNTP clients, as published in section 10 of IETF RFC 4330.
MGMT.NTP.	7	The time client SHOULD support DNS responses with CNAMEs or multiple A or AAAA records.
MGMT.NTP.	8	The default frequency with which the RG updates its time from a time server MUST NOT be less than 60 minutes, or use an operator-specific configuration.
MGMT.NTP.	9	The default frequency with which the RG updates its time from a time server MUST NOT be greater than 24 hours, or use an operator-specific configuration.
MGMT.NTP.	10	The frequency with which the RG updates its time from a time server SHOULD be able to be configured.

IF.WAN**WAN Interface Modules****ADSL****ADSL and ADSL2+**

IF.WAN.ADSL.	1	The RG MUST include an internal ADSL modem.
IF.WAN.ADSL.	2	The RG MUST complete training within the following time frames: <ul style="list-style-type: none"> - 60 seconds, for single mode operation on the default inner pair assuming line auto-sensing is not activated, or if auto-sensing is activated and ADSL is present on the default pair - 120 seconds, for auto-mode operation or for single mode operation if line auto-sensing is activated and ADSL is not present on the default pair - 150 seconds, for DELT-based auto-mode operation on the default inner pair assuming that line auto-sensing is not activated.
IF.WAN.ADSL.	3	The RG MUST pass the tests identified in TR-067, <i>ADSL Interoperability Test Plan</i> , and any subsequent updates or replacements to that document that exist at the time that the modem is tested, prior to its initial deployment. Within 6 months, RGs produced after changed or new test requirements have been approved MUST conform to those new requirements.
IF.WAN.ADSL.	4	The RG MUST train and pass data against all ITU-T 992.1 based ATU-C deployed in North America using TR-067 criteria.

Section	Item	Requirements
IF.WAN.ADSL.	5	The RG MUST comply with requirements as specified in ANSI T1.413-1998, ANSI T1.413a-2001 and ITU 992.1 for Annex A or Annex B depending upon regional requirements
IF.WAN.ADSL.	6	The RG MUST support FDM mode per ANSI T1.413 and ITU-T G.992.1.
IF.WAN.ADSL.	7	The RG MUST comply with ITU G.992.3 (ADSL2) and ITU G.992.5 (ADSL2+).
IF.WAN.ADSL.	8	The RG SHOULD comply with ITU G992.3 Annex L (RE-ADSL2).
IF.WAN.ADSL.	9	The RG MUST support trellis coding.
IF.WAN.ADSL.	10	The RG MUST be rate-adaptive and able to support all speeds between the minimum and maximum applicable to the associated DSL protocol in use (e.g. ADSL, ADSL2, ADSL2+, RE-ADSL, ...) and in the minimum increment applicable to the associated DSL protocol in use. For example, for ADSL, the RG MUST be able to support speeds in 32 kbps increments from 32 kbps to 8 Mbps downstream and 32 kbps to 800 kbps upstream.
IF.WAN.ADSL.	11	The RG MUST support dynamic rate adaptation.
IF.WAN.ADSL.	12	The RG MUST support independent upstream and downstream data rate provisioning.
IF.WAN.ADSL.	13	The RG MUST support bit swapping.
IF.WAN.ADSL.	14	The RG MUST support both fast and interleaved paths. This is not a requirement for dual latency support (e.g. running fast and interleaved at the same time to two different locations).
IF.WAN.ADSL.	15	The RG MUST have a high-pass filter at its ADSL line input to prevent the ADSL signal from causing noise on premises wiring.
IF.WAN.ADSL.	16	The RG SHOULD NOT incorporate an internal splitter (i.e. SHOULD NOT have a POTS passback port).
IF.WAN.ADSL.	17	The default pair used to detect the ADSL signal MUST be the inner pair (RJ-11 pins 3 & 4).
IF.WAN.ADSL.	18	The RG SHOULD provide line auto-sensing capabilities to automatically detect and select the ADSL signal on either the inner pair (pins 3 & 4) or outer pair (pins 2 & 5) of an RJ-11 jack. If the modem reaches showtime after performing DSL auto-sensing, the default pair will be set to the newly discovered pair. This can be the inner pair or the outer pair. The new default pair is stored on the RG across power off situations. DSL auto-sensing will be activated with the new default pair.

Section	Item	Requirements
IF.WAN.ADSL.	19	If DSL line auto-sensing is implemented, the RG MUST allow disabling of the automatic detection of the ADSL signal on the inner and outer pairs and allow specification of which pair to search for the DSL signal.
IF.WAN.ADSL.	20	The RG MUST conform to ANSI T1.413-1998 section 7.4.1.3 CRC requirements.
IF.WAN.ADSL.	21	The RG MUST support remote testing, remote diagnostics, performance monitoring, surveillance information access and other information access as identified in ANSI T1.413-1998 and ITU G.997.1. At a minimum non-optional requirements from these standards MUST be supported.
IF.WAN.ADSL.	22	The RG MUST provide detailed information for current connections and associated parameters including ADSL sync rate, power for both upstream and downstream directions, FEC error count, CRC error count, line attenuation, signal-to-noise margins, relative capacity of line, trained bit rate, graph of bits per tone, and loss of signal, loss of frame and loss of power counts.
VDSL2	VDSL2	
IF.WAN.VDSL2.	1	The RG MUST include an internal VDSL2 modem.
IF.WAN.VDSL2.	2	The RG MUST be able to terminate the VDSL2 signal through the inner pair of a 6-position (pins 3 and 4) or 8-position (pins 4 and 5) mini-modular jack (e.g. RJ-11, RJ-14, RJ-45).
IF.WAN.VDSL2.	3	The RG MAY be able to terminate VDSL2 over other connections, such as coax.
IF.WAN.VDSL2.	4	The RG MUST comply with ITU-T G.993.2 [160].
IF.WAN.VDSL2.	5	The RG MUST include support for the following application reference models from ITU-T G.993.2 [160]: - G.993.2 clause 5.4.2, Data with POTS service - G.993.2 clause 5.4.1, Data service (no POTS or ISDN)
IF.WAN.VDSL2.	6	The RG SHOULD support simultaneous transmission of US0 and US1 in profiles for which the capability of US0 has been indicated.
IF.WAN.VDSL2.	7	The RG MUST pass the functionality test plan of TR-115 [14].
IF.WAN.VDSL2.	8	The RG MUST pass the VDSL2 performance and interoperability test plans of TR-114 [13].
IF.WAN.VDSL2.	9	[North America] The RG MUST comply with ITU-T G.993.2 Annex A.
IF.WAN.VDSL2.	10	[Europe] The RG MUST comply with ITU-T G.993.2 Annex B.

Section	Item	Requirements
IF.WAN.VDSL2.	11	[Europe] The RG MUST include support for the following application reference model from ITU-T G.993.2: - G.993.2 clause 5.4.3, Data with ISDN service
xDSL		xDSL General Requirements
IF.WAN.xDSL.	1	Removing ac power from the RG MUST NOT prevent POTS from operating.
IF.WAN.xDSL.	2	A failure in the RG MUST NOT affect the private intra-premises network except for those functions provided by the RG (e.g. DHCP, DNS, L2 bridging).
IF.WAN.xDSL.	3	The RG MUST NOT cause any failure in or interference with the xDSL network.
IF.WAN.xDSL.	4	Failure or removal of LAN CPE connected to the DSL RG MUST NOT prevent POTS from operating.
IF.WAN.xDSL.	5	The RG MUST only synchronize within the minimum and maximum line rate parameters for a line as identified by the DSLAM or RT.
IF.WAN.xDSL.	6	RG packet forwarding performance and throughput MUST keep up with the DSL line rate.
xDSL.INP		xDSL INP Values
IF.WAN.xDSL.INP.	1	The RG MUST support ADSL INP values of 0, ½, 1, and 2. Note that certain DSL types such as ADSL 1 (ITU-T G.992.1) do not support setting INP values in the ATU-R.
IF.WAN.xDSL.INP.	2	The RG MAY support additional INP settings as specified in the appropriate ITU-T recommendations specific to each type of DSL.
xDSL.BOND		xDSL Bonding
IF.WAN.xDSL.BOND .	1	If the RG supports ATM-based bonding, it MUST comply with ATIS T1.427.01 and ITU-T G.998.1.
IF.WAN.xDSL.BOND .	2	If the RG supports Ethernet-based bonding, it MUST comply with ATIS T1.427.02 and ITU-T G.998.2.

Section	Item	Requirements
IF.WAN.xDSL.BOND .	3	<p>If the RG supports DSL bonding, the RG MAY support the following parameters in the web user interface and in vendor-specific extensions to TR-064 and TR-069:</p> <ul style="list-style-type: none"> – Group parameters (per group instance): <ul style="list-style-type: none"> • Group ID (group number assigned from ATM based xTU-C) • Status (valid values include: Operational, Unavailable) • Number of links (number of DSL links in the group) • RX cell loss (total number of cells lost in the receive direction for all ATM links) – Link parameters (per link instance): <ul style="list-style-type: none"> • Group ID (to which the link is a member for all ATM links) • Link status (valid values include: Not in use, Standby, Available) • Data rate (Should return the TC-layer data rate in bits/sec (in case of ATM, the ATM cell rate at the ATM layer after removal of idle/incorrect cells)
IF.WAN.xDSL.BOND .	4	The RG MUST support the bonding mechanism (as described in requirements IF.WAN.xDSL.BOND.1 and .2) associated with the underlying TPS-TC of the RG's xDSL link.
IF.WAN.xDSL.BOND .	5	When the RG has been configured to perform xDSL bonding of 2 pairs and uses a single mini-modular jack to connect to the xDSL lines, it MUST search for the signals on the inner pair (pins 3 & 4 for 6-pin, pins 4 & 5 for 8-pin) and outer pair (pins 2 & 5 for 6-pin, pins 3 & 6 for 8-pin) of the jack.
IF.WAN.xDSL.BOND .	6	When the RG has been configured to perform xDSL bonding of 2 pairs and uses two separate mini-modular jacks to connect to the xDSL lines, the pair used to detect the xDSL signal on both jacks MUST be the inner pair (pins 3 & 4 for 6-pin, pins 4 & 5 for 8-pin).
IF.WAN.xDSL.BOND .	7	If one of the xDSL connections drops, the remaining xDSL connection(s) MUST NOT be dropped, provided that the minimum provisioned data rate is met.
IF.WAN.xDSL.BOND .	8	The RG MUST be clearly labeled indicating that it supports xDSL bonding.

Section	Item	Requirements
IF.WAN.xDSL.BOND .	9	The RG MUST allow manual configuration of the following bonding options: <ul style="list-style-type: none"> - DSL line 1 only (single xDSL link on inner pair only if a single jack, or jack 1 if presented on separate jacks) - DSL line 2 only (single xDSL link on outer pair only if a single jack, or jack 2 if presented on separate jacks) - xDSL bonding (both xDSL links) using pairs for bonding described in IF.WAN.xDSL.BOND.5 and 6).
IF.WAN.xDSL.BOND .	10	The Web GUI on the RG MUST indicate when bonding is in use in terms of the connection type.
IF.WAN.xDSL.BOND .	11	When bonding has been enabled on the RG, the Web GUI and TR-064/TR-069 interfaces MUST indicate the state of the bonded lines even if one is not up.
xDSL.REPORT		xDSL Reporting of Physical Layer Issues
IF.WAN.xDSL.REPO RT.	1	The RG MUST be capable of reporting a DSL Re-Initialization Cause Code parameter via TR-069 to the ACS. When the RG re-initializes its DSL connection, it MUST store, in non-volatile memory, a code indicating the cause of the re-initialization. After re-initialization and after a data connection is available to the TR-069 server, the RG MUST report to the server the cause code. At a minimum, the following cause codes MUST be supported: <ol style="list-style-type: none"> 1) Autonomous re-initialization of the DSL connection 2) Loss of local power 3) External re-initialization, e.g. via a local reset 4) Cause not determined
IF.WAN.xDSL.REPO RT.	2	The RG MUST support all requirements in ITU-T Rec. G.997.1 (PLOAM).
IF.WAN.xDSL.REPO RT.	3	The RG MUST be capable of generating threshold-crossing alerts reported via TR-069 to the ACS for all mandatory performance-monitoring parameters (defined in ITU-T G.997.1) during a data collection interval for which threshold values have been assigned.
IF.WAN.xDSL.REPO RT.	4	The RG MUST allow the setting of data collection intervals (per ITU-T G.997.1), and reporting schedules via TR-069 to the ACS for performance monitoring at all monitoring points of the RG. The RG MUST NOT permit modifications to these parameters until the associated data collection is deactivated.
xDSL.SEALING		DC Sealing Current
IF.WAN.xDSL.SEALI NG.	1	The RG MUST provide for the termination of sealing current on either, or both, DSL line pairs. A sample circuit implementation reference diagram is provided in Appendix V.
IF.WAN.xDSL.SEALI NG.	2	The DC termination for sealing current MUST be capable of conducting at least 20mA of current.

Section	Item	Requirements
IF.WAN.xDSL.SEALING.	3	The DC termination MUST meet the requirements as specified in Annex I of ITU-T Recommendation G.992.3.
IF.WAN.xDSL.SEALING.	4	A low-pass filter MUST be in place between the DC termination and the DSL line. The filter MUST meet the following requirements, which are based on xDSL in-line filter requirements in ANSI T1.421-2001: <ul style="list-style-type: none"> - It MUST introduce less than 25 Ohms DC resistance tip-ring when the DC termination side is shorted. - It MUST have an impedance, from either conductor to ground, greater than 5 MΩ. - The capacitance, from either conductor to ground, MUST be less than 1 nF on the loop side - The attenuation MUST be at least 65 dB between 25 kHz – 12.0 MHz. - The input impedance, looking from network side into the LPF when terminated in the ON state on the termination side, MUST result in a bridging loss on the DSL line of not more than 0.25 dB, when measured at any frequency between 25 kHz and 12.0 MHz. - The DC resistance between tip and ring, when the DC termination side is open, MUST be at least 3.5 MΩ. - The input impedance, looking from the network side into the LPF when terminated in the ON state on the termination side, MUST result in a bridging loss in the voice band of not more than 0.5 dB, when measured at any frequency between 200 Hz and 4.0 kHz.
IF.WAN.xDSL.SEALING.	5	The RG MUST support enabling and disabling of the DC termination capability through its local Web GUI, and TR-064/TR-069 interfaces.
IF.WAN.xDSL.SEALING.	6	The RG SHOULD be able to detect the presence of POTS service on a line.
IF.WAN.xDSL.SEALING.	7	If POTS is detected by the RG, the termination MUST NOT be applied.
xDSL.SURGE AC Power Surge Protection		
IF.WAN.xDSL.SURGE.	1	The RG MUST tolerate an AC surge, as specified in EN 61000-4-5, test level 3; <ul style="list-style-type: none"> - Criterion 1: The RG MUST NOT – as a result of the surge – transmit or receive bit errors for more than 2 seconds. - Criterion 2: The RG MUST NOT – as a result of the surge – re-initialize. - Criterion 3: The RG MUST NOT – as a result of the surge – transmit a dying gasp message.

Section	Item	Requirements
IF.WAN.xDSL.SURGE	2	<p>The RG MUST tolerate electrical fast transients on the AC mains, as specified in EN 61000-4-4, test level 3:</p> <ul style="list-style-type: none"> - Criterion 1: The RG MUST NOT – as a result of electrical fast transients – transmit or receive bit errors at a rate greater than 10E-7 (care should be taken to ensure that fast transients are not coupled to the DSL pair). - Criterion 2: The RG MUST NOT – as a result of electrical fast transients – re-initialize. - Criterion 3: The RG MUST NOT – as a result of electrical fast transients – transmit a dying gasp message.
ETH		Ethernet (WAN)
IF.WAN.ETH.	1	If the RG supports an optional WAN Ethernet port, it MUST support 10BASE-T/100BASE-T presented on an RJ-45 jack.
IF.WAN.ETH.	2	If the RG supports a WAN Ethernet port in addition to another physical WAN link type (e.g. ADSL, VDSL2, ONU function, etc.), simultaneous use of both WAN ports MUST NOT be supported.
IF.WAN.ETH.	3	<p>An automatic WAN port selection function MAY be supported as follows:</p> <p>Upon first boot-up or power cycle of the RG, the RG MUST wait until it is fully operational prior to attempting to selecting the source WAN port to use. The RG MUST first search for a DSL signal prior to selecting the Ethernet port as the WAN link. This is intended to avoid race conditions that happen because DSL typically requires a longer time to detect physical layer than Ethernet.</p> <p>If both Ethernet and DSL signals are detected simultaneously, the RG MUST by default select the DSL link as the WAN source port.</p> <p>Once the source of the physical signal has been detected on a valid source connector, it MUST be used persistently until power is removed from the RG or the selection is overridden via Web GUI or TR-069. In other words, even if a connection is lost, the RG MUST NOT automatically switch to an alternate link source (e.g. DSL to Ethernet, or Ethernet to DSL). Automatic pair detection schemes are excluded from this requirement – meaning that DSL line 1/2 auto selection, and Ethernet auto-MDIX/MDX MUST still operate properly to accommodate end-user faulty wiring. For example if DSL line 1 is detected first, and the customer disconnects DSL and reconnects to line 2 instead, the RG should allow this type of switching and connect to DSL on line 2 and not by accident switch to a potentially present Ethernet signal instead.</p>

Section	Item	Requirements
IF.WAN.ETH.	4	The RG MUST support configuring the current default WAN port being used via Web GUI or TR-069 extension. This should result in the RG immediately switching to the selected port.
IF.WAN.ETH.	5	Any Ethernet port used as a WAN link SHOULD be non-blocking for LAN to LAN and LAN to WAN traffic flows. Blocking may occur in some implementations that utilize one port of a multi-port Ethernet switch for WAN use, sometimes as a result requiring LAN to LAN traffic to be forwarded and processed through the RG CPU.
GPON		GPON
IF.WAN.GPON.	1	The RG MUST include an integrated GPON ONU interface.
IF.WAN.GPON.	1a	The RG MUST comply with all mandatory requirements for the ONU as specified in TR-156.
IF.WAN.GPON.	2	The RG MUST comply with all mandatory requirements for the ONU as specified in ITU G.984.1, G.984.2 Amd 1, G.984.3 and G.988 and their amendments.
IF.WAN.GPON.	3	The RG MUST support requirements contained in Table 3.2 of ITU-T G.984.2 Amd1 (optical budget, source type, transmitter range, mean launched power min/max, extinction ratio, etc.). Note: With FEC enabled, the class C+ budget of G.984.2 Amd 2 is also possible.
IF.WAN.GPON.	4	<i>Requirement deleted</i>
IF.WAN.GPON.	5	<i>Requirement deleted</i>
IF.WAN.GPON.	6	<i>Requirement deleted</i>
IF.WAN.GPON.	7	<i>Requirement deleted</i>
IF.WAN.GPON.	8	<i>Requirement deleted</i>
IF.WAN.GPON.	9	The RG MUST support a downstream rate of 2488.32 Mbps and an upstream rate of 1244.16 Mbps.
IF.WAN.GPON.	10	<i>Requirement deleted</i>
IF.WAN.GPON.	11	<i>Requirement deleted</i>
IF.WAN.GPON.	12	<i>Requirement deleted</i>
IF.WAN.GPON.	13	<i>Requirement deleted</i>
IF.WAN.GPON.	14	<i>Requirement deleted</i>
IF.WAN.GPON.	15	<i>Requirement deleted</i>
IF.WAN.GPON.	16	<i>Requirement deleted</i>
IF.WAN.GPON.	17	<i>Requirement deleted</i>
IF.WAN.GPON.	18	<i>Requirement deleted</i>
IF.WAN.GPON.	19	<i>Requirement deleted</i>

Section	Item	Requirements
IF.WAN.GPON.	20	<i>Requirement deleted</i>
IF.WAN.GPON.	21	The RG MUST support forward error correction RS(255,239) as per ITU G.984.3 on the downstream link.
IF.WAN.GPON.	22	The RG MUST support forward error correction RS(255,239) as per ITU G.984.3 on the upstream link.
IF.WAN.GPON.	23	The RG MUST support static bandwidth assignment operation.
IF.WAN.GPON.	24	The RG MUST support dynamic bandwidth allocation (DBA) with the SR (status reporting) mode (mode 0) of operation.
IF.WAN.GPON.	25	<i>Requirement deleted; redundant with GPON.2.</i>
IF.WAN.GPON.	26	The RG MUST support basic GPON interface statistics collection, and display any applicable diagnostic results in the Web GUI and via TR-069 based on the architecture framework described in TR-142.
IF.WAN.GPON.	27	The RG MUST comply with Appendix II.2 of ITU-T G.988.
MoCA		MoCA (WAN)
IF.WAN.MoCA.	1	The RG MUST support a MoCA WAN interface compliant with the MoCA Alliance specification. Information regarding the specification is available only to members of the MoCA Alliance, further details can be obtained from the consortium at http://www.mocalliance.org .
IF.WAN.MoCA.	2	The RG MUST present the MoCA WAN link on an F-connector type coaxial connector.
IF.WAN.MoCA.	3	The RG MUST provide a facility to enable or disable the MoCA WAN port in the Web GUI, TR-064 and via TR-069. Note: The ability to remotely disable the port is intended for RGs with more than one WAN port.
IF.WAN.MoCA.	4	If the RG supports a MoCA WAN interface and additional WAN physical interfaces (e.g. xDSL, Ethernet, etc.), the RG SHOULD be able to automatically detect and connect through the active interface if only one such interface is connected.
IF.WAN.MoCA.	5	If multiple WAN interface types are supported, the RG MUST allow configuration via the Web GUI, TR-064 and via TR-069 of the default WAN interface that must be used as the active interface. This is intended to prevent inadvertent auto-switching between interfaces due to user wiring issues or temporary service outages.
IF.WAN.MoCA.	6	If the RG supports a MoCA WAN port and additional WAN physical interfaces (e.g. xDSL, Ethernet, etc.), simultaneous use of more than one WAN port MUST NOT be supported.
IF.WAN.MoCA.	7	If the RG supports both WAN and LAN MoCA connection, it MUST NOT use the same channel for both connections.

Section	Item	Requirements
IF.WAN.MoCA.	8	The RG port MAY have limited support for only two MoCA devices on the MoCA WAN link.
IF.WAN.MoCA.	9	The MoCA WAN port MUST support PER (Packet Error Rate) less than 1E-6 on the MoCA link. In this requirement, PER is a measurement of link layer error. Any additional PER caused by the dropping of packets as a result of the RG saturating the MoCA link is not included in the link layer PER specified in this requirement.
IF.WAN.MoCA.	10	The MoCA WAN port MUST support the following configurable parameters: <ul style="list-style-type: none"> - Channel - Privacy - Security key password (used to generate security keys for the MoCA link). - Manual or auto-selection of Network Coordinator through interfaces such as the Web GUI.
IF.WAN.MoCA.	11	The RG default Security key password MUST comply with the MoCA specification.
IF.WAN.MoCA.	12	The RG MAY support configuring a custom Security key password to meet service provider requirements.
IF.WAN.MoCA.	13	If the MoCA WAN port can operate on more than one channel the RG MUST support manual channel selection in the Web GUI, TR-064 or via TR-069. The frequency range for MoCA LAN port spans from 850MHz to 1.5GHz and each MoCA LAN channel covers 50MHz band.
IF.WAN.MoCA.	14	The power control function of a MoCA WAN port MUST comply with the following requirements: <ul style="list-style-type: none"> - The adjustable range of output power MUST be at least 25db - The target PHY rate is the maximum rate that a MoCA link should support. - If the measured PHY rate is less than the target PHY rate, it MUST be within 30Mbps of the target PHY rate unless the output power is already at maximum. - The measured PHY rate MAY be greater than the target PHY rate

Section	Item	Requirements
IF.WAN.MoCA.	15	The MoCA WAN network MUST support the following sustained aggregate MAC throughput with PER < 1E-6 with 50 db attenuation (measured aggregate MAC throughput is based on 1500 byte packets, independent of the traffic pattern): <ul style="list-style-type: none"> - 125Mbps with 2 MoCA devices in the network - 117.5Mbps with 3 MoCA devices in the network - 110.5Mbps with 4 MoCA devices in the network - 103.8Mbps with 5 MoCA devices in the network - 98Mbps with 6 and above MoCA devices in the network.
IF.WAN.MoCA.	16	The device to device ping reply time (round trip) across two MoCA devices on the same RF channel MUST be within 7ms on average and 10ms maximum.
IF.WAN.MoCA.	17	The RG MUST reach optimal MoCA link layer capacity within 5 minutes after power up.
IF.WAN.MoCA.	18	The RG SHOULD reach optimal MoCA link layer capacity within 3 minutes after power up.
IF.WAN.MoCA.	19	The RG MUST support sending/receiving packet to/from at least 64 MAC addresses on the MoCA interface.
IF.WAN.MoCA.	20	The RG MUST support basic MoCA interface statistics collection, parameter provisioning, and diagnostic results display in the Web GUI, TR-064 and via TR-069.

IF.LAN**LAN Interface Modules****ETH****Ethernet (LAN)**

IF.LAN.ETH.	1	The RG MUST support use of a straight-through (patch) cable between the Ethernet interface and a PC.
IF.LAN.ETH.	2	The RG SHOULD automatically sense the transmit and receive pair on the Ethernet physical connection.
IF.LAN.ETH.	3	The RG MUST have at least one 10/100BASE-T Ethernet port (RJ-45 jack) for connecting it to the home data network.
IF.LAN.ETH.	4	The RG MUST be able to support both 10BASE-T and 100BASE-T with auto negotiate for speed and duplex on a port-by-port basis according to IEEE 802.3.
IF.LAN.ETH.	5	The Ethernet LAN interface SHOULD allow for adjusting the inter-frame and collision back off timers so that traffic marked with Ethernet priority (as defined in IEEE 802.1Q) can get statistically better treatment on broadcast LAN segments.

Section	Item	Requirements
ETH.SWITCH		Ethernet Switch
IF.LAN.ETH.SWITCH.	1	If the RG supports additional Ethernet ports for connecting multiple Ethernet devices to the home network, the RG MUST provide at least 10BASE-T/100BASE-T switched Ethernet functionality (e.g. not a hub only). Requirements for individual Ethernet port functionality MUST comply with all "MUST" requirements in the IF.LAN.ETH section.
USB.PC		USB (PC)
IF.LAN.USB.PC.	1	The RG SHOULD have a client USB port (series "B" receptacle), allowing it to be a non-powered remote device (i.e. the RG has its own power source and does not get power across the USB interface) for a host computer.
IF.LAN.USB.PC.	2	If the RG has a client USB port, its USB interface MUST appear to the PC or other host device to be an Ethernet port (i.e. the PC drivers are Ethernet drivers), and not appear as a DSL modem (i.e. the RG MUST NOT require device modem drivers on LAN CPE).
IF.LAN.USB.PC.	3	If the RG has a client USB port, the USB port MUST be based on the USB 1.1 (or later) technical specification.
IF.LAN.USB.PC.	4	If the RG has a client USB port and USB 2.0 is supported, the USB interface MUST still work with a USB 1.1 based USB host controller based on the USB 2.0 standard.
IF.LAN.USB.PC.	5	Over the USB interface, the RG SHOULD support USB drivers for commercially available operating systems for home computers that have been released over the past seven years.
IF.LAN.USB.PC.	6	If the RG has only one Ethernet port and only one client USB port, the RG SHOULD be configurable through the TR-064/TR-069 interface so that only the Ethernet or client USB port is to be active at any one time. In this configuration, whenever one of the ports is in use, the other is disabled. If neither is in use, both are enabled. The default configuration of the RG SHOULD be that both ports are active at the same time.
VOICE.ATA		Voice ATA Ports
IF.LAN.VOICE.ATA.	1	If the RG supports VoIP ports integrated directly into the RG, it MUST comply with TR-122 requirements specific to RG Integrated ATA Ports.
IF.LAN.VOICE.ATA.	2	If the RG supports VoIP ports integrated directly into the RG, it MUST provide one LED on the front panel of the RG per unique line instance supported to indicate status and be located between the last LAN LED indicator and the Broadband LED indicator. For behavior specifications and labeling requirements of the VoIP port LEDs, refer to TR-122.

Section	Item	Requirements
WIRELESS.AP		Wireless: General Access Point Functions
IF.LAN.WIRELESS.A P.	1	The RG SHOULD have the ability to mitigate interference generated by wireless and other devices operating in the same or neighboring frequencies by using interference cancellation, management or antenna techniques.
IF.LAN.WIRELESS.A P.	2	The RG MUST have the ability to scan the frequency spectrum and select the best channel upon RESET and power on.
IF.LAN.WIRELESS.A P.	3	The RG MAY have the ability to perform interference detection dynamically and automatically switch to the best available channel. Interference detection techniques if implemented MUST NOT affect normal operation, performance or availability of the wireless function.
IF.LAN.WIRELESS.A P.	4	The RG's Wi-Fi (IEEE 802.11) access point MUST be able to have the channel configured to a fixed value selectable through the web GUI.
IF.LAN.WIRELESS.A P.	5	The RG MUST allow the user to select which LAN devices are allowed to access it through the wireless interface (i.e. MAC address filtering). By default, this restriction must be disabled.
IF.LAN.WIRELESS.A P.	6	<p>The RG Web GUI MUST provide indicators regarding the operational status of the wireless LAN and devices accessing the RG using the wireless interface. This includes but is not limited to the data elements below.</p> <p>For the AP RG itself, the following are the minimum required data elements (some may be per SSID if multiple SSIDs are supported):</p> <ul style="list-style-type: none"> - SSID(s) - SSID broadcast status - radio/SSID MAC address (if different from residential gateway) - IEEE 802.11b only, 802.11g only 802.b/g mixed mode selection - maximum power level - configured data rate(s) - supported data rate(s) - authentication information - encryption information - key management information - current signal strength - radio status (disabled, enabled) - current radio channel - radio channel selection (fixed, automatic, etc...) - ERP-PBCC status (if supported; enabled, disabled) - DSSS-OFDM status (if supported; enabled, disabled)

Section	Item	Requirements
		<ul style="list-style-type: none"> - packets transmitted - errored packets transmitted - packets received - errored packets received - devices connected - VLAN identification - DSCP identification
		For each wireless client connected to the RG AP, the following are the minimum required data elements:
		<ul style="list-style-type: none"> - SSID used - authentication used - encryption used - connection state - connected device rate - protocol used (IEEE 802.11b, 802.11g, 802.11n)
IF.LAN.WIRELESS.A P.	7	The RG MUST be Wi-Fi CERTIFIED for all applicable IEEE 802.11 standards supported by the RG.
IF.LAN.WIRELESS.A P.	8	The RG MUST be Wi-Fi CERTIFIED for WPA2-Personal.
IF.LAN.WIRELESS.A P.	9	The RG SHOULD be Wi-Fi CERTIFIED for WPA2-Enterprise.
IF.LAN.WIRELESS.A P.	10	The RG MUST be Wi-Fi CERTIFIED for Protected Setup as an AP type device with registrar support.
IF.LAN.WIRELESS.A P.	11	The RG MUST support the Wi-Fi Protected Setup push button method and MUST include a physical pushbutton and corresponding indicator light.
IF.LAN.WIRELESS.A P.	12	The RG MUST implement a Wi-Fi Protected Setup registrar user interface in the Web GUI to allow users to enter Wi-Fi device Protected Setup PIN codes.
IF.LAN.WIRELESS.A P.	13	The RG MUST be Wi-Fi CERTIFIED for WMM (Wi-Fi Multimedia subset function of 802.11e).
IF.LAN.WIRELESS.A P.	14	The RG MAY be Wi-Fi CERTIFIED for WMM Scheduled Access.
IF.LAN.WIRELESS.A P.	15	The RG MUST be Wi-Fi CERTIFIED for WMM-PS.
IF.LAN.WIRELESS.A P.	16	A minimum of 32 devices (without traffic) MUST be able to simultaneously connect to the AP of the RG.
IF.LAN.WIRELESS.A P.	17	The RG MUST support WEP using a 40 bit key (WEP-40). This is sometimes referred to as 64 bit WEP.
IF.LAN.WIRELESS.A P.	18	The RG MUST support WEP using a 104 bit key (WEP-104) as identified in IEEE 802.11i. This is sometimes referred to as 128 bit WEP.

Section	Item	Requirements
IF.LAN.WIRELESS.A P.	19	The RG MUST support both entry of hexadecimal encryption keys for use with WEP and ASCII based pass phrases for use with WPA.
IF.LAN.WIRELESS.A P.	20	Wireless MUST be enabled by default on the RG using a unique authentication/encryption key and relatively unique SSID name (e.g. "SSIDNAME1234" where the digits represent the last four digits of the RG serial number), or use an operator-specific configuration.
IF.LAN.WIRELESS.A P.	21	The SSID and key MUST be printed on a label on the bottom of the RG, or use an operator-specific packaging requirement.
IF.LAN.WIRELESS.A P.	22	The RG MUST allow disabling the broadcasting of the primary user SSID via the Web GUI. By default broadcasting MUST be enabled.
IF.LAN.WIRELESS.A P.	23	By default, the RG MUST block association requests that do not specify a valid SSID. That is, the RG MUST block association requests that probe for "any" SSID.
IF.LAN.WIRELESS.A P.	24 a	The RG SHOULD be able to simultaneously support at least four separate SSIDs.
IF.LAN.WIRELESS.A P.	24 b	Each SSID SHOULD have its own unique characteristics including protocol configuration, data rate supported, authentication, encryption and broadcasting status. These SHOULD be used in combination with forwarding and firewall mechanisms in the RG to direct traffic to specific connections and destinations.
IF.LAN.WIRELESS.A P.	25	The RG MUST support a mechanism based on source SSID of incoming wireless traffic of setting the Differentiated Services Code Point (DSCP) in the IP header as defined in IETF RFC 2474.
IF.LAN.WIRELESS.A P.	26	The RG MUST support setting the Ethernet VLAN identifier, defined in IEEE 802.1Q, of incoming wireless traffic to a configurable value based on SSID.
IF.LAN.WIRELESS.A P.	27	The RG MUST comply with regional regulations.
IF.LAN.WIRELESS.A P.	28	The RG MUST support the adjustment of transmitted radio power level manually or automatically.
IF.LAN.WIRELESS.A P.	30	The RG MUST be provisioned with only one advertised SSID by default.
WIRELESS.AP.Enterprise		Wireless: Enterprise
IF.LAN.WIRELESS.A P.Enterprise	1	The RG MUST be Wi-Fi certified for WPA2-Enterprise.

Section	Item	Requirements
IF.LAN.WIRELESS.A P.Enterprise	2	The RG MUST be able to simultaneously support at least two separate SSIDs.
WIRELESS.AP.ERP -Authenticator		Wireless: ERP Authenticator
IF.LAN.WIRELESS.A P.ERP-Authenticator.	1	The RG MUST support ERP Authenticator function (RFC 6696 [140]) to get ERP keying material from ERP peer (known as the supplicant).
IF.LAN.WIRELESS.A P.ERP-Authenticator.	2	The RG MUST support either a RADIUS client function (RFC 3579 [93]) or a Diameter client function (RFC 4072 [103]), to carry the ERP frames over the RADIUS or Diameter protocol toward a RADIUS or Diameter server.
IF.LAN.WIRELESS.A P.ERP-Authenticator.	3	The RG MUST support configuration of the parameters for it to connect to the RADIUS or Diameter server via Web GUI or TR-069 extension.
WIRELESS.11g		Wireless: 802.11g Access Point
IF.LAN.WIRELESS.1 1g.	1	The RG SHOULD have internal antennas.
IF.LAN.WIRELESS.1 1g.	2	The RG MUST NOT have an antenna that limits coverage to a single direction.
IF.LAN.WIRELESS.1 1g.	3	The RG MUST include an effective multi-antenna (at least 2) design for diversity reception.
IF.LAN.WIRELESS.1 1g.	4	The RG SHOULD include an effective multi-antenna (at least 2) design for diversity transmit.
IF.LAN.WIRELESS.1 1g.	5	The RG SHOULD support use of an external antenna(s) for improved performance beyond the requirements identified here.
IF.LAN.WIRELESS.1 1g.	6	The RG SHOULD have separate antennas for transmit and receive.
IF.LAN.WIRELESS.1 1g.	7	If an external antenna can be used with the RG, the RG SHOULD have a robust connector (e.g. be durable and not accidentally come off) for this connection.
IF.LAN.WIRELESS.1 1g.	8	The RG's Wi-Fi access point MUST have a maximum transmit power (EIRP) equal to or greater than 200 mW (23.01 dBm) when operating in the 802.11b mode.
IF.LAN.WIRELESS.1 1g.	9	The RG's Wi-Fi access point MUST have a maximum transmit power (EIRP) equal to or greater than 100 mW (20 dBm) when operating in the 802.11g mode.
IF.LAN.WIRELESS.1 1g.	10	The RG's Wi-Fi access point output power MUST be configurable between a minimum of 30 mW and the maximum capable from the RG.

Section	Item	Requirements																																																												
IF.LAN.WIRELESS.1 1g.	11	The RG Wi-Fi access point MUST meet the following minimum receiver sensitivity, maximum allowable path loss (computed as EIRP-receiver sensitivity) and delay spread tolerance specifications:																																																												
		<table border="1"> <thead> <tr> <th>Data Rate</th> <th>RX Sensitivity</th> <th>Max. Allowable Path Loss Spread</th> <th>Tolerance at <1% FER</th> </tr> </thead> <tbody> <tr> <td colspan="4"><i>802.11b</i></td> </tr> <tr> <td>11 Mbps</td> <td>-82 dBm</td> <td>104 dB</td> <td>65 ns</td> </tr> <tr> <td>5.5 Mbps</td> <td>-87 dBm</td> <td>107 dB</td> <td>225 ns</td> </tr> <tr> <td>2 Mbps</td> <td>-90 dBm</td> <td>110 dB</td> <td>400 ns</td> </tr> <tr> <td>1 Mbps</td> <td>-93 dBm</td> <td>113 dB</td> <td>500 ns</td> </tr> <tr> <td colspan="4"><i>802.11g</i></td> </tr> <tr> <td>54 Mbps</td> <td>-71 dBm</td> <td>87 dB</td> <td>120 ns</td> </tr> <tr> <td>48 Mbps</td> <td>-73 dBm</td> <td>89 dB</td> <td>120 ns</td> </tr> <tr> <td>36 Mbps</td> <td>-77 dBm</td> <td>93 dB</td> <td>240 ns</td> </tr> <tr> <td>24 Mbps</td> <td>-80 dBm</td> <td>96 dB</td> <td>240 ns</td> </tr> <tr> <td>18 Mbps</td> <td>-82 dBm</td> <td>98 dB</td> <td>300 ns</td> </tr> <tr> <td>12 Mbps</td> <td>-86 dBm</td> <td>102 dB</td> <td>300 ns</td> </tr> <tr> <td>9 Mbps</td> <td>-87 dBm</td> <td>103 dB</td> <td>300 ns</td> </tr> <tr> <td>6 Mbps</td> <td>-89 dBm</td> <td>105 dB</td> <td>300 ns</td> </tr> </tbody> </table>	Data Rate	RX Sensitivity	Max. Allowable Path Loss Spread	Tolerance at <1% FER	<i>802.11b</i>				11 Mbps	-82 dBm	104 dB	65 ns	5.5 Mbps	-87 dBm	107 dB	225 ns	2 Mbps	-90 dBm	110 dB	400 ns	1 Mbps	-93 dBm	113 dB	500 ns	<i>802.11g</i>				54 Mbps	-71 dBm	87 dB	120 ns	48 Mbps	-73 dBm	89 dB	120 ns	36 Mbps	-77 dBm	93 dB	240 ns	24 Mbps	-80 dBm	96 dB	240 ns	18 Mbps	-82 dBm	98 dB	300 ns	12 Mbps	-86 dBm	102 dB	300 ns	9 Mbps	-87 dBm	103 dB	300 ns	6 Mbps	-89 dBm	105 dB	300 ns
Data Rate	RX Sensitivity	Max. Allowable Path Loss Spread	Tolerance at <1% FER																																																											
<i>802.11b</i>																																																														
11 Mbps	-82 dBm	104 dB	65 ns																																																											
5.5 Mbps	-87 dBm	107 dB	225 ns																																																											
2 Mbps	-90 dBm	110 dB	400 ns																																																											
1 Mbps	-93 dBm	113 dB	500 ns																																																											
<i>802.11g</i>																																																														
54 Mbps	-71 dBm	87 dB	120 ns																																																											
48 Mbps	-73 dBm	89 dB	120 ns																																																											
36 Mbps	-77 dBm	93 dB	240 ns																																																											
24 Mbps	-80 dBm	96 dB	240 ns																																																											
18 Mbps	-82 dBm	98 dB	300 ns																																																											
12 Mbps	-86 dBm	102 dB	300 ns																																																											
9 Mbps	-87 dBm	103 dB	300 ns																																																											
6 Mbps	-89 dBm	105 dB	300 ns																																																											
IF.LAN.WIRELESS.1 1g.	12	The RG Wi-Fi access point MUST have an effective automatic data rate selection algorithm to allow the system to work close to its specified receiver sensitivity so as to maximize the AP coverage and throughput.																																																												
IF.LAN.WIRELESS.1 1g.	13	The RG MUST be Wi-Fi CERTIFIED for IEEE 802.11g[26].																																																												
WIRELESS.11a		Wireless: 802.11a Access Point																																																												
IF.LAN.WIRELESS.1 1a.	1	The RG MUST support and be Wi-Fi CERTIFIED for IEEE 802.11a [26]. Note that no radio requirements have been specified in detail for 802.11a when operating in dual-mode with 2.4GHz 802.11b/g																																																												
WIRELESS.11h		Wireless: 802.11h Access Point																																																												
IF.LAN.WIRELESS.1 1h.	1	The RG MUST support an 802.11h[26] wireless access point. Note that no radio requirements have been specified in detail for 802.11h when operating in dual-mode with 2.4GHz 802.11b/g																																																												
WIRELESS.11n		Wireless: 802.11n Access Point																																																												
IF.LAN.WIRELESS.1 1n.	1	The RG MUST work in one of the following modes: <ul style="list-style-type: none"> ○ 2.4GHz, ○ 5GHz, ○ 2.4GHz or 5GHz selectable ○ 2.4GHz and 5GHz concurrently. 																																																												

Section	Item	Requirements
IF.LAN.WIRELESS.1 1n.	2	The RG MUST implement MIMO technology and support MCS index 15 or above. Note: MCS defines Modulation and Coding Schemes; MCS-15 supports two spatial streams in both directions. While using 40MHz wide channel and 400ns guard interval, it can achieve 300Mbps through 64-QAM modulation.
IF.LAN.WIRELESS.1 1n.	6	The RG MUST support 802.11n 20/40MHz channel mode in the 5GHz frequency band.
IF.LAN.WIRELESS.1 1n.	10	The RG SHOULD support 802.11n 20/40MHz channel mode in the 2.4GHz frequency band. Note: WFA mandates not to configure 40MHz channel mode by default in the 2.4GHz band
IF.LAN.WIRELESS.1 1n.	13	The RG MUST support an aggregated MAC service data unit (A-MSDU) mechanism for Rx mode.
IF.LAN.WIRELESS.1 1n.	15	The RG MUST support an aggregated MAC protocol data unit (A-MPDU) mechanism for Rx and Tx mode.
IF.LAN.WIRELESS.1 1n.	17	The RG MUST be able to adjust the size of A-MSDU and A-MPDU according to the quality of the channel.
IF.LAN.WIRELESS.1 1n.	19	The RG MUST support a short guard interval (GI) of 400ns.
IF.LAN.WIRELESS.1 1n.	20	The RG MUST support dynamic MIMO power saving mode.
IF.LAN.WIRELESS.1 1n.	21	The RG MAY support greenfield mode.
HomePNA		HomePNA (Phoneline/Coax)
IF.LAN.HomePNA.	1	The RG MUST comply with all requirements in ITU-T G.9954 - Home networking transceivers – Enhanced physical, media access, and link layer specifications
IF.LAN.HomePNA.	2	The RG MUST support at least one of the following connector options for HomePNA: a) F-connector coaxial interface b) Modular RJ-11 style phone interface (optionally RJ-14 or RJ-45 connectors)
IF.LAN.HomePNA.	3	The HomePNA interface type MUST be configurable and persistent across RG restarts and reboots. This parameter MUST be independent of the configuration settings that may be in use by other HomePNA devices on the local LAN.

Section	Item	Requirements
IF.LAN.HomePNA.	4	The RG MUST support enable/disable of its HomePNA interface. The default MUST be enabled, or use an operator-specific configuration. This parameter MUST be independent of the configuration settings that may be in use by other HomePNA devices on the local LAN.
IF.LAN.HomePNA.	5	The RG MUST periodically collect Ethernet layer and channel performance data from HomePNA devices in the HomePNA network and report the data via Web GUI, TR-064 and TR-069.
IF.LAN.HomePNA.	6	The RG MUST collect HomePNA network utilization information based on RG utilization and network idle time and report the data via Web GUI, TR-064 and TR-069.
IF.LAN.HomePNA.	7	The RG MUST be able to collect performance monitoring data from at least 10 HomePNA network devices in every HomePNA interface and report the data via Web GUI, TR-064 and TR-069.
IF.LAN.HomePNA.	8	The RG MUST enable provisioning of the specific HomePNA devices from which performance monitoring data will be collected via Web GUI, TR-064 and TR-069.
IF.LAN.HomePNA.	9	Ethernet layer performance data MUST be associated with the individual device's information: <ul style="list-style-type: none"> - HomePNA MAC address - HomePNA station/node ID - Master/endpoint device indication
IF.LAN.HomePNA.	10	Channel performance monitoring data MUST include the following: <ul style="list-style-type: none"> - Channel host source and destination MAC addresses - Channel HomePNA source and destination MAC addresses - Channel HomePNA PHY rate - Channel estimated SNR - Number of packets sent in channel. This parameter MUST be synchronized at both transmitter and receiver ends. - Number of pre-LARQ packets received in channel. This parameter MUST be synchronized at both transmitter and receiver ends for network packet loss calculation purposes.
IF.LAN.HomePNA.	11	Channel performance monitoring data SHOULD include the following: <ul style="list-style-type: none"> - Number of post-LARQ packets received in channel. This parameter MUST be synchronized at both transmitter and receiver ends for network packet loss calculation purposes.

Section	Item	Requirements																																		
IF.LAN.HomePNA.	12	<p>The RG MUST be able to configure and execute full or partial network diagnostics using HomePNA CERT protocol (defined in ITU G.9954) and MUST collect diagnostic results from all HomePNA devices under test. The RG MUST collect the following diagnostics results between any two nodes in the network and report them via Web GUI, TR-064 and TR-069:</p> <ul style="list-style-type: none"> - Baud and PHY rate - SNR - Number of received test packets - Line attenuation 																																		
IF.LAN.HomePNA.	13	<p>The RG MUST be able to read the following configuration parameters from HomePNA devices in the HomePNA network. The device MAY optionally enable provisioning of all parameters or a subset of the configuration parameters to be read from local HPNA devices:</p> <ul style="list-style-type: none"> - Noise margin - Desired PER - MAC address - Device master/endpoint mode - LARQ enabling 																																		
IF.LAN.HomePNA.	14	<p>The RG MUST support at least one of the following spectral modes:</p> <ul style="list-style-type: none"> - Spectral mode A: 4-20MHz – twisted pair/coax - Spectral mode B: 12-28MHz – twisted pair/coax - Spectral mode C: 36-52MHz – coax only - Spectral mode D: 4-36MHz – coax only 																																		
IF.LAN.HomePNA.	15	<p>The RG MAY support more than one HomePNA network operating in different spectral modes on the same or different physical coax cables.</p>																																		
IF.LAN.HomePNA.	16	<p>If xDSL and HomePNA coexist on the RG, the xDSL and HomePNA signals MUST NOT interfere with each other or affect performance in any valid spectrum band plan combinations described in the table below:</p> <table border="1" style="margin-left: auto; margin-right: auto;"> <thead> <tr> <th rowspan="2"></th> <th colspan="2">Band "A"</th> <th colspan="2">Band "B"</th> <th>Band "C"</th> <th>Band "D"</th> </tr> <tr> <th>Phone</th> <th>Coax</th> <th>Phone</th> <th>Coax</th> <th>Coax</th> <th>Coax</th> </tr> </thead> <tbody> <tr> <td>ADSL 1/2/2+</td> <td>Yes</td> <td>Yes</td> <td>Yes</td> <td>Yes</td> <td>Yes</td> <td>Yes</td> </tr> <tr> <td>VDSL2 8x</td> <td>No</td> <td>No</td> <td>Yes</td> <td>Yes</td> <td>Yes</td> <td>No</td> </tr> <tr> <td>VDSL2</td> <td>No</td> <td>No</td> <td>No</td> <td>No</td> <td>Yes</td> <td>No</td> </tr> </tbody> </table>		Band "A"		Band "B"		Band "C"	Band "D"	Phone	Coax	Phone	Coax	Coax	Coax	ADSL 1/2/2+	Yes	Yes	Yes	Yes	Yes	Yes	VDSL2 8x	No	No	Yes	Yes	Yes	No	VDSL2	No	No	No	No	Yes	No
	Band "A"			Band "B"		Band "C"	Band "D"																													
	Phone	Coax	Phone	Coax	Coax	Coax																														
ADSL 1/2/2+	Yes	Yes	Yes	Yes	Yes	Yes																														
VDSL2 8x	No	No	Yes	Yes	Yes	No																														
VDSL2	No	No	No	No	Yes	No																														
IF.LAN.HomePNA.	17	<p>The RG MUST NOT support both HomePNA and xDSL simultaneously on the same physical wire if the xDSL and HomePNA spectrum bands used are not indicated as valid in the HomePNA spectrum compatibility table above.</p>																																		

Section	Item	Requirements
IF.LAN.HomePNA.	18	The RG MUST implement sufficient filtering and isolation so that HomePNA and xDSL interfaces will not interfere with each other's spectrum.
IF.LAN.HomePNA.	19	The RG MUST support layer 2 relative QoS on the HomePNA interface.
IF.LAN.HomePNA.	20	The RG MUST be able to prioritize network traffic based on at least Diffserv code points and IEEE 802.1Q user priorities for relative QoS.
IF.LAN.HomePNA.	21	The RG SHOULD support layer 2 guaranteed QoS on the HomePNA interface.
IF.LAN.HomePNA.	22	The RG SHOULD be able to reserve bandwidth (media access time) on the network for services requesting QoS guarantees so as to meet QoS requirements for throughput (rate), latency and jitter.
IF.LAN.HomePNA.	23	The RG SHOULD enable provisioning of QoS classification filters and traffic specifications in the HomePNA device.
IF.LAN.HomePNA.	24	The RG MUST support classification of LAN directed traffic and placement into appropriate queues on the device side of the HomePNA interface based on any one or more of the following pieces of information: <ul style="list-style-type: none"> - Destination MAC address - Destination IP address(es) with subnet mask - Source IP address(es) with subnet masks - Ethernet type - IP ToS - Protocol type - Source port - Destination port - 802.1Q user priority - VLAN ID
MoCA		MoCA (LAN)
IF.LAN.MoCA.	1	The RG MUST support a MoCA LAN interface compliant with the MoCA Alliance specification. Information regarding the specification is available only to members of the MoCA Alliance, further details can be obtained from the consortium at http://www.mocalliance.org .
IF.LAN.MoCA.	2	The RG MUST present the MoCA LAN link on an F-connector type coaxial connector.
IF.LAN.MoCA.	3	The RG MUST provide a facility to enable or disable the MoCA LAN port via the Web GUI, TR-064 and TR-069.

Section	Item	Requirements
IF.LAN.MoCA.	4	The MoCA LAN port MUST support PER (Packet Error Rate) less than 1E-6 on the MoCA link. Note that PER is the measurement of link layer error. Any additional PER caused by the dropping of packets as a result of the RG saturating the MoCA link is not included in the link layer PER specified in this requirement.
IF.LAN.MoCA.	5	The MoCA LAN port MUST support the following configurable parameters: <ul style="list-style-type: none"> - Channel - Privacy - Security key password (used to generate security keys for the MoCA link). - Manual or auto-selection of Network Coordinator through interfaces such a Web GUI.
IF.LAN.MoCA.	6	The RG default security key password MUST comply with the MoCA specification.
IF.LAN.MoCA.	7	The RG MAY support configuring a custom security key password to meet service provider requirements.
IF.LAN.MoCA.	8	If the MoCA LAN port can operate on more than one channel the RG MUST support manual channel selection in the Web GUI or via TR-069. The frequency range for MoCA LAN port spans from 850MHz to 1.5GHz and each MoCA LAN channel covers a 50MHz band.
IF.LAN.MoCA.	9	The power control function of a MoCA LAN port MUST comply with the following requirements: <ul style="list-style-type: none"> - The adjustable range of output power MUST be at least 25db - The target PHY rate is the maximum rate that a MoCA link should support. - If the measured PHY rate is less than the Target PHY rate, it MUST be within 30Mbps of the target PHY rate unless the output power is already at maximum. - The measured PHY rate MAY be greater than the target PHY rate.
IF.LAN.MoCA.	10	The MoCA LAN network MUST support the following sustained aggregate MAC throughput with PER < 1E-6 with 50db attenuation (measured aggregate MAC throughput is based on 1500 byte packets and independent of the traffic pattern): <ul style="list-style-type: none"> - 125Mbps with 2 MoCA devices in the network - 117.5Mbps with 3 MoCA devices in the network - 110.5Mbps with 4 MoCA devices in the network - 103.8Mbps with 5 MoCA devices in the network - 98Mbps with 6 and above MoCA devices in the network.

Section	Item	Requirements
IF.LAN.MoCA.	11	The device to device ping reply time (round trip) across two MoCA devices on the same RF channel MUST be within 7ms on average and 10ms maximum.
IF.LAN.MoCA.	12	The RG MUST reach optimal MoCA link layer capacity within 5 minutes after power up.
IF.LAN.MoCA.	13	The RG SHOULD reach optimal MoCA link layer capacity within 3 minutes after power up.
IF.LAN.MoCA.	14	The RG MUST support sending/receiving packet to/from at least 64 MAC addresses on the MoCA interface.
IF.LAN.MoCA.	15	The RG MUST support MoCA interface statistics collection, parameter provisioning, and diagnostic results display via the Web GUI, TR-064 and TR-069.
IF.LAN.MoCA.	16	The RG SHOULD be able to reserve bandwidth (media access time) on the network for services requesting QoS guarantees so as to meet QoS requirements for throughput (rate), latency and jitter.
HomePlugAV		HomePlug AV (LAN)
IF.LAN.HomePlugAV .	1	The RG MUST comply with the HomePlug AV Specification. The specification is available only to members of the HomePlug Powerline Alliance; and is accessible through http://www.homeplug.org .
IF.LAN.HomePlugAV .	2	The RG MUST support one of the following connector options for HomePlug: <ul style="list-style-type: none"> a) Powerline b) F-connector type coaxial connector (note this is not formally an option with HomePlug alliance but is supported by vendor implementations) c) Both a & b hybrid configuration using coaxial or simultaneous mode by switch or relay
IF.LAN.HomePlugAV .	3	If option c) is supported in IF.LAN.HomePlugAV.2, the HomePlug interface connector type MUST be configurable and persistent across RG restarts and reboots. This parameter MUST be independent of the configuration settings that may be in use by other HomePlug devices on the local LAN.
IF.LAN.HomePlugAV .	4	The RG MUST periodically collect Ethernet layer and channel performance data from HomePlug devices in the HomePlug network and report the data via Web GUI, TR-064 or TR-069.
IF.LAN.HomePlugAV .	5	Ethernet layer performance data MUST be associated with the individual device's information: <ul style="list-style-type: none"> - HomePlug device MAC address

Section	Item	Requirements
IF.LAN.HomePlugAV .	6	The RG MUST collect HomePlug network utilization information based on RG utilization and network idle time and report the data via Web GUI, TR-064 or TR-069.
IF.LAN.HomePlugAV .	7	The RG MUST support configuring a custom security key password.
IF.LAN.HomePlugAV .	8	The RG MUST be able to collect performance monitoring data from other devices on the powerline network and report the data via Web GUI, TR-064 or TR-069.
IF.LAN.HomePlugAV .	9	The RG MUST enable provisioning of the specific HomePlug device from which performance monitoring data will be collected via Web GUI, TR-064 or TR-069.
IF.LAN.HomePlugAV .	10	The RG MUST implement sufficient filtering and isolation so that the HomePlug and xDSL interfaces, and the HomePlug and Ethernet interfaces will not interfere with each other.
IF.LAN.HomePlugAV .	11	The RG MUST support layer 2 relative QoS on the HomePlug interface.
IF.LAN.HomePlugAV .	12	The RG MUST be able to prioritize network traffic based on at least Diffserv code points and IEEE 802.1Q user priorities for relative QoS.
IF.LAN.HomePlugAV .	13	The RG SHOULD support layer 2 guaranteed QoS on the HomePlug interface.
IF.LAN.HomePlugAV .	14	The RG SHOULD be able to reserve bandwidth (media access time) on the network for services requesting QoS guarantees so as to meet QoS requirements for throughput (rate), latency and jitter.
IF.LAN.HomePlugAV .	15	The RG SHOULD enable provisioning of QoS classification filters and traffic specifications in the HomePlug device.
IF.LAN.HomePlugAV .	16	The RG MUST implement the simple connect functionality of section 13.2.4 of the HomeplugAV specification.
HomePlugAV2		HomePlug AV2 (LAN)
IF.LAN.HomePlugAV 2.	1	The RG MUST comply with the HomePlug AV2 Specification [182]. Information regarding the specification is available only to members of the HomePlug Powerline Alliance; further details can be obtained from the alliance at http://www.homeplug.org .

Section	Item	Requirements
IF.LAN.HomePlugAV 2.	2	The RG MUST support one of the following connector options for HomePlug: <ol style="list-style-type: none"> a) Powerline b) F-connector type coaxial connector (note this is not formally an option with HomePlug alliance but is supported by vendor implementations) c) Both a & b hybrid configuration using coaxial or simultaneous mode by switch or relay
IF.LAN.HomePlugAV 2.	3	If option c) is supported in IF.LAN.HomePlugAV2.2, the HomePlug interface connector type MUST be configurable and persistent across RG restarts and reboots. This parameter MUST be independent of the configuration settings that may be in use by other HomePlug devices on the local LAN.
IF.LAN.HomePlugAV 2.	4	The RG MUST periodically collect Ethernet layer and channel performance data from HomePlug devices in the HomePlug network and report the data via Web GUI, TR-064 or TR-069.
IF.LAN.HomePlugAV 2.	5	Ethernet layer performance data MUST be associated with the individual device's information: <ul style="list-style-type: none"> - HomePlug device MAC address
IF.LAN.HomePlugAV 2.	6	The RG MUST collect HomePlug network utilization information based on RG utilization and network idle time and report the data via Web GUI, TR-064 or TR-069.
IF.LAN.HomePlugAV 2.	7	The RG MUST support configuring a custom Security Key Password.
IF.LAN.HomePlugAV 2.	8	The RG MUST be able to collect performance monitoring data from other devices on the powerline network and report the data via Web GUI, TR-064 or TR-069.
IF.LAN.HomePlugAV 2.	9	The RG MUST enable provisioning of the specific HomePlug device from which performance monitoring data will be collected via Web GUI, TR-064 or TR-069.
IF.LAN.HomePlugAV 2.	10	The RG MUST implement sufficient filtering and isolation so that the HomePlug and xDSL interfaces, and the HomePlug and Ethernet interfaces will not interfere with each other.
IF.LAN.HomePlugAV 2.	11	The RG MUST support layer 2 relative QoS on the HomePlug interface.
IF.LAN.HomePlugAV 2.	12	The RG MUST be able to prioritize network traffic based on at least Diffserv code points and IEEE 802.1Q user priorities for relative QoS.
IF.LAN.HomePlugAV 2.	13	The RG SHOULD support layer 2 guaranteed QoS on the HomePlug interface.

Section	Item	Requirements
IF.LAN.HomePlugAV 2.	14	The RG SHOULD be able to reserve bandwidth (media access time) on the network for services requesting QoS guarantees so as to meet QoS requirements for throughput (rate), latency and jitter.
IF.LAN.HomePlugAV 2.	15	The RG SHOULD enable provisioning of QoS classification filters and traffic specifications in the HomePlug device.
IF.LAN.HomePlugAV 2.	16	The RG MUST implement the simple connect functionality of section 13.2.4 of the HomeplugAV2 specification.
Ghn		G.hn (LAN)
IF.LAN.Ghn	1	The RG MUST comply with ITU-T Recommendations G.9960, G.9961 and G.9964.
IF.LAN.Ghn	2	The RG must support at least one of the following connector options for G.hn: <ul style="list-style-type: none"> a) F-connector coaxial interface b) Modular RJ-11 style phone interface (optionally RJ-14 or RJ-45) c) Powerline
IF.LAN.Ghn	3	The G.hn interface type (coax, powerline or twisted pair) MUST be configurable and persistent across RG restarts and reboots. The G.hn interface parameters configuration MUST be supported through the Web GUI, UPnP (if present) and TR-069.
IF.LAN.Ghn	4	The RG MUST support the enabling/disabling of each G.hn interface. The default MUST be enabled or use an operator-specific configuration.
IF.LAN.Ghn	5	The RG MUST periodically collect G.hn Ethernet layer and channel performance data and report this data via Web GUI, UPnP (if present) and TR-069.
IF.LAN.Ghn	6	The RG MUST be able to provide physical media performance data related to at least 10 associated G.hn network devices on every G.hn interface and report this data via Web GUI, UPnP (if present) and TR-069.
IF.LAN.Ghn	7	The RG MUST implement sufficient filtering and isolation to the G.hn and any other wireline interfaces to prevent interference. E.g. if the RG supports both xDSL and G.hn, it MUST implement sufficient filtering and isolation between G.hn and xDSL to avoid interfering with each other's spectrum.
IF.LAN.Ghn	8	The RG MUST be able to prioritize downstream network traffic based on IEEE 802.1Q user priorities for relative QoS by supporting at least 2 egress priority queues on every G.hn port.

Section	Item	Requirements
IF.LAN.Ghn	9	The RG SHOULD be able to reserve bandwidth (media access time) on the G.hn network for services requesting QoS guarantees so as to meet QoS requirements for throughput (rate), latency and jitter, as described in clause 8.6.2 of ITU-T G.9961.
IF.LAN.Ghn	10	The RG SHOULD enable provisioning of QoS classification filters and traffic specifications in the G.hn device, as specified in clause 8.6.2.3.1 of ITU-T G.9961.
IF.LAN.Ghn	11	The RG MUST support configuring a custom network security key password to meet service provider requirements, as defined in clause 9.0 of ITU-T G.9961.

REGIONAL Regional Annexes

NA.POWER North American Power and Environmental

REGIONAL.NA.POWER	1	The RG MUST be UL 60950 listed.															
REGIONAL.NA.POWER	2	The RG MUST display proof of CSA (Canadian Standards Association) or ULC (Underwriters Laboratories Canada) certification for CAN/CSA C22.2 No. 60950. This is the Canadian equivalent to, and is identical to, UL 60950.															
REGIONAL.NA.POWER	3	The RG MUST meet all requirements when operating with the following line voltages: Brownout: 96 to 127 Vac @ 60 +/- 0.1 Hz Reserve: 105 to 129 Vac @ 60 +/- 3.0 Hz															
REGIONAL.NA.POWER	4	If the power supply is external to the RG, it MUST be UL 1310 or UL 60950 listed and certified.															
REGIONAL.NA.POWER	5	The RG MUST comply with FCC Part 15 rules for Class B devices.															
REGIONAL.NA.POWER	6	The RG MUST comply with Industry Canada ICES-003 Class B requirements.															
REGIONAL.NA.POWER	7	The RG MUST comply with the requirements of Telcordia® GR-1089-CORE, Electromagnetic Compatibility and Electrical Safety – Generic Criteria for Network Telecommunications Equipment. Class A3 source voltages are not permitted.															
REGIONAL.NA.POWER	8	The RG MUST support the following environmental conditions:															
		<table border="1"> <thead> <tr> <th>Environment</th> <th>Temperature</th> <th>Altitude</th> <th>Relative Humidity</th> <th>MWB</th> </tr> </thead> <tbody> <tr> <td>Operating System</td> <td>0o C to 40°C</td> <td>-60 to 2134 m (-197 to 7000 ft)</td> <td>8% to 95% non-condensing</td> <td>23°C</td> </tr> <tr> <td>Ambient Shipping</td> <td>-25°C to 65°C</td> <td></td> <td>Low humidity for low temperatures, 90% at 45°C, 30% at 65°C</td> <td>29 °C</td> </tr> </tbody> </table>	Environment	Temperature	Altitude	Relative Humidity	MWB	Operating System	0o C to 40°C	-60 to 2134 m (-197 to 7000 ft)	8% to 95% non-condensing	23°C	Ambient Shipping	-25°C to 65°C		Low humidity for low temperatures, 90% at 45°C, 30% at 65°C	29 °C
Environment	Temperature	Altitude	Relative Humidity	MWB													
Operating System	0o C to 40°C	-60 to 2134 m (-197 to 7000 ft)	8% to 95% non-condensing	23°C													
Ambient Shipping	-25°C to 65°C		Low humidity for low temperatures, 90% at 45°C, 30% at 65°C	29 °C													

Section	Item	Requirements
NA.LED		North American LED Indicators
REGIONAL.NA.LED.	1	The RG MUST have at a minimum the following indicator lights (labeling of all ports is subject to localized requirements): Power Ethernet Broadband Internet
REGIONAL.NA.LED.	2	All physical ports and bridged connection types on the RG (e.g. Ethernet, USB, Wireless, HomePlug, G.hn, HomePNA, 1394, etc...) MUST have a link integrity indicator lamp on the RG (1 per port if a separate physical port is present or per connection type if a separate port is not present).
REGIONAL.NA.LED.	3	The indicator lights MUST be in the order as indicated in requirement REGIONAL.NA.LED.1 in a left to right or top to bottom orientation.
REGIONAL.NA.LED.	4	Port indicator lights for all additional LAN Interfaces (beyond the standard Ethernet indicator) MUST be placed between the "Ethernet" and "Broadband" lights defined in requirement REGIONAL.NA.LED.1 (note that labeling of all ports is subject to localized requirements).
REGIONAL.NA.LED.	5	All port indicator lights MUST be located on the front of the RG unless summary indicator lights are used.
REGIONAL.NA.LED.	6	Physical port indicator lights MAY be located next to the port and other than on the front of the RG, so long as there is a summary indicator light for the associated interface type with the other port indicator lights on the front of the unit. For example, there may be Ethernet port indicator lights located on the back of the RG by each Ethernet connection as long as there is a summary indicator for the Ethernet connections on the front of the RG in the standard location.
REGIONAL.NA.LED.	7	The indicator lights MUST be readily visible (99% human observer detection in less than 250 milliseconds) at 4 meters with an ambient illumination level of 5920 meter-candles. Visibility MUST be maintained over a horizontal viewing angle of +/- 80 degrees and a vertical viewing angle of -20 to +45 degrees off the central axis.
REGIONAL.NA.LED.	8	When flashing, the indicator lights MUST flash at 4 Hz with a duty cycle of 50% (except as specified otherwise in this document).

Section	Item	Requirements
REGIONAL.NA.LED.	9	<p>The RG MUST have an On/Off power indicator light. The power indicator MUST function as follows:</p> <p>Solid Green = Power on Off = Power off Red = POST (power on self test) failure (not bootable) or RG malfunction. A malfunction is any error of internal sequence or state that will prevent the RG from connecting to the access network or passing customer data. This may be identified at various times such after power on or during operation through the use of self testing or in operations that result in a unit state that is not expected or should not occur.</p>
REGIONAL.NA.LED.	10	<p>The RG MUST have an indicator light that indicates broadband interface layer connectivity. This indicator MUST function as follows:</p> <p>Solid green = Broadband physical connection is established (e.g. DSL sync) Off = Broadband interface powered off, no signal detected Flashing green = Signal detected, in process of synchronizing</p> <ul style="list-style-type: none"> Flashing at 2 Hz with a 50% duty cycle when trying to detect carrier signal Flashing at 4 Hz with a 50% duty cycle when the carrier has been detected and trying to train
REGIONAL.NA.LED.	11	<p>If additional broadband interfaces (2 or more) are supported that operate simultaneously with the primary broadband link (e.g. xDSL bonding, Ethernet simultaneous with xDSL, etc.), the RG MUST support a broadband light to indicate the status of each link. The behavior for this indicator MUST follow the requirements described in REGIONAL.NA.LED.10.</p>

Section	Item	Requirements
REGIONAL.NA.LED.	12	<p>The RG MUST have an Internet indicator light that indicates whether or not it has at least one broadband WAN interface active. This indicator MUST function as follows:</p> <p>Solid green = IP connected (the RG has a WAN IP address from IPCP/DHCP/static and broadband link is up) and no traffic detected. If the IP or PPPoE session is dropped due to an idle timeout, the light will remain green if an ADSL connection is still present. If the session is dropped for any other reason, the light is turned off. The light will turn red when it attempts to reconnect and DHCP or PPPoE fails.</p> <p>Off = Broadband physical connection power off, RG in bridged mode with no IP address assigned to the RG, or broadband physical interface connection not present</p> <p>Flickering green = IP connected and IP traffic is passing thru the RG (either direction)</p> <p>Red = RG attempted to become IP connected and failed (no 802.1X, DHCP, PPPoE, PPPoA response or authentication failure, etc.)</p>
REGIONAL.NA.LED.	13	<p>A LAN interface physical port indicator light MUST function as follows:</p> <p>Solid green = Powered device connected to the associated port (includes devices with wake-on-LAN capability where a slight voltage is supplied to an Ethernet connection)</p> <p>Flickering green = LAN activity present (traffic in either direction)</p> <p>Off = No activity, RG power off, no cable or no powered device connected to the associated port.</p>
REGIONAL.NA.LED.	14	<p>If the RG supports the Wi-Fi protected setup (WPS) pushbutton configuration (PBC) method (IF.WAN.WIRELESS.AP.11), the RG SHOULD have a two-color LED to display the status of WPS PBC. The operation of this LED SHOULD be as follows:</p>

Section	Item	Requirements	
WLAN WPS PBC	Green	On for 5min or until pressed again	The Wi-Fi protected setup (WPS, previously called “simple config”) has been completed successfully.
	Green	Slow flash: 2 Hz 50% duty cycle	The Wi-Fi protected setup PBC procedure is in progress.
	Red	Solid	Error unrelated to security, such as failed to find any partner, or protocol prematurely aborted. Recommended user action: press WPS button to start protocol again.
	Red	Fast flash: 4 Hz 50% duty cycle	Session overlap detected (possible security risk) Recommended user action: Wait for 2 minutes, then press WPS button again to reattempt. If the condition recurs, refer the user to PIN-based configuration method.
	Off		The device is ready for another authentication.

Note: This is a deviation from the three color indicator option and behaviors described by the Wi-Fi Alliance, which however, will not enforce any LED behavior as part of its WPS certification process.

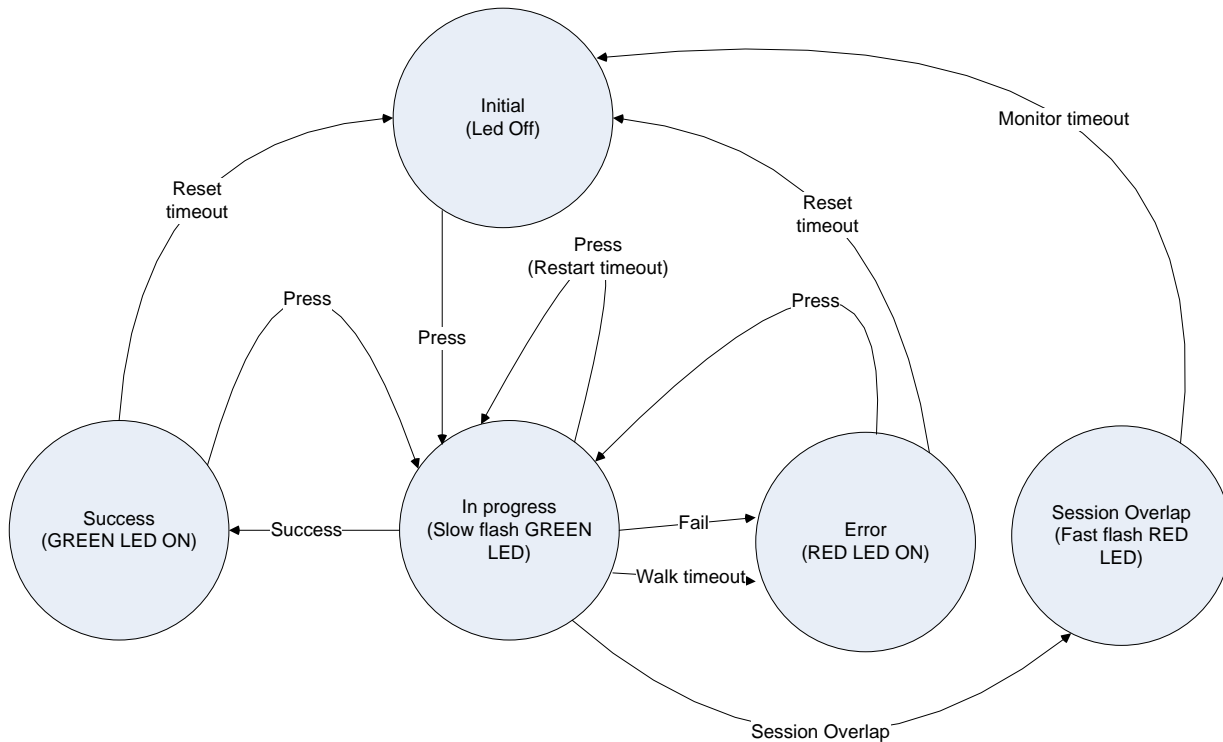


Figure 1 – WPS pushbutton method state machine

Section	Item	Requirements
		Timeout values are listed below: Reset timeout – 300 seconds Restart timeout – 120 seconds Walk timeout – 120 seconds Monitor timeout – 120 seconds
REGIONAL.NA.LED.	15	The indicator for Wi-Fi protected setup pushbutton method, if present, MUST be located within close proximity to the pushbutton or next to the Wireless status indicator.

Annex A IPv6 Flow Diagrams

The flows in this annex are referenced by requirements in the body, and are therefore normative.

A.1 WAN PPPoE Automated Connection Flow

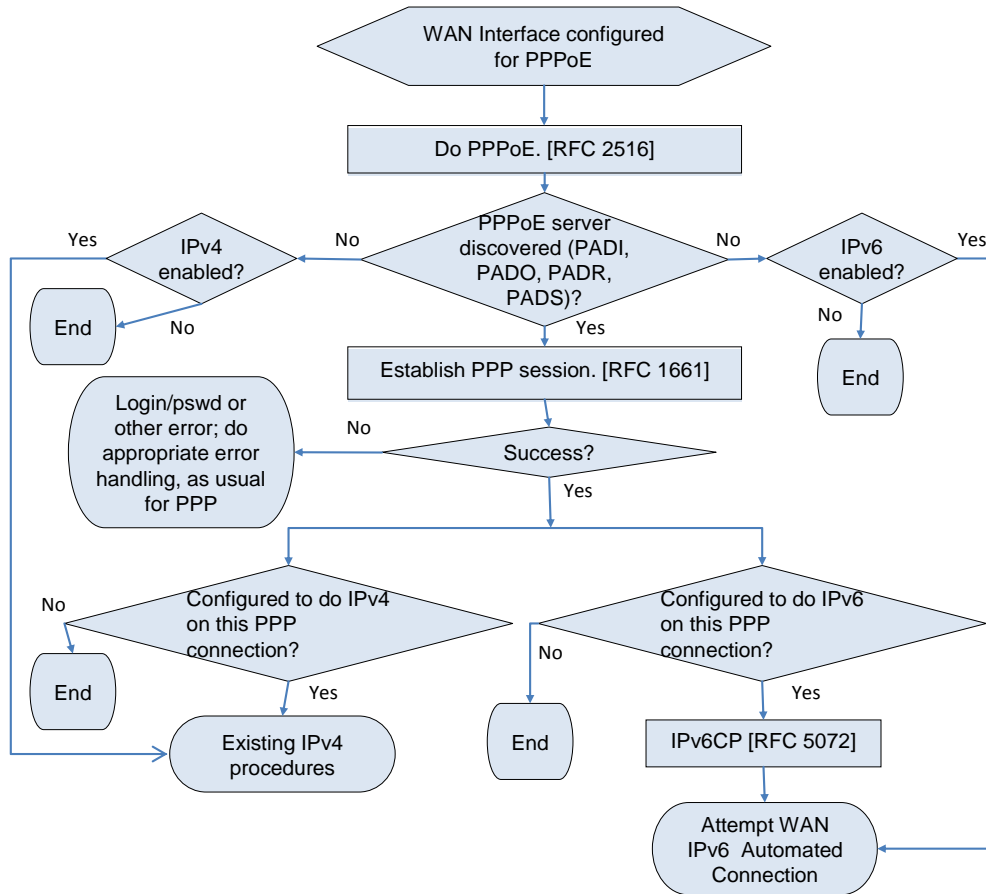


Figure 2 – WAN PPPoE automated connection flow

A.2 WAN IPv6 Automated Connection Flow

This flow assumes no manually configured prefix or address.

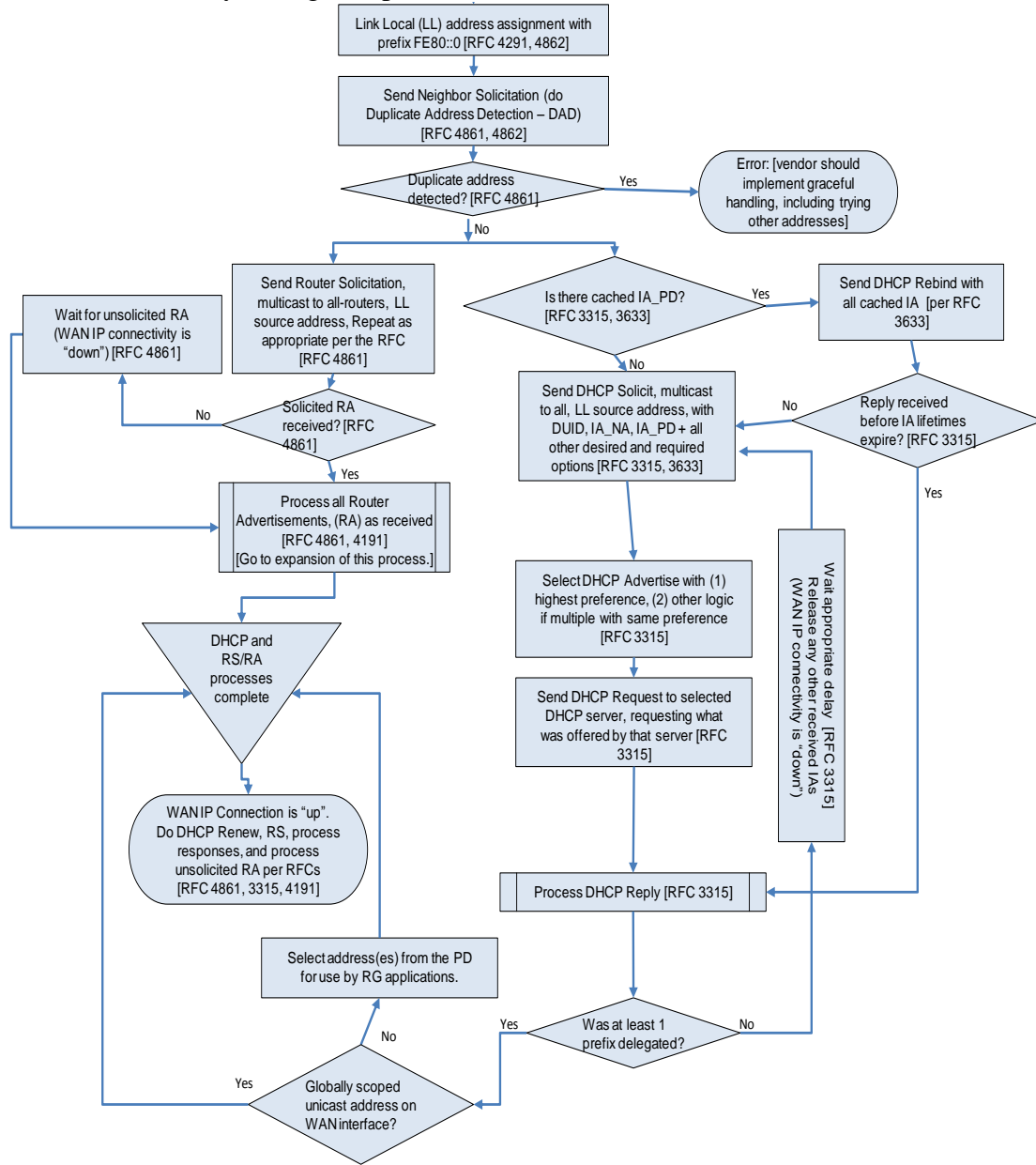


Figure 3 – WAN IPv6 automated connection flow

A.3 Receive Router Advertisement Subroutine Flow

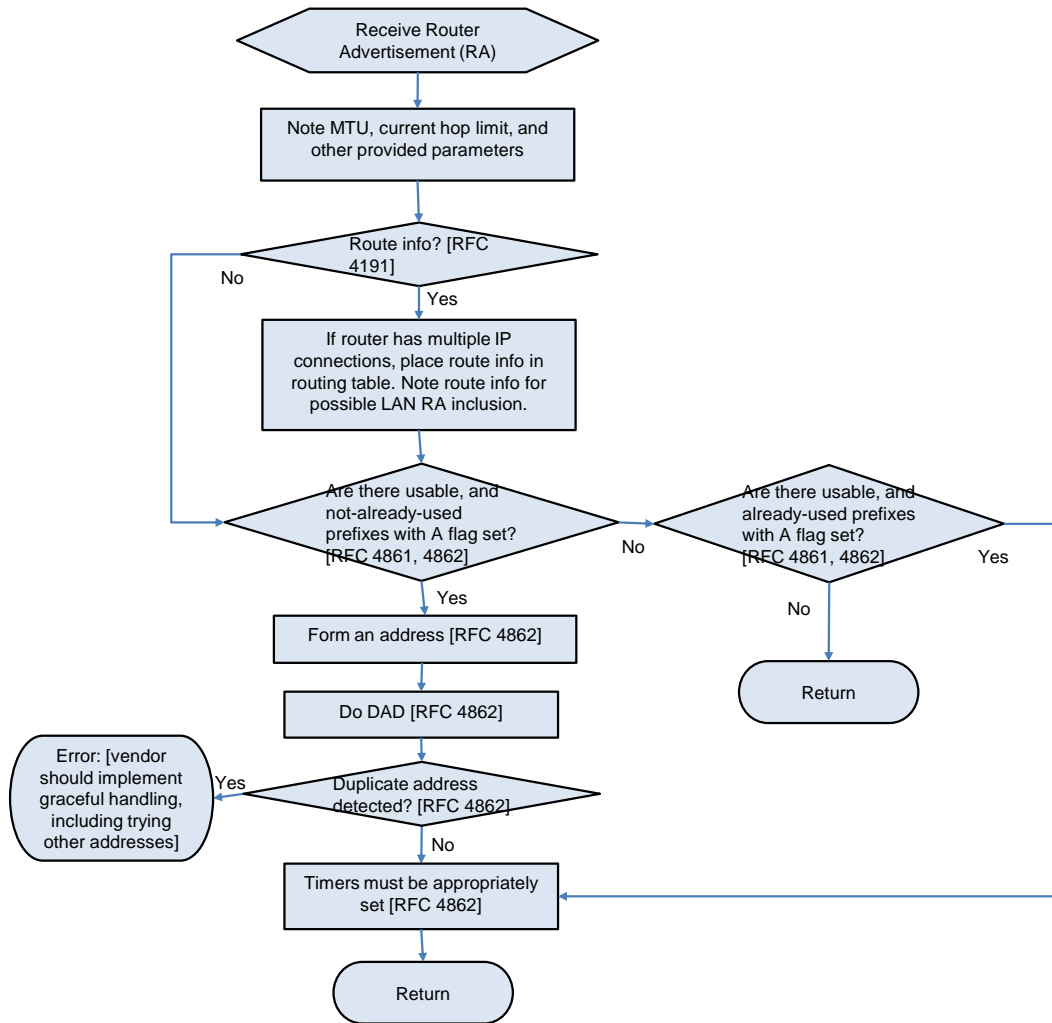


Figure 4 – Receive router advertisement subroutine flow

APPENDIX I Application Level Gateway (ALG) and Port Forwarding List

This appendix is a partial list of applications and protocols that should work through the usage of predefined port forwarding configurations and ALGs. It is not a comprehensive list of all applications. It is expected that support for more applications will be needed with time.

A

Active Worlds, Age of Empires, Age of Kings, Age of Wonders, Aliens vs. Predator, America Online, Anarchy Online, AOL Instant Messenger, Asheron's Call, Audiogalaxy Satellite

B

Baldur's Gate, BattleCom, Battlefield communicator, Black and White, Buddy Phone

C

Calista IP Phone, Camerades, CarbonCopy32 host, Citrix Metaframe / ICA Client, Counter Strike, CU-SeeMe

D

Dark Reign, Dark Reign 2, Decent 3, Decent Freespace, Deerfield MDAemon EMail Server, Delta Force, Delta Force 2, Delta Force: Land Warrior, Delta Three PC to Phone, Descent 3, Descent Freespace, Diablo (1.07+), Diablo I, Diablo II (Blizzard Battle.net), Dialpad, Direct Connect, DirectX Games, DNS Server, Doom, Doom Server, Drakan, Dwyco Video Conferencing

E

Elite Force, Everquest

F

F-16, Mig 29, F-22, Lightning 3, F-22 Raptor, F-22 Raptor (Novalogic), Falcon 4.0, Fighter Ace II, Fighter Ace II for DX play, FlightSim98, FreeTel, FTP Client, FTP Server, FW1VPN

G

GameSpy Online, Ghost Recon, GNUtella, Go2Call

H

H.323, Half Life, Half Life Server, Heretic II Server, Hexen II, HomeWorld, Hotline Client, Hotline Server, HTTP Server, HTTPS Server

I

I'76, ICMP Echo, ICQ Old, ICQ 2001b, ICUII Client, ICUII Client Version 4.xx, iGames, IMAP Client, IMAP Client v.3, IMAP server, Internet Phone, Internet Phone Addressing Server, iPhone, IPsec Encryption, IPsec ESP, IPsec IKE, IRC, IStreamVideo2HP, Ivisit

K

Kali, Doom & Doom II, KaZaA, Kohan Immortal Sovereigns

L

L2TP, LapLink Gold, LapLink HOst, Limewire, LIVvE, LocationFree®, Lotus Notes Server

M

MechWarrior 3, Medal of Honor: Allied Assault, Microsoft DirectPlay, Midtown Madness, mIRC DCC, IRC DCC, mIRC Chat, mIRC IDENT, Monopoly Host, Motocross Madness, Motorhead

Server, MPlayer Games Network, MSN Game Zone, MSN Game Zone (DX 7 & 8 play), MSN Messenger, Myth (Bungie.net, Myth II)

N

Napster, Need for Speed 3, Hot Pursuit, Need for Speed 5, Porsche, Net2Phone, NetMech, NetMeeting, Default PC, NNTP Server, Nox, ntald Traditional Unix Talk Daemon, NTP

O

OKWeb, OKWin, Operation FlashPoint, Outlaws

P

Pal Talk, pcAnywhere v7.5, pcAnywhere host, pcAnywhere remote, PCTelecommute, Phone Free, POP Client, POP3 Server, Polycom ViaVideo H.323, PPTP

Q

Quake 2, Quake 3, Quake 3 Server, QuickTime Server, QuickTime/Real Audio Client, QuakeWord,

R

Rainbow Six, RAdmin, RDP, RealAudio, Red Alert, Remote Anything, Remote Desktop 32, Remotely AnyWhere, Remotely Possible Server, Return to Castle Wolfenstein, Rise of Rome, Rlogin/Rcp, Roger Wilco, Rogue Spear, RTSP

S

Scour Media, SDP, Shiva VPN, Shout Cast Server, SIP, Slingbox, SMTP Server, Soldier of Fortune, Speak Freely, SQL*NET Tools, SSH Secure Shell, SSH Server, StarCraft, Starfleet Command, Starsiege: Tribes, SWAT3

T

Telnet Server, The 4th Coming, Tiberian Sun: Command & Conquer III (& Dune 2000) , Timbuktu Pro, Total Annihilation

U

Ultima Online, Unreal Server, Unreal Tournament, USENET News Service

V

VNC, Virtual Network Computing, VDO Video, VoxChat, VoxPhone 3.0

W

Warbirds 2, Webcam (TrueTech), Webcam32, Webforce Compcore MPEG-1 Player2.0, Web Server, WebPhone 3.0, Westwood Online, C&C, Windows 2000 Terminal Server

X

X Windows, XP Remote Desktop

Y

Yahoo Messenger Chat, Yahoo Pager, Yahoo Messenger Phone

Z

ZNES

APPENDIX II Example Queuing and Scheduling for an RG

This section presents the queuing and scheduling discipline envisioned for upstream traffic through the RG in support of future service offerings delivered over the architecture described in TR-059.

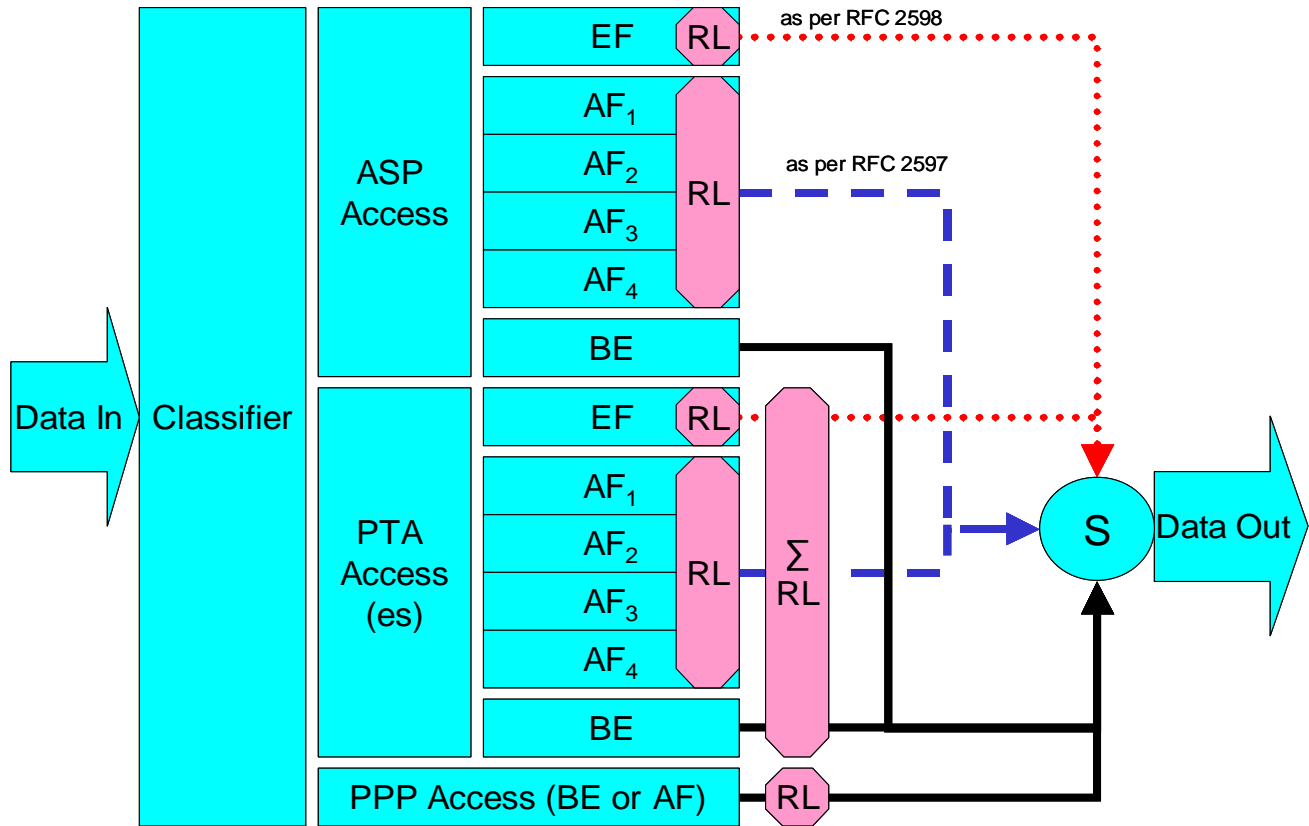


Figure 5 – Upstream Queuing and Scheduling Example for RG

In Figure 5, the following abbreviations apply:

- ASP – Application service provider
- PTA – PPP terminated aggregation
- PPP – Point-to-point protocol
- EF – Expedited forwarding – as defined in IETF RFC 3246
- AF – Assured forwarding – as defined in IETF RFC 2597
- BE – Best effort forwarding
- RL – Rate limiter
- ΣRL – Summing rate limiter (limits multiple flows)
- S – Scheduler

Multiple access sessions are supported in this model. However, all traffic is classified and scheduled in a monolithic system. So, while it might appear at first that the Diffserv queuing and scheduling might apply only to IP-aware access, in fact all access, IP, Ethernet, or PPP is managed by the same system that adheres to the Diffserv model.

For example, at the bottom of Figure 5, BE (best effort) treatment is given to the non-IP-aware access sessions (PPPoE started behind the RG or delivered to an L2TP tunnel delivery model). This queue might be repeated several times in order to support fairness among multiple PPPoE accesses, or it might be a monolithic queue with separate rate limiters applied to the various access sessions.

The PTA access is a single block of queues. This is done because NSP access typically works with a single default route to the NSP, and managing more than one simultaneously at the RG would be perilous. The Σ rate limiter would limit the overall access traffic for a service provider.

Rate limiters are also shown within the EF and AF service classes because the definition of those diffserv types is based on treating the traffic differently when it falls into various rates.

Finally, at the top of the diagram is the ASP access block of queues. In phase 1A of the TR-059 architecture, these queues are provisioned and provide aggregate treatment of traffic mapped to them. In phase 1B, it will become possible to assign AF queues to applications to give them specific treatment instead of aggregate treatment. The EF service class may also require a high degree of coordination among the applications that make use of it so that its maximum value is not exceeded.

Notable in this architecture is that all the outputs of the EF, AF, and BE queues are sent to a scheduler (S) that pulls traffic from them in a strict priority fashion. In this configuration EF traffic is, obviously, given highest precedence and BE is given the lowest. The AF service classes fall in between.

Note that there is significant interest in being able to provide a service arrangement that would allow general Internet access to have priority over other (bulk rate) services.¹ Such an arrangement would be accomplished by assigning the bulk rate service class to BE and by assigning the default service class (Internet access) as AF with little or no committed information rate.

Given this arrangement, the precedence of traffic shown in the figure is arranged as:

- EF – red dotted line
- AF – blue dashed line (with various precedence among AF classes as described in IETF RFC 2597)
- BE – black solid line

¹ This “bulk rate” service class would typically be used for background downloads and potentially for peer-to-peer applications as an alternative to blocking them entirely.

APPENDIX III Routed Architecture – Examples of Potential Configurations

III.1 Introduction

The pictures and descriptions in the following scenarios are intended to provide examples of the interworking of many of the requirements in this document.

Since the single PC case is a simple subset of the multi-PC case (except when explicitly using the single PC mode of operation (LAN.DHCPS.19)), it will not be directly addressed. The network used in this sequence of examples has 5 PCs, which are described as being connected over Ethernet. For purposes of these scenarios, neither the physical network nor the nature of the attached devices is significant.

III.2 Basic RG as Router Initiating One or More PPPoE Sessions

The four scenarios that follow build on one another to describe a number of the capabilities required in this document. They show PPPoE being used in all cases for WAN connectivity, with the embedded DHCP server in the RG enabled.

III.2.1 No WAN Connection

- The router has no WAN connection up.
- The router has been configured to give PC2 its WAN address via its embedded DHCP server. Since the router has no WAN connection, it will give PC2 a private address with a 10 minute lease time (as defined in LAN.DHCPS.12).
- PC5 has been configured with a static IP address.
- PCs 1-4 are configured to make DHCP requests. The router responds to all DHCP requests with IP addresses in the range of 192.168.1.64 to 192.168.1.253 (LAN.DHCPS.8), an IP gateway address (and LAN-side address of the device) of 192.168.1.254 (LAN.DHCPS.14), a DNS server address of 192.168.1.254 (LAN.DNS.1) and an IP address lease time for all PCs but PC2 of 24 hours (LAN.DHCPS.11).

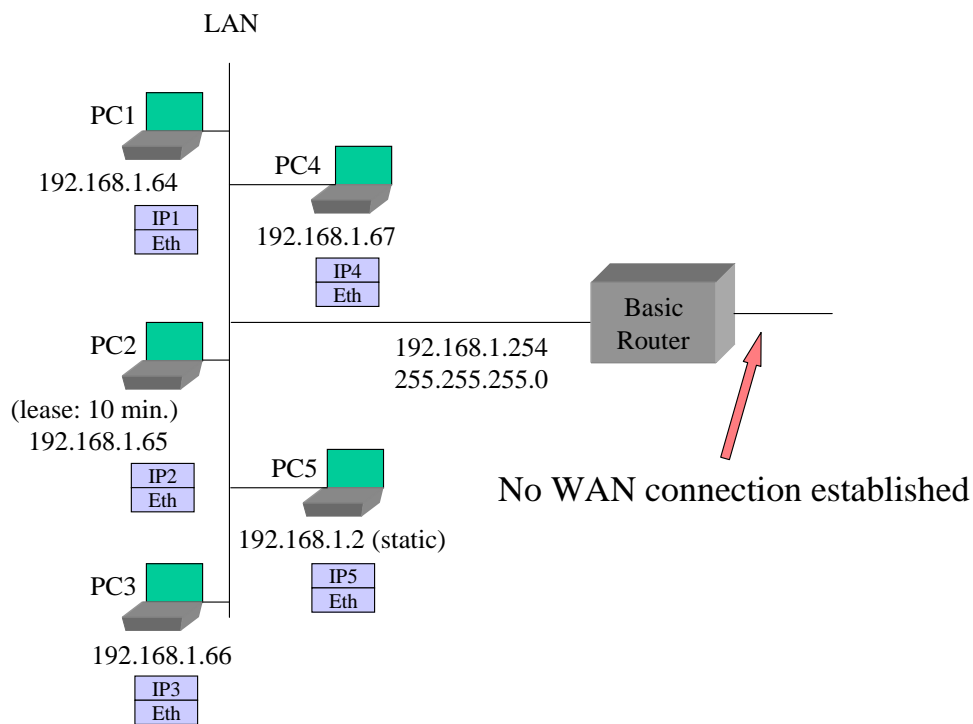


Figure 6 – Example: No WAN Connection Configuration

III.2.2 Router Sets Up PPPoE to an ISP

This scenario is the same as presented in the “No WAN Connection” example above with the following exceptions:

- The router sets up a PPPoE session to ISP – it obtains an IP address and DNS server addresses via IPCP (WAN.PPP.1)
- The router gives its public IP address to PC2 (LAN.DHCP.18) when PC2’s lease expires.
- The router is configured to allow PC2 to communicate with other devices on the LAN (LAN.ADDRESS.8).

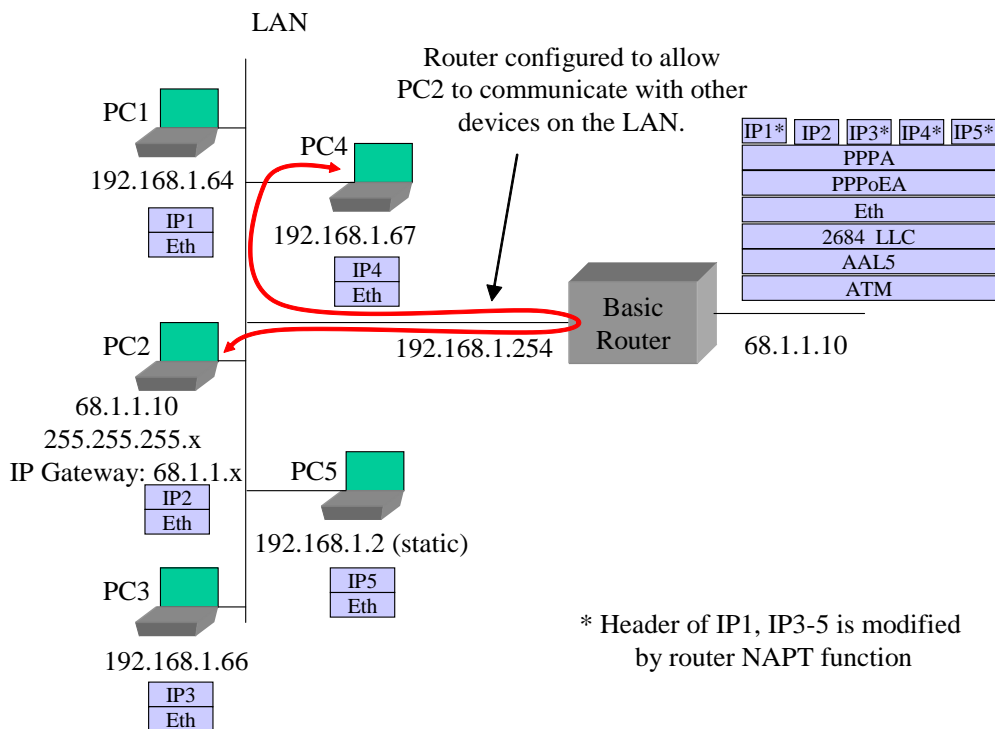


Figure 7 – Example: Router Sets Up PPPoE to an ISP

III.2.3 PC3 Sets Up Its Own PPPoE Session

This scenario is the same as presented in III.2.1 with the following exceptions:

- PC3 uses a PPPoE client to establish its own PPPoE session. While the private IP address from the router is still associated with PC3’s Ethernet interface, PC3 also has a public IP address associated with its own PPPoE interface. Common behavior is for all IP traffic of PC3 to now use this PPPoE interface (WAN.PPP.10, LAN.FWD.5).

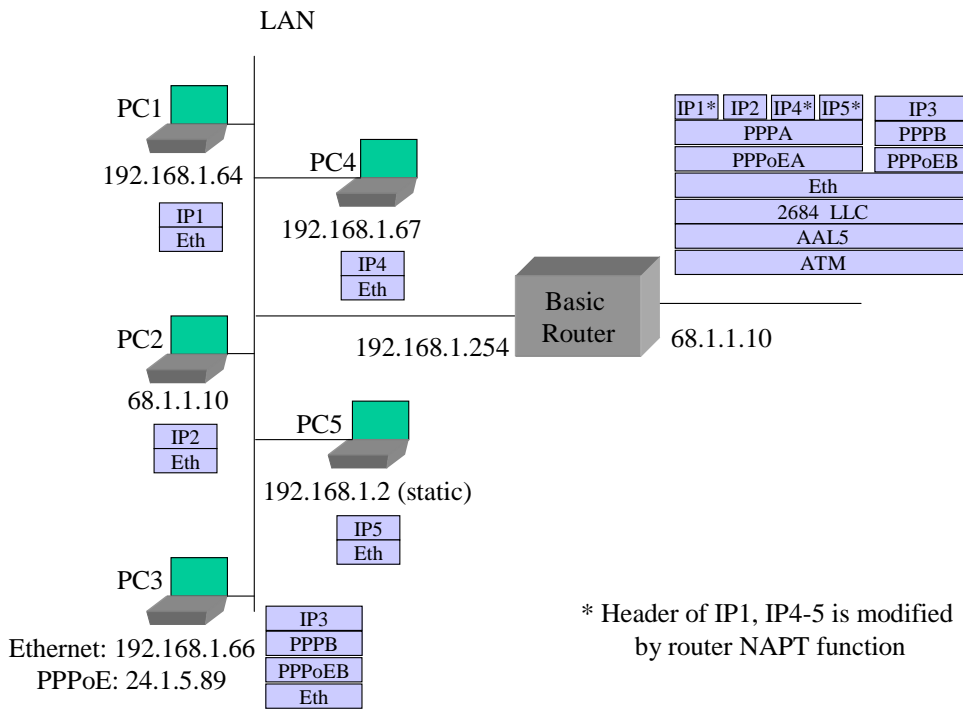


Figure 8 – Example: PC3 sets up its own PPPoE Session

III.2.4 Router Sets Up a Second PPPoE Session

This scenario is the same as presented in III.2.1 with the following exceptions:

- The router sets up second PPPoE session (PPPoEC). It gets an IP address and DNS addresses through IPCP. It gets routing information from RIP-2 (LAN.FWD.15), manual entry, or other mechanisms (LAN.FWD.8). PPPoEA remains the default route (LAN.FWD.20).
- PC5 requests a DNS lookup for a URL. The router sends simultaneous URL lookup requests to DNS servers on both PPPoE connections. The DNS server on the PPPoEA connection fails to resolve the URL and the PPPoEC connection returns an IP address. The router returns the IP address to PC5 (LAN.DNS.3).
- PC5 sends IP packets to the returned IP address. The router determines from its routing table that this goes to the PPPoEC connection.

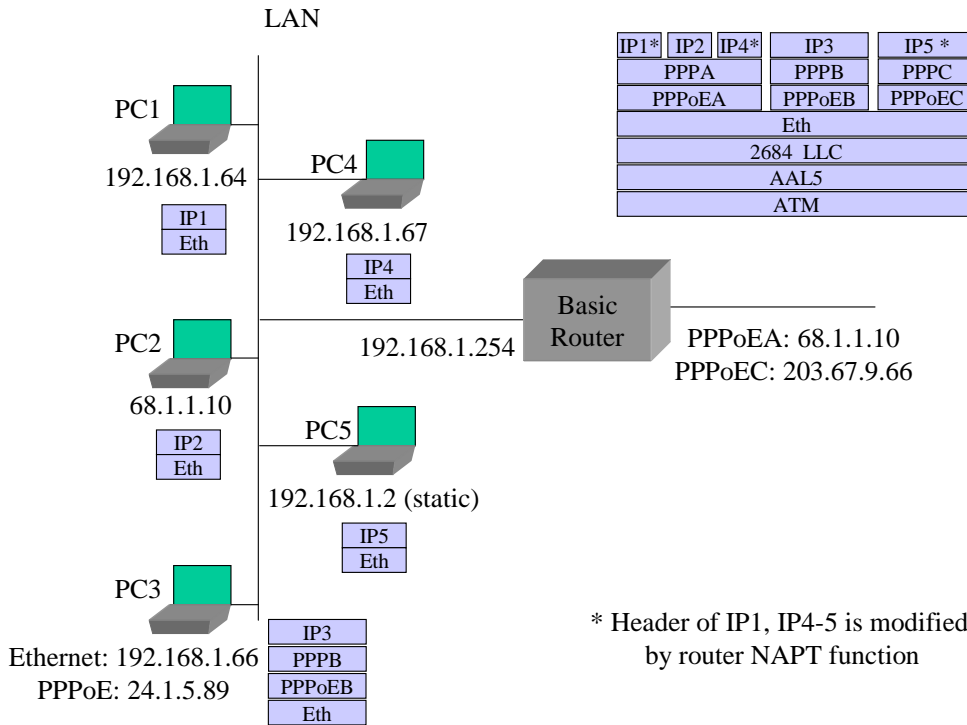


Figure 9 – Example: Router sets up a Second PPPoE Session

III.3 “RFC 2684 Bridged” Mode

The next three scenarios deal IETF RFC 2684 bridged mode configuration cases where the network is not expecting a PPP login or the router is not doing PPP. The first case has the router using its DHCP client to the WAN, acting as a DHCP server to the LAN, and doing routing and NAPT to PCs on the LAN. The second case has the router not establishing a WAN connection, and individual PCs setting up their own PPPoE sessions. In the third case, the router’s embedded DHCP server is also disabled, and the PCs are getting IP addresses from the WAN.

III.3.1 Router in IP-routed “RFC 2684 Bridged” Mode, Embedded DHCP Server On

- The router provides an IP address to each device that it receives a DHCP request from.
- PC5 uses a static IP address and does not send a DHCP request to the router.
- The router has been configured to give PC2 its WAN address. When the router has no WAN connection, it gives PC2 a private address with a short lease time.
- The router issues a DHCP request and establishes an IP session to the WAN (WAN.ATM.3, WAN.ATM.4, LAN.FWD.1).
- The router gives its public IP address to PC2.

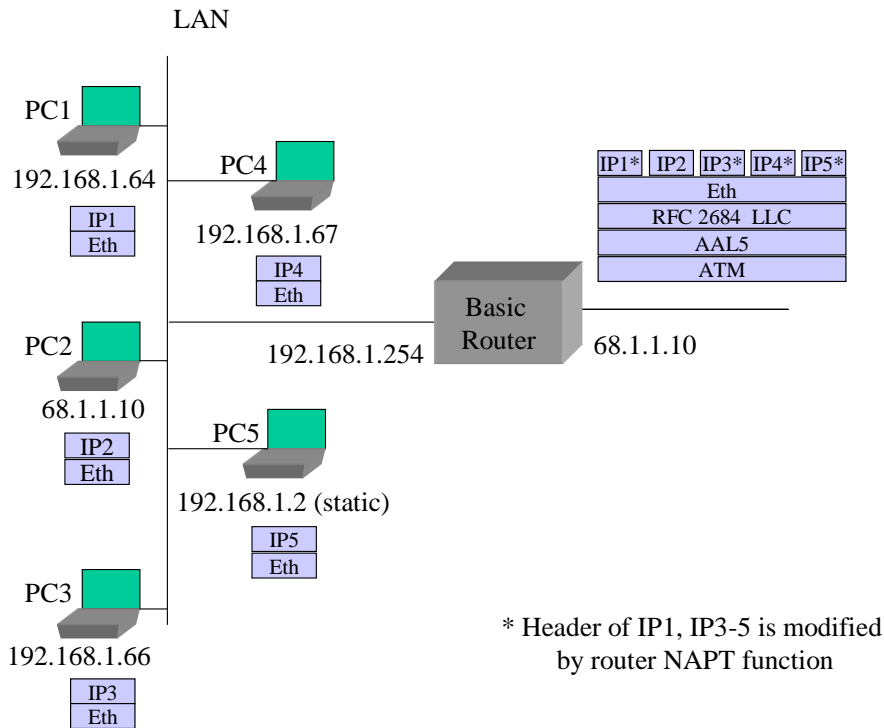


Figure 10 – Example: Router in 2684 Bridged Mode with DHCP Server On

III.3.2 Router in Bridged Mode, Embedded DHCP Server On

- The router provides a private IP address to each device that it receives a DHCP request from (LAN.DHCPS.3).
- The router does not establish any IP or PPP sessions to the WAN.
- No device can get a DHCP response from the WAN, since the router will intercept all DHCP requests that come to it.
- PC1 and PC3 each use a PPPoE client to establish their own PPPoE sessions (WAN.PPP.10, LAN.FWD.5). While the private IP address from the router is still associated with their PC Ethernet interfaces, PC1 and PC3 also have a public IP address associated with their respective PPPoE interfaces. Common behavior is for all IP traffic of PC1 and PC3 to now use their own PPPoE interfaces.
- PCs that do not establish their own PPPoE connection cannot connect to the WAN, but they can communicate with other PCs on the LAN.

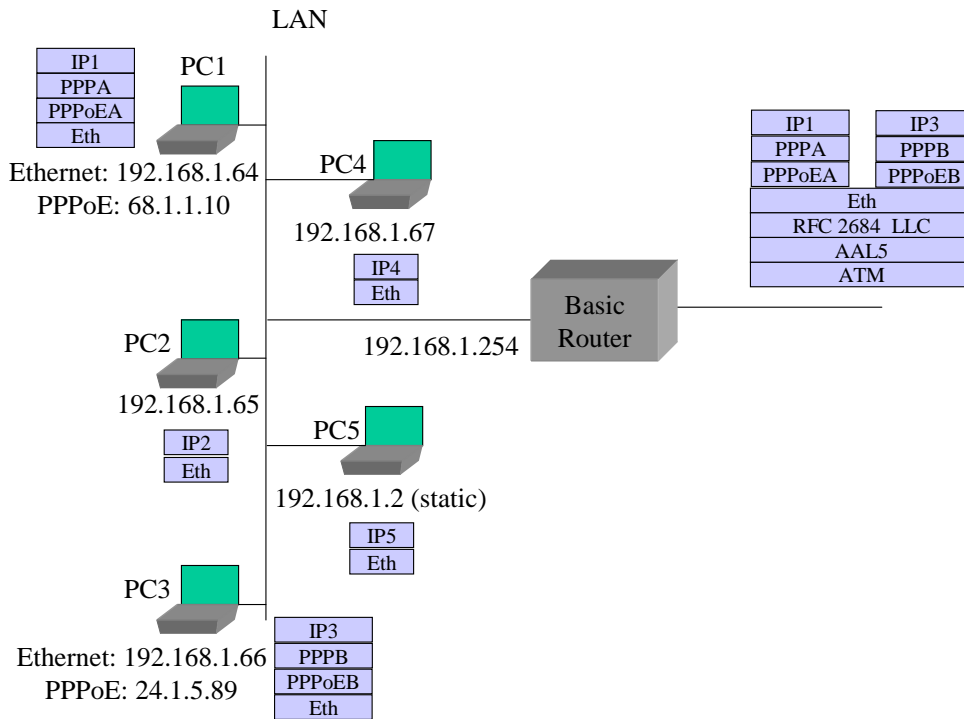


Figure 11 – Example: Router in Bridged Mode with DHCP Server On

III.3.3 Router in Bridged Mode, Embedded DHCP Server Off

- The router does not establish any IP or PPP sessions to the WAN.
- All DHCP requests are bridged onto the WAN (WAN.BRIDGE.1).
- In this example, PC5 does not have a static IP address.

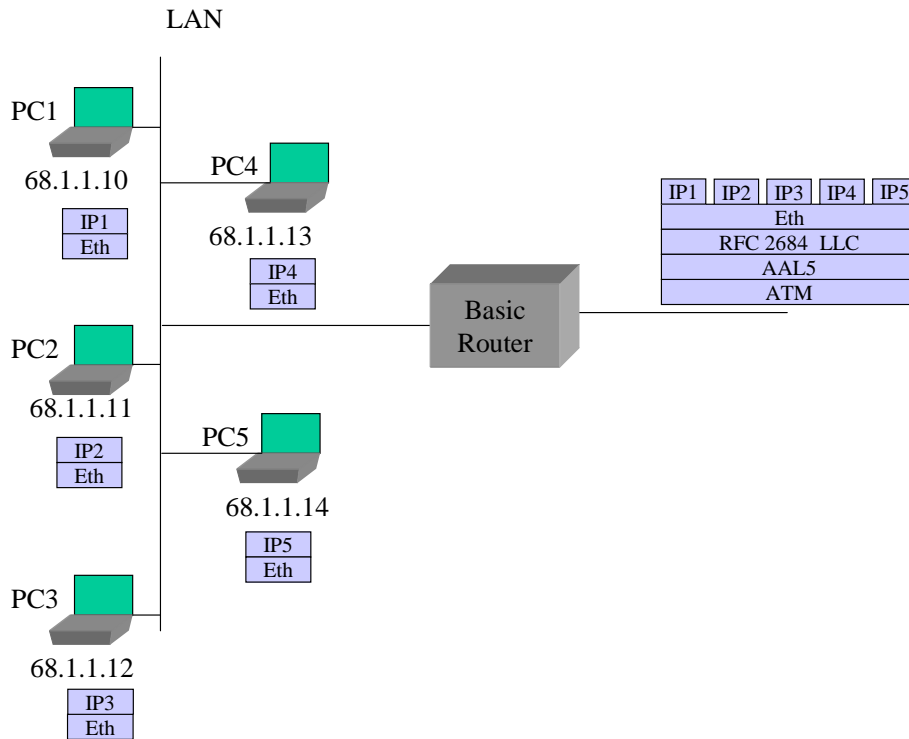


Figure 12 – Example: Router in Bridged Mode with DHCP Server off

III.4 Simultaneous IP and PPPoE WAN Sessions

TR-059 requirements have PPPoE and IP sessions running simultaneously over the same PVC. Here are some examples of how this might look, assuming the network is capable of terminating PPPoE and IP at the same time on the same PVC.

Note: Simultaneous IP and PPPoE is not well supported in the network today. Most equipment terminating the ATM PVC does not support both IP and PPPoE connections at the same time.

III.4.1 Router in IP-routed “2684 Bridged” Mode, Embedded DHCP Server On

- The router provides an IP address to each device that it receives a DHCP request from.
- PC5 uses a static IP address and does not send a DHCP request to the router.
- The router has been configured to give PC2 its WAN address. When the router has no WAN connection, it gives PC2 a private address with a 10 minute lease time.
- The router issues a DHCP request and establishes an IP session to the WAN.
- The router gives its public IP address to PC2.
- PC3 uses a PPPoE client to establish its own PPPoE session (WAN.PPP.10, LAN.FWD.5). While the private IP address from the router is still associated with PC3’s Ethernet interface, PC3 also has a public IP address associated with its own PPPoE interface. Common behavior is for all IP traffic of PC3 to now use this PPPoE interface.

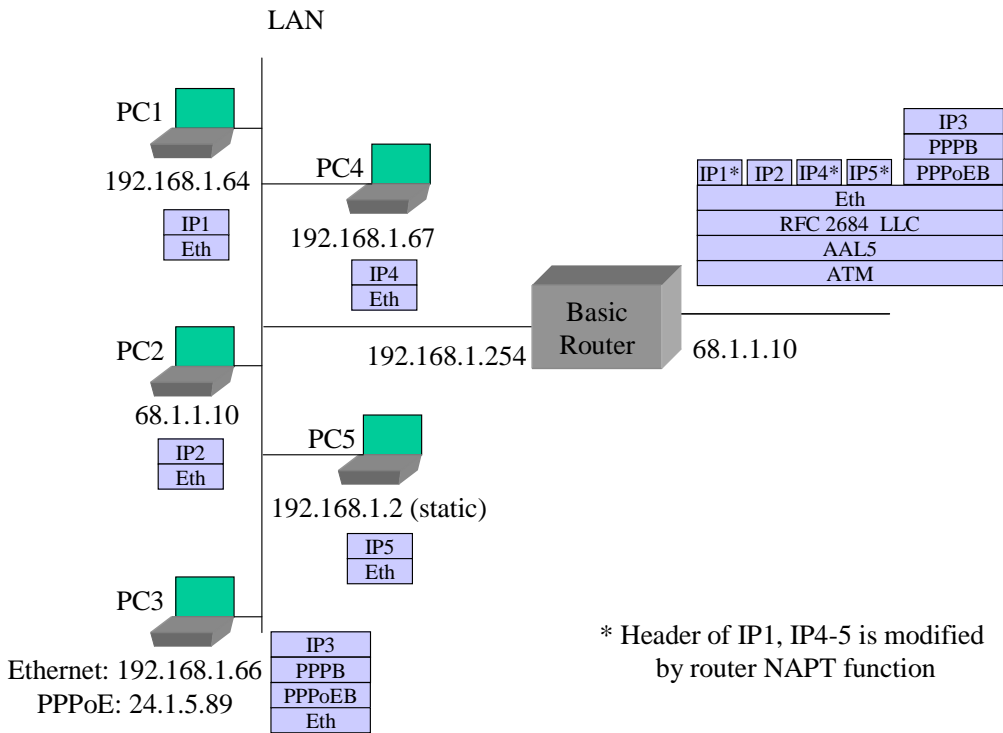


Figure 13 – Example: Router in Routed 2684 Mode

III.4.2 Router Sets Up IP as a Second Session

Assuming the scenario in section III.2.3 as a base, add:

- The router sets up connection IPC (LAN.FWD.19). It gets an IP address and DNS addresses through a DHCP client request. It gets routing information from RIP-2 (LAN.FWD.15). PPPoEA remains the default route.
- PC5 requests a DNS lookup for a URL. The router sends simultaneous URL lookup requests to DNS servers on both connections. The DNS server on the PPPoEA connection fails to resolve the URL and the IPC connection returns an IP address. The router returns the IP address to PC5 (LAN.DNS.3).
- PC5 sends IP packets to the returned IP address. The router determines from its routing table that this goes to connection IPC.

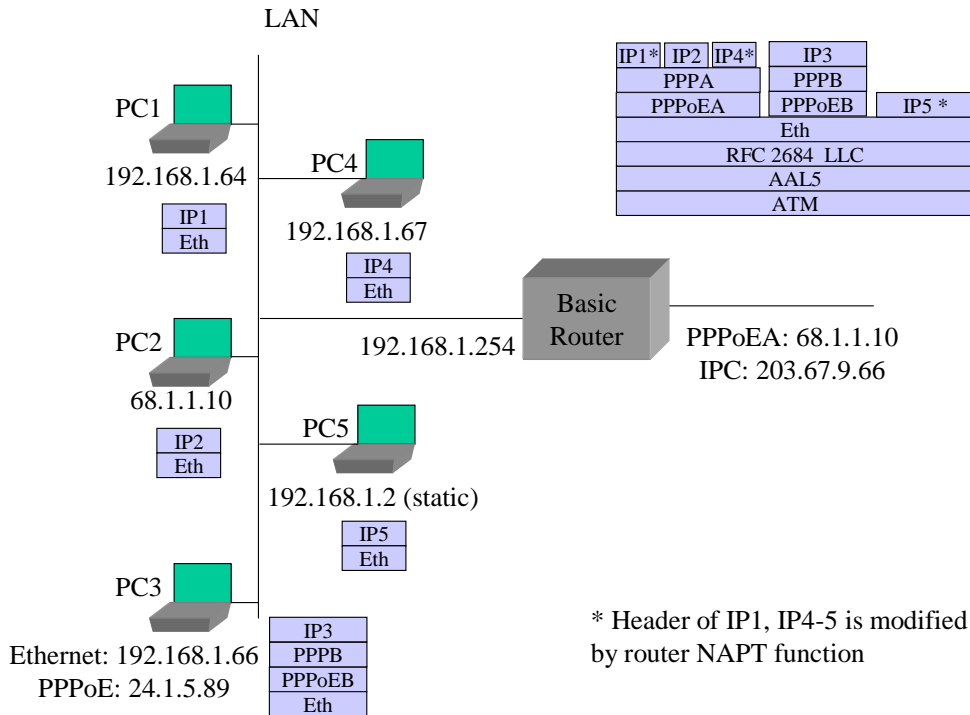


Figure 14 – Example: Router sets up Second IP Connection

III.5 Single PC Mode of Operation

- The router is configured to use the single PC mode of operation (LAN.DHCPS.19).
- The router's embedded DHCP server is on. The embedded DHCP server has only one address lease available in this case.
- PC1 is the first device seen, so it is identified as the “single PC”.
- PC1 is provided with a private IP address and 1:1 NAT is performed between the WAN and PC1 by the router. The subnet mask sent to PC1 is 255.255.255.0.
- Alternately PC1 could be given the router’s public address instead, as with PC2 in the scenarios in section III.2.

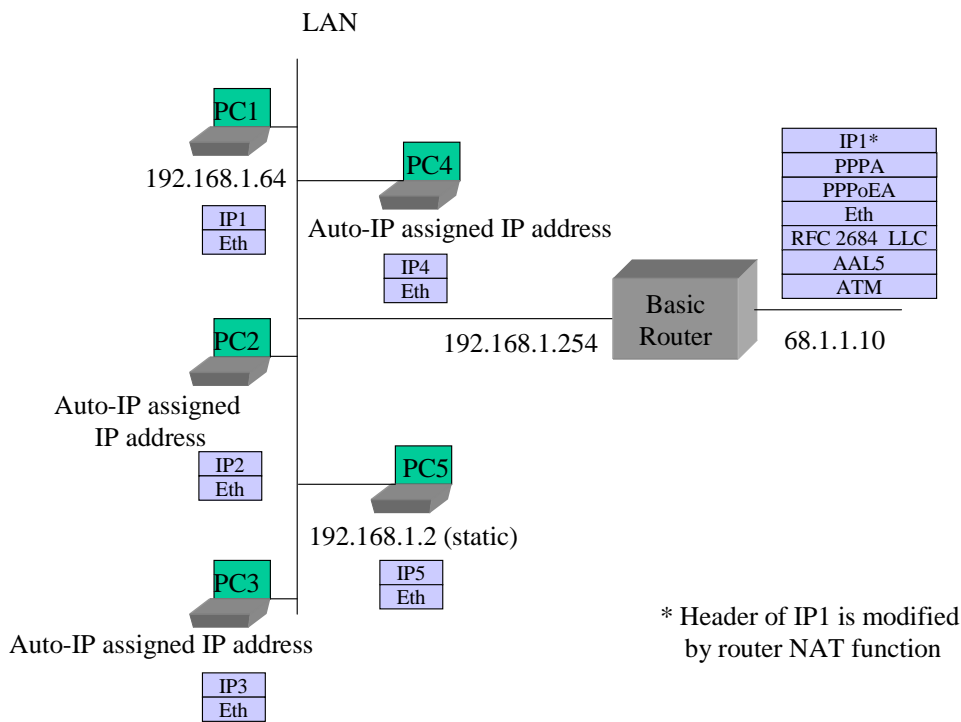


Figure 15 – Example: Single PC Mode of Operation

III.6 Router Embedded DHCP Server Gives Out Public IP Addresses (from use of IPCP extension)

- The router initially gives private IP addresses to PCs, before setting up its PPPoE session.
- The router sets up PPPoE to ISP and gets IP address and DNS server addresses via IPCP. It also gets a subnet mask via an IPCP extension (WAN.DHCPC.1, WAN.PPP.12).
- The router gives public IP addresses to certain PCs when they issue DHCP requests again (LAN.DHCPS.18).
- PC5 is set for static IP and does not issue a DHCP request.

APPENDIX IV Bridged Architecture – Examples of Potential Configurations

IV.1 Introduction

The pictures and descriptions in the following scenarios are intended to provide examples of the bridge interworking of many of the requirements in this document.

The network used in this sequence of examples has 5 PCs, which are described as being connected over Ethernet. For purposes of these scenarios, the physical network and the exact nature of the connected devices are not relevant.

IV.2 Managed Bridge

- The RG will have an IP address for management as (described in section WAN.BRIDGE), which is obtained using a DHCP client on the WAN interface. This address can also be used for other gateway originated services such as an attached telephony device.
- The DHCP server of the RG is configured with the appropriate IP address range and subnet mask by the ACS.
- The PCs are configured to use DHCP for assignment of an IP address. All DHCP requests from the PCs are processed by the DHCP server (described in section LAN.DHCPS] on the RG. Note that the scope of these addresses is specific to the service provider network (i.e. they may be public or private depending on the access network design). If private, it is assumed that the service provider has the NAT functionality in its network.
- All subsequent data exchanges between the PCs and the RG are performed using 802.1D bridging techniques (described in section WAN.BRIDGE).
- The RG filters specific message types (e.g. UPnP or DHCP) from being sent to the WAN (described in section LAN.FW).

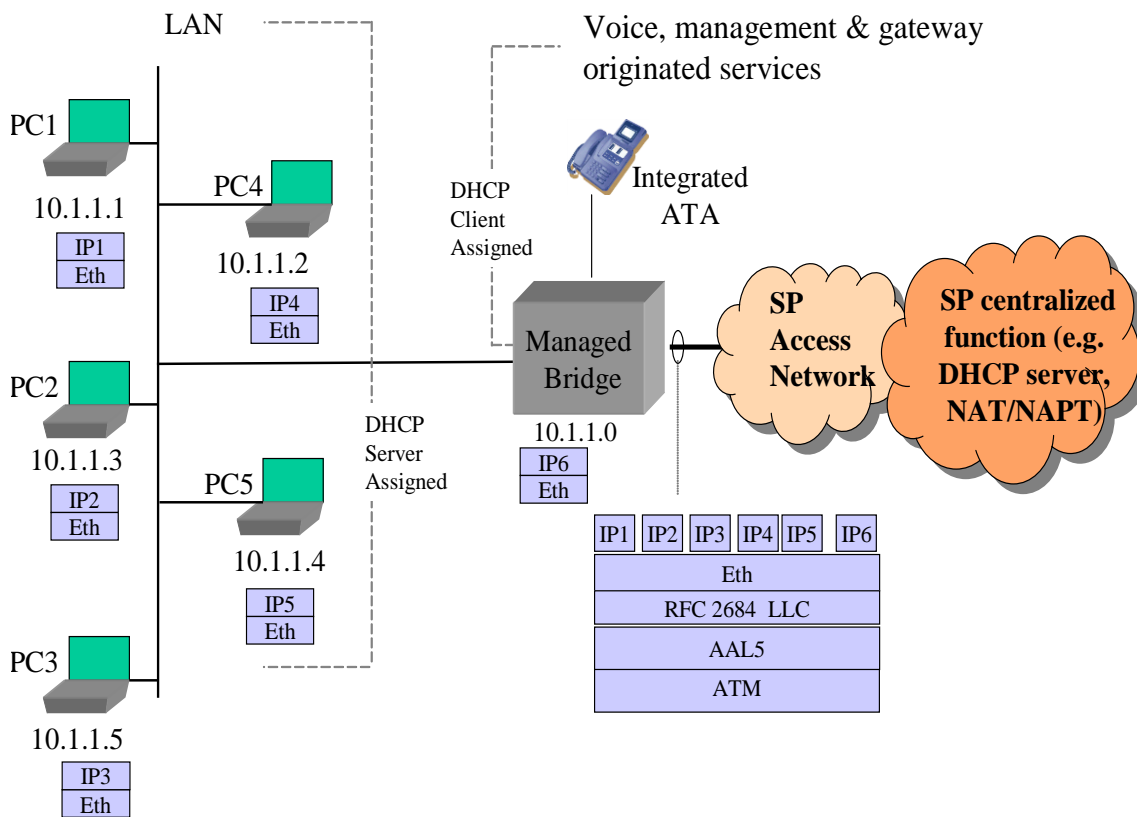


Figure 16 – Example: Managed Bridge Configuration

IV.2.1 Local Management

- The RG may allow access to a local management interface via a default address (described in section LAN.ADDRESS).

IV.3 Unmanaged Bridge

- The RG does not establish any layer 3 connectivity to the WAN.
- All DHCP requests from the PCs are bridged to the WAN (described in section WAN.BRIDGE).

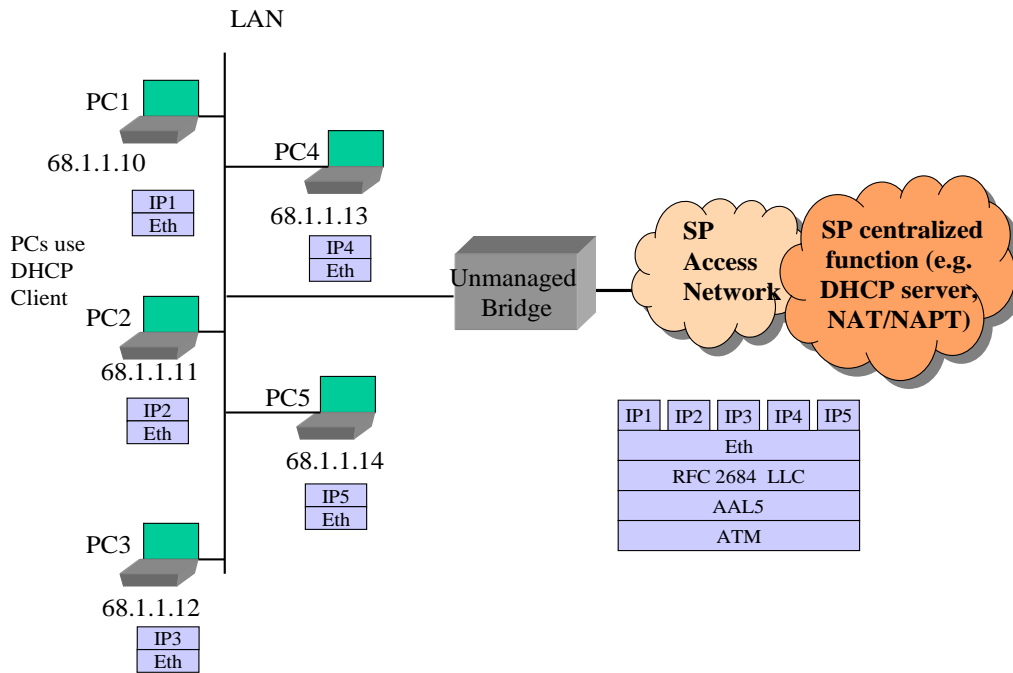


Figure 17 – Example: Unmanaged Bridge Configuration

IV.3.1 Local Management

- The RG may allow access to a local management interface via a default address (described in section LAN.ADDRESS).

APPENDIX V Sealing Current References

Sealing current is also known in the telecommunications industry as wetting current. Sealing current may be sourced by the ATU-C in certain service providers that deploy “dry loop” DSL circuits, meaning that DSL is delivered in the absence of typical central office or remote terminal fed analog POTS service on the copper pair.

The following functional diagram depicts a sealing current circuit design specified in the IF.WAN.SEALING optional module that can be implemented on an xDSL residential gateway.

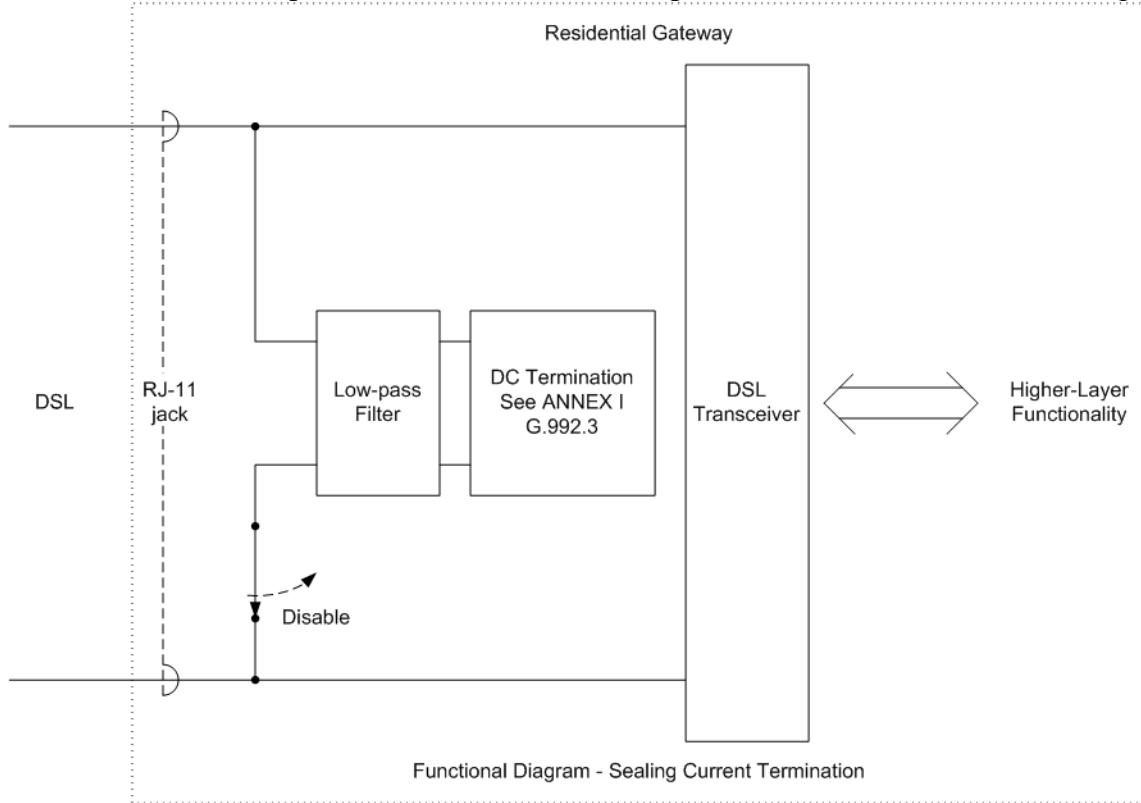


Figure 18 – Sealing current reference design

APPENDIX VI Product Profile Template

VI.1 Introduction

To accommodate the many different residential gateway implementations that will be needed due to various localized market needs, LAN/WAN interfaces, and different services that will be delivered in operators' networks, TR-124 endeavors to define a superset of general requirements and optional modules that can be implemented on a residential gateway.

In order to create a specific product based on the TR-124 modularized requirements, it is necessary for either the Broadband Forum (in the form of new TR documents) or for individual network operators to specify the following details to define a specific desired product implementation:

1. A filled out product profile matrix template as shown in the example below to indicate required modules
2. Any line item edits to requirements (changes to current TR-124 requirements).
3. Any additional new requirements that are needed in the product.
4. Any configuration defaults needed. These should refer to TR-124 requirements that establish a different or new default value required in the implementation.
5. Localized regulatory, certifications, powering and product labeling requirements as necessary.

VI.2 Instructions for Completing a Product Profile Template

The following instructions apply to filling out the product profile template below:

- Any modules marked with a check mark (✓) will be considered required, meaning that all MUST requirements in that section are to be satisfied (with the exception of any specific line item edits that have been made as discussed in section VI.1).
- Any modules that are *not* marked with a check MAY be implemented on the product, but are not considered required. Any vendor implementing any module, regardless of being considered required or not, MUST comply with all MUST requirements in the module (i.e. partial implementations of a module MUST NOT be provided).
- If a module is explicitly not to be included in the product, it must be marked with an x mark (✗) to indicate that it MUST NOT be included.
- For the optional LAN/WAN modules, where appropriate it may be necessary to specify the number or ports/lines to be implemented (e.g. "Qty. 4" under the IF.LAN.ETH.SWITCH to indicate 4 ports).

VI.3 Product Profile Template

Section	Title	Required? (✓, ✗, or blank)
GEN	General Device Requirements	
DESIGN	Design	
OPS	Device Operation	
NET	Networking Protocols	
NETv6	IPv6 Networking Protocols	
WAN	Wide Area Networking (WAN)	
ATM	ATM	
ATM.MULTI	ATM Multi-PVC	
CONNECT	Connection Establishment	
CONNECT.ON-DEMAND	On-Demand Connection Establishment	
ETHOAM	Ethernet OAM	
BRIDGE	Bridging	
DHCPC	DHCP Client (DHCPv4)	
FORCE	Force renew	
BFDecho	BFD echo	
DHCPv4	DHCP Client (DHCPv4)	
DHCPv4.ERP	EAP Reauthentication (ERP) for DHCPv4	
DHCPv6	DHCP Client (DHCPv6)	
DHCPv6.ERP	EAP Reauthentication (ERP) for DHCPv6	
IPv6	IPv6 WAN Connection	
TRANS.6rd	6rd Transition Mechanism	
TRANS.DS-LITE	Dual Stack Lite Transition Mechanism	
TRANS.V4-release-control	IPv6 connectivity with content-based IPv4 release control transition mechanism	
PPP	PPP Client	
PPP.IPv6	PPP Client for establishment of IPv6 connection	
dot1x	802.1x Client	
DoS	Denial of Service Prevention	
QoS	Quality of Service	
QoS.TUNNEL	Quality of Service for Tunneled Traffic	
IPsecClient	IPsec VPN peer to peer	
L2tpClient	L2tp VPN Remote Access	
PCP	Port Control Protocol	
LAN	Local Area Networking (LAN)	
GEN	General LAN Protocols	
ADDRESS	Private IPv4 Addressing	
ADDRESSv6	LAN IPv6 Addressing	
DHCPS	DHCPv4 Server	
DHCPv6S	DHCPv6 Server	
DNS	Naming Services (IPv4 and general requirements)	

Section	Title	Required? (✓, ✗, or blank)
DNSv6	Naming Services (IPv6)	
NAT	NAT/NAPT	
PFWD	Port Forwarding (IPv4)	
PFWDv6	Port Forwarding (IPv6)	
ALG	ALG Functions (IPv4)	
FWD	Connection Forwarding	
IGMP.BRIDGED	IGMP and Multicast in Bridged Configurations (IPv4)	
IGMP.ROUTED	IGMP and Multicast in Routed Configurations (IPv4)	
MLD.ROUTED	MLD and Multicast in Routed Configurations (IPv6)	
FW	Firewall (Basic)	
FW.SPI	Firewall (Advanced)	
FILTER.TIME	Time of Day Filtering	
FILTER.CONTENT	Content Filtering	
DIAGNOSTICS	Automated User Diagnostics	
CAPTIVE	Captive Portal with Web Redirection	
QOS	LAN quality of service requirements	
SIPserver	SIP Server	
SIPmixer	SIP Mixer	
Interworking.UE- Authentication	3GPP User Equipment Authentication Support	
MGMT	Management & Diagnostics	
GEN	General	
UPnP	UPnP	
UPnP.IGD	UPnP IGD	
UPnP.IGD.ACRF	UPnP IGD to allow Connection Request Forwarding	
LOCAL	Local Management	
REMOTE.TR-069	Remote Management (TR-069)	
REMOTE.WEB	Remote Management (Web Browser)	
NTP	Network Time Client	
IF.WAN	WAN Interface Modules	Enter Quantity
ADSL	ADSL and ADSL2+	
VDSL2	VDSL2	
xDSL	xDSL General Requirements	
xDSL.INP	xDSL INP Values	
xDSL.BOND	xDSL Bonding	
xDSL.REPORT	xDSL Reporting of Physical Layer Issues	
xDSL.SEALING	DC Sealing Current	
xDSL.SURGE	AC Power Surge Protection	
ETH	Ethernet (WAN)	
GPON	GPON	
MoCA	MoCA (WAN)	
Wireless	Wireless (WAN)	

Section	Title	Required? (✓, ✗, or blank)
IF.LAN	LAN Interface Modules	Enter Quantity
ETH	Ethernet (LAN)	
ETH.SWITCH	Ethernet Switch	
USB.PC	USB (PC)	
VOICE.ATA	Voice ATA Ports	
WIRELESS.AP	Wireless: General Access Point Functions	
WIRELESS.AP.Enterprise	Wireless: Enterprise	
WIRELESS.AP.ERP-Authenticator	Wireless: ERP Authenticator	
WIRELESS.11g	Wireless: 802.11g Access Point	
WIRELESS.11a	Wireless: 802.11a Access Point	
WIRELESS.11h	Wireless: 802.11h Access Point	
WIRELESS.11n	Wireless: 802.11n Access Point	
HomePNA	HomePNA (Phoneline/Coax)	
MoCA	MoCA (LAN)	
HomePlugAV	HomePlug AV (LAN)	
HomePlugAV2	HomePlug AV2 (LAN)	
Ghn	G.hn	
REGIONAL	Regional Annexes	
NA.Power	North American Power and Environmental	
NA.LED	North American LED Indicators	

End of Broadband Forum Technical Report TR-124