

C.I.P.

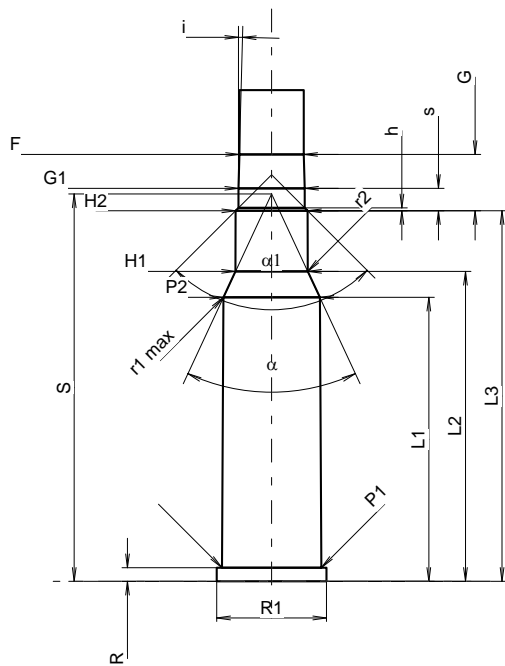
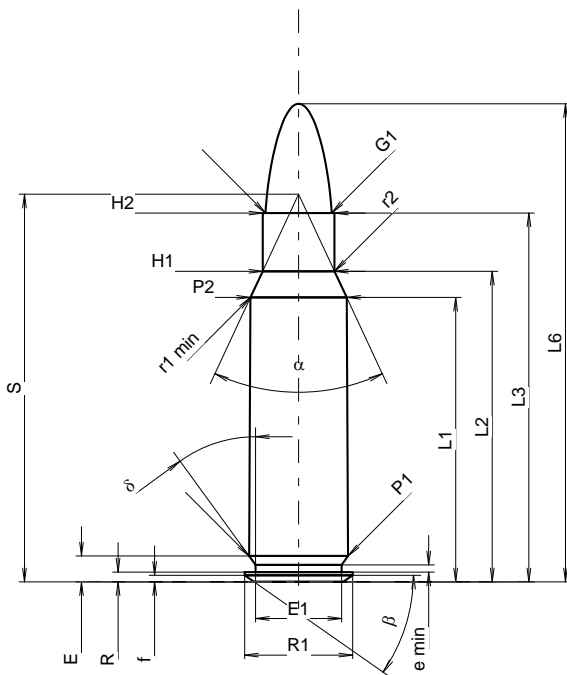
338 Marlin Express

Country of Origin: US

TAB. II

Date 10-05-26

Revision



Scale 1.02:1

Dimensions in << mm >>
Dimensions and Tolerances for Proof Barrels
see Appendix CR 1.

CARTRIDGE MAXI

Lengths

| | | | |
|------------------|---|-------|-------|
| L1 | = | 37.03 | -0.20 |
| L2 | = | 40.43 | -0.20 |
| L3 ¹⁾ | = | 48.01 | |
| L4 | = | | |
| L5 | = | | |
| L6 | = | 62.23 | |

Case Head

| | | | |
|-----------------|---|-------|--|
| R ¹⁾ | = | 1.27 | |
| R1 | = | 14.05 | |
| R3 | = | | |
| E | = | 3.37 | |
| E1 | = | 11.20 | |
| e min | = | 0.94 | |
| delta | = | 36° | |
| f | = | 0.86 | |
| beta | = | 35° | |

Powder Chamber

| | | | |
|------|---|-------|-------|
| P1 | = | 12.89 | |
| P2 * | = | 12.52 | -0.20 |

Junction Cone

| | | | |
|---------|---|-------|--|
| alpha * | = | 50° | |
| S * | = | 50.46 | |
| r1 min | = | 1.02 | |
| r2 | = | 3.18 | |

Collar

| | | | |
|------------------|---|------|--|
| H1 * | = | 9.35 | |
| H2 ¹⁾ | = | 9.35 | |

Projectile

| | | | |
|--------------------|---|-------|--|
| G1 ¹⁾ | = | 8.60 | |
| G2 | = | | |
| F | = | | |
| L3+G ¹⁾ | = | 55.34 | |

Pressures (Energies)

Method Transducer

| | | | |
|------|---|------------|--|
| Pmax | = | 3200 bar | |
| PK | = | 3680 bar | |
| PE | = | 4000 bar | |
| M | = | 25.00 | |
| EE | = | 4200 Joule | |

Miscellaneous Dimensions

| | | | |
|--------------------|---|------|--|
| Fe ¹⁾³⁾ | = | 0.15 | |
| delta L | = | 0.03 | |

CHAMBER MINI

Lengths

| | | | |
|------------------|---|-------|--|
| L1 | = | 36.97 | |
| L2 | = | 40.35 | |
| L3 ¹⁾ | = | 48.24 | |

Breech

| | | | |
|-----------------|---|-------|--|
| R ¹⁾ | = | 1.78 | |
| R1 | = | 14.30 | |
| R2 | = | | |
| R3 | = | | |
| r | = | | |

Powder Chamber

| | | | |
|------------------|---|-------|--|
| E | = | | |
| P1 ¹⁾ | = | 12.93 | |
| P2 * | = | 12.55 | |

Junction Cone

| | | | |
|---------|---|-------|--|
| alpha * | = | 50° | |
| S * | = | 50.43 | |
| r1 max | = | 0.76 | |
| r2 | = | 3.18 | |

Collar

| | | | |
|------------------|---|------|--|
| H1 * | = | 9.40 | |
| H2 ¹⁾ | = | 9.37 | |

Commencement of Rifling

| | | | |
|--------------------|---|-------|--|
| G1 ¹⁾ * | = | 8.61 | |
| G ¹⁾ | = | 7.33 | |
| alpha1 | = | 90° | |
| h | = | 0.38 | |
| s * | = | 2.92 | |
| i ¹⁾ * | = | 1°30' | |
| w | = | | |

Barrel

| | | | |
|-------------------|---|------|--|
| F ¹⁾ * | = | 8.38 | |
| Z ¹⁾ | = | 8.59 | |

Grooves

| | | | |
|---|---|--------|-----------------|
| b | = | 2.79 | |
| N | = | 6 | |
| u | = | 305.00 | |
| Q | = | 56.95 | mm ² |

Notes: 1) Check for safety reasons
3) Headspace on Shoulder
* Basic dimensions