

# PRODUCT SERVICE SCHEMATIC MANUAL

© Wang Laboratories, Inc., 1974

This manual contains company proprietary information.  
Reproduction of this document in whole or in part  
without the authorized consent of Wang Laboratories,  
Inc. is prohibited.

## INTRODUCTION

This manual contains schematic drawings and cable diagrams of the following products:

Model 100 System  
Model 400 System  
Model 500/520/600 Calculators  
Model 700/720 Calculators  
Model 1200 System  
Model 2200 System  
Peripherals of 500/520/600/700/720/2200  
DIABLO Series 40 Disk Drive

The schematics are arranged in sections in the order listed above. A colored title and table of contents sheet begins each section. The schematics in each section are arranged in ascending numerical order by printed circuit board number disregarding F and L prefixes. Pertinent power supply schematics and cable diagrams are placed at the end of each section. Due to the unavailability at time of publication, some schematics and cable diagrams are missing, especially on newer products. Rough engineering drawings and preliminary drawings are not usually incorporated in this manual.

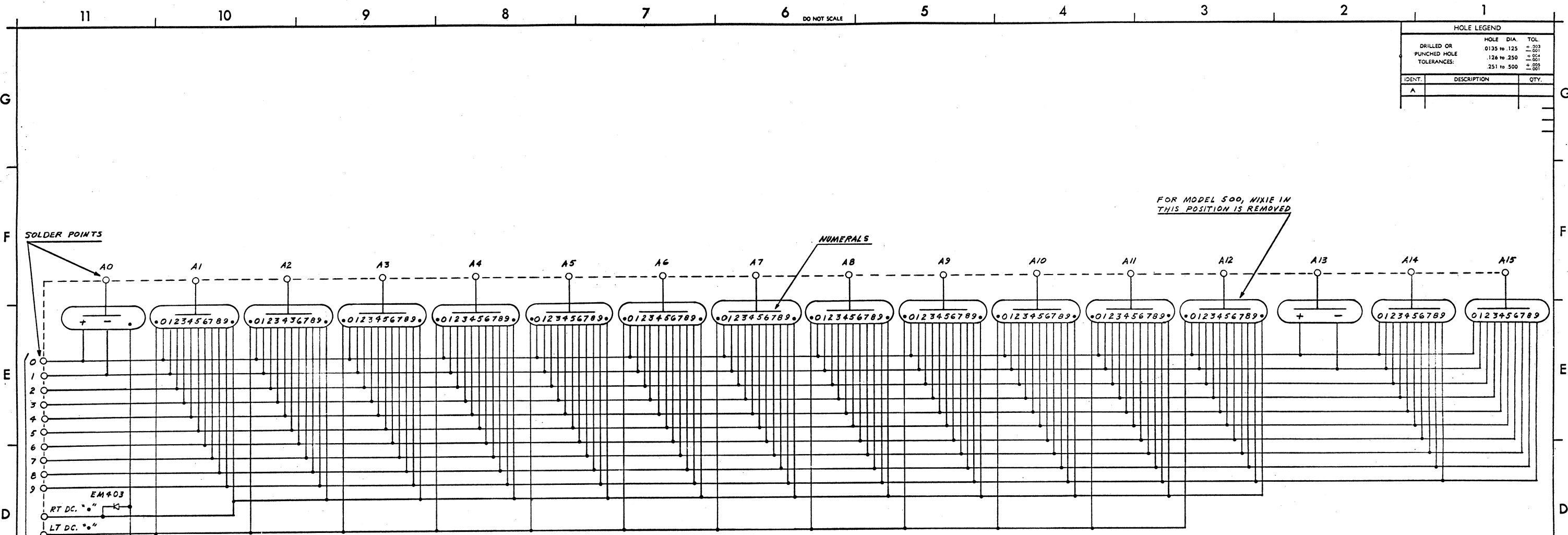
This manual will periodically be updated to include drawings and schematics of newly manufactured products, and drawings that are now sketches or not finalized.

The Model 300 series drawings are not included in this manual because of a prior publication *Series 300 Drawings* (03-0007-0) which incorporated all 300 schematic diagrams. All copies of this manual are exhausted and there are currently no plans to reprint due to expense and low priority.

Publication of this new schematic manual eliminates schematic diagrams from future Service Bulletins; bulletins will have assembly drawings only if available at time of publication.

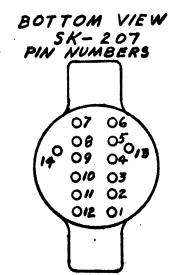
In order to improve this publication, use the business reply form on the next page to send suggestions or requests for drawings which may have been omitted; these will be incorporated in the next update.

HOLE LEGEND		
DRILLED OR PUNCHED HOLE	HOLE DIA.	TOL.
	0135 to .125	±.003
	.126 to .250	±.004
	.251 to .500	±.005
IDENT.	DESCRIPTION	QTY.
A		



5223  
CABLE CONN.

A0	(A) 1	A3
A5	(B) 2	FXDX
A2	(C) 3	A1
A4	(D) 4	B
1	(E) 5	9
0	(F) 6	RT DC
5	(H) 7	A7
	(J) 8	A6
2	(L) 10	A13
4	(M) 11	A15
6	(N) 12	A12
7	(P) 13	A11
3	(R) 14	A10
A8	(S) 15	A9



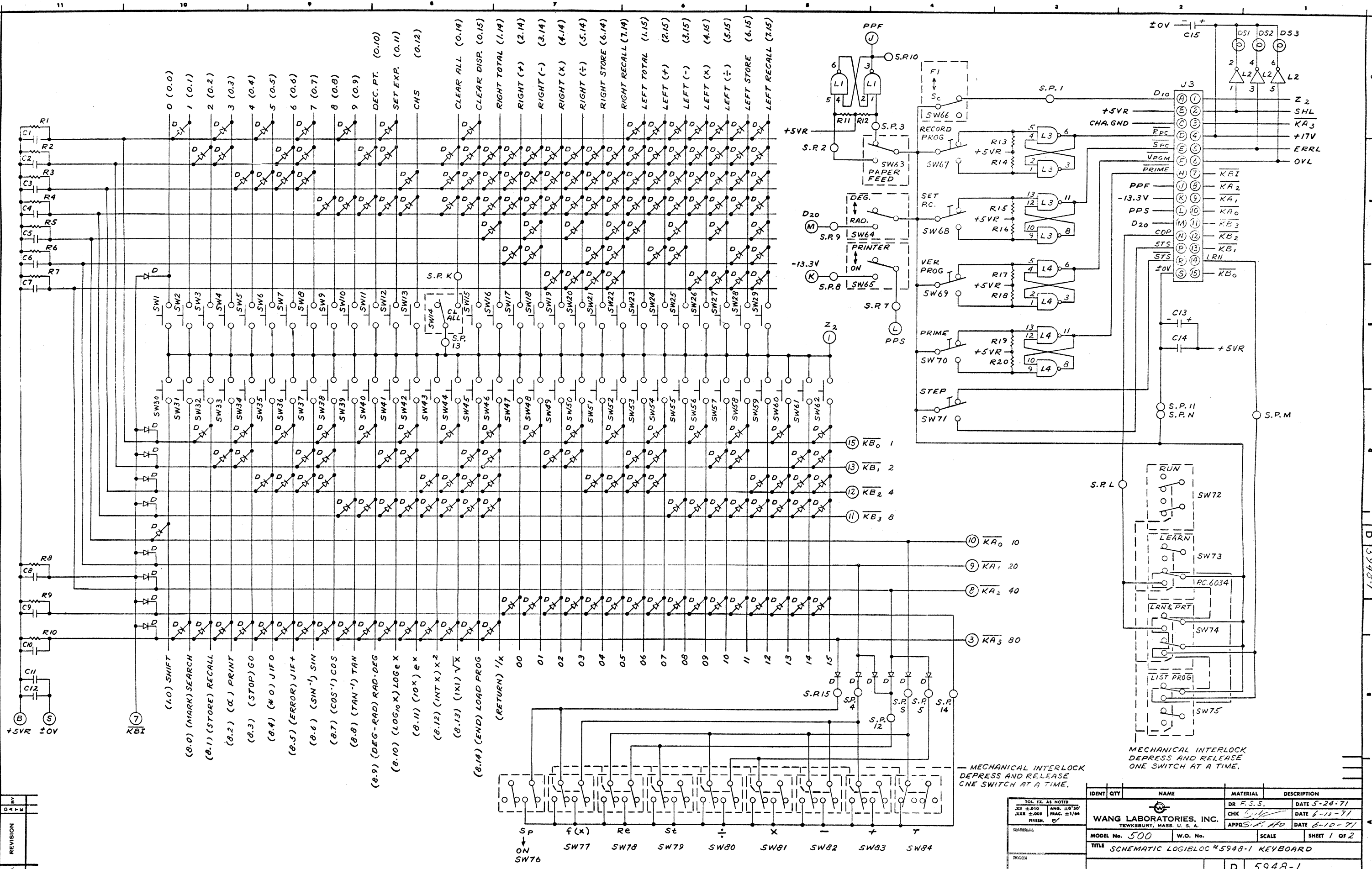
PIN	CONNECTION	SIGN TUBE
1	NUMERAL 1	-
2	"	2
3	"	3
4	"	4
5	"	5
6	"	6 +
7	ANODE	ANODE
8	NUMERAL 7	
9	"	8
10	ANODE	
11	NUMERAL 9	
12	"	0
13	RT. DC. PT.	RT. DC. PT.
14	LT. DC. PT.	

TUBE TYPE	WANG. NO.	QTY
SIGN	340-0010	2
NUMERAL	340-0011	14

REVISION	DATE	DESCRIPTION
1	5/10/71	PER ECN #2189 ADDED FXDX CKT, ADDED 5223 CABLE CONN. ADDED NOTE FOR MODEL 500 APP. R T

WANG PART NO.	ITEM	QTY.	NAME	MATERIAL	DESCRIPTION
	FIRST USED ON	ASSY USED ON			
			<b>WANG</b> LABORATORIES, INC. TEWKSBURY, MASS. U.S.A.	BY: DWN	DATE: 2/27/71
				CHK: RIT	DATE: 3-13-70
				E. C. CONTROL	MFG ENGR
			MATERIAL	MODEL NO. 700/500	TITLE SCHEMATIC LOGIBLOC #5936 NIXIE DISPLAY
			FINISH	SEE ENGRG SPECIFICATIONS	
				TOL. EX. AS NOTED .XX ± .010 FRAC. ± 1/64 .XXX ± .005 ANG. ± 1°30' FINISH V	
			SCALE 4/1	SHT OF	
				WANG PART NUMBER	SIZE
				D 5936-1	1
				DRAWING NUMBER	REV.

D 5936-1



MECHANICAL INTERLOCK DEPRESS AND RELEASE ONE SWITCH AT A TIME.

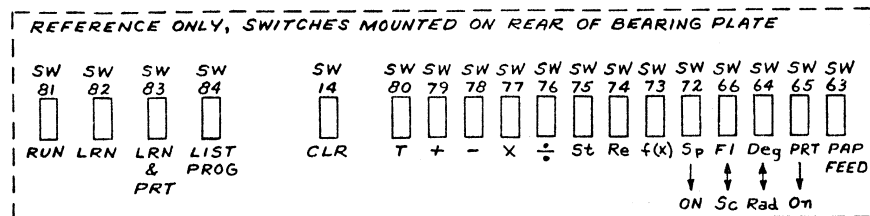
MECHANICAL INTERLOCK DEPRESS AND RELEASE ONE SWITCH AT A TIME.

TOL. EX. AS NOTED	DR. F.S.S.	DATE 5-24-71
.XX ±.010	CHK	DATE 6-10-71
.XXX ±.008	FRAG. ±1/64	DATE 6-10-71
FINISH		

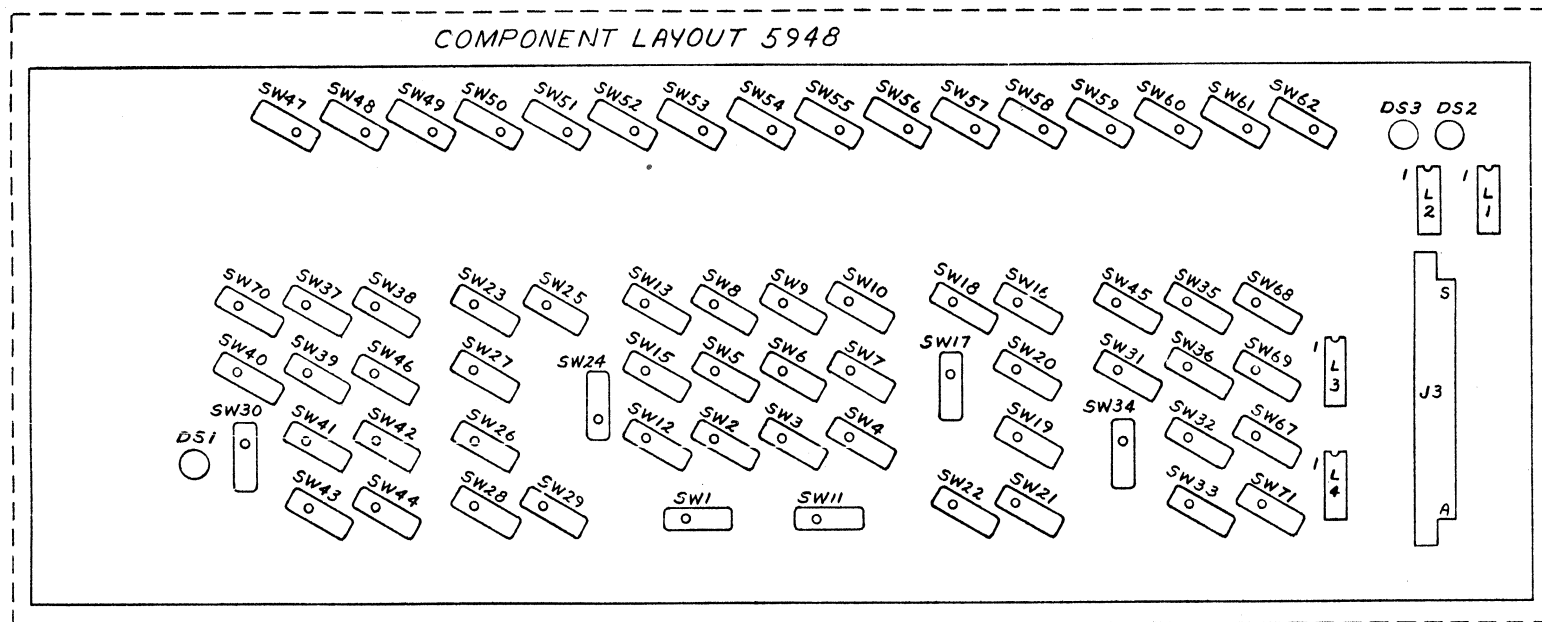
IDENT	QTY	NAME	MATERIAL	DESCRIPTION
		WANG LABORATORIES, INC.		
		TEWKSBURY, MASS. U. S. A.		
MODEL No.	500	W.O. No.	SCALE	SHEET 1 OF 2
TITLE SCHEMATIC LOGIBLOC #5948-1 KEYBOARD				
PART NUMBER	REV	SIZE	D	5948-1
				DRAWING NUMBER

D 5948-1

I.C. LOCATION	TYPE	W.L. NO.	TERM FOR ±OV	TERM FOR VCC +5VR	QTY.
L1,3,4	F 9946	376-0023	7	14	3
L2	SN 7406N	376-0055	7	14	1



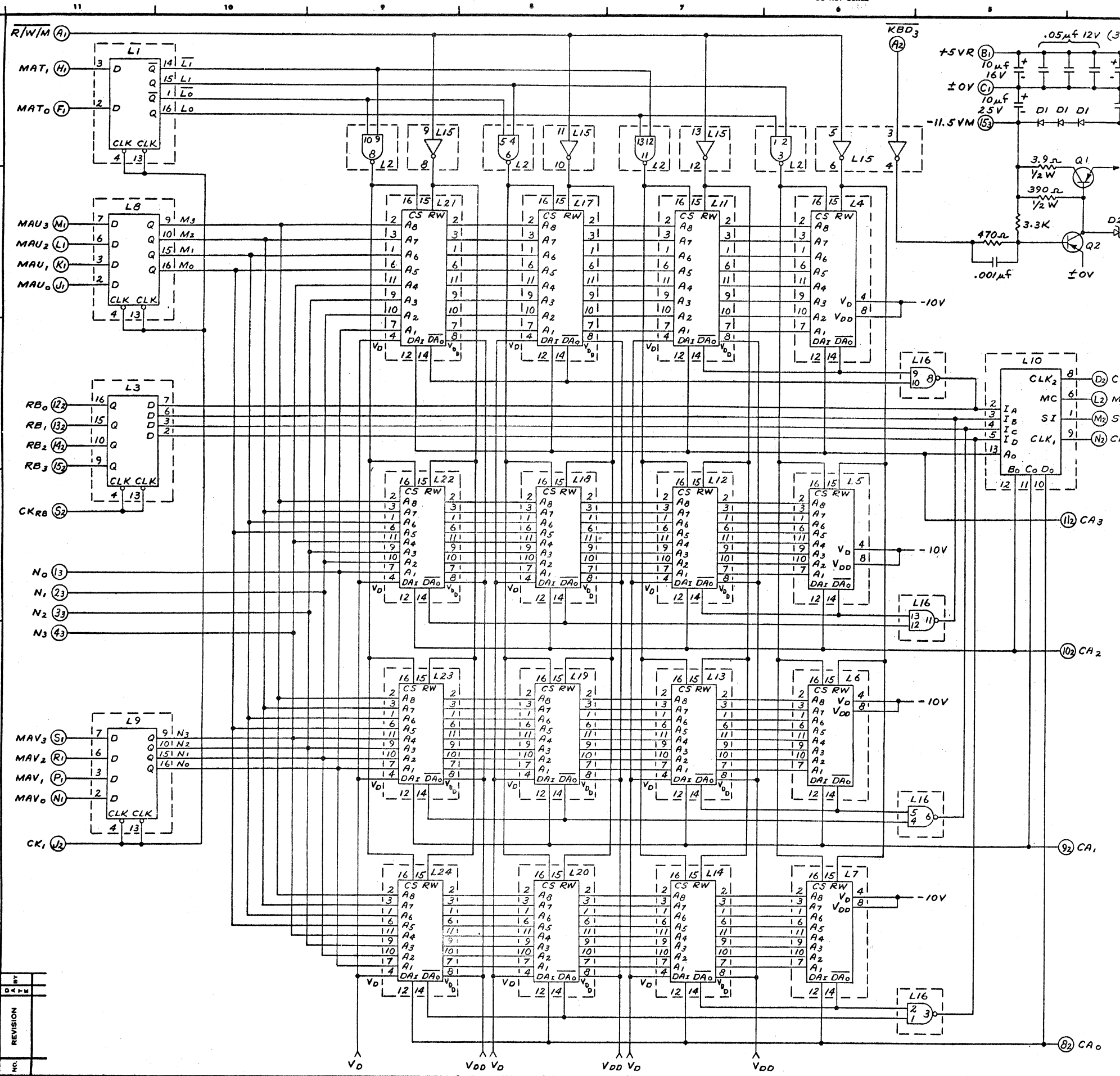
COMPONENT	TYPE & SIZE	W.L. NO.	QTY.
R1,2,3,4,5,6,7,9,10	6.8K 1/4 W	330-3068	5
R8	3.3K 1/4 W	330-3033	1
R11,12,13,14,15,16,17,18,19,20	10K 1/4 W	330-4010	10
C1,2,3,4,5,6,7,8,9,10	150μF	300-1150	10
C11,14	3.3μF 15V TANT.	300-4016	2
C12	.05μF	300-1900	1
C13,15	2.2μF 20V TANT.	300-4014	2
D	SIL. DIODE	380-1001	214
J3	225-21521-10500	350-0009	1
DS1,2,3	CLEAR. 1762	370-0004	3
SW1,2,3,4,5,6,7,8,9,10,11,12,13,15,16,17,18,19,20,21,22,23,24,25,26,27,28,29,30,31,32,33,34,35,36,37,38,39,40,41,42,43,44,45,46,47,48,49,50,51,52,53,54,55,56,57,58,59,60,61,62	MIC. SW. 11SM804	325-2300	61
SW67,68,69,70,71	MIC. SW. 11SM1	325-2305	5



NO	REVISION

IDENT	QTY	NAME	MATERIAL	DESCRIPTION
TOL. EX. AS NOTED		DR. F.S.S. DATE 5-26-71		
.XX ±.010 ANG. 20°30'		CHK. DATE 6-10-71		
.XXX ±.005 FRAC. ±1/64		APPD. S.P.H. DATE 6-10-71		
FINISH		SCALE SHEET 2 OF 2		
MATERIAL		MODEL No. 500 W.O. No. TITLE SCHEMATIC LOGIBLOC #5948-1 KEYBOARD		
FINISH		PART NUMBER REV SIZE DRAWING NUMBER		
		D 5948-1		

D 5948-1

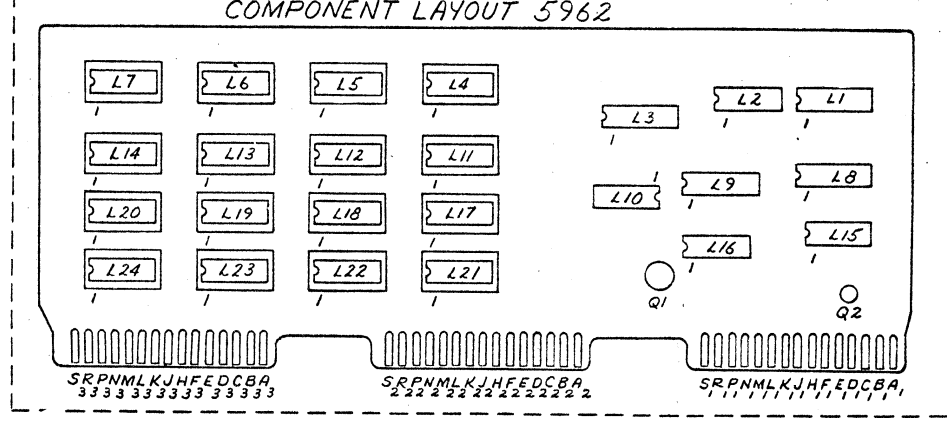
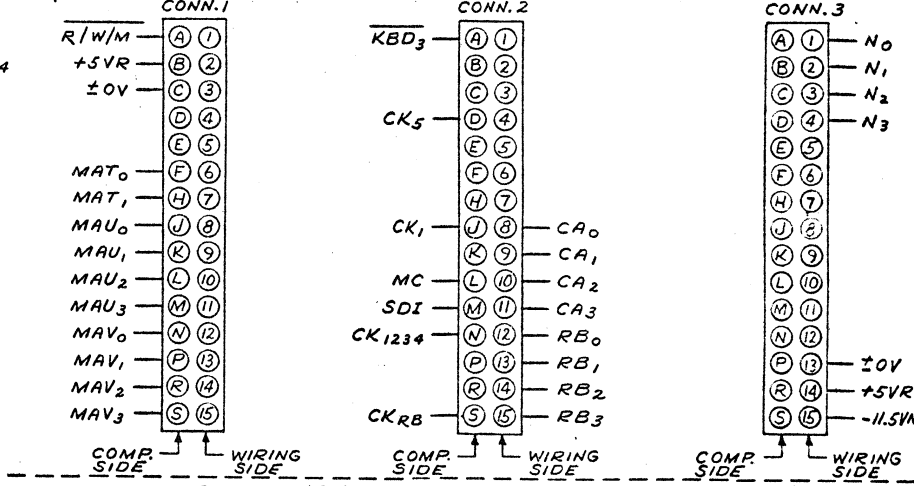


I.C. LOCATION	TYPE	W.L. NO.	TERM FOR ±0V	TERM FOR VCC +5V	QTY.
L4,5,6,7,11,12,13,14,17,18,19,20,21,22,23,24	1101	377-0000		5	16
L2,16	SN7400N	376-0002	7	14	2
L15	SN7404N	376-0010	7	14	1
L1,3,8,9	SN7475N	376-0013	12	5	4
L10	SN7495N	376-0059	7	14	1

COMPONENT	TYPE	W.L. NO.	QTY.
Q1	2N4234	375-1024	1
Q2	6T544	375-1017	1
D1	EM403	380-4000	3
D2	1N758A	380-2100	1

NOTE: ALL RESISTORS 1/4W UNLESS OTHERWISE SPECIFIED.

SIGNAL-TERMINAL DESIGNATIONS, VIEW FROM BOTTOM (WIRING) SIDE OF CONNECTOR



NO.	REVISION

IDENT	QTY	NAME	MATERIAL	DESCRIPTION

TOL. EX. AS NOTED  
 .XX ±.010 ANG. ±0°30'  
 .XXX ±.008 FRAC. ±1/64  
 FINISH: ✓

WANG LABORATORIES, INC.  
 TEWKSBURY, MASS. U. S. A.

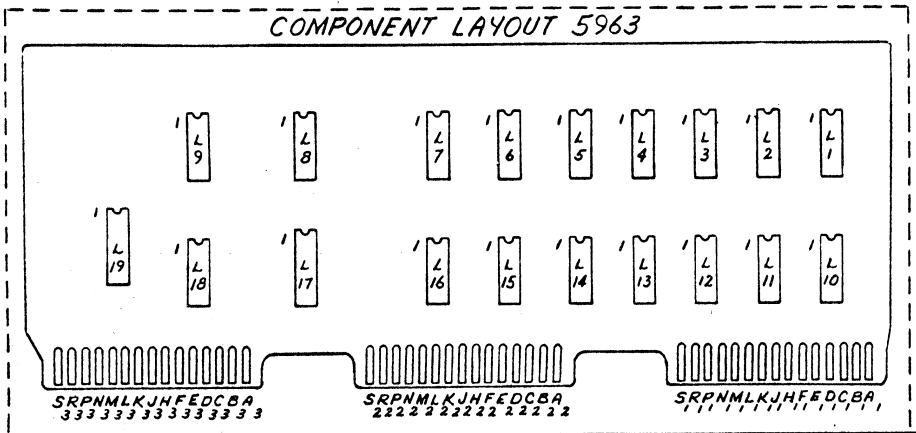
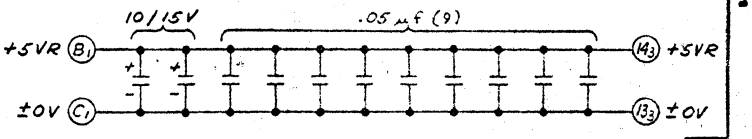
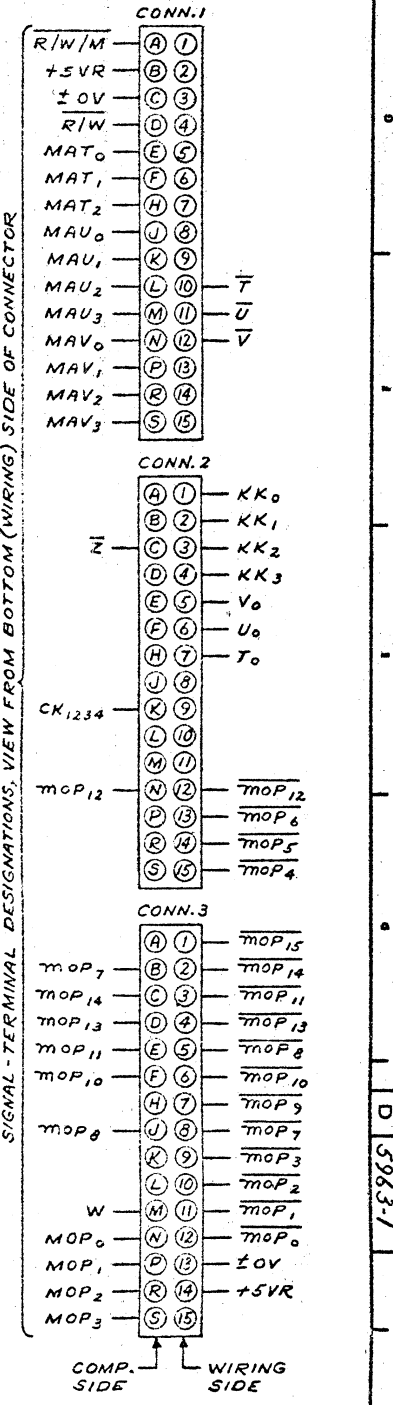
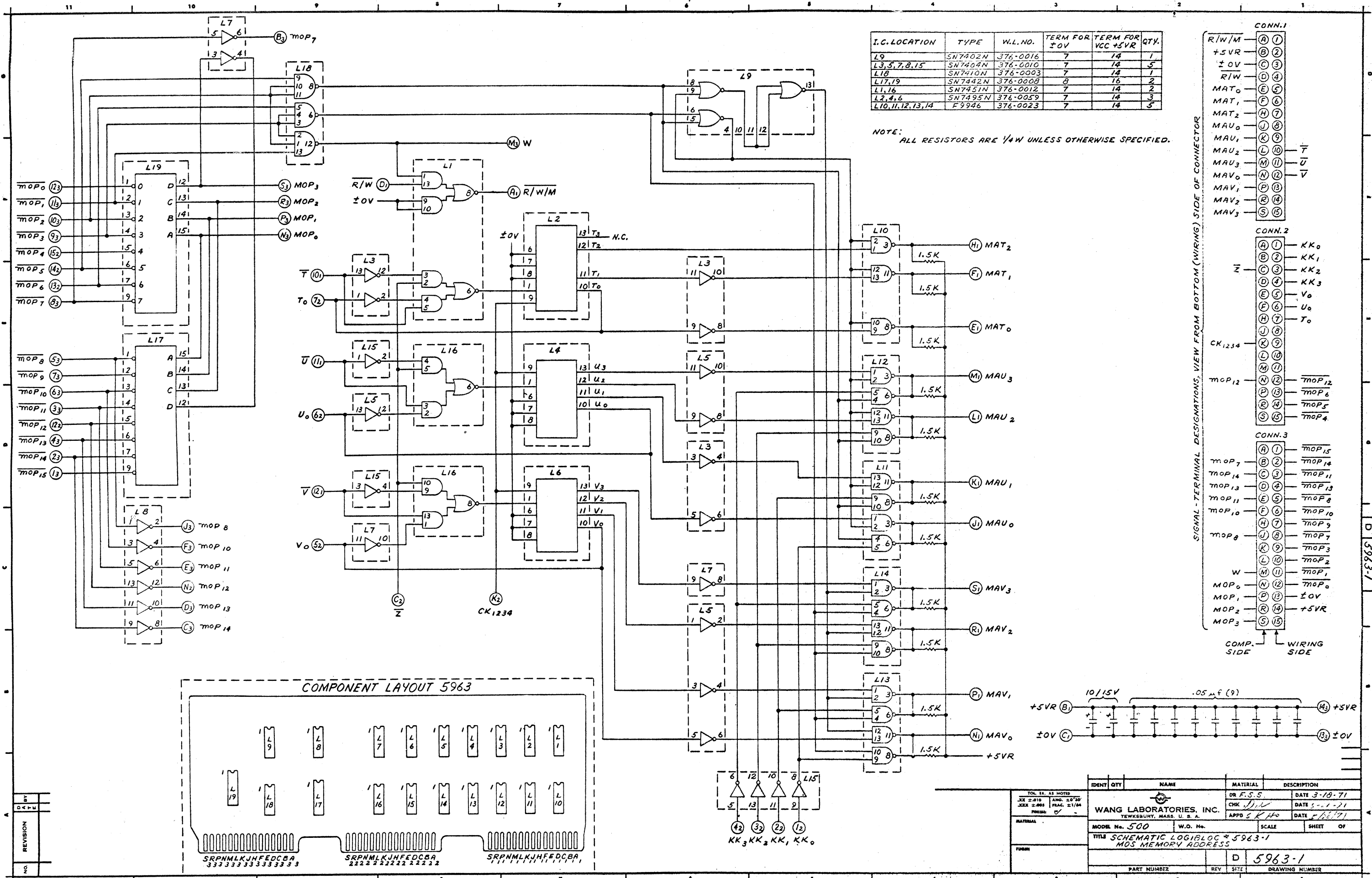
MODEL No. 500 W.O. No. SCALE SHEET OF  
 TITLE SCHEMATIC LOGIBLOC #5962-1  
 MOS MEMORY ADDER

PART NUMBER REV SIZE DRAWING NUMBER  
 D 5962-1

DO NOT SCALE

I.C. LOCATION	TYPE	W.L. NO.	TERM FOR ±0V	TERM FOR VCC +5VR	QTY.
L9	SN7402N	376-0016	7	14	1
L3,5,7,8,15	SN7404N	376-0010	7	14	5
L18	SN7410N	376-0003	7	14	1
L17,19	SN7442N	376-0008	8	16	2
L1,16	SN7451N	376-0012	7	14	2
L2,4,6	SN7495N	376-0059	7	14	3
L10,11,12,13,14	F9946	376-0023	7	14	5

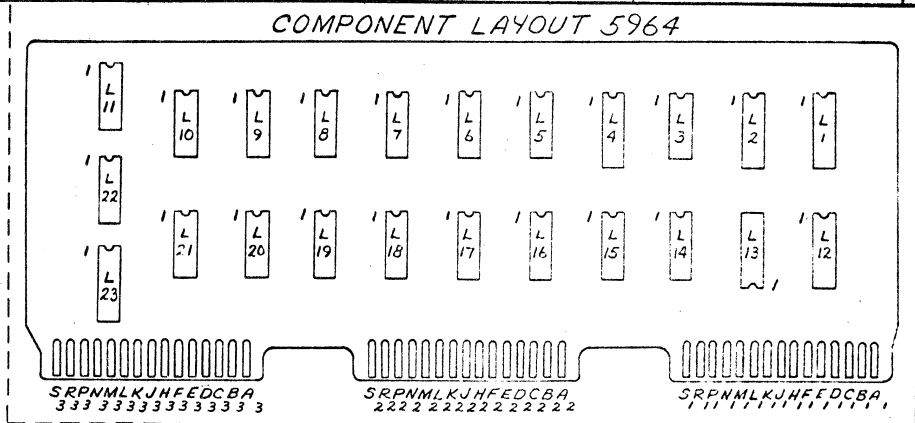
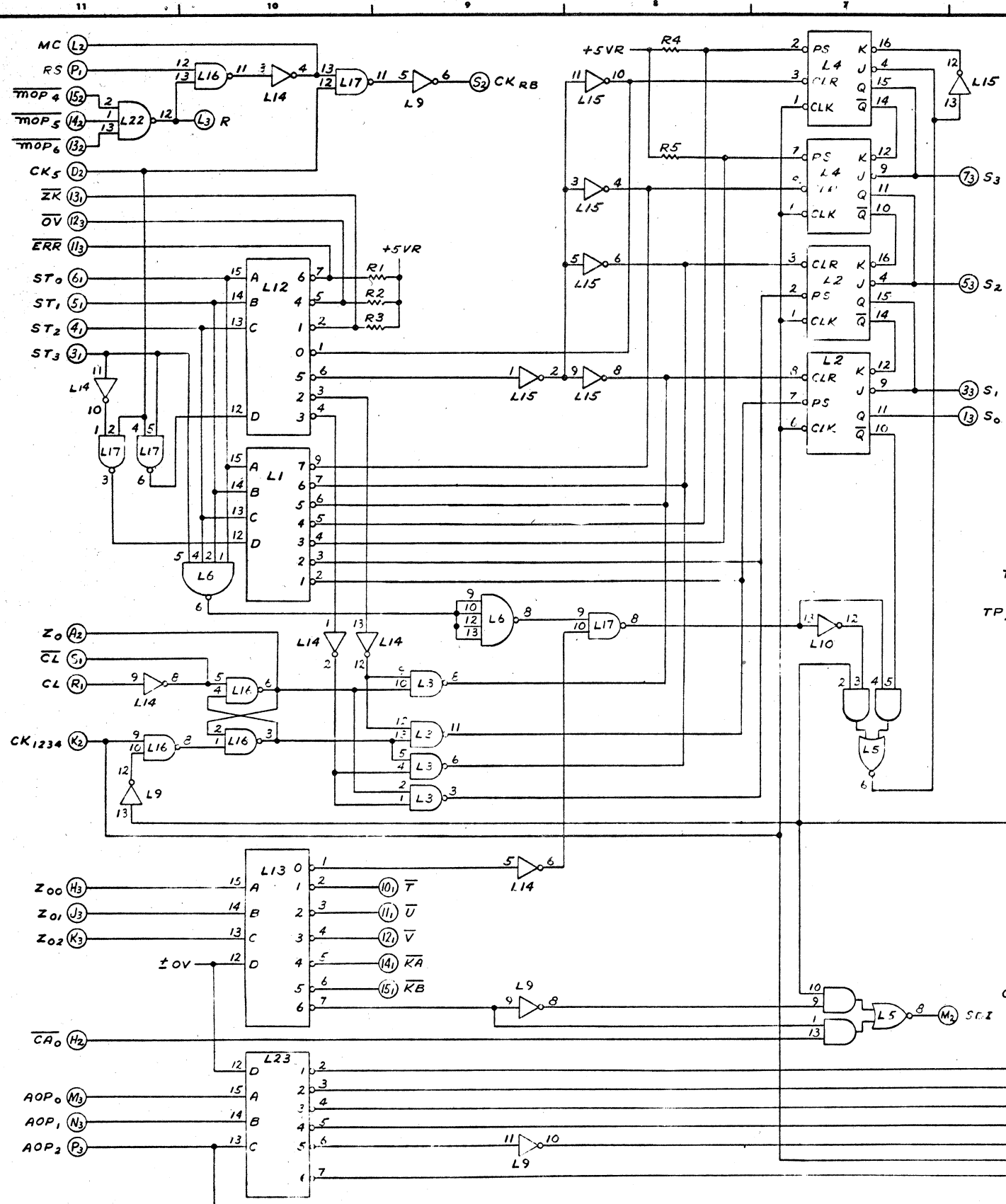
NOTE: ALL RESISTORS ARE 1/4W UNLESS OTHERWISE SPECIFIED.



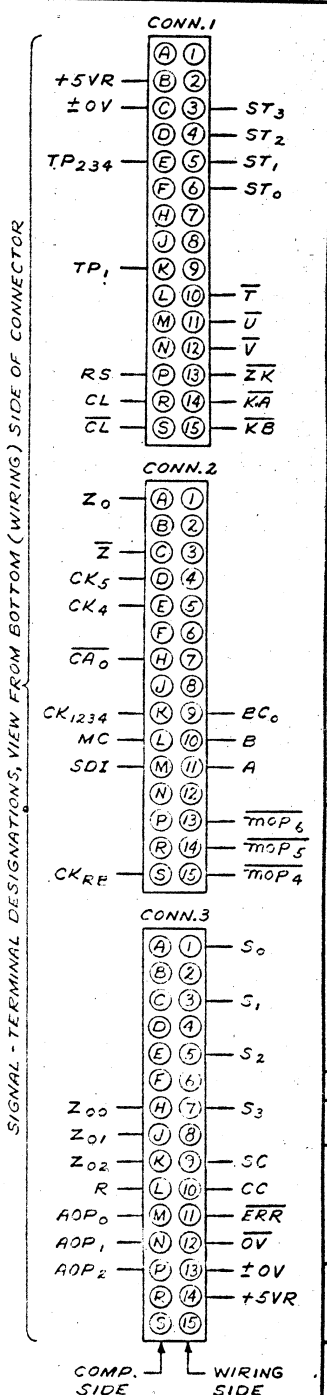
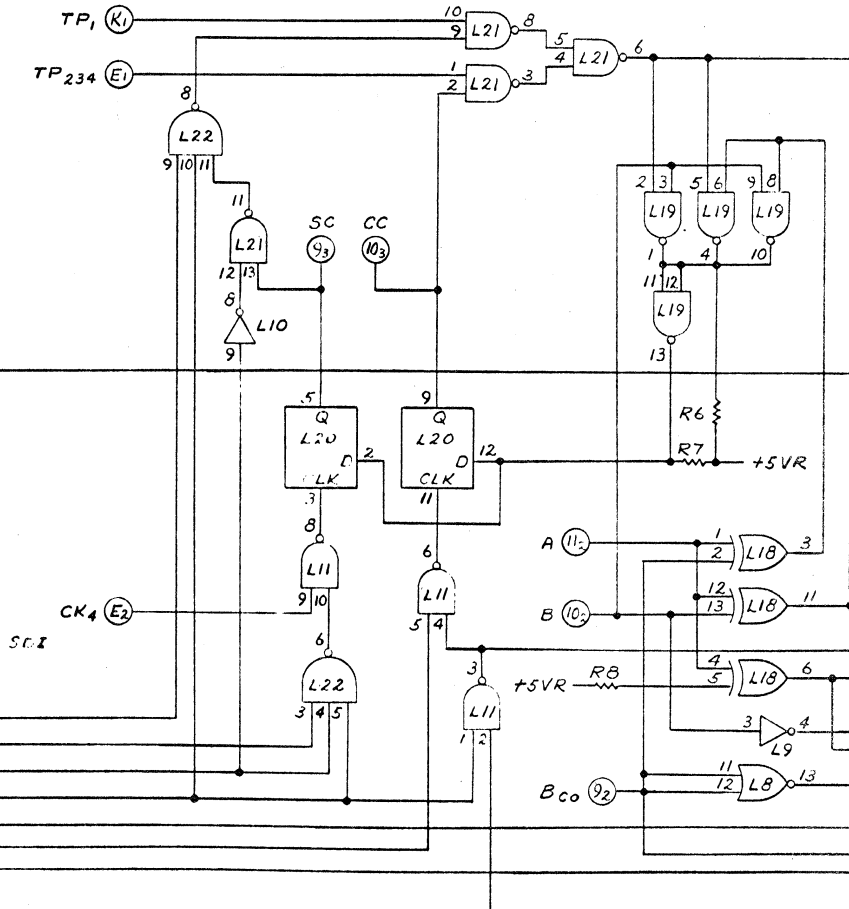
IDENT	QTY	NAME	MATERIAL	DESCRIPTION
			DR F.S.S.	DATE 3-18-71
<b>WANG LABORATORIES, INC.</b>				
TEWKSURY, MASS. U. S. A.				
MODEL No.	500	W.O. No.	SCALE	SHEET OF
TITLE SCHEMATIC LOGIC BLOC # 5963-1				
MOS MEMORY ADDRESS				
PART NUMBER		REV	SIZE	DRAWING NUMBER
				D 5963-1

REVISION	NO

DO NOT SCALE

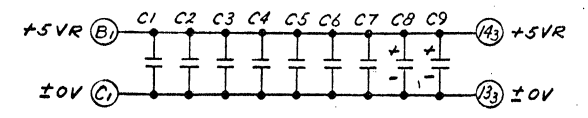


I.C. LOCATION	TYPE	W.L.NO.	TERM FOR ±0V	TERM FOR VCC +5VR	QTY.
L11,16,17,21	SN7400N	376-0002	7	14	2
L19	SN7401N	376-0015	7	14	1
L8	SN7402N	376-0016	7	14	1
L9,10,14	SN7404N	376-0010	7	14	3
L22	SN7410N	376-0003	7	14	1
L6	SN7420N	376-0004	7	14	1
L17,23	SN7422N	376-0008	8	16	2
L1,12	SN74145	376-0049	8	16	2
L5	SN7451N	376-0012	7	14	1
L7	SN7453N	376-0057	7	14	1
L20	SN7474N	376-0006	7	14	1
L2,4	SN7476N	376-0007	13	5	2
L18	SN7486N	376-0036	7	14	1
L15	F9935	376-0025	7	14	1
L3	F9946	376-0023	7	14	1



NO.	REVISION	BY	DATE	REASON
1				

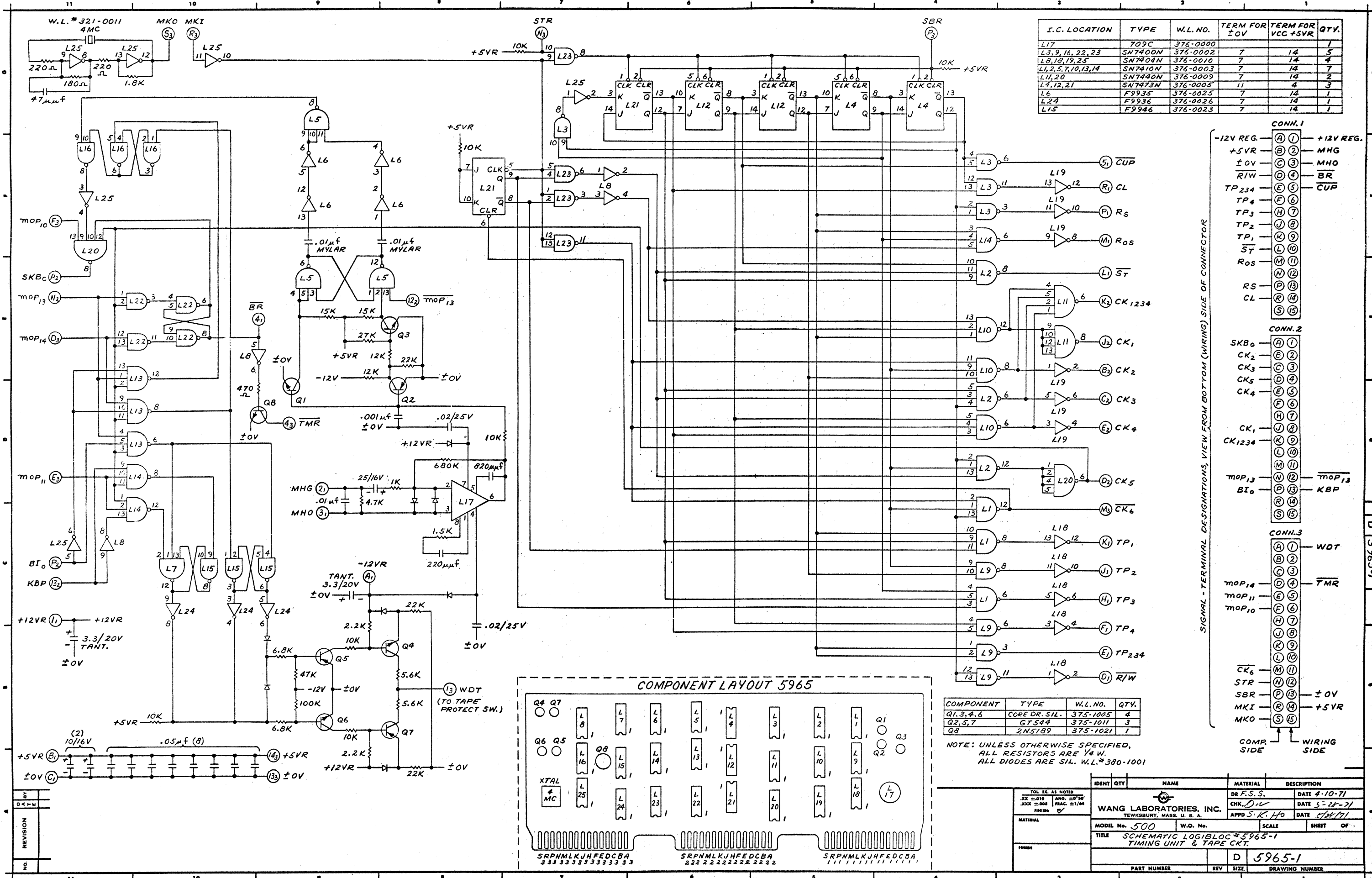
COMPONENT	TYPE & SIZE	W.L. NO.	QTY.
R1,2,3,4,5	1K 1/4W	330-3010	5
R6	680Ω 1/4W	330-2068	1
R7	2.2K 1/4W	330-3022	1
R8	10K 1/4W	330-4010	1
C1,2,3,4,5,6,7	.05μF 12V CER.	300-1900	7
C8,9	10μF 15V ELECT.	300-3006	2



IDENT	QTY	NAME	MATERIAL	DESCRIPTION
 <b>WANG LABORATORIES, INC.</b> TEWKSBURY, MASS. U. S. A.				
MODEL No. 500		W.O. No.	SCALE	SHEET OF
TITLE SCHEMATIC LOGIBLOC #5964-1 ALU				
PART NUMBER		REV	SIZE	DRAWING NUMBER

D 5964-1

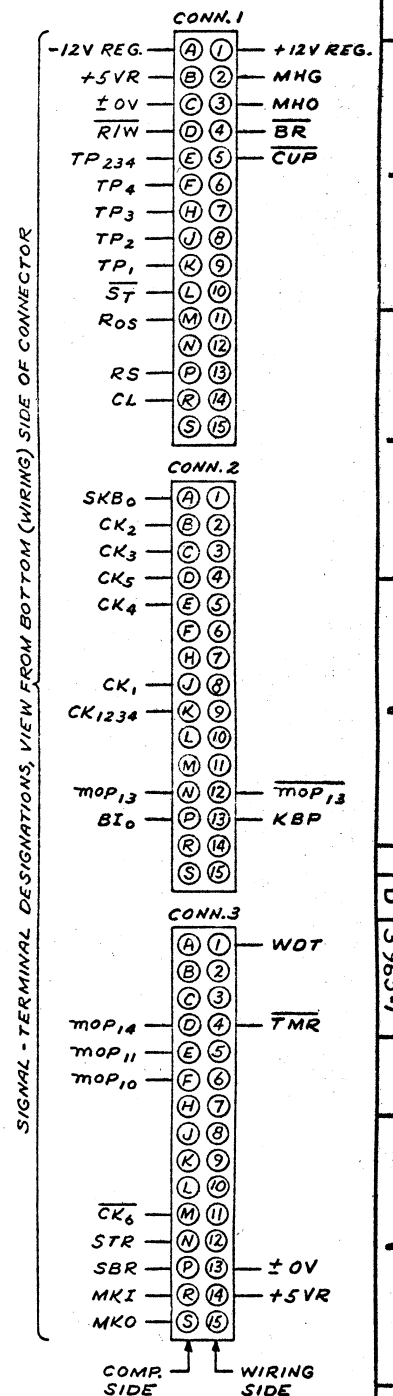
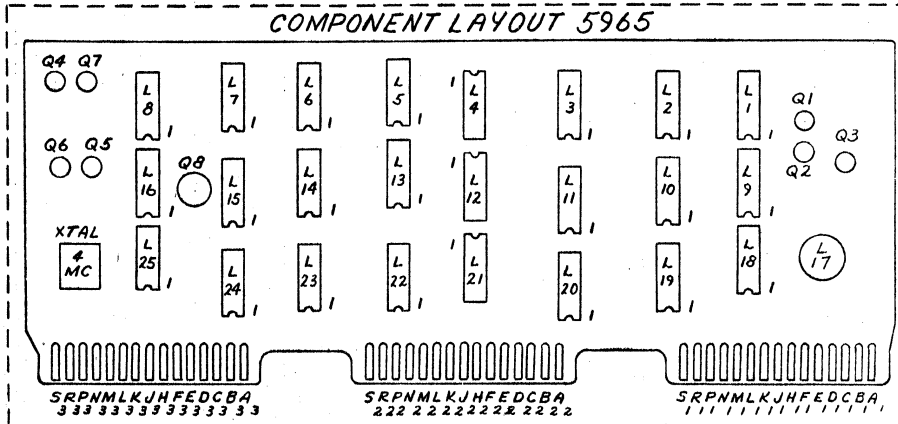




I.C. LOCATION	TYPE	W.L. NO.	TERM FOR ±0V	TERM FOR VCC +5VR	QTY.
L17	709C	376-0000			1
L3, 9, 16, 22, 23	SN7400N	376-0002	7	14	5
L8, 18, 19, 25	SN7404N	376-0010	7	14	4
L1, 2, 5, 7, 10, 13, 14	SN7410N	376-0003	7	14	7
L11, 20	SN7440N	376-0009	7	14	2
L4, 12, 21	SN7473N	376-0005	11	4	3
L6	F9935	376-0025	7	14	1
L24	F9936	376-0026	7	14	1
L15	F9946	376-0023	7	14	1

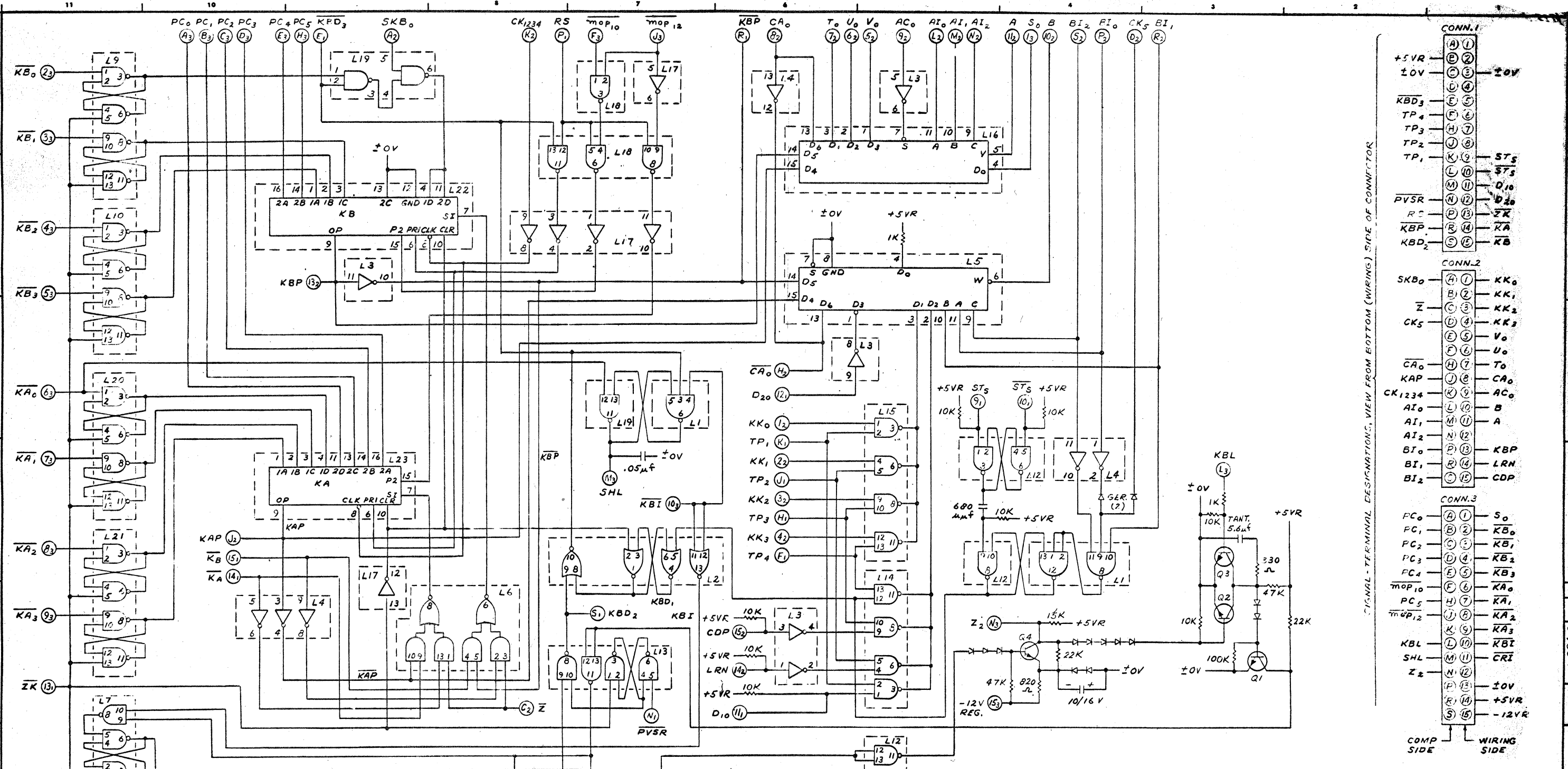
COMPONENT	TYPE	W.L. NO.	QTY.
Q1, 3, 4, 6	CORE DR. SIL.	375-1005	4
Q2, 5, 7	GT548	375-1011	3
Q8	2N5789	375-1021	1

NOTE: UNLESS OTHERWISE SPECIFIED, ALL RESISTORS ARE 1/4 W. ALL DIODES ARE SIL. W.L.#380-1001

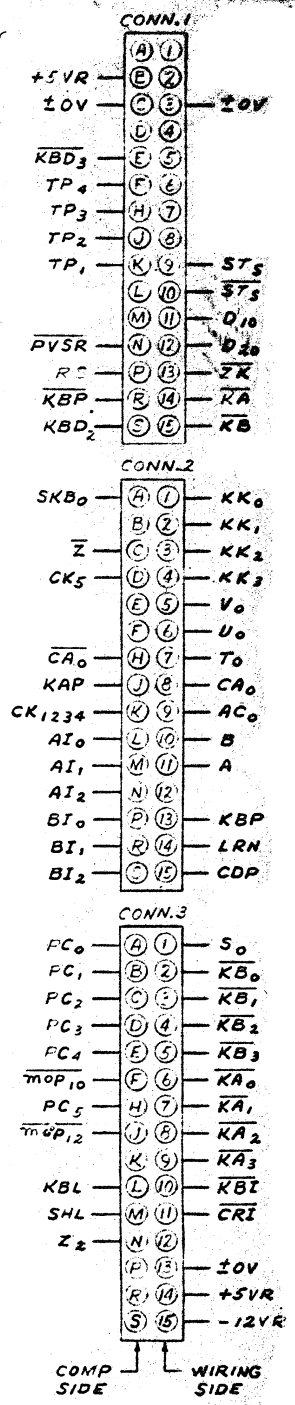


IDENT	QTY	NAME	MATERIAL	DESCRIPTION
		DR F.S.S.		DATE 4-10-71
		CHK. <i>D.V.</i>		DATE 5-28-71
		APPD. <i>S.K.H.</i>		DATE 4/24/71
MODEL No. 500		W.O. No.	SCALE	SHEET OF
TITLE SCHEMATIC LOGIBLOC #5965-1 TIMING UNIT & TAPE CKT.				
PART NUMBER		REV	SIZE	DRAWING NUMBER
				D 5965-1

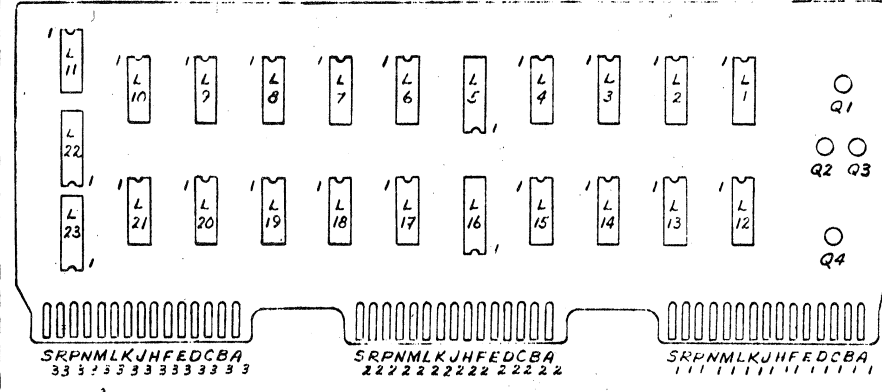
NO.	REVISION



SIGNAL TERMINAL DESIGNATIONS, VIEW FROM BOTTOM (WIRING) SIDE OF CONNECTOR



### COMPONENT LAYOUT 5966



**NOTE:**

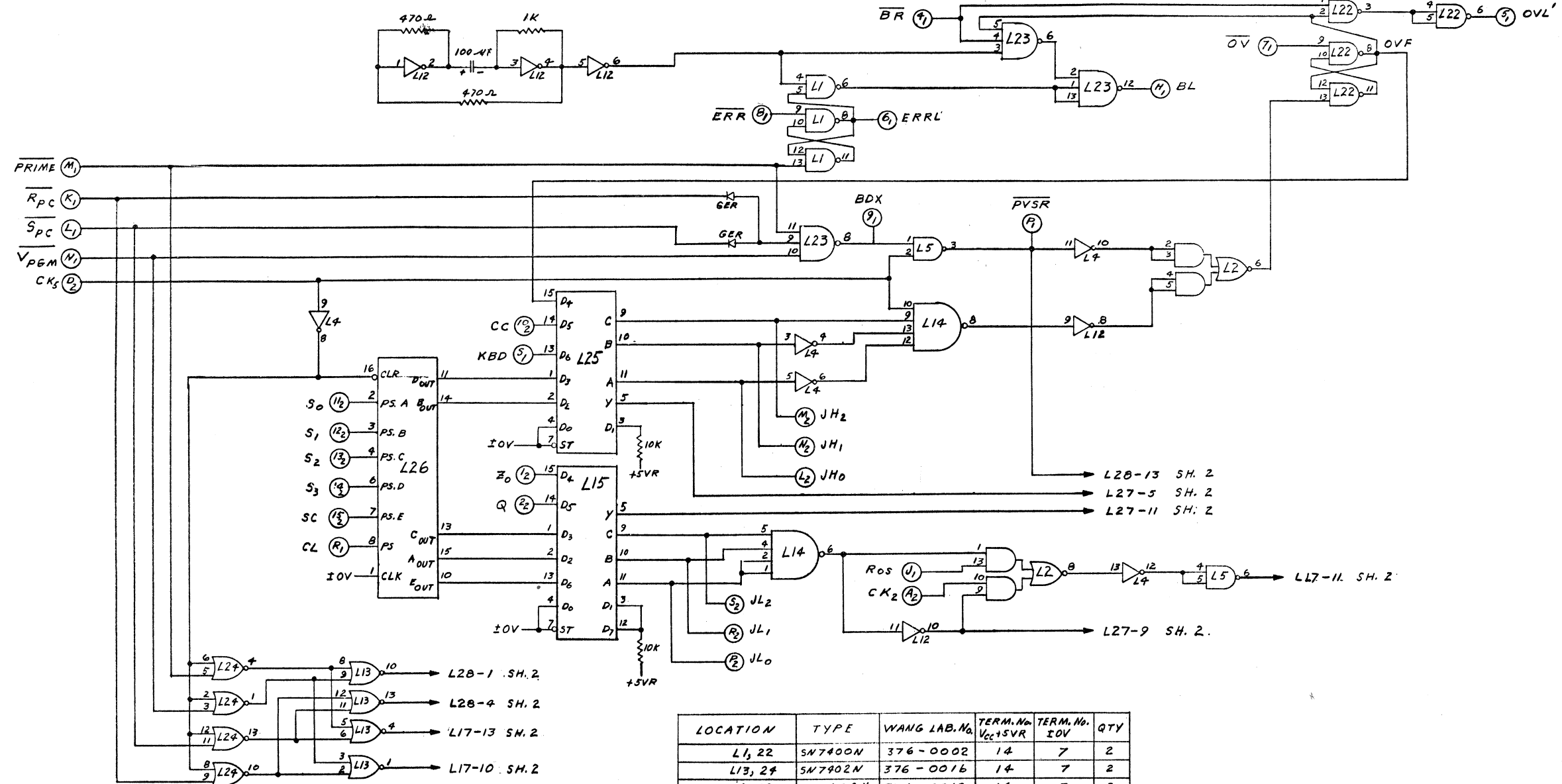
1. ALL RESISTORS ARE 1/4 W UNLESS OTHERWISE SPECIFIED.
2. ALL DIODE ARE SILICON W.L. \*380-1001 UNLESS OTHERWISE SPECIFIED. GERMANIUM ARE 380-0000.
3. Q1 THRU Q4 ARE 38360, W.L. \*375-1005.

I.C. LOCATION	TYPE	W.L. NO.	TERM FOR ±0V	TERM FOR VCC +5V	QTY.
L13,18,19	SN7400N	376-0002	7	14	3
L2	SN7402N	376-0016	7	14	1
L3,4,17	SN7404N	376-0010	7	14	3
L1,8	SN7410N	376-0003	7	14	2
L6	SN7451N	376-0012	7	14	1
L22,23	SN7494N	376-0064	12	5	2
L7,9,10,12,14,15,20,21	F9946	376-0023	7	14	8
L11	F9935	376-0025	7	14	1
L5,16	SN74151N	376-0047	8	16	2

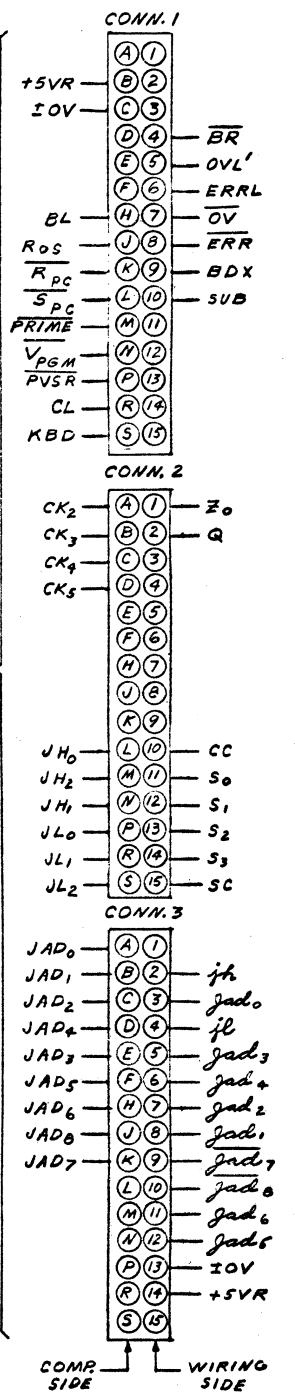
IDENT	QTY	NAME	MATERIAL	DESCRIPTION
<b>WANG LABORATORIES, INC.</b> TEWKSBURY, MASS. U. S. A.				
MODEL No.	500	W.O. No.	SCALE	SHEET OF
<b>TITLE</b> SCHEMATIC LOGIBLOC #5966-1 KA & KB REGISTER				
PART NUMBER	2	REV	D	5966-1
DRAWING NUMBER		DRAWING NUMBER		

NO.	REVISION	REVISION BY	DATE
1			
2			

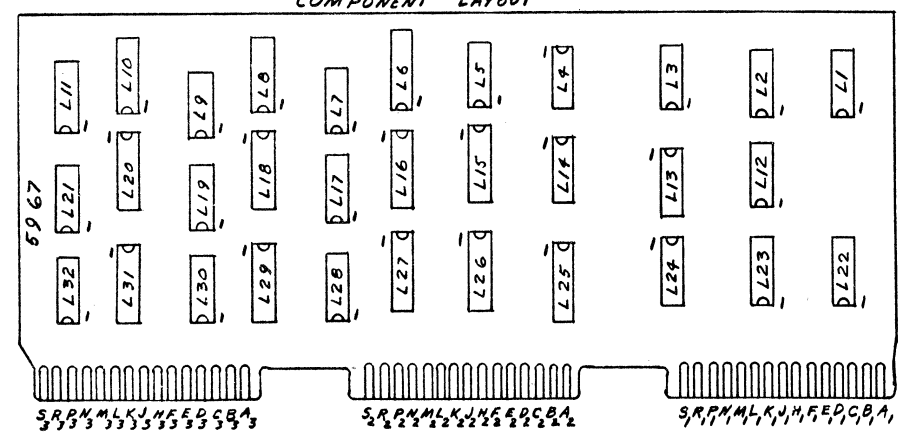
D 5966-1



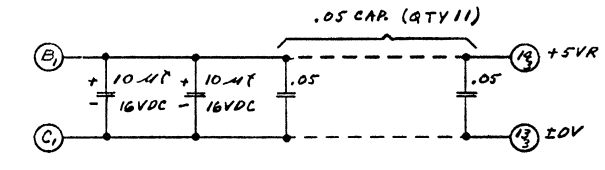
SIGNAL-TERMINAL DESIGNATIONS VIEW FROM BOTTOM (WIRING) SIDE OF CONNECTOR



COMPONENT LAYOUT



LOCATION	TYPE	WANG LAB. No.	TERM. No. V <sub>CC</sub> +5VR	TERM. No. IOV	QTY
L1, 22	SN7400N	376-0002	14	7	2
L13, 24	SN7402N	376-0016	14	7	2
L4, 12	SN7409N	376-0010	14	7	2
L23	SN7410N	376-0003	14	7	1
L14	SN7420N	376-0004	14	7	1
L2, 3	SN7451N	376-0012	14	7	2
L17, 18, 21, 28, 30, 32	SN7479N	376-0006	14	7	6
L6, 8, 10, 16, 18, 20	SN7475N	376-0013	5	12	6
L26	SN7496N	376-0065	5	12	1
L15, 25	SN74151N	376-0047	16	8	2
L7, 9, 11, 27, 29, 31	H0266B	376-0041	16	8	6

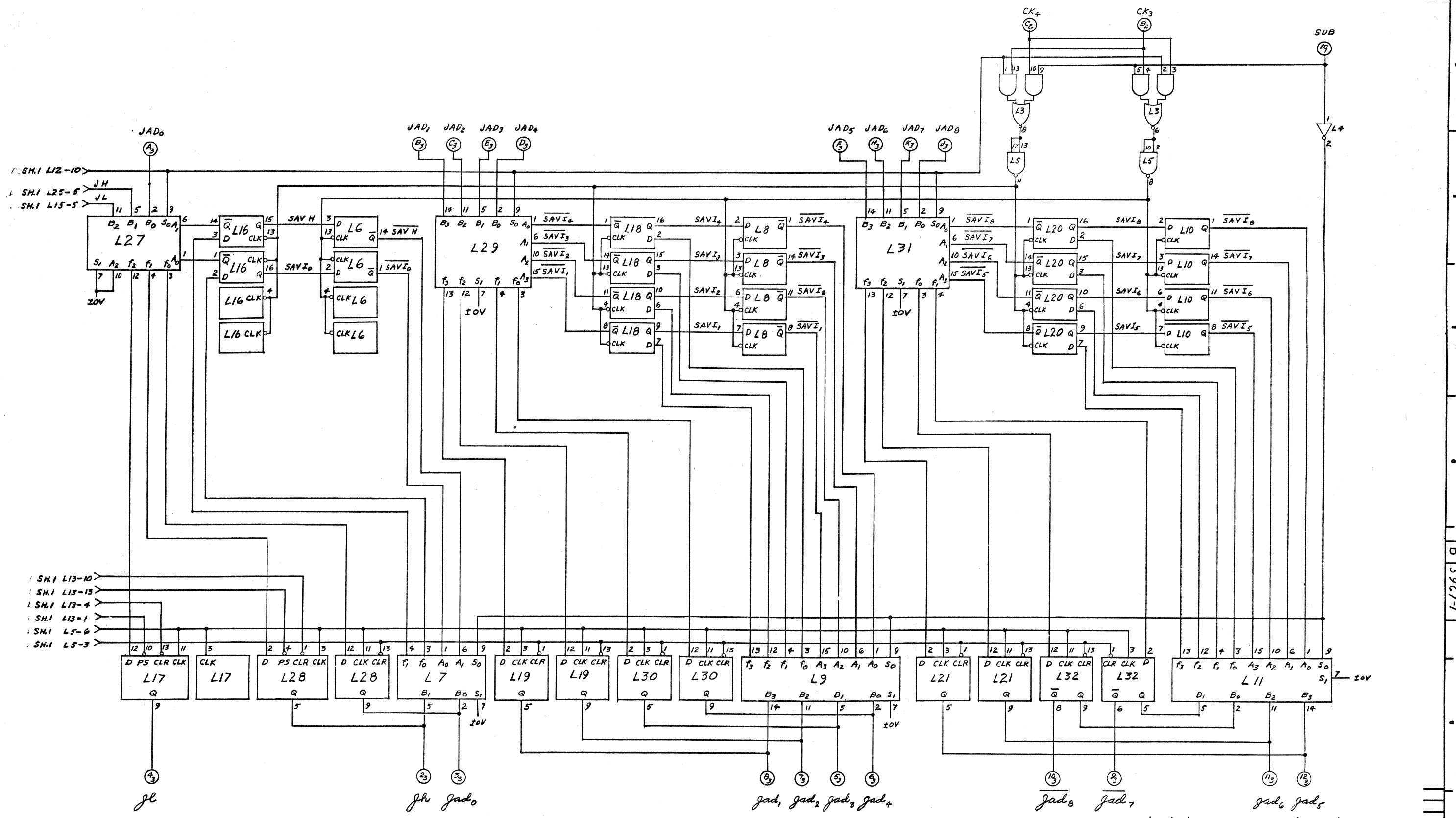


NOTE:  
 1. ALL DIODES ARE GER. WL380-0000 (QTY 2)  
 2. ALL RESISTORS ARE 1/4W

NO.	REVISION

IDENT	QTY	NAME	MATERIAL	DESCRIPTION
TOL. EX. AS NOTED		DR. <i>DR</i>	DATE <i>9/14/71</i>	
.XX ±.010 ANG. ±0°30'		CHK. <i>W</i>	DATE <i>5/28/71</i>	
.XXX ±.008 FRAC. ±1/64		APPD. <i>S. R. HO</i>	DATE <i>5/28/71</i>	
FINISH: <input checked="" type="checkbox"/>		MODEL No. <i>500</i>	W.O. No.	SCALE <i>4X</i> SHEET <i>1</i> OF <i>2</i>
TITLE: SCHEMATIC LOGIC BLOC, ROM ADD REG. # 5967				
PART NUMBER		REV. <i>D</i>	SIZE	DRAWING NUMBER

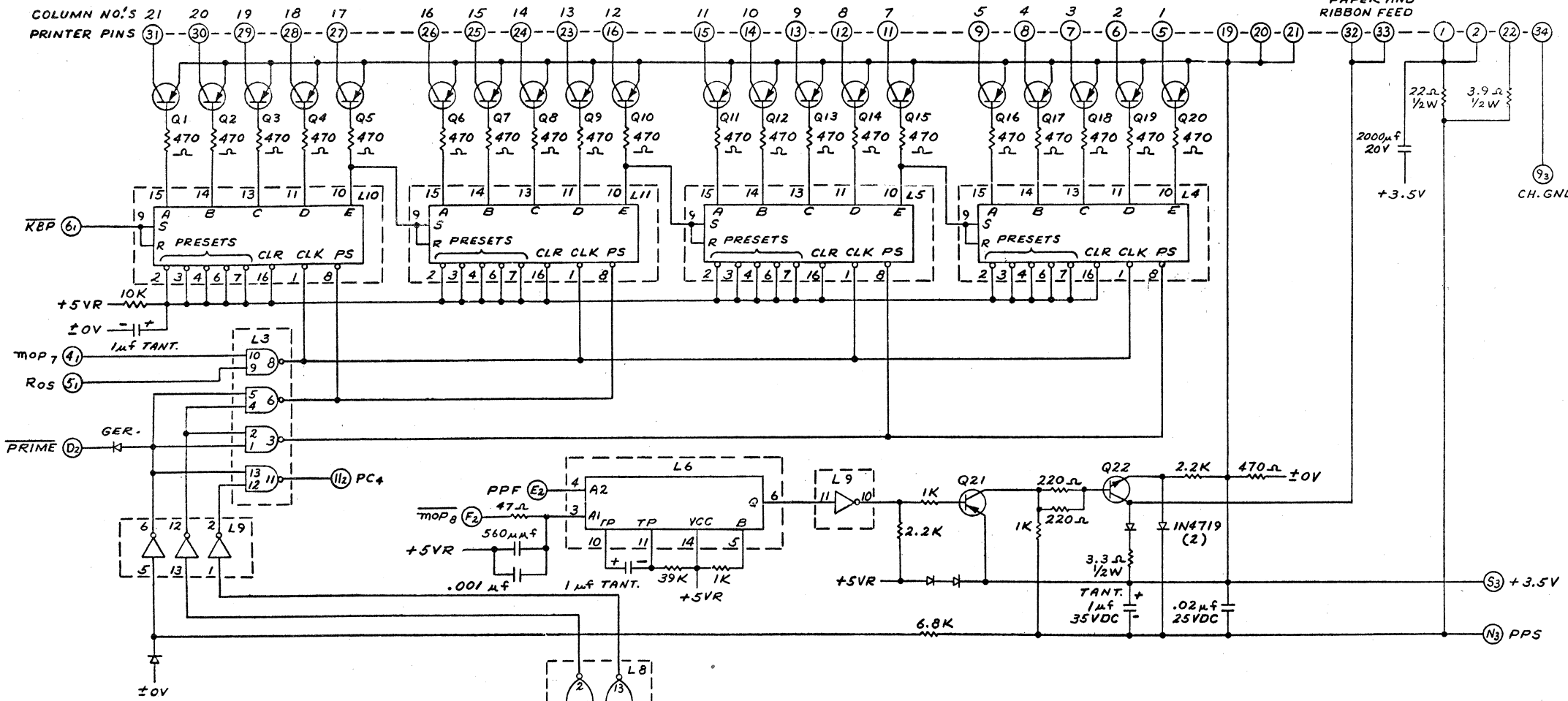
DO NOT SCALE



NO.
REVISION
DATE
BY

TOL. EX. AS NOTED	IDENT	QTY	NAME	MATERIAL	DESCRIPTION
.XX ±.010	DR	SB	WANG LABORATORIES, INC.		DATE 4/14/71
.XXX ±.003	CHK	SW	TEWKSBURY, MASS. U. S. A.		DATE 5/10/71
FINISH	APPD	S.K.H.	MODEL No. 500	W.O. No.	SCALE 4/11 SHEET 2 OF 2
			TITLE SCHEMATIC LOGIBLOC, ROM ADD. REG. # 5967		
			D	5967-1	
			PART NUMBER	REV	SIZE
					DRAWING NUMBER

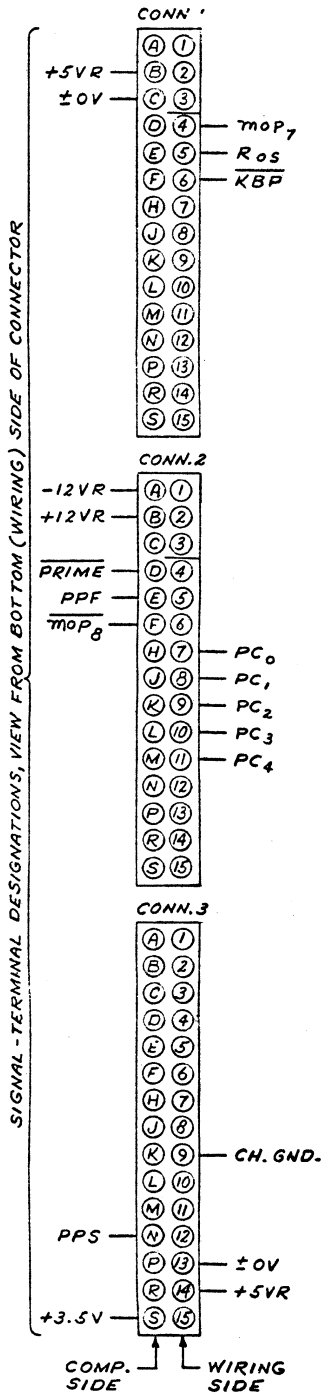
D 5967-1



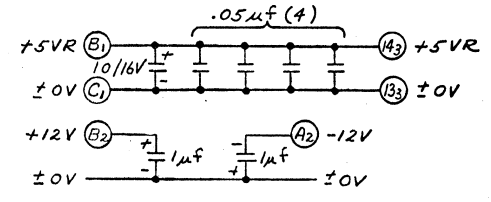
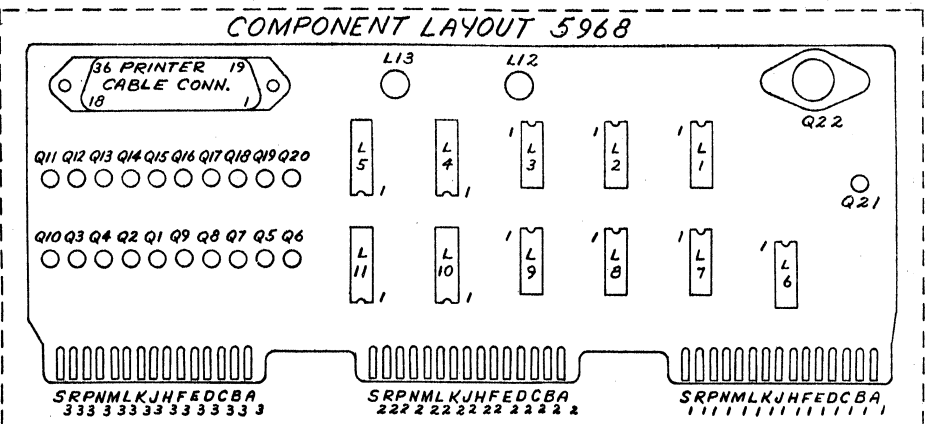
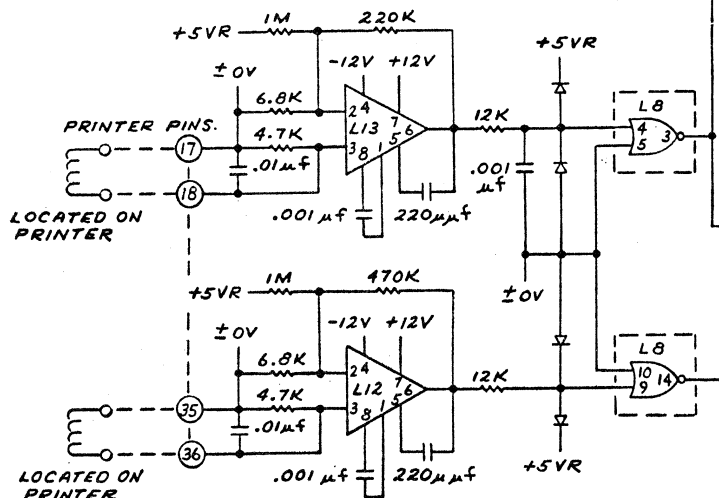
I.C. LOCATION	TYPE	W.L. NO.	TERM FOR ±0V	TERM FOR VCC +5VR	QTY.
L8	380A	376-0061	1	8	1
L12,13	709C	376-0000			2
L3	SN7400N	376-0002	7	14	1
L2	SN7473N	376-0005	11	4	1
L1	SN7493N	376-0011	10	5	1
L4,5,10,11	SN7496N	376-0065	12	5	4
L9	F9936	376-0026	7	14	1
L6,7	SN74121N	376-0051	7	14	2

COMPONENT	TYPE	W.L. NO.	QTY.
Q1 THRU Q21	GT544	375-1017	21
Q22	40250	375-1022	1

NOTE:  
ALL RESISTORS ARE 1/4W UNLESS OTHERWISE SPECIFIED.  
ALL DIODES ARE SILICON W.L.#380-1001 UNLESS OTHERWISE SPECIFIED.

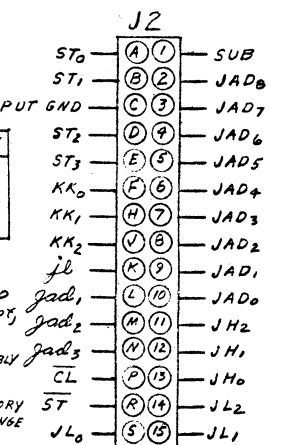
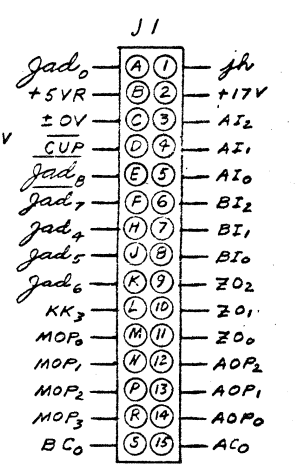
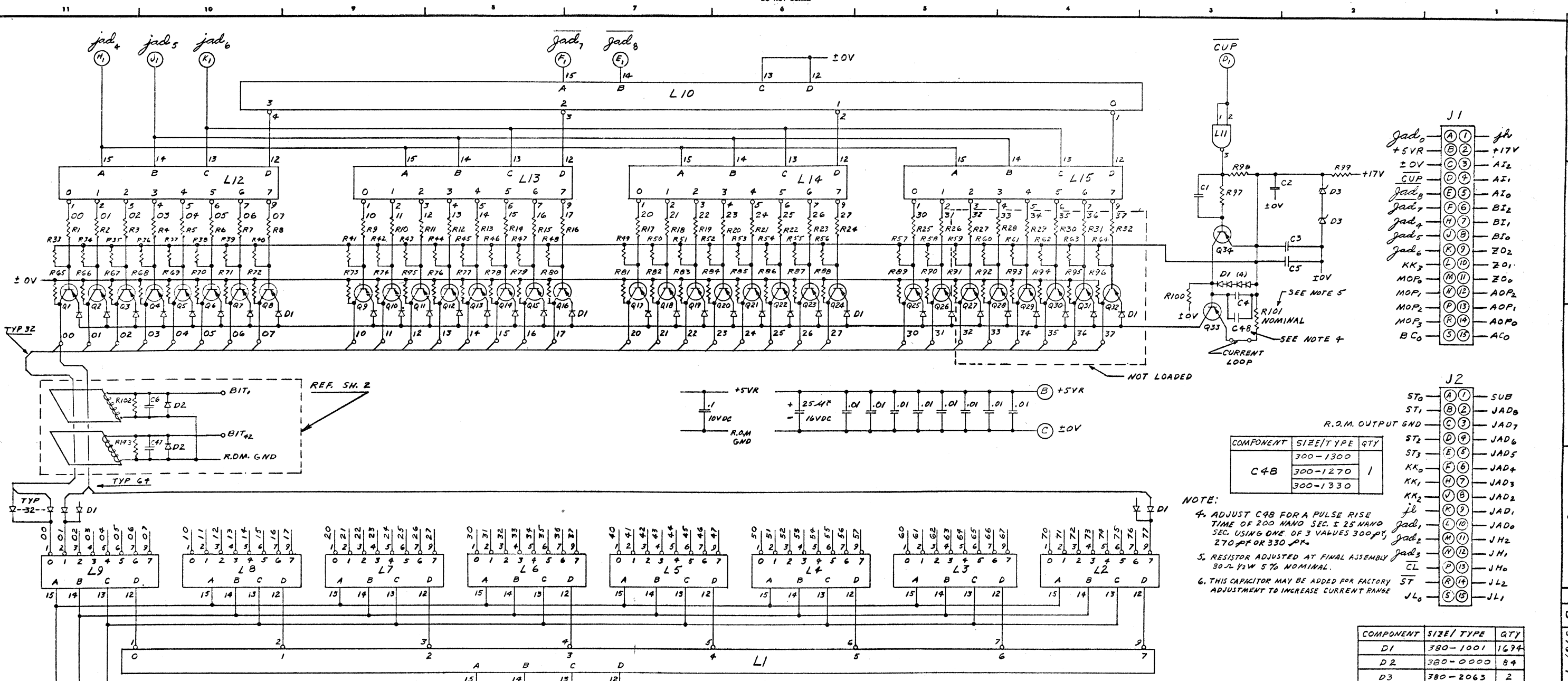


SIGNAL - TERMINAL DESIGNATIONS, VIEW FROM BOTTOM (WIRING) SIDE OF CONNECTOR



REVISION	BY	DATE	DESCRIPTION
1	REVISED PER E.C.#2255	7/15/71	APP'D. RT
2	REVISED PER E.C.#2255	7/15/71	APP'D. RT
3	REVISED PER E.C.#2255	7/15/71	APP'D. RT
4	REVISED PER E.C.#2255	7/15/71	APP'D. RT
5	REVISED PER E.C.#2255	7/15/71	APP'D. RT
6	REVISED PER E.C.#2255	7/15/71	APP'D. RT

IDENT	QTY	NAME	MATERIAL	DESCRIPTION
<p>WANG LABORATORIES, INC. TEWKSBURY, MASS. U. S. A.</p>				
MODEL No. 500		W.O. No.	SCALE	SHEET OF
TITLE SCHEMATIC LOGIBLOC #5968-1 PRINTER BOARD FOR MOD.500				
PART NUMBER		REV	SIZE	DRAWING NUMBER
		6	D	5968-1



COMPONENT	SIZE/TYPE	QTY
C4B	300-1300	1
	300-1270	
	300-1330	

NOTE:  
 4. ADJUST C4B FOR A PULSE RISE TIME OF 200 NANO SEC. ± 25 NANO SEC. USING ONE OF 3 VALUES 300PF, 270PF OR 330PF.  
 5. RESISTOR ADJUSTED AT FINAL ASSEMBLY 30.2 1/2W 5% NOMINAL.  
 6. THIS CAPACITOR MAY BE ADDED FOR FACTORY ADJUSTMENT TO INCREASE CURRENT RANGE

COMPONENT	SIZE/TYPE	QTY
D1	380-1001	1674
D2	380-0000	84
D3	380-2063	2
Q1 THRU Q33	375-1017	33
Q34	375-1003	1
R1 THRU R4, R97, 98	1K	66
R65 THRU R96	1.5K	32
R99	33.2 1W	1
R100	470.2 1/2W	1
R101	30.2 1/2W	1
R102 THRU R143	3.9K	42
C1	.001 MF	1
C2	100 MF 25VDC	1
C3	.1 MF 20VDC	1
C4	.0015 MF NYLAR	1
C5	25 MF 16VDC	1
C6 THRU C97	56PF CER.	A/R
C98	.001 MF	1

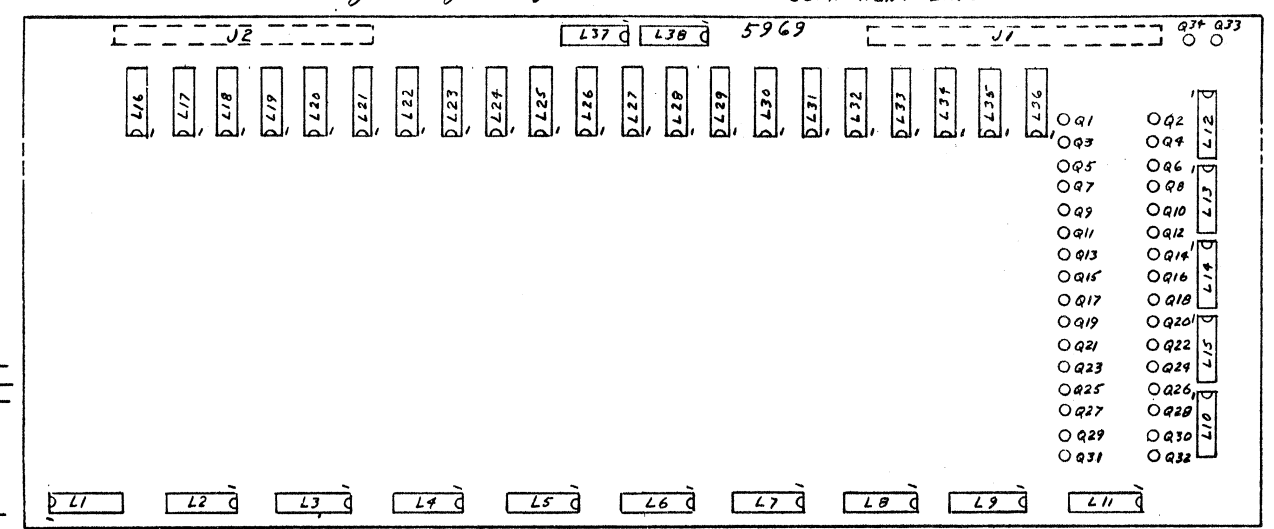
LOCATION	TYPE	WANG LAB. No.	TERM. No. Vcc +5V	TERM. No. ±0V	QTY
L1, 10	SN7442N	376-0008	16	B	2
L2, 3, 4, 5, 6, 7, 8, 9, 12, 13, 14, 15	SN7414N	376-0069	16	B	12
L11	SN7426N	376-0067	14	7	1
L16 THRU L36	SP380A	376-0061	B	1	21

NOTE  
 1. ALL RESISTORS ARE 1/4W EXCEPT AS NOTED  
 2. DRIVING STAGES ARE LOADED THRU ADDRESS 31 ONLY  
 3. THESE CAPACITORS MAY BE ADDED FOR FACTORY ADJUSTMENT METHOD TO ELIMINATE NOISY BITS AS DETERMINED BY FINAL TEST  
 MODEL - 500, 520, 600, 1200  
 PART No. 510-5969/510-5969A

jl jh jad0

jad1 jad2 jad3

COMPONENT LAYOUT

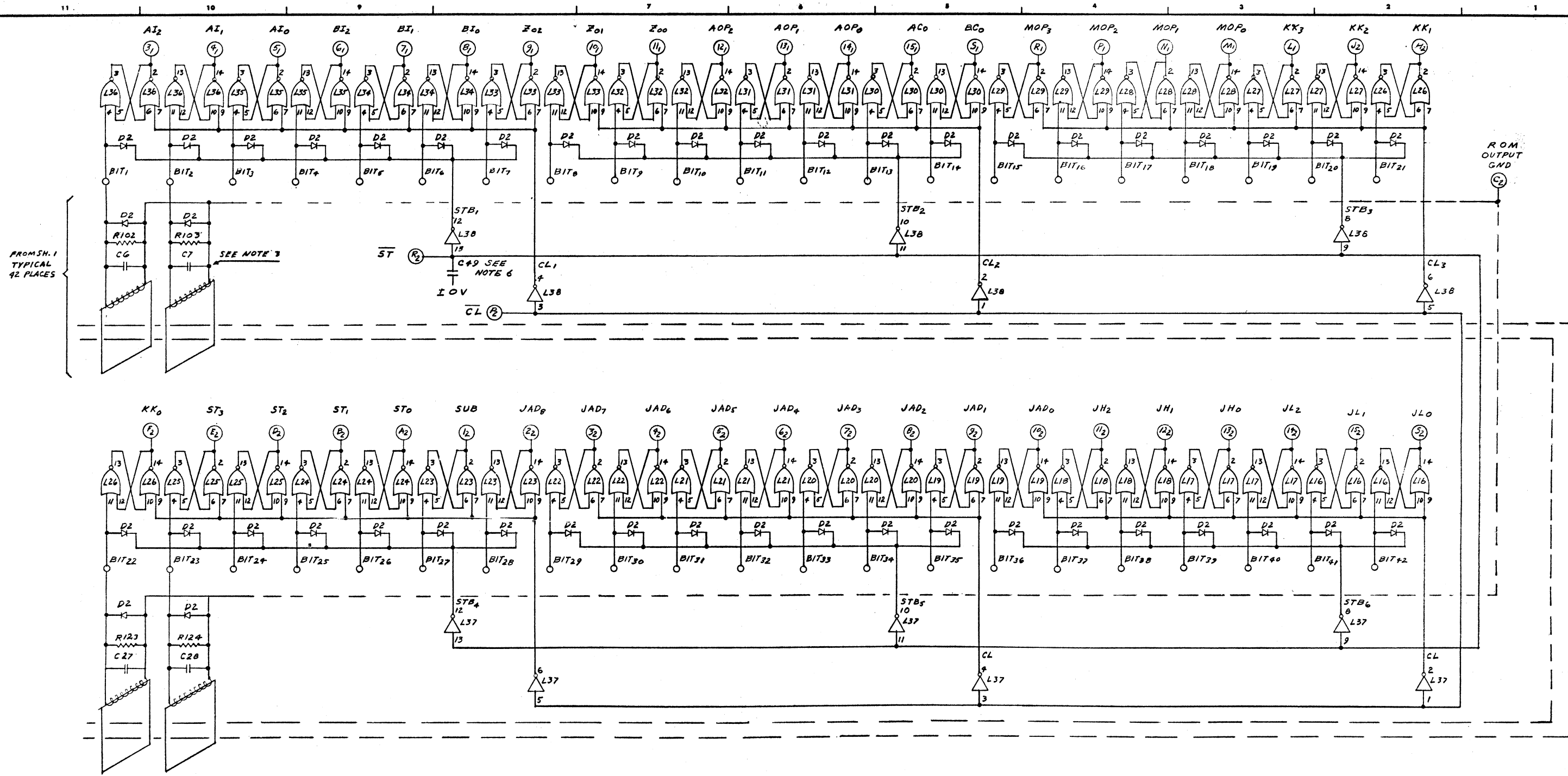


NO.	REVISION	BY	DATE	DESCRIPTION
1	PER EN297 ADDED TO P. C98'S AND NOTE 3 APP. RTT	gs	6/17/71	
2	PER EN232 L1, 3, 4, 5, 6, 7, 8, 9, 12, 13, 14, 15 376-0032 APP. -SCH	gs	9/10/71	
3	PER EN293 ADDED C98 C98 APP. -SCH	gs	5/9/72	

IDENT	QTY	NAME	MATERIAL	DESCRIPTION
		WANG LABORATORIES, INC.		
		MODEL No. 500	W.O. No.	SCALE 1/1
		TITLE		SHEET 1 OF 2
		SCHMATIC LOGIBLOC, R.O.M. DECODER & DRIVER #5969		
		PART NUMBER	REV	SIZE
		5 D	5969-1	DRAWING NUMBER

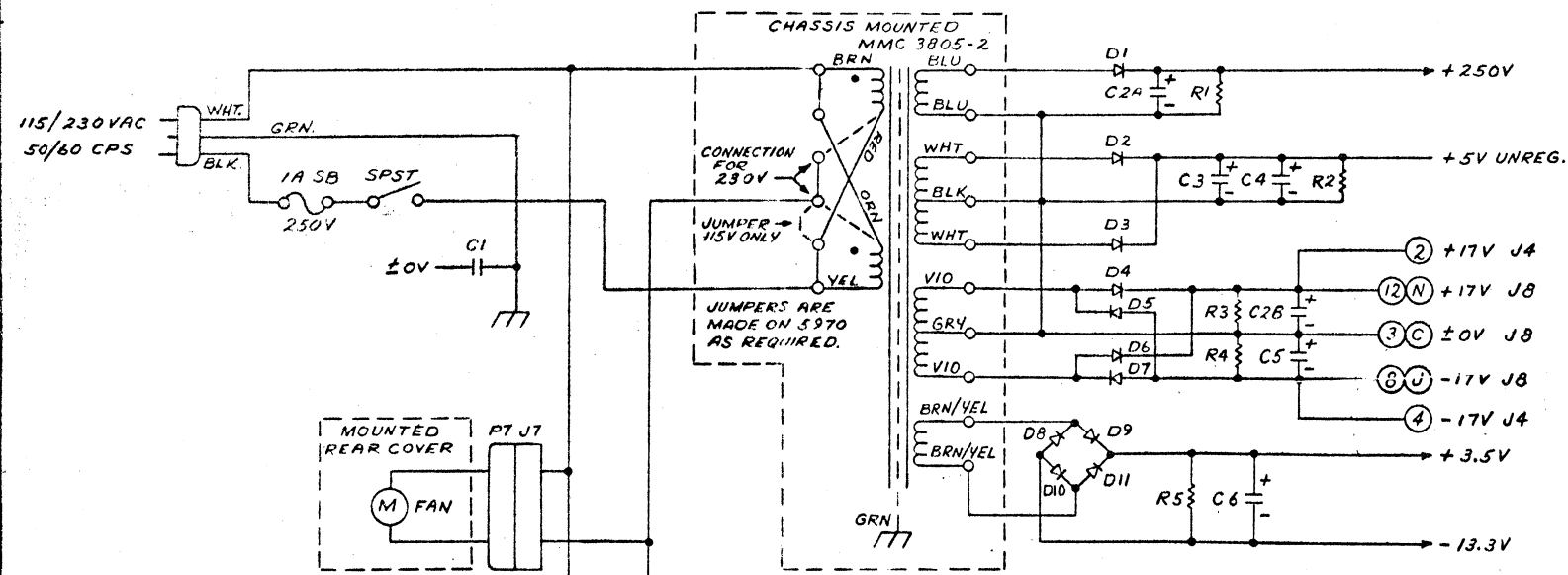
D 1-6765

DO NOT SCALE



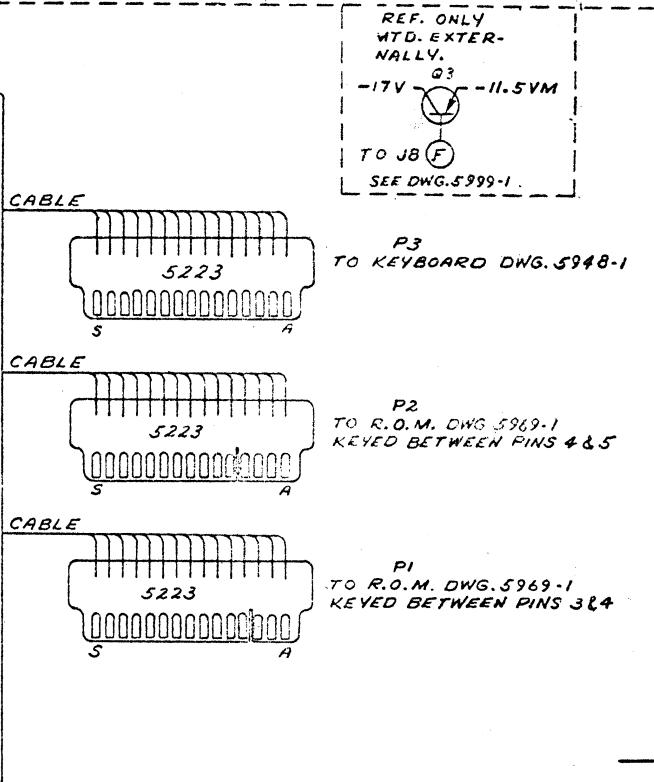
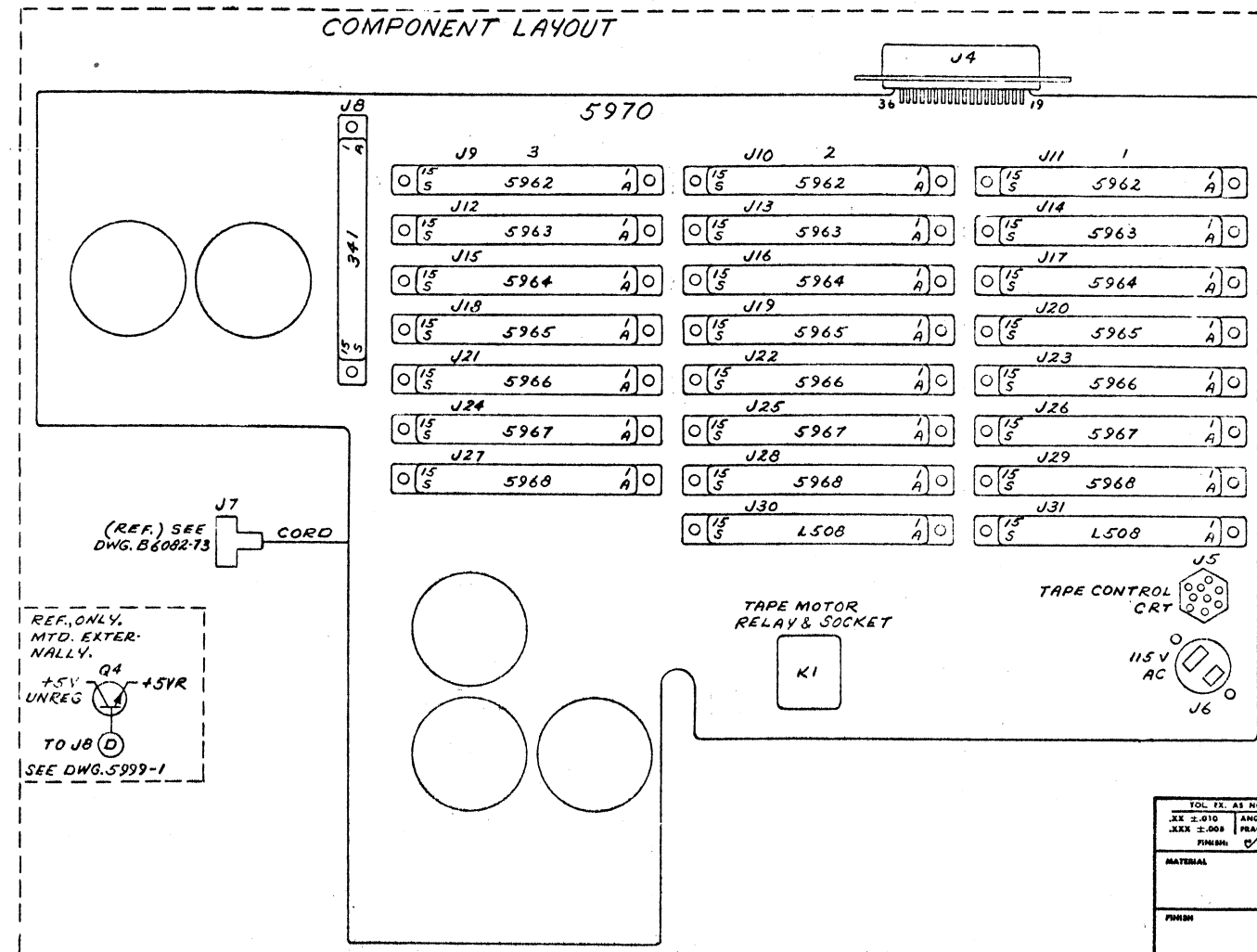
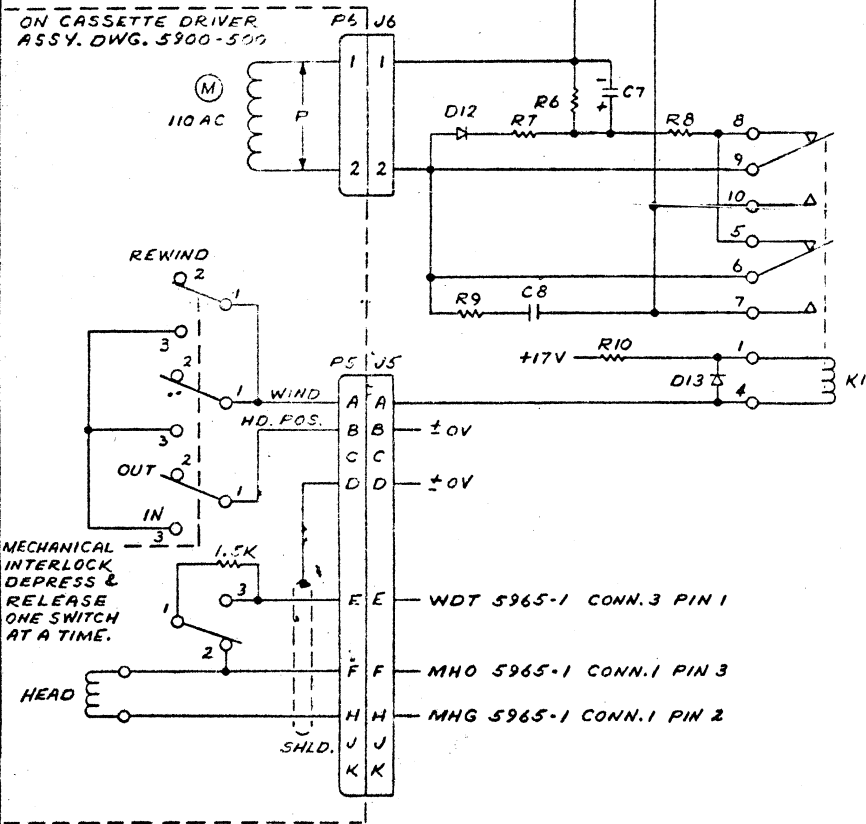
BY	SP	SP
DATE	5/29/72	6/30/72
REVISION	PER ICU #2988 ADDED C59 .001 - F APP JCH	PER KENSON ADDED NOTE 5 APP JCH
NO	4	5

TOL. EX. AS NOTED XX ±.010 ANG. 20°±30° XXX ±.005 FIN. 21/44		IDENT	QTY	NAME	MATERIAL	DESCRIPTION
FINISH		DR	50	WANG LABORATORIES, INC.		DATE 4/23/71
MATERIAL		CHK	1/11	TEWKSBURY, MASS. U. S. A.		DATE 5/11/71
FINISH		APPD	5/14	MODEL No. 500	W.O. No.	DATE 5/16/71
		SCALE		SHEET 2 OF 2		
TITLE		SCHEMATIC LOGICLOC, R.O.M. DECODER & DRIVER #5969				
PART NUMBER	5 D	REV		DRAWING NUMBER		
		SIZE		5969-1		



COMPONENT	SIZE, TYPE	W.L. NO.	QTY
R1	270K 1/2W	331-5027	1
R2,3,4,5	10K 1/4W	330-4010	4
R6	820Ω 1W	332-2082	1
R7	5.6K 1W	332-3056	1
R8	47Ω 1/2W	331-1047	1
R9	100Ω 1/4W	330-2010	1
R10	82Ω 1W	332-1082	1
C1	.47/400 VDC	300-2347	1
C2A	.30/350 VDC	300-3018	1
C2B	3000/20VDC	300-3018	1
C3,4	14000/12 VDC	300-3045	2
C5,6	6000/20VDC	300-3019	2
C7	500/25 VDC	300-3021	1
C8	.1μF 100 VDC	300-2410	1
D1	1N3255	380-3001	1
D2,3,4,5,6,7,8,9,10,11	1N4719	380-3002	10
D12,13	EM403	380-4000	2
K1	SIGMA 62R2-12DC	320-0042	1

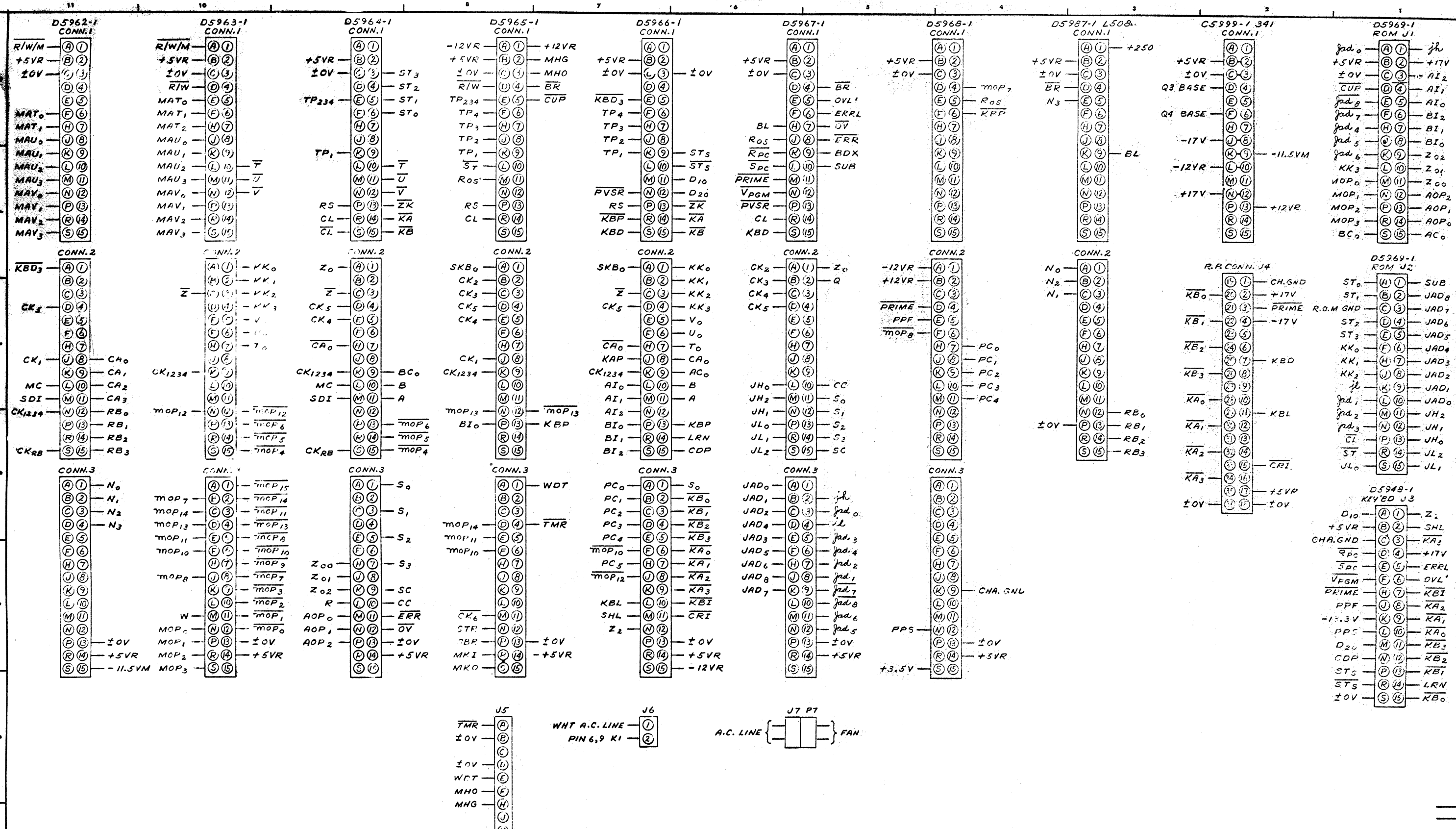
PART	SIZE, TYPE	W.L. NO.	QTY
SOCKET	K1, AD-41	341-0018	1
PI,2,3	5223	510-5223	3
J4	57-40360 AMP.	350-1038	1
J5	126-221 AMP.	350-1003	1
J6	302-AB CINCH JONES	654-1110	1
J7	16415 ROTRON CORD	420-1005	1
J8 TO J31	225-21521-110 AMP.	350-0011	24
RIVETS, J6	1/8 DIA. x 3/16 LG, POP	651-0401	2



NO.	REVISION	BY	DATE	DESCRIPTION
1	REVISED PER E.C. # 223	C.S.	11/15/68	REVISED PER E.C. # 223
2	REVISED PER APP'D. # 171	C.S.	11/15/68	REVISED PER APP'D. # 171
3	REVISED PER E.C. # 242	C.S.	11/15/68	REVISED PER E.C. # 242
4	REVISED PER APP'D. # 171	C.S.	11/15/68	REVISED PER APP'D. # 171

IDENT	QTY	NAME	MATERIAL	DESCRIPTION
<b>WANG LABORATORIES, INC.</b> TEWKSBURY, MASS. U. S. A.				
MODEL No.	500	W.O. No.		SCALE
TITLE MOTHER BOARD & POWER SUPPLY FOR MODEL 500				
PART NUMBER	4 D	REV	SIZE	DRAWING NUMBER
				5970-1



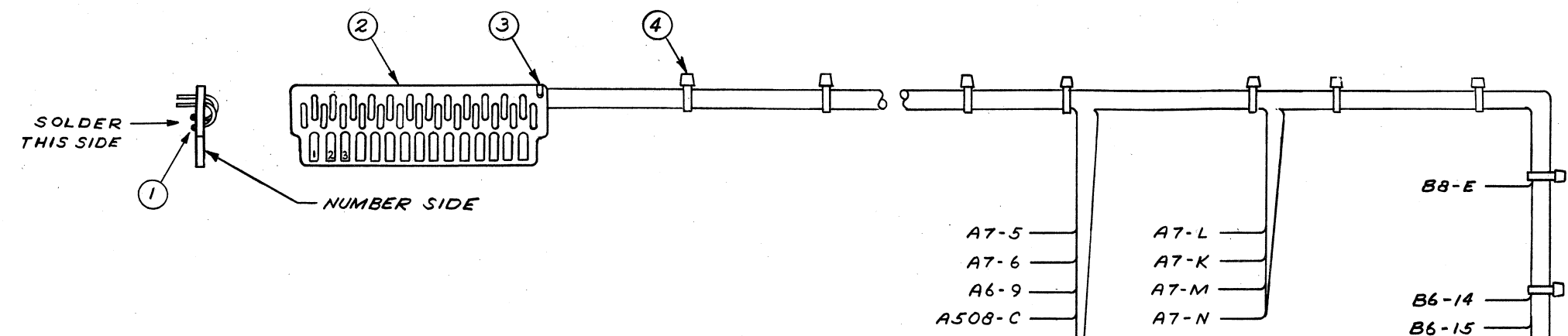


REVISION	NO.

IDENT	QTY	NAME	MATERIAL	DESCRIPTION
<p>WANG LABORATORIES, INC.                      YEWKSURRY, MASS. U. S. A.</p>				
MODEL No. 500		W.O. No.	SCALE	SHEET 2 OF 2
TITLE MOTHER BOARD & POWER SUPPLY FOR MODEL 500				
PART NUMBER		REV	SIZE	DRAWING NUMBER
		4	D	5970-1

D 5970-1

REVISIONS  
 REVISED PER  
 E.C.#2454 F.S.S  
 9-29-71 APPD. SKH



SIGNAL	COLOR CODE	WIRE LENGTH	WIRE NO.	FROM 5223 PIN NO.	TO 5970 PIN NO.	W.L. NO. 26 GA.
Z <sub>2</sub>	BROWN	25"	1	1	C6-N	600-3001
SHL	PINK	24 1/2"	22	2	C6-M	600-3022
KA <sub>3</sub>	ORANGE	24 1/8"	3	3	C6-9	600-3003
+17V	WHT/RED	28 1/8"	92	4	341-12	600-3092
ERRL	YELLOW	16 5/8"	4	5	A7-6	600-3004
OVL	GREEN	16 3/8"	5	6	A7-5	600-3005
KBI	BLUE	25 5/8"	6	7	C6-10	600-3006
KA <sub>2</sub>	VIOLET	24"	7	8	C6-8	600-3007
KA <sub>1</sub>	GRAY	23"	8	9	C6-7	600-3008
KA <sub>0</sub>	WHT/BRN	22 3/4"	91	10	C6-6	600-3091
KB <sub>3</sub>	WHT/ORN	22 7/8"	93	11	C6-5	600-3093
KB <sub>2</sub>	WHT/YEL	22 1/4"	94	12	C6-4	600-3094
KB <sub>1</sub>	WHT/GRN	21 3/4"	95	13	C6-3	600-3095
LRN	VIO/BRN	20 1/2"	71	14	B6-14	600-3071
KB <sub>0</sub>	WHT/BLU	21 1/4"	96	15	C6-2	600-3096
D <sub>10</sub>	GRY/BLK	18 1/4"	80	A	A6-11	600-3080
+5VR	RED	19 1/4"	2	B	A2-B	600-3002
CHA.GND.	GRN/YEL	20 5/8"	54	C	CHA.GND.	600-3054
R <sub>PC</sub>	WHT/VIO	17 7/8"	97	D	A7-K	600-3097
S <sub>PC</sub>	WHT/GRY	17 1/8"	98	E	A7-L	600-3098
V <sub>PGM</sub>	WHT/BLK/BRN	17 5/8"	901	F	A7-N	600-3901
PRIME	WHT/BLK/RED	17 1/2"	902	H	A7-M	600-3902
PPF	WHT/BLK/ORN	20 1/4"	903	J	B8-E	600-3903
-13.3V	WHT/BLK/YEL	23 1/4"	904	K	-13.3V	600-3904
PPS	WHT/BLK/GRN	23 3/8"	905	L	C8-N	600-3905
D <sub>20</sub>	WHT/BLK/BLU	16 1/4"	906	M	A6-12	600-3906
CDP	GRY/RED	21 1/8"	82	N	B6-15	600-3082
ST <sub>S</sub>	WHT/BLK	15 7/8"	90	P	A6-9	600-3090
ST <sub>S</sub>	WHT/BLK/VIO	16 3/8"	907	R	A6-10	600-3907
±OV	WHT/BLK/GRY	15 3/8"	908	S	A508-C	600-3908

ITEM	DESCRIPTION	W.L. NO.	QTY.
1	SOLDER 63-37	660-0202	A/R
2	P.C. BD. 5223	510-5223	1
3	LACING, BLK.	605-1001	A/R
4	CABLE-TYE	605-1004	A/R

**WANG LABORATORIES INC.**  
 TEWKSBURY, MASS.

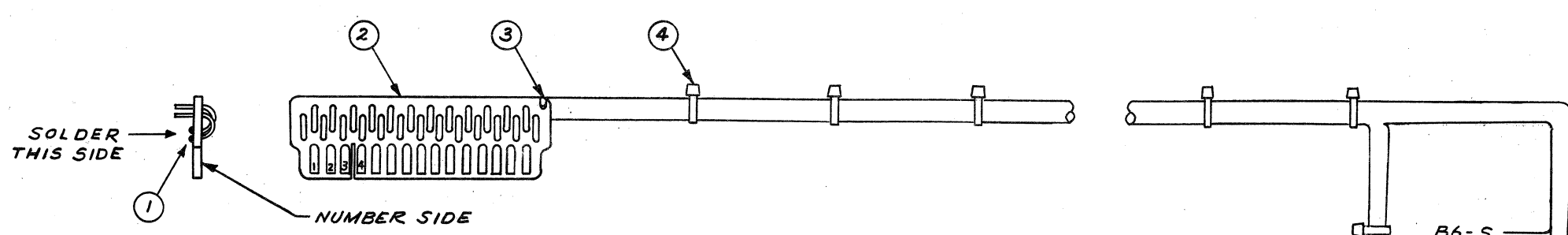
MODEL NO. 500  
 DRAWN F.S.S. 6-15-71  
 APP. SKH  
 6/29/71

CHECKED [Signature] 6/24/71  
 APP.

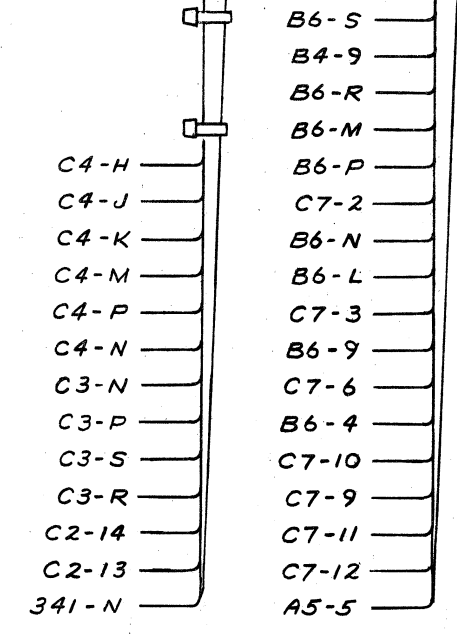
TITLE  
 KEYBOARD CONNECTOR CABLE

W.O. NO. 220-0053  
 DWG. NO. 5970-2  
 REV. 1

REVISIONS



SIGNAL	COLOR CODE	WIRE LENGTH	WIRE NO.	FROM 5223 PIN NO.	TO 5970 PIN NO.	W.L. NO. 26 GA.
<i>jh</i>	BROWN	16 <sup>5</sup> / <sub>8</sub>	1	1	C7-2	600-3001
+1TV	WHT/RED	20 <sup>1</sup> / <sub>8</sub>	92	2	341-N	600-3092
AI <sub>2</sub>	ORANGE	16 <sup>1</sup> / <sub>4</sub>	3	3	B6-N	600-3003
AI <sub>1</sub>	YELLOW	16	4	4	B6-M	600-3004
AI <sub>0</sub>	GREEN	16 <sup>1</sup> / <sub>4</sub>	5	5	B6-L	600-3005
BI <sub>2</sub>	BLUE	14 <sup>7</sup> / <sub>8</sub>	6	6	B6-S	600-3006
BI <sub>1</sub>	VIOLET	15	7	7	B6-R	600-3007
BI <sub>0</sub>	GRAY	15 <sup>1</sup> / <sub>8</sub>	8	8	B6-P	600-3008
Z <sub>02</sub>	WHT/BRN	15	91	9	C4-K	600-3091
Z <sub>01</sub>	WHT/ORN	14 <sup>3</sup> / <sub>4</sub>	93	10	C4-J	600-3093
Z <sub>00</sub>	WHT/YEL	14 <sup>1</sup> / <sub>8</sub>	94	11	C4-H	600-3094
AOP <sub>2</sub>	WHT/GRN	15 <sup>1</sup> / <sub>8</sub>	95	12	C4-P	600-3095
AOP <sub>1</sub>	WHT/BLU	14 <sup>3</sup> / <sub>4</sub>	96	13	C4-N	600-3096
AOP <sub>0</sub>	WHT/VIO	14 <sup>1</sup> / <sub>2</sub>	97	14	C4-M	600-3097
AC <sub>0</sub>	WHT/GRY	14	98	15	B6-9	600-3098
<i>Jad<sub>0</sub></i>	WHT/BLK/BRN	16 <sup>3</sup> / <sub>4</sub>	901	A	C7-3	600-3901
+5VR	RED	17 <sup>7</sup> / <sub>8</sub>	2	B	C2-14	600-3002
±0V	BLACK	17 <sup>3</sup> / <sub>8</sub>	10	C	C2-13	600-3000
<i>CUP</i>	WHT/BLK/RED	19 <sup>1</sup> / <sub>2</sub>	902	D	A5-5	600-3902
<i>Jad<sub>8</sub></i>	WHT/BLK/ORN	16 <sup>7</sup> / <sub>8</sub>	903	E	C7-10	600-3903
<i>Jad<sub>7</sub></i>	WHT/BLK/YEL	17	904	F	C7-9	600-3904
<i>Jad<sub>4</sub></i>	WHT/BLK/GRN	16 <sup>1</sup> / <sub>8</sub>	905	H	C7-6	600-3905
<i>Jad<sub>5</sub></i>	WHT/BLK/BLU	16 <sup>7</sup> / <sub>8</sub>	906	J	C7-12	600-3906
<i>Jad<sub>6</sub></i>	WHT/BLK/VIO	16	907	K	C7-11	600-3907
KK <sub>3</sub>	WHT/BLK/GRY	16 <sup>1</sup> / <sub>8</sub>	908	L	B6-4	600-3908
MOP <sub>0</sub>	VIO/BRN	15 <sup>3</sup> / <sub>8</sub>	71	M	C3-N	600-3071
MOP <sub>1</sub>	VIO/RED	16 <sup>3</sup> / <sub>8</sub>	72	N	C3-P	600-3072
MOP <sub>2</sub>	VIO/ORN	15 <sup>1</sup> / <sub>2</sub>	73	P	C3-R	600-3073
MOP <sub>3</sub>	VIO/YEL	15 <sup>1</sup> / <sub>4</sub>	74	R	C3-S	600-3074
BC <sub>0</sub>	VIO/GRN	13 <sup>3</sup> / <sub>4</sub>	75	S	B4-9	600-3075



ITEM	DESCRIPTION	W.L. NO.	QTY.
1	SOLDER 63-37	660-0202	A/R
2	P.C. BD. 5223	510-5223	1
3	LACING, BLK.	605-1001	A/R
4	CABLE-TYE	605-1004	A/R

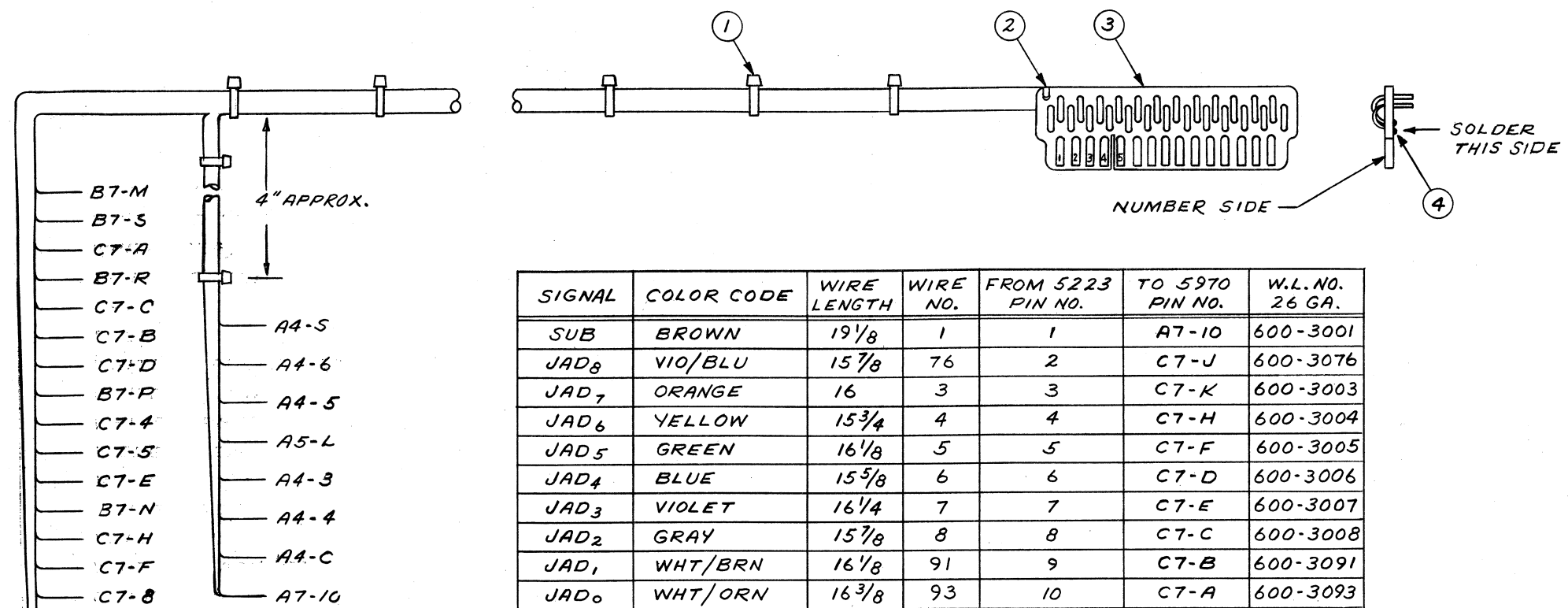
**WANG LABORATORIES INC.**  
TEWKSBURY, MASS.

MODEL NO.	DRAWN	ESS. 6-17-71	APP.	6/21/71
500	CHECKED	6/21/71	APP.	

TITLE  
ROM CONNECTOR CABLE (PI)

W.O. NO.	DWG. NO.	REV.
	C 5970-3	

5970-3 ON 9MG



SIGNAL	COLOR CODE	WIRE LENGTH	WIRE NO.	FROM 5223 PIN NO.	TO 5970 PIN NO.	W.L. NO. 26 GA.
SUB	BROWN	19 1/8	1	1	A7-10	600-3001
JAD <sub>8</sub>	VIO/BLU	15 7/8	76	2	C7-J	600-3076
JAD <sub>7</sub>	ORANGE	16	3	3	C7-K	600-3003
JAD <sub>6</sub>	YELLOW	15 3/4	4	4	C7-H	600-3004
JAD <sub>5</sub>	GREEN	16 1/8	5	5	C7-F	600-3005
JAD <sub>4</sub>	BLUE	15 5/8	6	6	C7-D	600-3006
JAD <sub>3</sub>	VIOLET	16 1/4	7	7	C7-E	600-3007
JAD <sub>2</sub>	GRAY	15 7/8	8	8	C7-C	600-3008
JAD <sub>1</sub>	WHT/BRN	16 1/8	91	9	C7-B	600-3091
JAD <sub>0</sub>	WHT/ORN	16 3/8	93	10	C7-A	600-3093
JH <sub>2</sub>	WHT/YEL	16 1/2	94	11	B7-M	600-3094
JH <sub>1</sub>	WHT/GRN	16 5/8	95	12	B7-N	600-3095
JH <sub>0</sub>	WHT/BLU	17 5/8	96	13	B7-L	600-3096
JL <sub>2</sub>	WHT/VIO	16 3/8	97	14	B7-S	600-3097
JL <sub>1</sub>	WHT/GRY	16 7/8	98	15	B7-R	600-3098
ST <sub>0</sub>	WHT/BLK/BRN	16 3/4	901	A	A4-6	600-3901
ST <sub>1</sub>	GRY/BRN	17 1/4	81	B	A4-5	600-3081
R.O.M. GND.	WHT/BLK	17 1/2	90	C	A4-C	600-3090
ST <sub>2</sub>	WHT/BLK/RED	17 7/8	902	D	A4-4	600-3902
ST <sub>3</sub>	WHT/BLK/ORN	18 1/8	903	E	A4-3	600-3903
KK <sub>0</sub>	WHT/BLK/YEL	17 1/4	904	F	B6-1	600-3904
KK <sub>1</sub>	WHT/BLK/GRN	17 1/4	905	H	B6-2	600-3905
KK <sub>2</sub>	WHT/BLK/BLU	17 1/4	906	J	B6-3	600-3906
jl	WHT/BLK/VIO	16 1/8	907	K	C7-4	600-3907
Jad <sub>1</sub>	WHT/BLK/GRY	16 7/8	908	L	C7-8	600-3908
Jad <sub>2</sub>	VIO/BRN	17 1/4	71	M	C7-7	600-3071
Jad <sub>3</sub>	VIO/RED	16 1/2	72	N	C7-5	600-3072
CL	VIO/ORN	18 3/8	73	P	A4-S	600-3073
ST	VIO/YEL	19 1/8	74	R	A5-L	600-3074
JL <sub>0</sub>	VIO/GRN	16 7/8	75	S	B7-P	600-3075

ITEM	DESCRIPTION	W.L. NO.	QTY.
1	CABLE-TYE	605-1004	A/R
2	LACING, BLK.	605-1001	A/R
3	P.C. BD. 5223	510-5223	1
4	SOLDER 63-37	660-0202	A/R

**WANG LABORATORIES INC.**  
TEWKSBURY, MASS.

MODEL NO. 500

DRAWN F.S.S. 6-19-71 APP. 3K #0 6/28/71

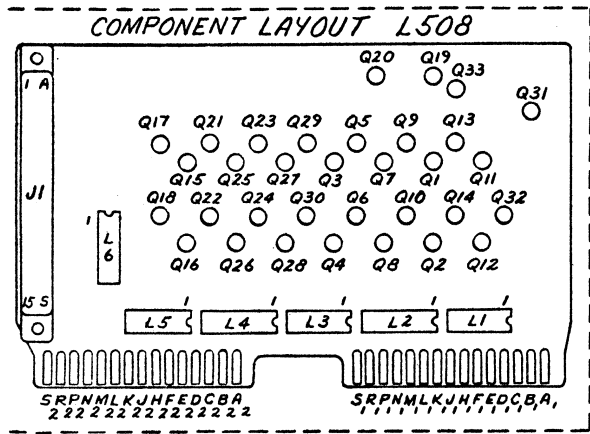
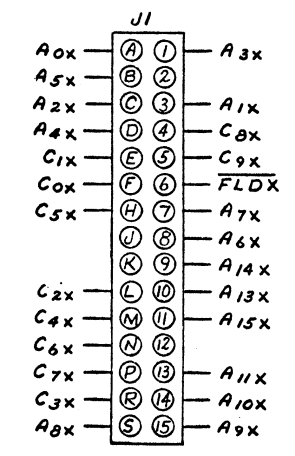
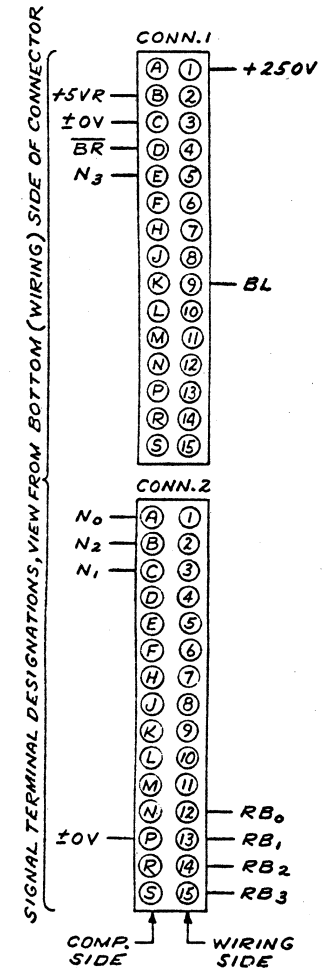
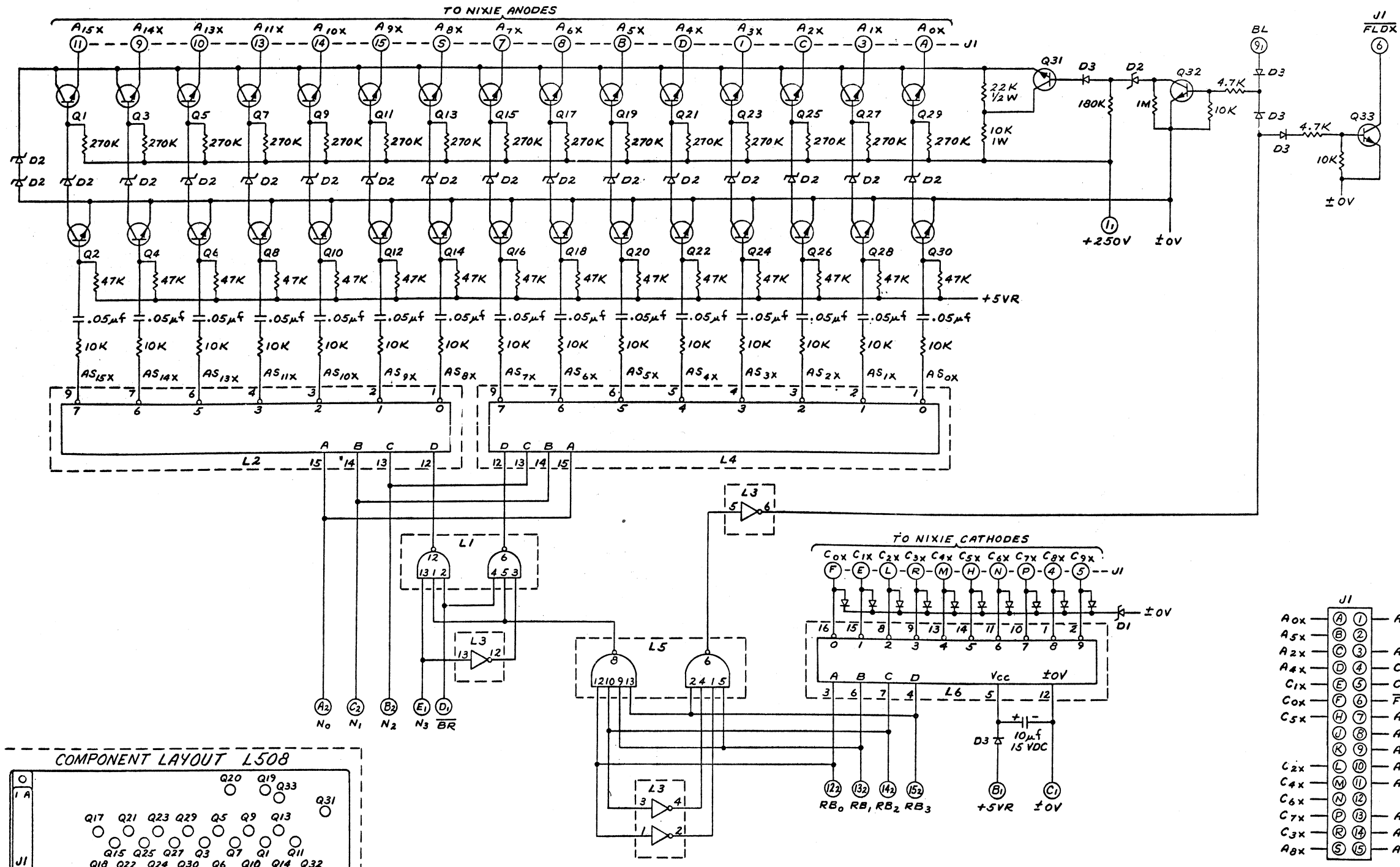
CHECKED [Signature] 6/28/71 APP.

TITLE ROM CONNECTOR CABLE (P2)

W.O. NO. C DWG. NO. 5970-4 REV.

ON 5970-4

DO NOT SCALE



I.C. LOCATION	TYPE	W.L. NO.	TERM FOR ±0V	TERM FOR VCC +5V	QTY.
L3	SN7404N	376-0010	7	14	1
L1	SN7410N	376-0003	7	14	1
L5	SN7420N	376-0004	7	14	1
L2,4	SN7442N	376-0008	8	16	2
L6	SN74141N	376-0063	12	5	1

COMPONENT	TYPE	W.L. NO.	QTY.
Q1 THRU Q33	NIX DR SIL	375-1006	33
D1	60V ZENER	380-2127	1
D2	110V ZENER	380-2125	18
D3	EM403	380-4000	15

NOTE: ALL RESISTORS UNLESS OTHERWISE SPECIFIED ARE 1/4 W.

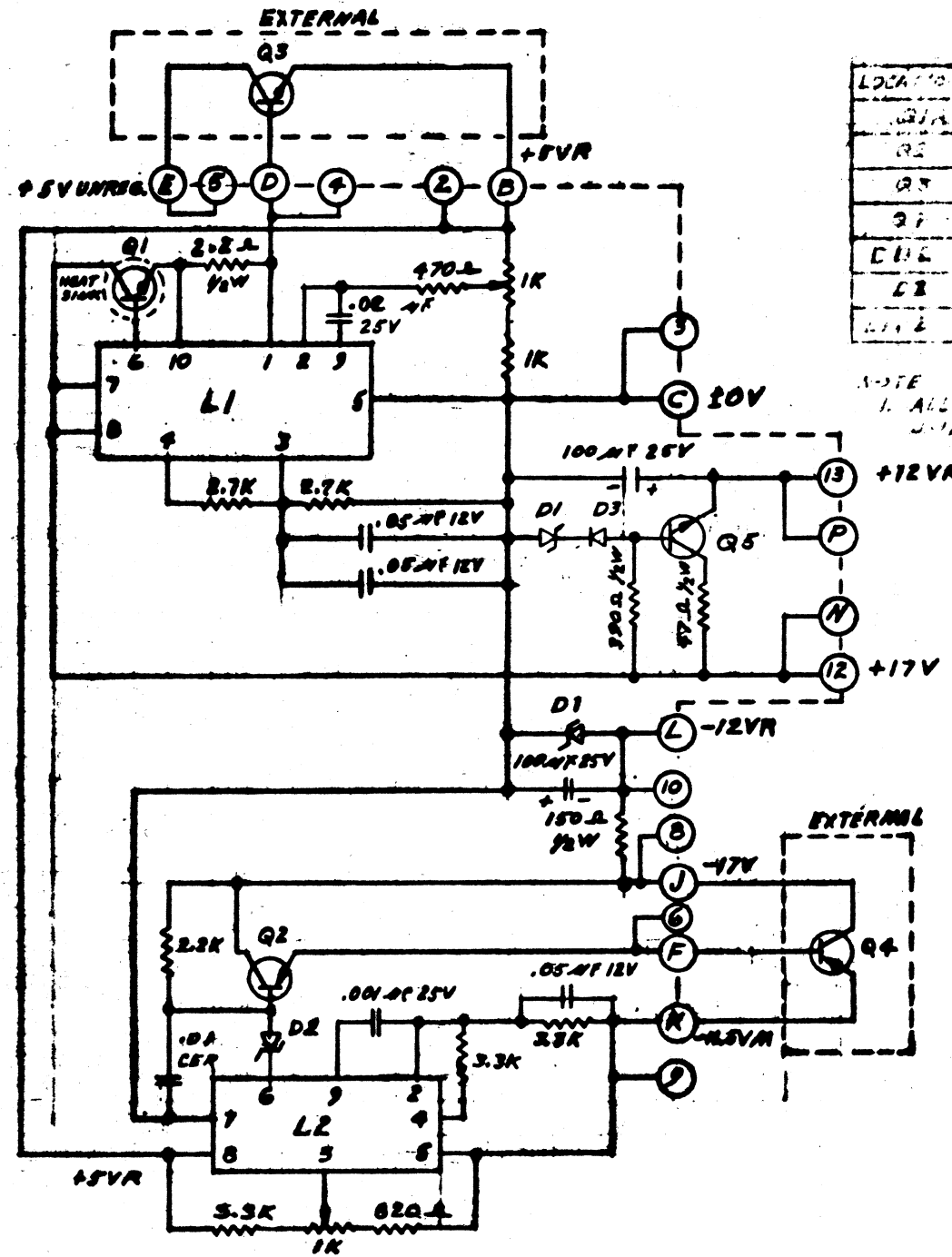
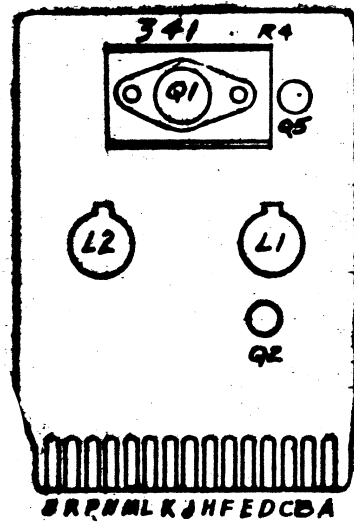
REV	BY	DATE	DESCRIPTION
1	W.S.	5/25/71	REVISED PER E.C. # 2455
2	W.S.	5/25/71	REVISED PER E.C. # 2556

IDENT	QTY	NAME	MATERIAL	DESCRIPTION
 <b>WANG LABORATORIES, INC.</b> TEWKSBURY, MASS. U. S. A.				
DR. F. S. S.		DATE 2-22-71		
CHK. S. K. H. D.		DATE 5/21/71		
APPD. S. K. H. D.		DATE 5/28/71		
MODEL No. 500		W.O. No.	SCALE	SHEET OF
TITLE SCHEMATIC LOGIBLOC # L508 NIXIE SWITCH CONTROL				
PART NUMBER		REV	SIZE	DRAWING NUMBER
		2	D	5987-1

D 5987-1

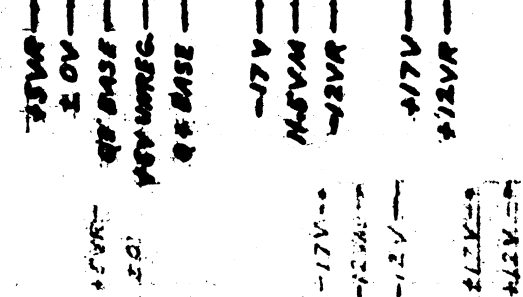
LOCATION	TYPE	WANGLAB. No.	QTY
Q1	40250VI	375-1028	1
Q2	67544	375-1017	1
Q3	40251	375-1008	1
Q4	2N6246	375-0029	1
D1	1N4742	380-2121	2
D2	1N749A	380-2042	1
L1,2	723	376-0066	2
D3	SIL DIODE	380-1001	1
Q5	35224	375-1001	1

NOTE:  
1. ALL RESISTORS ARE 1/4 W  
UNLESS SPECIFIED OTHERWISE.



NOTE:  
1. ALL RESISTORS ARE 1/4 W UNLESS SPECIFIED OTHERWISE.

LOCATION	WANG LAB. No.	QTY	REV	DATE	DESCRIPTION
Q1	375-1028	1	1	11/17/71	PER ECN #2625 Q1 WAS 40250 APP: - SKH
Q2	375-1017	1	2	1-25-72	PER ECN #2726 Q2 WAS 2N1540 APP: - SKH
Q3	375-1008	1	3	1-25-72	PER ECN #2835 Q3 WAS 40251 APP: - SKH
Q4	375-0029	1	4	1-25-72	PER ECN #2835 RESISTOR AT L1-3 WAS 4.7K APP: - SKH
D1,2	380-2121	2	5	1-25-72	PER ECN #3161 ADDED REG. CIRCUIT TO +12V APP: - SKH
L1,2	376-0066	2	6	1-25-72	PER ECN #3563 ADDED REG. CIRCUIT TO +12V APP: - SKH
			7	1-25-72	REVISED PER ECN #3673 APP: D. SKH
			8	1-25-72	REVISED PER ECN #3571 APP: SKH
			9	1-25-72	REVISED PER ECN #271, #274 APP: SKH

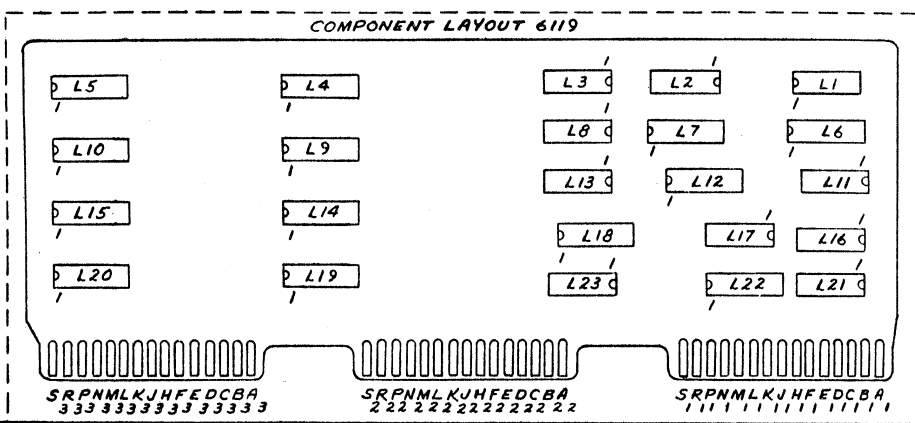
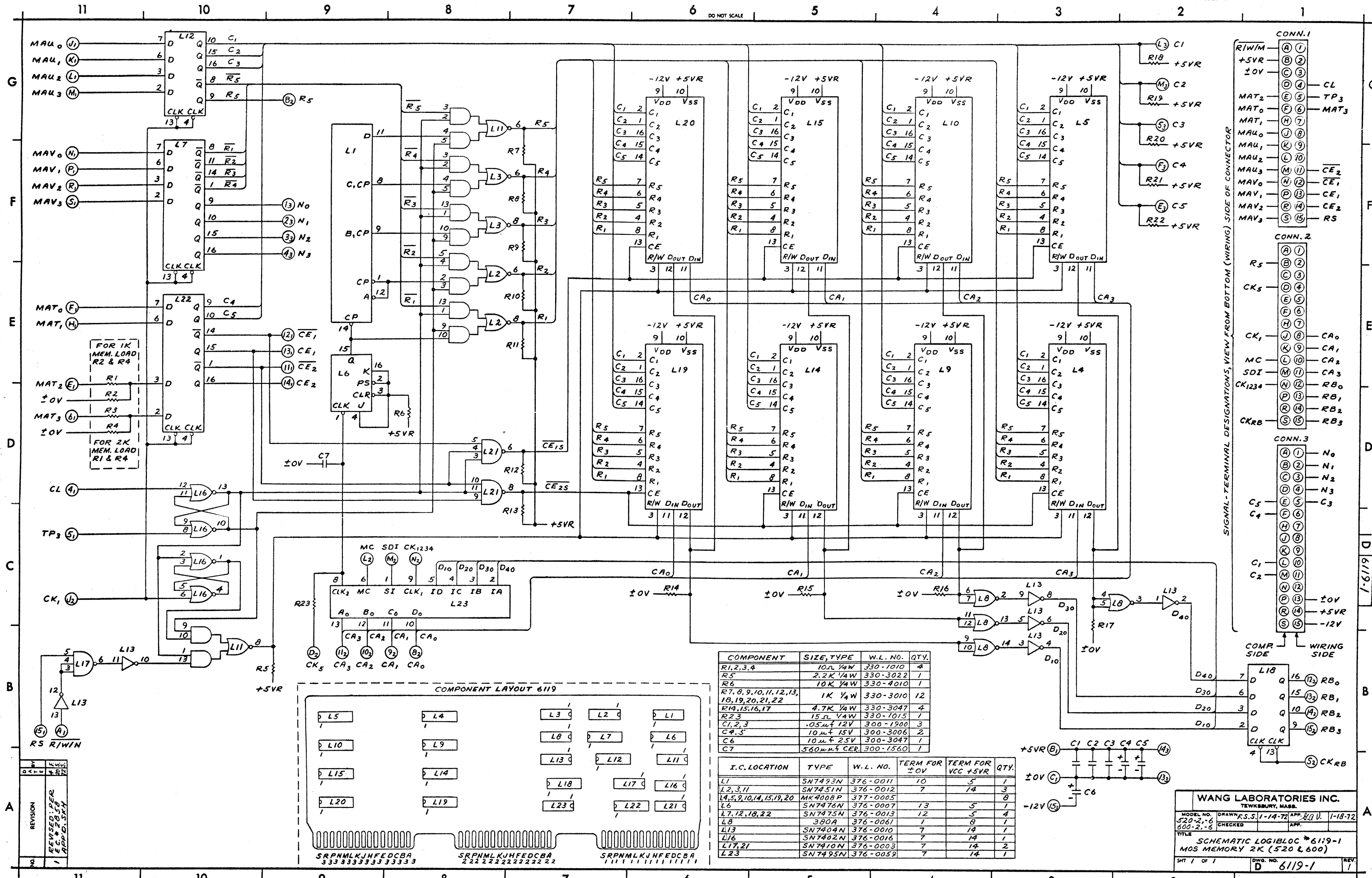


NOTES USED ON THE FOLLOWING MODELS: 500/520/600/630/730/2230.

TOL. EX. AS NOTED .1% & .010 PRAC. & / .1% & .005 ANG. &		<b>WANG LABORATORIES INC.</b> TEWKSBURY, MASS.	
MODEL NO. SEE NOTE #1	DRAWN JG 1/14/71	APP. K.H.	
MATERIAL	CHECKED DW 3/24/71	APP.	
TITLE <b>SCHEMATIC LOGIBLOC #341 POWER SUPPLY REGULATOR</b>			
W.O. NO.	DATE NO. C 5999-1	REV. 8	

E-REV  
5

1-6665



COMPONENT	SIZE, TYPE	W.L. NO.	QTY.
R1,2,3,4	10Ω 1/4W	330-1010	4
R5	2.2K 1/4W	330-3022	1
R6	10K 1/4W	330-4010	1
R7,8,9,10,11,12,13,18,19,20,21,22	1K 1/4W	330-3010	12
R14,15,16,17	4.7K 1/4W	330-3047	4
R23	15Ω 1/4W	330-1015	1
C1,2,3	.05μF 12V	300-1900	3
C4,5	10μF 15V	300-3006	2
C6	10μF 25V	300-3047	1
C7	560μF CER	300-1560	1

I.C. LOCATION	TYPE	W.L. NO.	TERM FOR ±0V	TERM FOR VCC +5VR	QTY.
L1	SN7493N	376-0011	10	5	1
L2,3,11	SN7451N	376-0012	7	14	3
L4,5,9,10,14,15,19,20	MK4008P	377-0005			8
L6	SN7476N	376-0007	13	5	1
L7,12,18,22	SN7475N	376-0013	12	5	4
L8	380A	376-0061	1	8	1
L13	SN7404N	376-0010	7	14	1
L16	SN7402N	376-0016	7	14	1
L17,21	SN7410N	376-0003	7	14	2
L23	SN7495N	376-0059	7	14	1

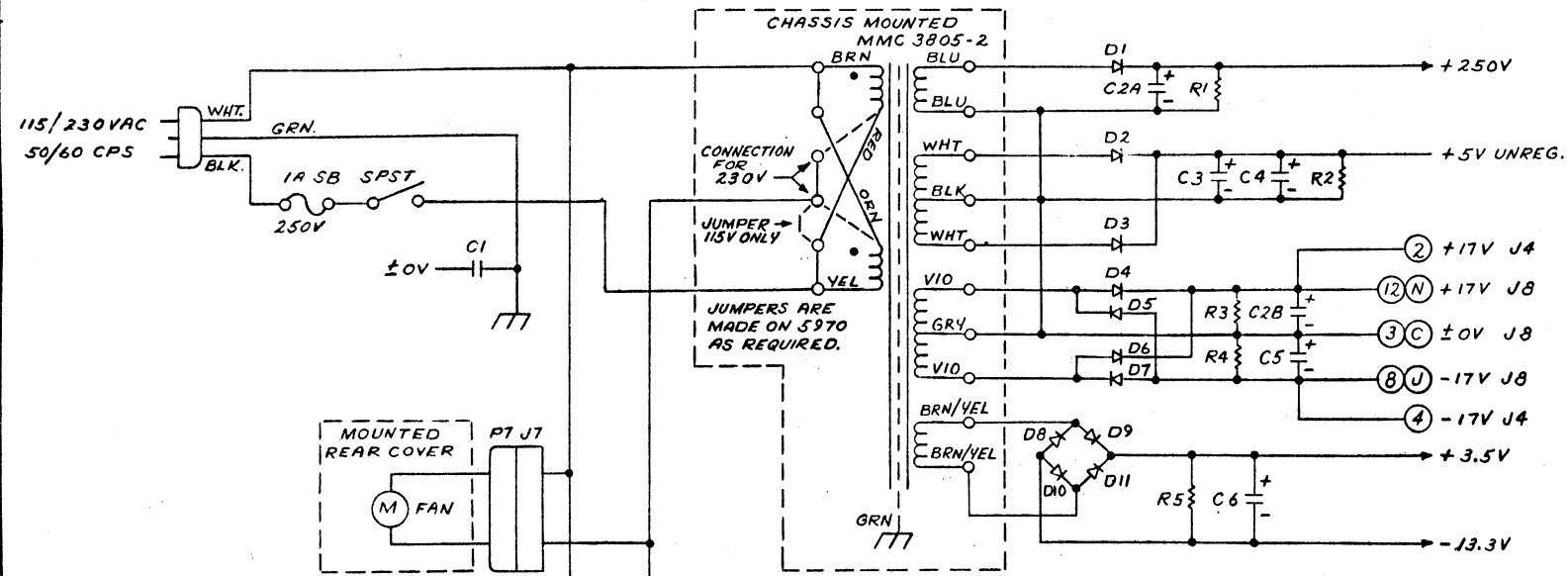
**WANG LABORATORIES INC.**  
TEWKSBURY, MASS.

MODEL NO. 520-2-1-0  
DRAWN F.S.S. 1-14-72 APP. R.Q.V. 1-18-72  
600-2-1-0 CHECKED APP.

TITLE: SCHEMATIC LOGIBLOC 6119-1  
MOS MEMORY 2K (520 & 600)

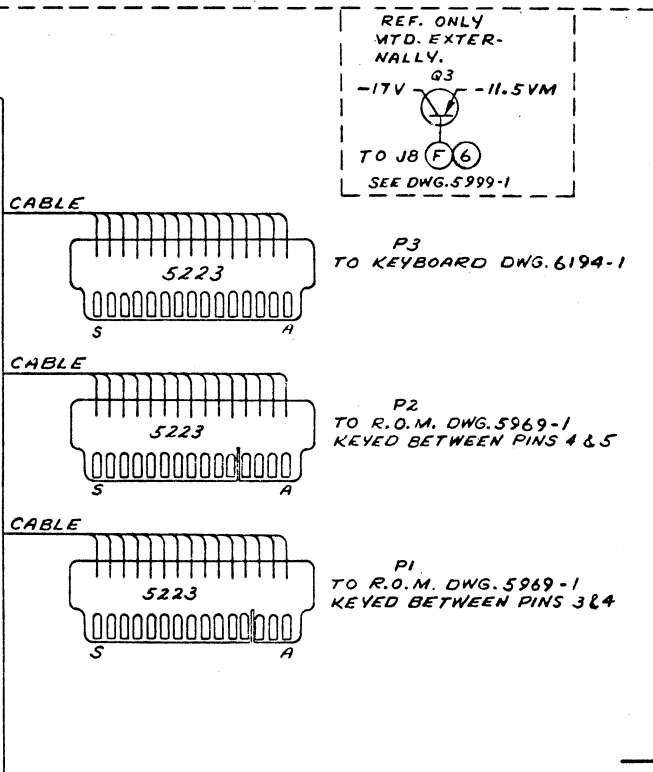
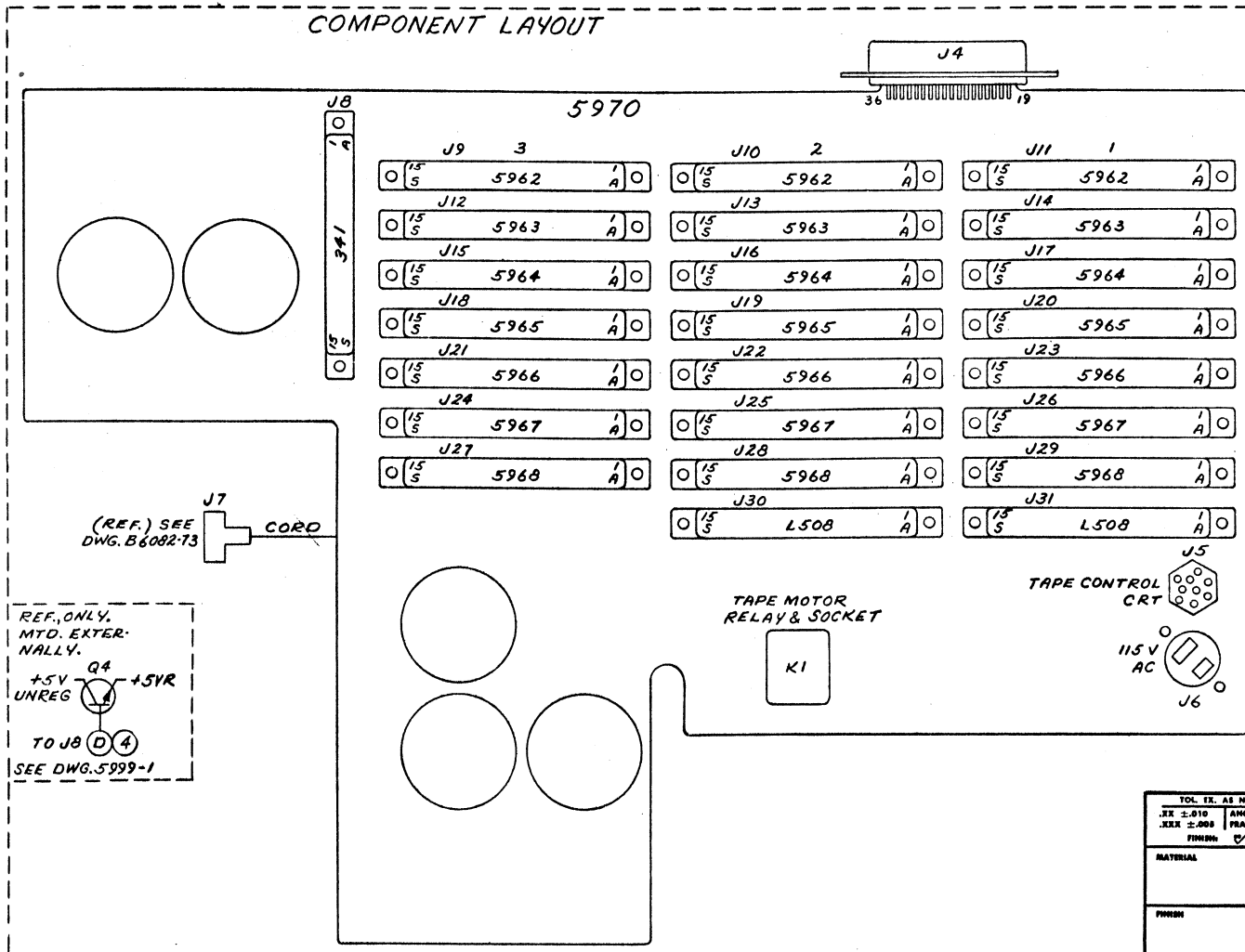
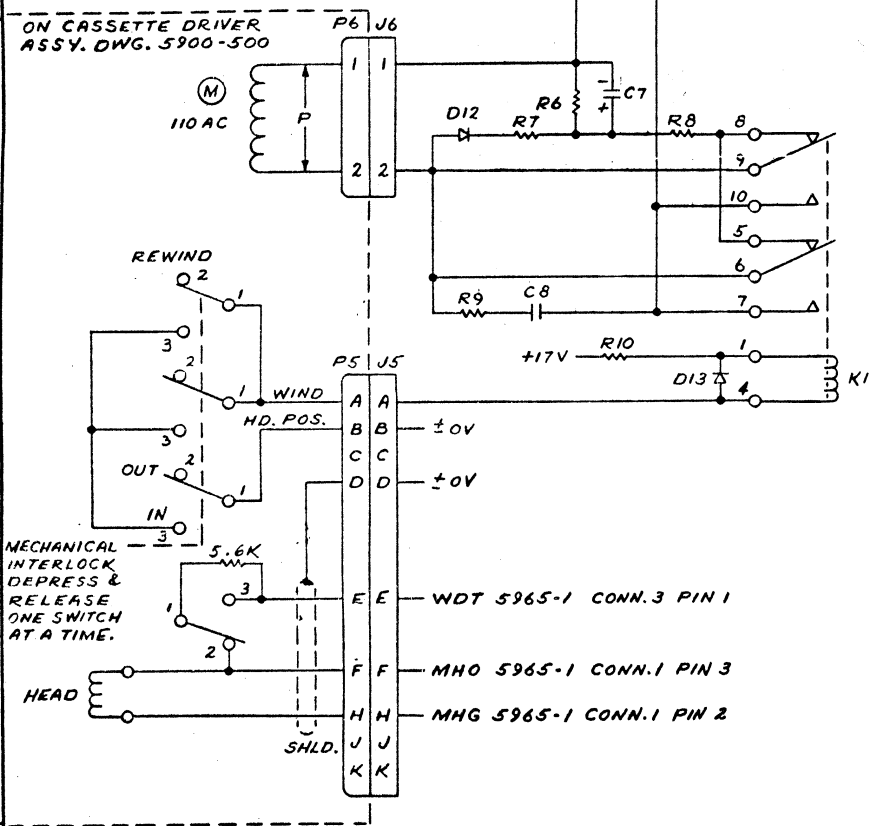
SHT 1 OF 1 DWG. NO. 6119-1

REV.	REVISION	DATE	BY	CHKD.
1	REVISED PER EC # 2859			
2	APP'D. SKY			



COMPONENT	SIZE, TYPE	W.L. NO.	QTY
R1	270K 1/2W	331-5027	1
R2,3,4,5	10K 1/4W	330-4010	4
R6	820Ω 1W	332-2082	1
R7	5.6K 1W	332-3056	1
R8	47Ω 1/2W	331-1047	1
R9	100Ω 1/4W	330-2010	1
R10	82Ω 1W	332-1082	1
C1	.47/400 VDC	300-2347	1
C2A	30/350 VDC	300-3018	1
C2B	3000/20VDC	300-3018	1
C3,4	14000/12 VDC	300-3045	2
C5,6	6000/20VDC	300-3019	2
C7	500/25 VDC	300-3021	1
C8	.1μF 600 VDC	300-2410	1
D1	1N3255	380-3001	1
D2,3,4,5,6,7,8,9,10,11	1N4719	380-3002	10
D12,13	EM403	380-4000	2
K1	SIGMA TOR2-12 DC-SCO	320-0045	1

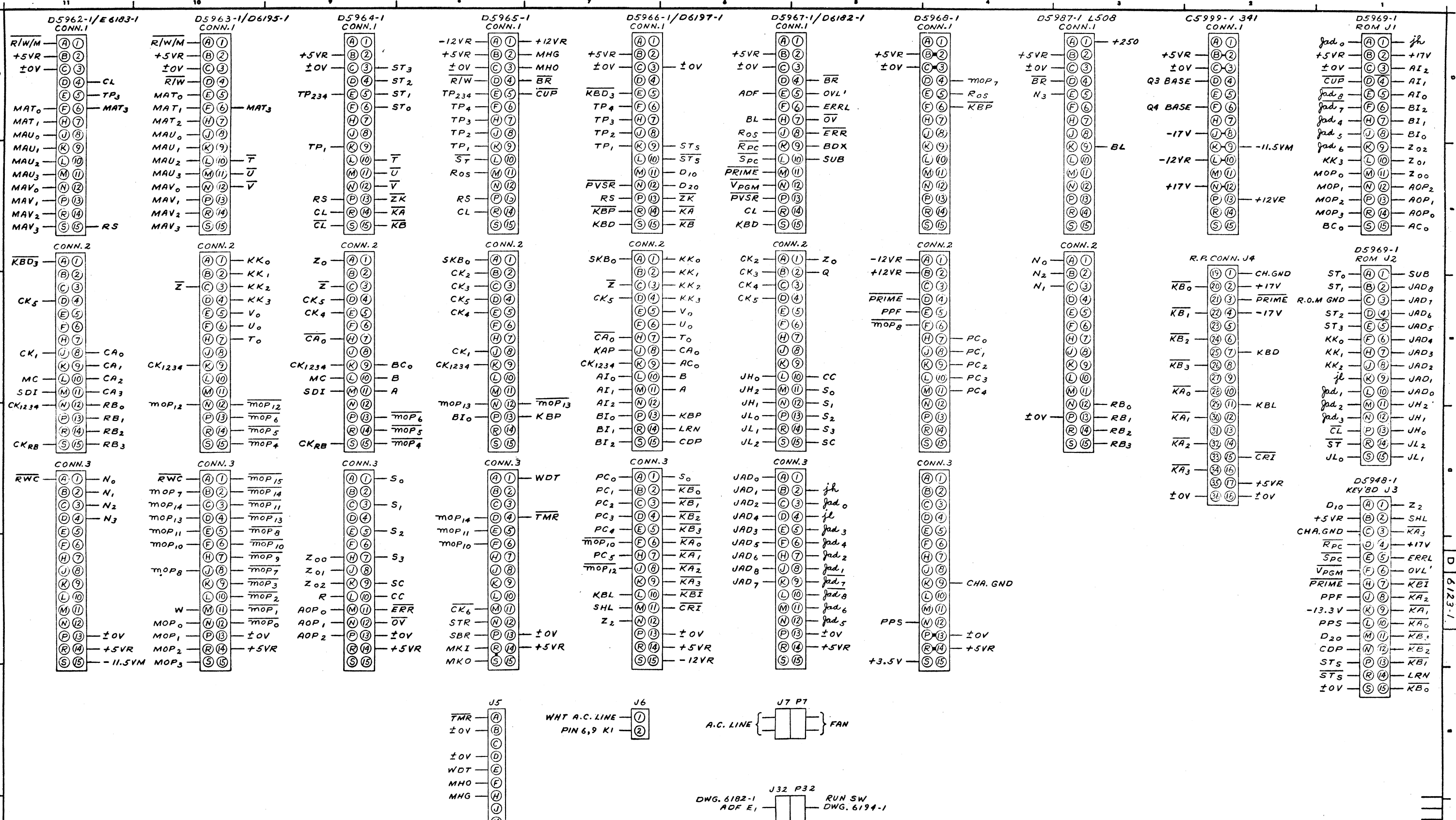
PART	SIZE, TYPE	W.L. NO.	QTY.
SOCKET	K1, AD-67	341-0019	1
P1,2,3	5223	510-5223	3
J4	57-40360 AMP.	350-1038	1
J5	126-221 AMP.	350-1003	1
J6	302-AB CINCH JONES	654-1110	1
J7	16415 ROTRON CORD	420-1005	1
J8 TO J31	225-21521-110 AMP.	350-0011	24
RIVETS, J6	1/8 DIA. x 3/16 LG., POP	651-0401	2



REV	REVISION	DATE	BY
1	REVISOR PER E.C. #3063	11-1-72	DR
2	REVISOR PER E.C. #370	11-1-72	DR
3	REVISOR PER E.C. #472	11-1-72	DR

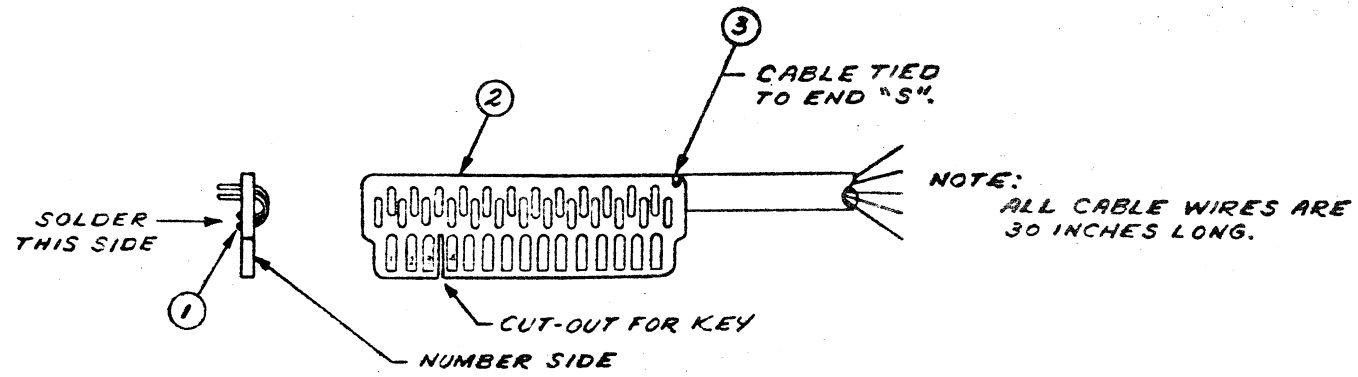
IDENT	QTY	NAME	MATERIAL	DESCRIPTION
			DR F.S.S.	DATE 2-10-72
			CHK	DATE 5-1-72
			APPD	DATE
<b>WANG LABORATORIES, INC.</b> TEWKSBURY, MASS. U. S. A.				
MODEL No. 500/520		W.O. No.	SCALE	SHEET 1 OF 2
TITLE MOTHER BOARD & POWER SUPPLY FOR MOD. 500/520				
PART NUMBER		REV	SIZE	DRAWING NUMBER
		3	D	6123-1





REV	DESCRIPTION

TOL. EX. AS NOTED	IDENT	QTY	NAME	MATERIAL	DESCRIPTION
XXX ±.010	DR	F.S.S.	DATE	2-10-72	
XXX ±.004	CHK	H.G.V.	DATE	5-1-72	
PHYSICAL	APPD		DATE		
	MODEL No.	500/520	W.O. No.		SCALE
	TITLE	MOTHER BOARD & POWER SUPPLY FOR MOD. 500/520			
	PART NUMBER	3	D	6123-1	
	REV	SIZE	DRAWING NUMBER		



SIGNAL	COLOR CODE	FROM 5223 PIN NO.	TO D6193-1 PIN NO.	W.L. NO.
g <sub>h</sub>	BROWN	1	C7-2	600-3001
+17V	WHT/RED	2	341-N	600-3092
AI <sub>2</sub>	ORANGE	3	B6-N	600-3003
AI <sub>1</sub>	YELLOW	4	B6-M	600-3004
AI <sub>0</sub>	GREEN	5	B6-L	600-3005
BI <sub>2</sub>	BLUE	6	B6-S	600-3006
BI <sub>1</sub>	VIOLET	7	B6-R	600-3007
BI <sub>0</sub>	GRAY	8	B5-P	600-3008
Z <sub>02</sub>	WHITE	9	C4-K	600-3009
Z <sub>01</sub>	WHT/BLK	10	C4-J	600-3090
Z <sub>00</sub>	WHT/BRN	11	C4-H	600-3091
AOP <sub>2</sub>	VIO/RED	12	C4-P	600-3072
AOP <sub>1</sub>	WHT/ORN	13	C4-N	600-3093
AOP <sub>0</sub>	WHT/YEL	14	C4-M	600-3094
AC <sub>0</sub>	WHT/GRN	15	B6-9	600-3095
g <sub>ad0</sub>	WHT/BLK/BRN	A	C7-3	600-3901
+5VR	RED	B	C2-R	600-2002 *
±0V	BLACK	C	C2-P	600-2000 *
CUP	WHT/BLK/YEL	D	A5-5	600-3904 ⚠
g <sub>ad8</sub>	WHT/BLK/GRN	E	C7-10	600-3905
g <sub>ad7</sub>	WHT/BLK/BLU	F	C7-9	600-3906
g <sub>ad4</sub>	WHT/BLK/VIO	H	C7-6	600-3907
g <sub>ad5</sub>	WHT/BLK/GRY	J	C7-12	600-3908
g <sub>ad6</sub>	TAN	K	C7-11	600-3011
KK <sub>3</sub>	GRY/BLK	L	B6-4	600-3080
MOP <sub>0</sub>	GRY/BRN	M	C3-N	600-3081
MOP <sub>1</sub>	GRY/RED	N	C3-P	600-3082
MOP <sub>2</sub>	GRY/ORN	P	C3-R	600-3083
MOP <sub>3</sub>	GRY/YEL	R	C3-S	600-3084
BC <sub>0</sub>	GRY/GRN	S	B4-9	600-3085

NOTE: ALL WIRES ARE 26 GAUGE EXCEPT AS INDICATED BY "\*", WHICH ARE 24 GAUGE.

ITEM	DESCRIPTION	W.L. NO.	QTY
1	SOLDER 63-37	660-0202	A/R
2	P.C. BD. 5223	510-5223PI	1
3	LACING, BLK.	605-1001	A/R

BY	DATE	REVISION
1	7-23-73	REV. PER RFA # 0254

WANG LABORATORIES INC. TEWKSBURY, MASS.

MODEL NO. 520

DRAWN F.S.S. 2-29-72 APP. CW 32872

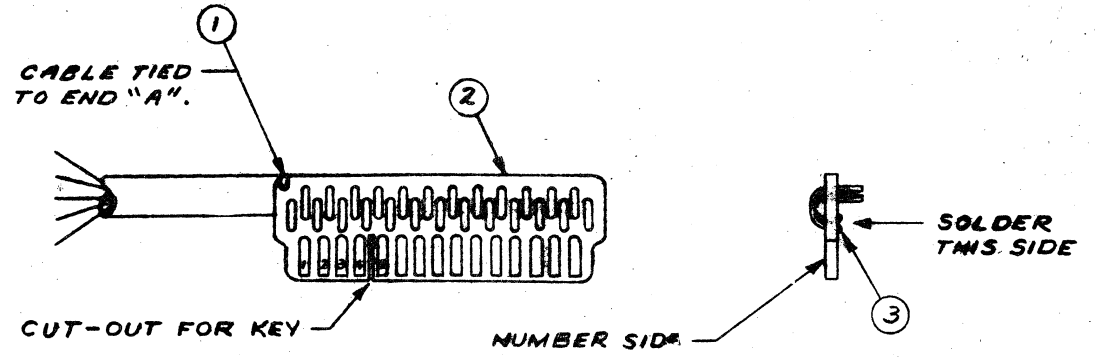
CHECKED APP.

TITLE ROM CONNECTOR CABLE (PI)

W.O. NO. 220-0074 DWG. NO. C 6123-2

2-62190

REVISIONS	
1	REV. PER RFA# 0401 9-18-73 AFW CSC



SIGNAL	COLOR CODE	FROM 5223 PIN NO.	TO D6193-1 PIN NO.	W.L. NO.
SUB	BROWN	1	A7-10	600-3001
JAD <sub>8</sub>	PINK	2	C7-J	600-3022
JAD <sub>7</sub>	ORANGE	3	C7-K	600-3003
JAD <sub>6</sub>	YELLOW	4	C7-H	600-3004
JAD <sub>5</sub>	GREEN	5	C7-F	600-3005
JAD <sub>4</sub>	BLUE	6	C7-D	600-3006
JAD <sub>3</sub>	VIOLET	7	C7-E	600-3007
JAD <sub>2</sub>	GRAY	8	C7-C	600-3008
JAD <sub>1</sub>	WHITE	9	C7-B	600-3009
JAD <sub>0</sub>	WHT/BLK	10	C7-A	600-3090
JH <sub>2</sub>	WHT/BRN	11	B7-M	600-3091
JH <sub>1</sub>	VIO/RED	12	B7-N	600-3072
JH <sub>0</sub>	WHT/ORN	13	B7-L	600-3093
JL <sub>2</sub>	WHT/YEL	14	B7-S	600-3094
JL <sub>1</sub>	WHT/GRN	15	B7-R	600-3095
ST <sub>0</sub>	WHT/BLK/BRN	A	A4-6	600-3901
ST <sub>1</sub>	WHT/BLK/RED	B	A4-5	600-3902
ROM GND.	BLACK	C	C3-13	600-2000 *
ST <sub>2</sub>	WHT/BLK/YEL	D	A4-4	600-3904
ST <sub>3</sub>	WHT/BLK/GRN	E	A4-3	600-3905
KK <sub>0</sub>	WHT/BLK/BLU	F	B6-1	600-3906
KK <sub>1</sub>	WHT/BLK/VIO	H	B6-2	600-3907
KK <sub>2</sub>	WHT/BLK/GRY	J	B6-3	600-3908
jl	WHT/VIO	K	C7-4	600-3097
Jad <sub>1</sub>	GRY/BLK	L	C7-8	600-3080
Jad <sub>2</sub>	GRY/BRN	M	C7-7	600-3081
Jad <sub>3</sub>	GRY/RED	N	C7-5	600-3082
CL	GRY/ORN	P	A4-5	600-3083
ST	GRY/YEL	R	A5-L	600-3084
JL <sub>0</sub>	GRY/GRN	S	B7-P	600-3085

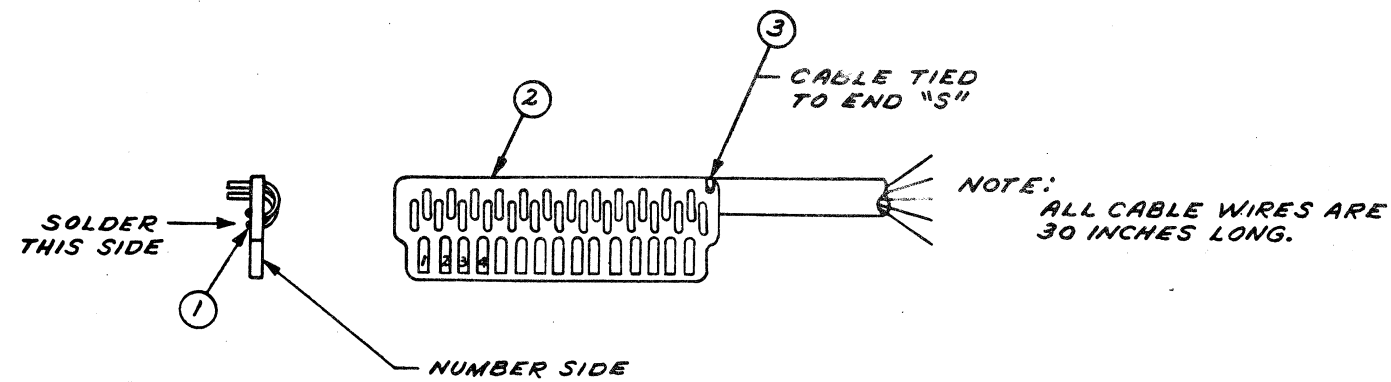
ITEM	DESCRIPTION	W.L. NO.	QTY.
1	LACING, BLK	605-1001	A/R
2	P.C. BD. 5223	510-5223P2	1
3	SOLDER 63-37	660-0202	A/R

NOTE:  
 1. ALL WIRES ARE 26 GAUGE EXCEPT AS INDICATED BY "\*" WHICH IS 24 GAUGE.  
 2. STRIP 3/16 BOTH ENDS AND TIN

**WANG LABORATORIES INC.**  
 NEWBURY, MASS.

MODEL NO. 520	DRAWN F.S.S. 3-1-72	APP. CW	3-28-72
CHECKED		APP.	
TITLE ROM CONNECTOR CABLE (P2)			
W.O. NO. 220-0075	DWG. NO. C 6123-3	REV. 1	

E-82193 ON DWG



NOTE: ALL CABLE WIRES ARE 30 INCHES LONG.

SIGNAL	COLOR CODE	FROM 5223 PIN NO.	TO D6123-1 PIN NO.	W.L. NO.
Z <sub>2</sub>	BROWN	1	C6-N	600-3001
SHL	PINK	2	C6-M	600-3022
KA <sub>3</sub>	ORANGE	3	C6-9	600-3003
+17V	WHT/RED	4	341-12	600-3092
ERRL	GREEN	5	A7-6	600-3005
OVL'	BLUE	6	A7-5	600-3006
KBI	VIOLET	7	C6-10	600-3007
KA <sub>2</sub>	GRAY	8	C6-8	600-3008
KA <sub>1</sub>	WHITE	9	C6-7	600-3009
KA <sub>0</sub>	WHT/BLK	10	C6-6	600-3090
KB <sub>3</sub>	WHT/BRN	11	C6-5	600-3091
KB <sub>2</sub>	VIO/RED	12	C6-4	600-3072
KB <sub>1</sub>	WHT/ORN	13	C6-3	600-3093
LRN	WHT/YEL	14	B6-14	600-3094
KB <sub>0</sub>	WHT/GRN	15	C6-2	600-3095
D <sub>10</sub>	WHT/BLK/RED	A	A6-11	600-3902
+5VR	RED	B	A8-B	600-3002
CHA. GND.	GRN/YEL	C	CHA. GND.	600-3054
R <sub>PC</sub>	WHT/BLK/YEL	D	A7-K	600-3904
S <sub>PC</sub>	WHT/BLK/GRN	E	A7-L	600-3905
V <sub>PGM</sub>	WHT/BLK/BLU	F	A7-N	600-3906
PRIME	WHT/BLK/VIO	H	A7-M	600-3907
PPF	WHT/BLK/GRY	J	B8-E	600-3908
-13.3V	WHT/VIO	K	-13.3V	600-3097
PPS	GRY/BLK	L	C8-N	600-3080
D <sub>20</sub>	GRY/BRN	M	A6-12	600-3081
TP <sub>3</sub>	GRY/RED	N	A2-5	600-3082
STS	GRY/ORN	P	A6-9	600-3083
ST <sub>S</sub>	VIO/YEL	R	A6-10	600-3074
±0V	BLACK	S	A8-C	600-3000

ITEM	DESCRIPTION	W.L. NO.	QTY.
1	SOLDER 63-37	660-0202	A/R
2	P.C. BD. 5223	510-5223	1
3	LACING, BLK.	605-1001	A/R

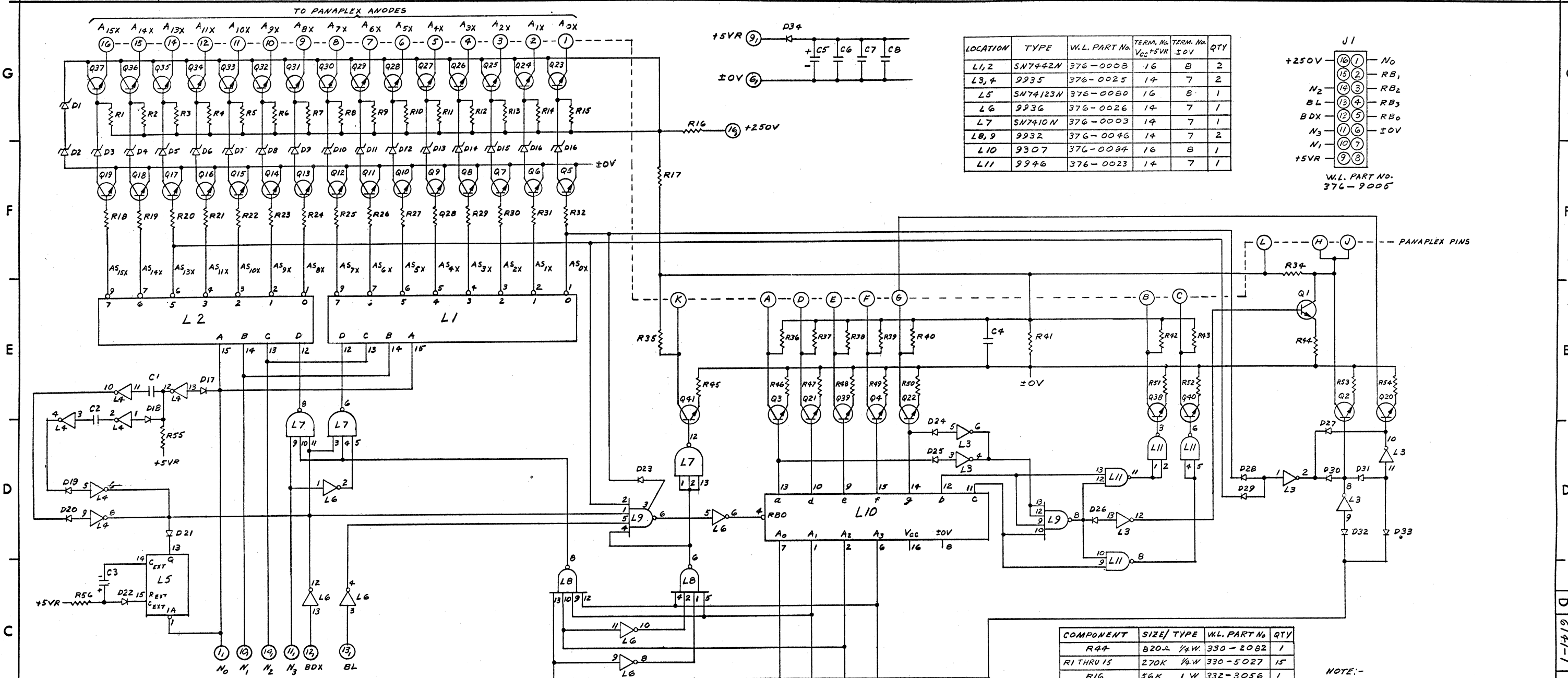
WANG LABORATORIES INC. TEWKSBURY, MASS.

MODEL NO. 520	DRAWN E.S.S. 3-2-72	APP. CW	3-29-72
CHECKED		APP.	
TITLE KEYBOARD CONNECTOR CABLE (P3)			
W.O. NO. 220-0076	OWG. NO. C 6123-4	REV.	

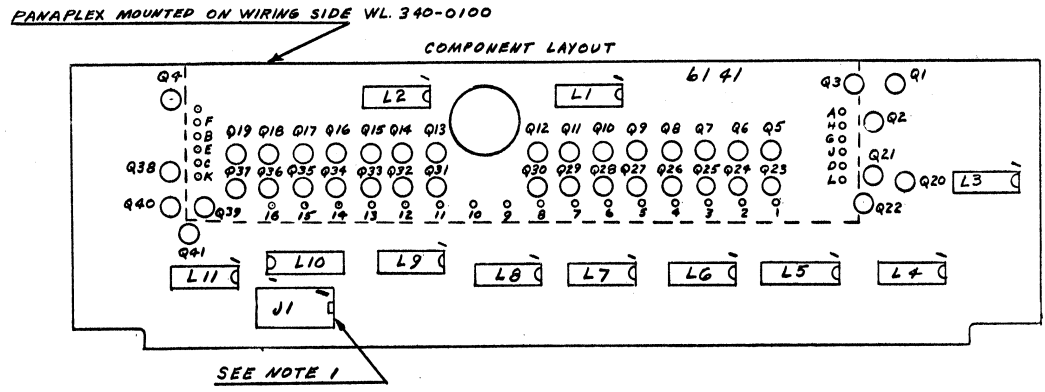
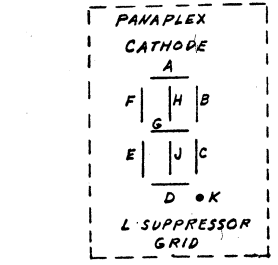
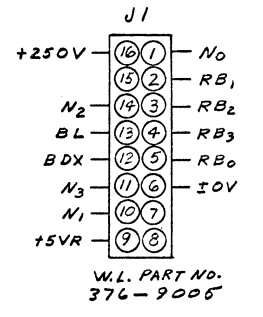
REVISIONS

7 6 5 4 3 2 1

4-82190 ON 9MG



LOCATION	TYPE	W.L. PART No.	TERM. No. Vcc +5VR	TERM. No. ±10V	QTY
L1, 2	SN7442N	376-0008	16	8	2
L3, 4	9935	376-0025	14	7	2
L5	SN74123N	376-0080	16	8	1
L6	9936	376-0026	14	7	1
L7	SN7410N	376-0003	14	7	1
LB, 9	9932	376-0046	14	7	2
L10	9307	376-0084	16	8	1
L11	9946	376-0023	14	7	1



COMPONENT	SIZE/TYPE	W.L. PART No.	QTY
R44	820Ω 1/4W	330-2082	1
R1 THRU 15	270K 1/4W	330-5027	15
R16	56K 1W	332-3056	1
R17, 41	100K 1/2W	931-5010	2
R18 THRU 32	10K 1/4W	330-4010	15
R34	1M 1/4W	330-6010	1
R35	220K 1/4W	330-5022	1
R36 THRU 40, 42, 43	330K 1/4W	330-5033	8
R53	1K 1/4W	330-3010	1
R45 THRU 52, 54	148K 1/4W	330-3018	9
R55	470Ω 1/4W	330-2047	1
R56	22K 1/4W	330-4022	1
Q1 THRU 41	DRIVER SIL. TRANS.	375-1006	41
C1, 2	.01 μF CER.	300-1903	2
C3	1 μF TANT.	300-4000	1
C4	.0056 μF 200V	300-1915	1
C5	10 μF 16VDC	300-3006	1
C6, 7, 8	.01 μF	300-1903	3
D1 THRU 16	ZENER 110V	380-2125	16
D17, 18, 19, 20, 22, 23, 28, 29, 31, 32, 33	SIL. DIODE	380-1001	14
D21, 27, 30	GER. DIODE	380-0000	3
D34	EM 403	380-4000	1

NOTE:-  
1. FOR INTERCONNECTING CABLE  
USE W.L. PART NO. 420-2000 6" LONG

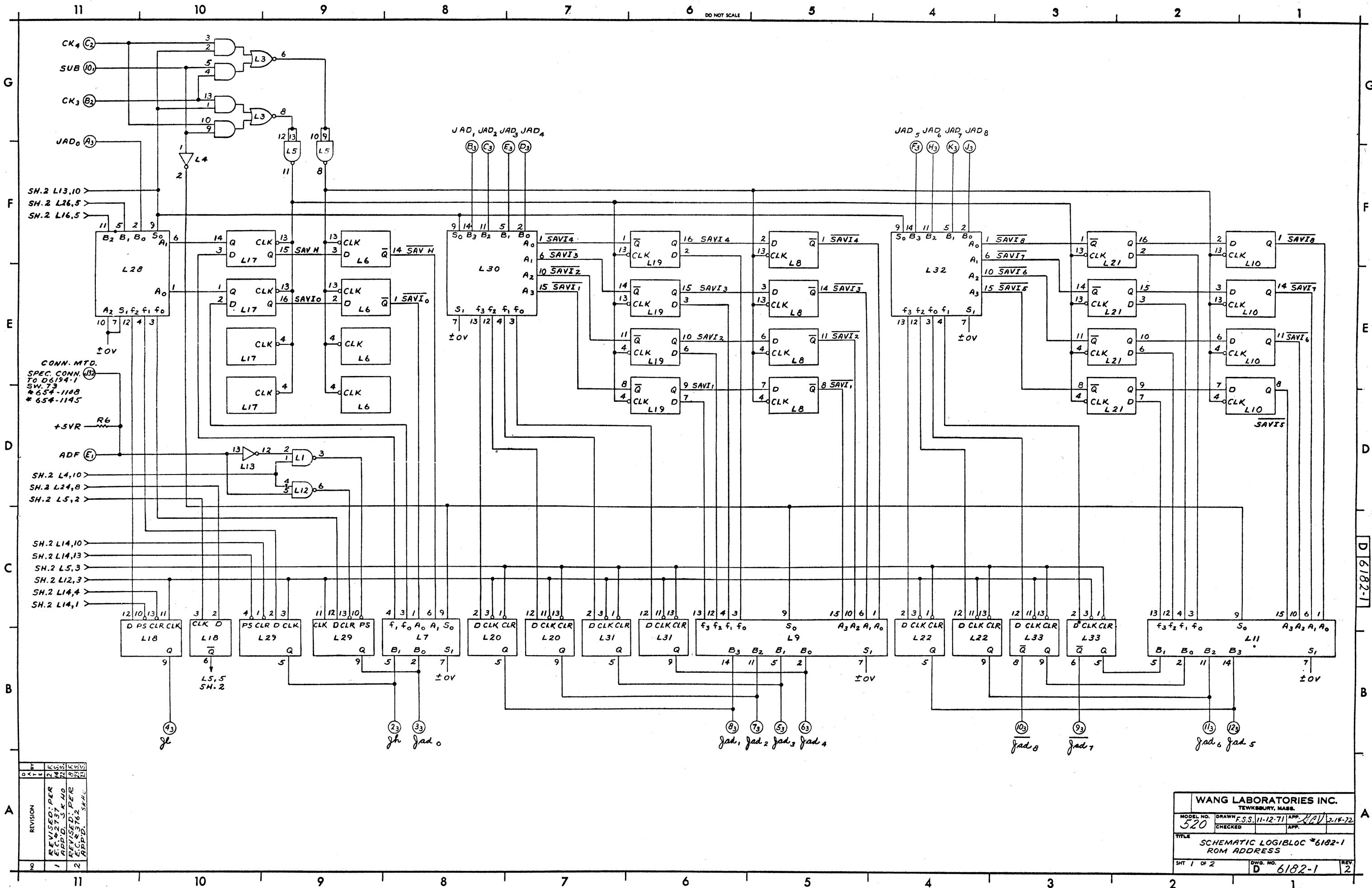
REVISION	DATE	BY	APP'D.
1	6/27/72	PER ECH 3064 C. J. WAS. 054F APPL. SKY	

WANG LABORATORIES INC.  
TEWKSBURY, MASS.

MODEL NO. 600  
DRAWN BY: [Signature] 12/18/71  
APP'D. SKH 3/31/72  
CHECKED: [Signature] APP.

TITLE: SCHEMATIC, LOG-BLOC # 6141  
PANAPLEX DISPLAY

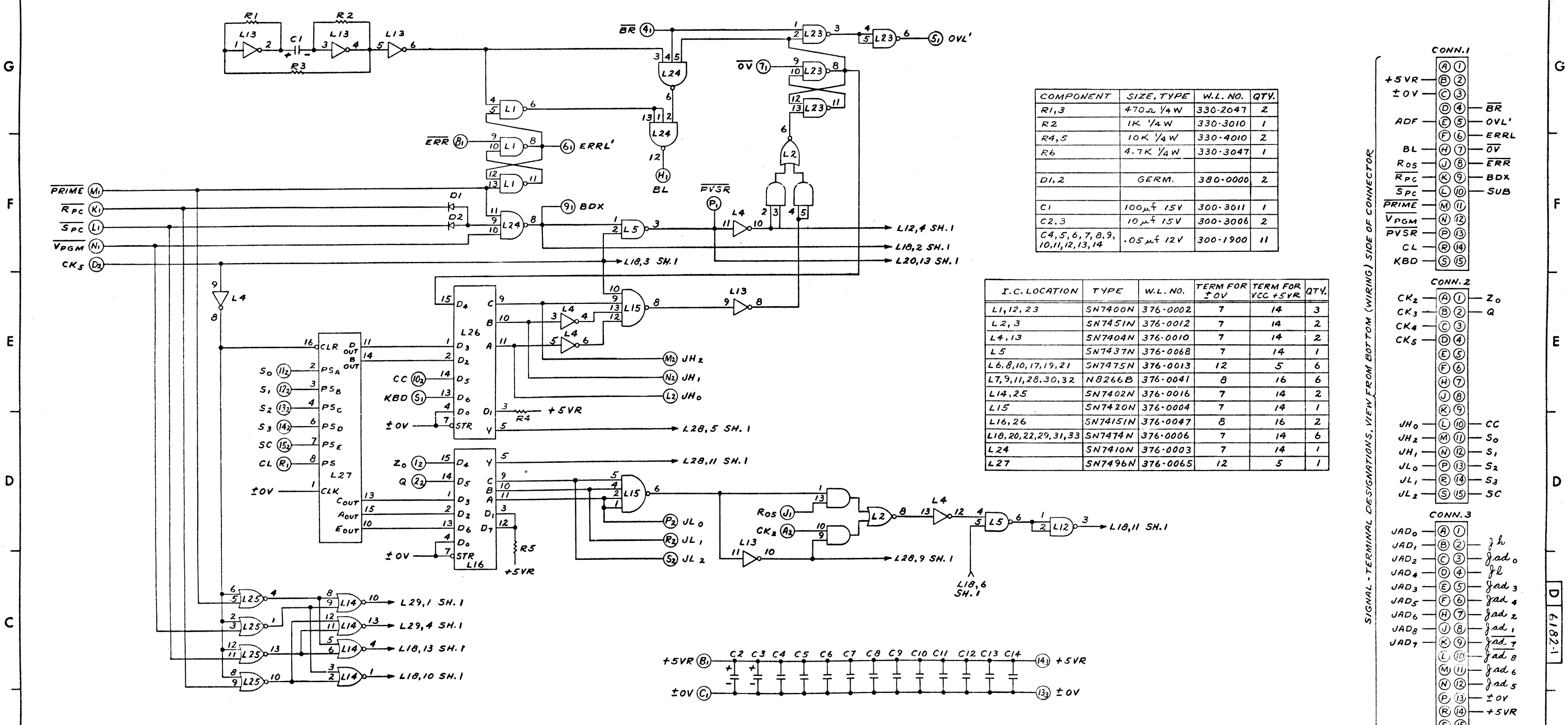
SHT. OF: 1 DWG. NO. D 6141-1 REV. 1



CONN. MTD.  
SPEC. CONN. (B)  
TO D6182-1  
SW. 73  
4654-1108  
\*654-1145

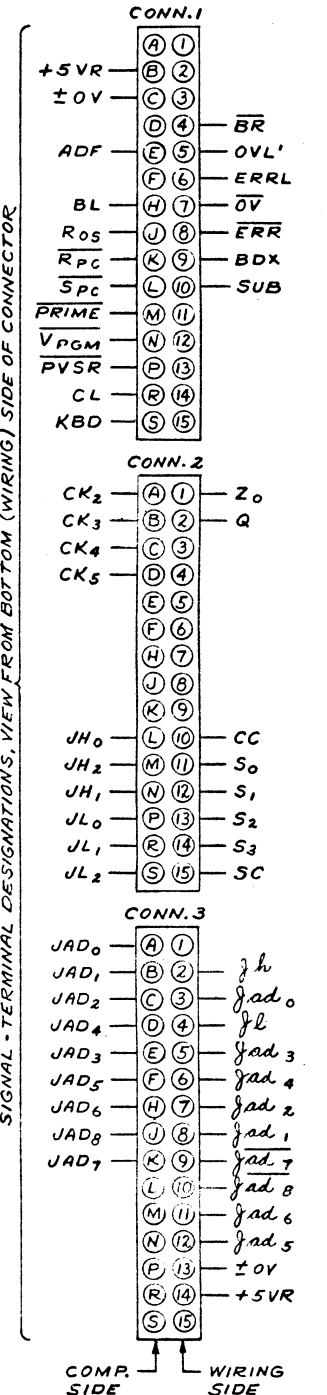
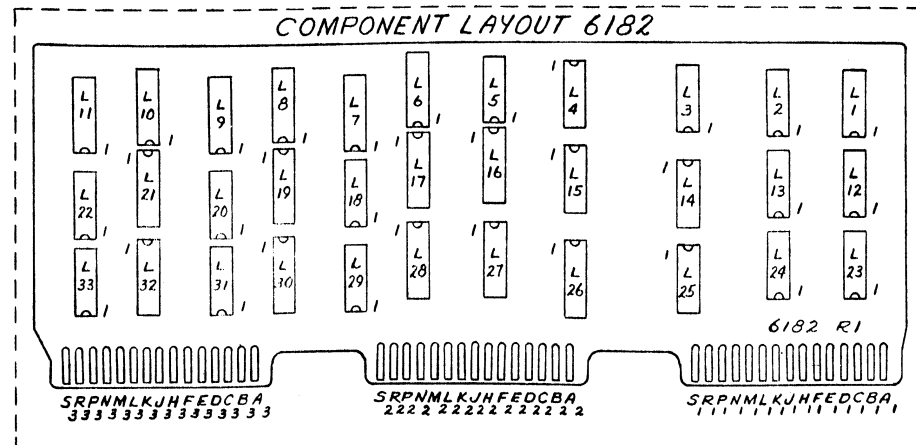
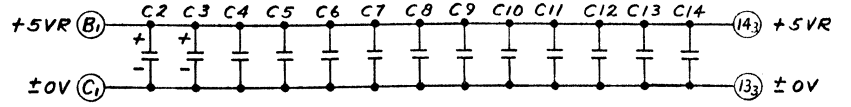
REV	BY	DATE	DESCRIPTION
1	REVISOR: PER E.C. 2/27/71	2/27/71	ADD. D. S. K. 140
2	REVISOR: PER S. 4/2/72	4/2/72	ADD. D. S. K. 140

WANG LABORATORIES INC. TEWKSBURY, MASS.			
MODEL NO. 520	DRAWN F.S.S. 11-12-71	APP. H.P.V. 2-14-72	REV. 2
CHECKED		APP.	
TITLE SCHEMATIC LOGIBLOC #6182-1 ROM ADDRESS			
SHT 1 OF 2	DWG. NO. D 6182-1	REV.	



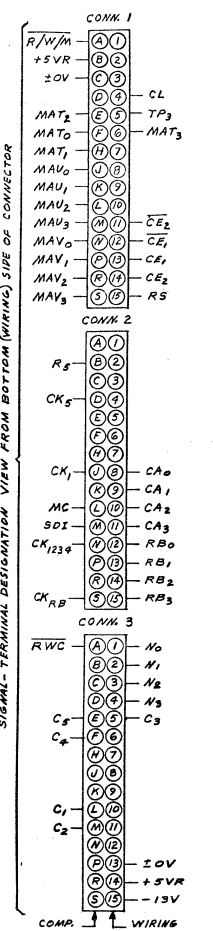
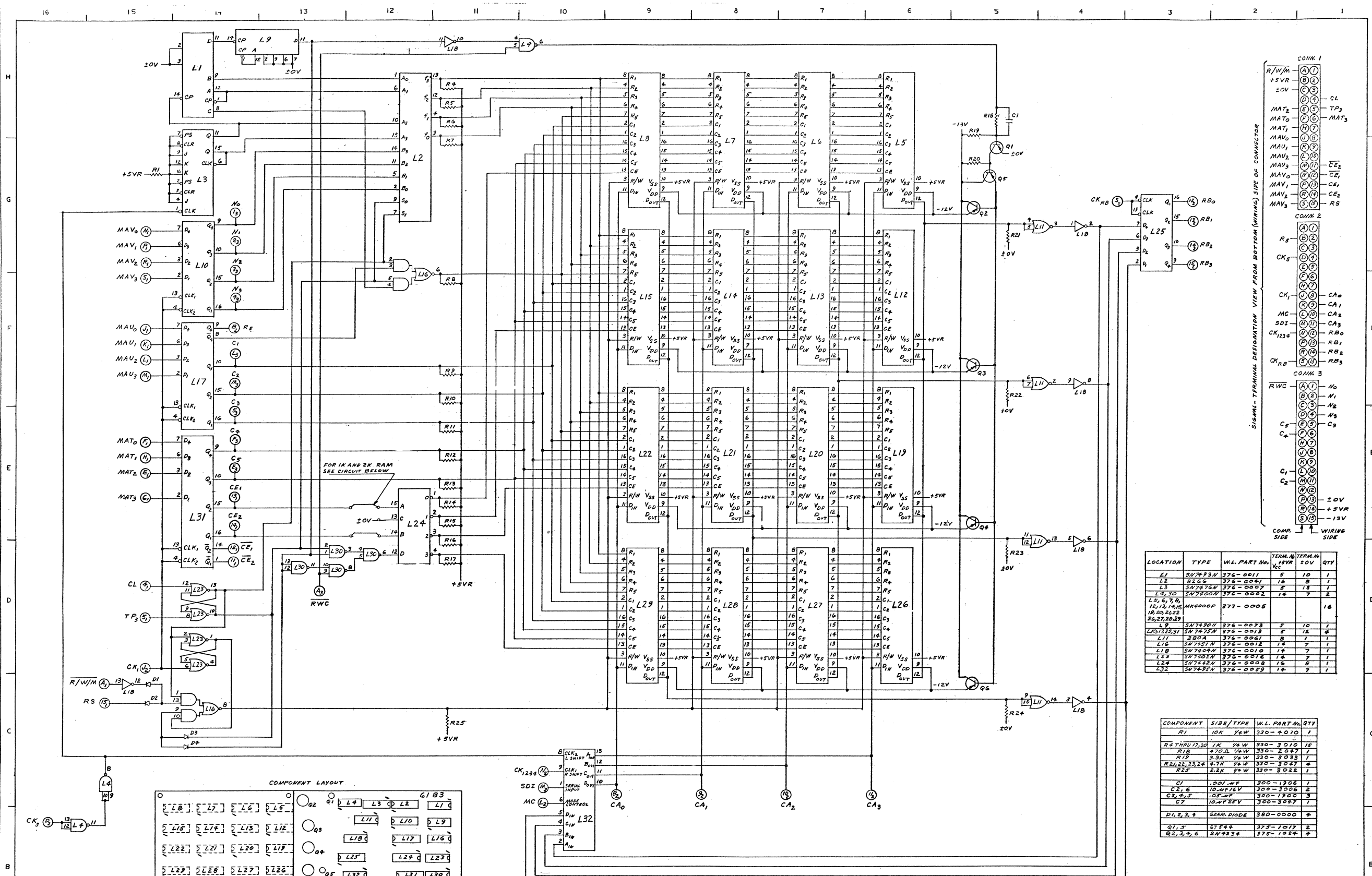
COMPONENT	SIZE, TYPE	W.L. NO.	QTY.
R1,3	470Ω 1/4W	330-2047	2
R2	1K 1/4W	330-3010	1
R4,5	10K 1/4W	330-4010	2
R6	4.7K 1/4W	330-3047	1
D1,2	GERM.	380-0000	2
C1	100μf 15V	300-3011	1
C2,3	10μf 15V	300-3006	2
C4,5,6,7,8,9,10,11,12,13,14	.05μf 12V	300-1900	11

I.C. LOCATION	TYPE	W.L. NO.	TERM FOR ±0V	TERM FOR VCC +5VR	QTY.
L1,12,23	SN7400N	376-0002	7	14	3
L2,3	SN7451N	376-0012	7	14	2
L4,13	SN7404N	376-0010	7	14	2
L5	SN7437N	376-0068	7	14	1
L6,8,10,17,19,21	SN7475N	376-0013	12	5	6
L7,9,11,28,30,32	N8266B	376-0041	8	16	6
L14,25	SN7402N	376-0016	7	14	2
L15	SN7420N	376-0004	7	14	1
L16,26	SN74151N	376-0047	8	16	2
L18,20,22,29,31,33	SN7474N	376-0006	7	14	6
L24	SN7410N	376-0003	7	14	1
L27	SN7496N	376-0065	12	5	1



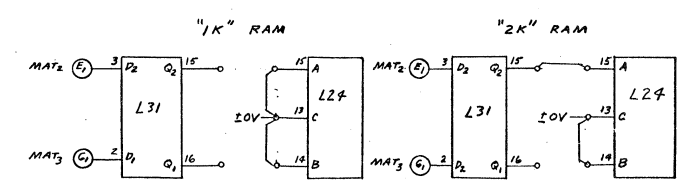
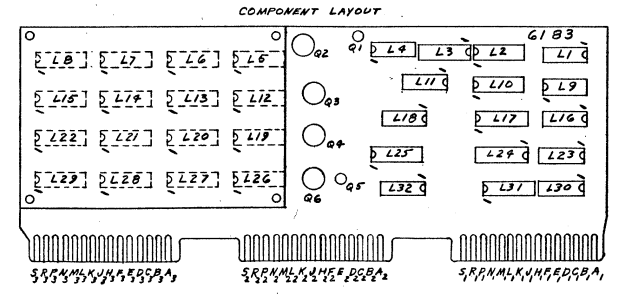
WANG LABORATORIES INC.			
TEWKSBURY, MASS.			
MODEL NO. 520	DRAWN S.S. 11-10-71	APP. [Signature]	2-14-72
CHECKED	APP.		
TITLE SCHEMATIC LOGIBLOC #6182-1 ROM ADDRESS			
SHT 2 OF 2	DWG. NO. D 6182-1	REV 2	

REVISION	
1	



LOCATION	TYPE	W.L. PART No.	TERMINALS	TERMINALS	QTY
L1	SN7493N	376-0011	5	10	1
L2	B2C6	376-0047	16	8	1
L3	SN7493N	376-0007	5	10	1
L4,30	SN7400N	376-0002	14	7	2
L5,6,7,8, 12,13,14,15, 18,20,21,22, 26,27,28,29	MK9000P	377-0005			16
L9	SN7490N	376-0073	5	10	1
L10,11,23,31	SN7495N	376-0078	5	12	4
L11	380A	376-0067	8	7	1
L16	SN7495N	376-0078	5	12	1
L18	SN7494N	376-0070	14	7	1
L23	SN7402N	376-0076	14	7	1
L24	SN7492N	376-0008	16	8	1
L32	SN7492N	376-0008	16	8	1

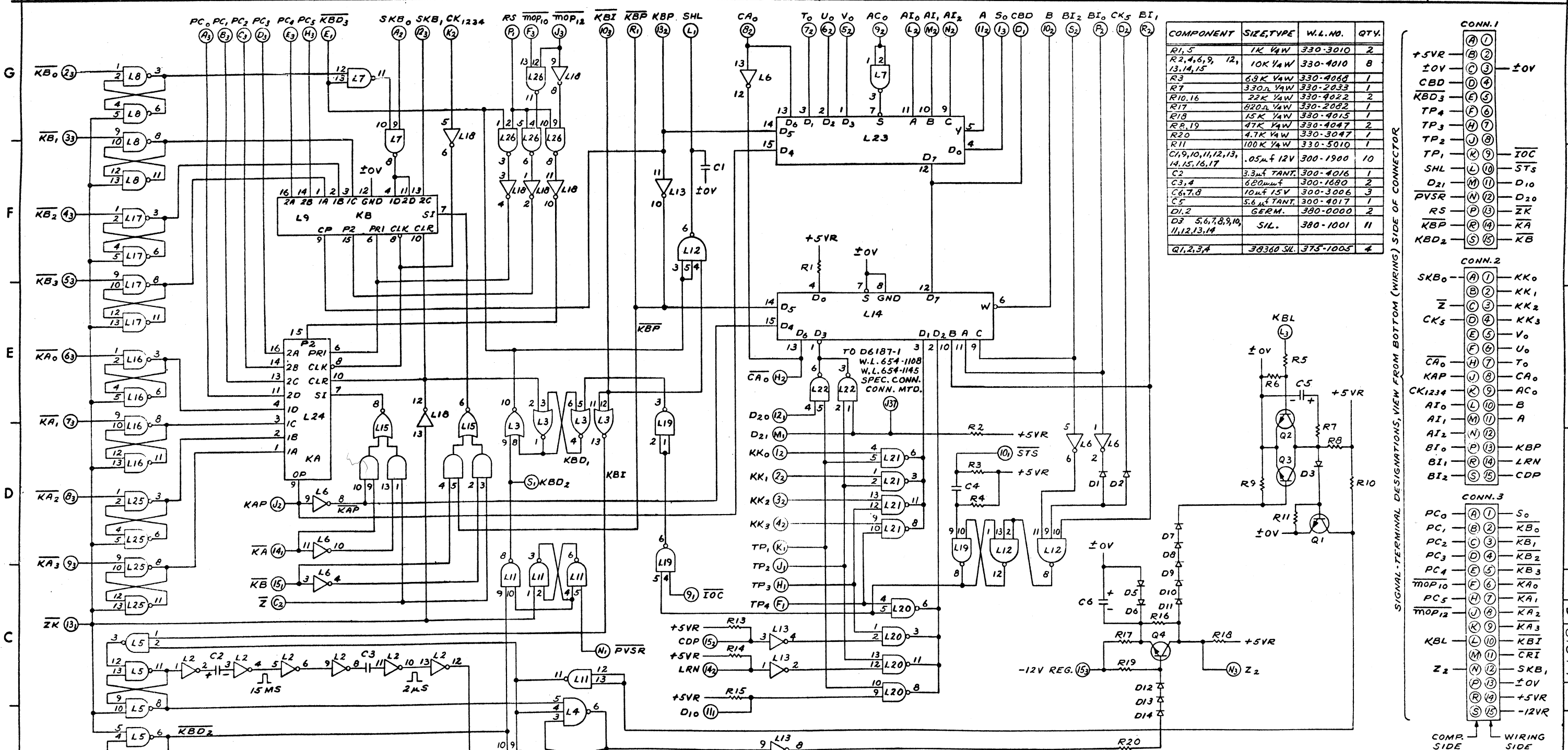
COMPONENT	SIZE/TYPE	W.L. PART No.	QTY
R1	10K 1/4W	330-4010	1
R4 THRU 12,20	1K 1/4W	330-3010	15
R18	470Ω 1/4W	330-2047	1
R19	3.3K 1/4W	330-3033	1
R21,22,23,24	4.7K 1/4W	330-3047	4
R25	2.2K 1/4W	330-3022	1
C1	.001 μF	300-1306	1
C2,6	10 μF 16V	300-3306	2
C3,4,5	.02 μF	300-1300	3
C7	10 μF 25V	300-3047	1
D1,2,3,4	GERM. DIODE	380-0000	4
Q1,5	6T54E	375-1077	2
Q2,3,4,6	2N723A	375-1024	4



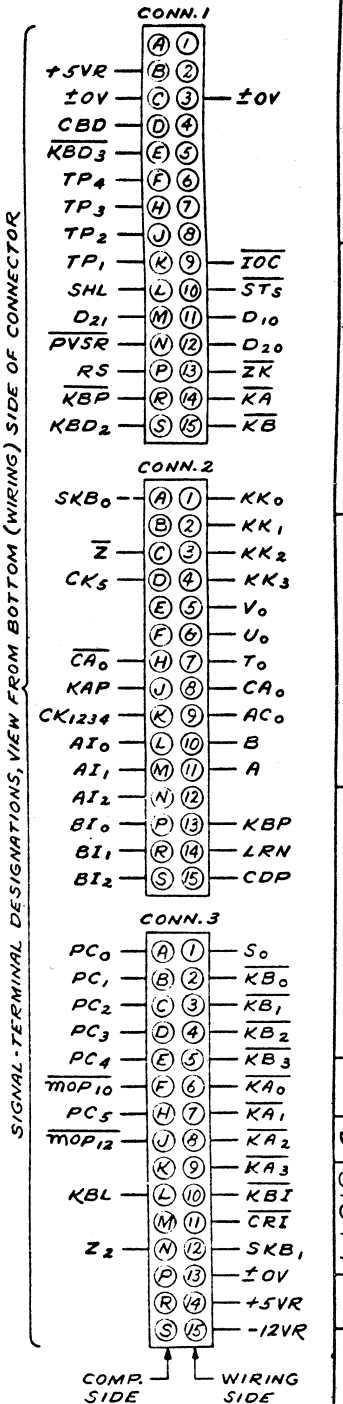
REV	DATE	BY	CHK	DESCRIPTION
1	1-25-72			PER ECH 2802 ADAPTED FOR APP-1
2	2-25-72			ADAPTED FOR APP-1
3	3-25-72			ADAPTED FOR APP-1

QTY.	NAME	MATERIAL	DATE	APPROVED BY	DATE
	LABORATORIES, INC.	DOWN	11-2-72	ENGR. J. M. H.	11/2/72
	CHK	CHK		M ENGR.	
	E. C. CONTROL			MFG ENGR.	
	MODEL NO.	5-20-74/100			
	SEE ENGR SPECIFICATIONS				
	TITLE	SCHEMATIC LOGIC 6183			
		4K MEMORY			
	TOL. EX. AS NOTED				
	XX = OLD FIN. & TAG				
	XXX = OLD AMG. & FINISH				
SCALE	SHT	OF			
	WANG PART NUMBER	SIZE	DRAWING NUMBER		REV

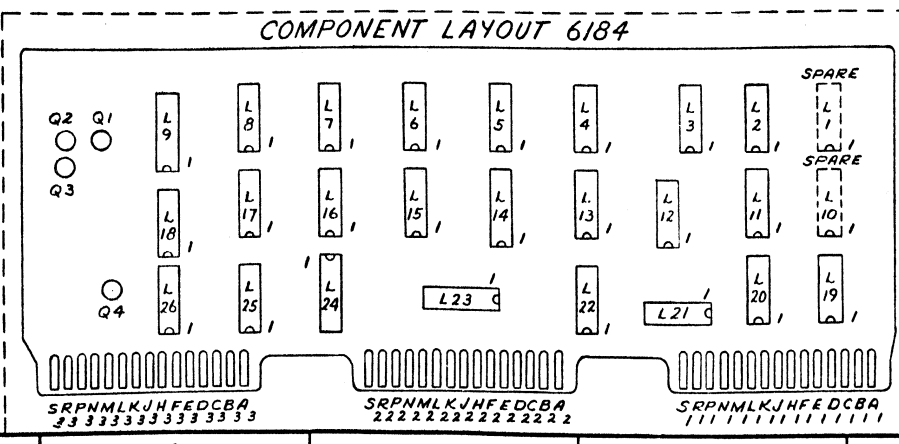




COMPONENT	SIZE, TYPE	W.L. NO.	QTY.
R1, 5	1K 1/4W	330-3010	2
R2, 4, 6, 9, 12, 13, 14, 15	10K 1/4W	330-4010	8
R3	6.9K 1/4W	330-4064	1
R7	330Ω 1/4W	330-2033	1
R10, 16	22K 1/4W	330-4022	2
R17	820Ω 1/4W	330-2082	1
R18	15K 1/4W	330-4015	1
R19	47K 1/4W	330-4047	2
R20	4.7K 1/4W	330-3047	1
R11	100K 1/4W	330-5010	1
C1, 9, 10, 11, 12, 13, 14, 15, 16, 17	.05μF 12V	300-1900	10
C2	3.3μF TANT.	300-4016	1
C3, 4	680μF	300-1680	1
C6, 7, 8	10μF 15V	300-3006	3
C5	5.6μF TANT.	300-4017	1
D1, 2	GERM.	380-0000	2
D7, 5, 6, 7, 8, 9, 10, 11, 12, 13, 14	SIL.	380-1001	11
Q1, 2, 3, 4	38360 SIL.	375-1005	4



REVISION	REVISION
1	REVISED PER F.C. 2765
2	REVISED PER F.C. 3612



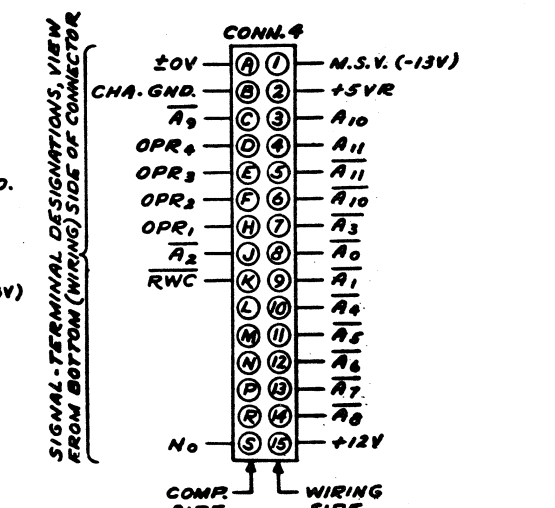
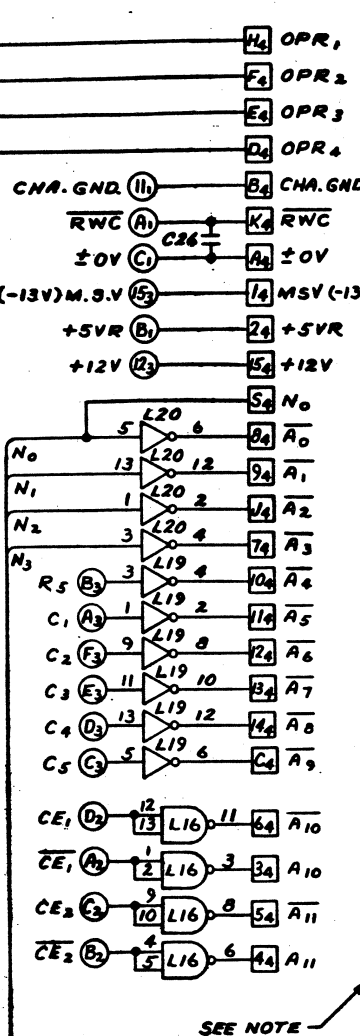
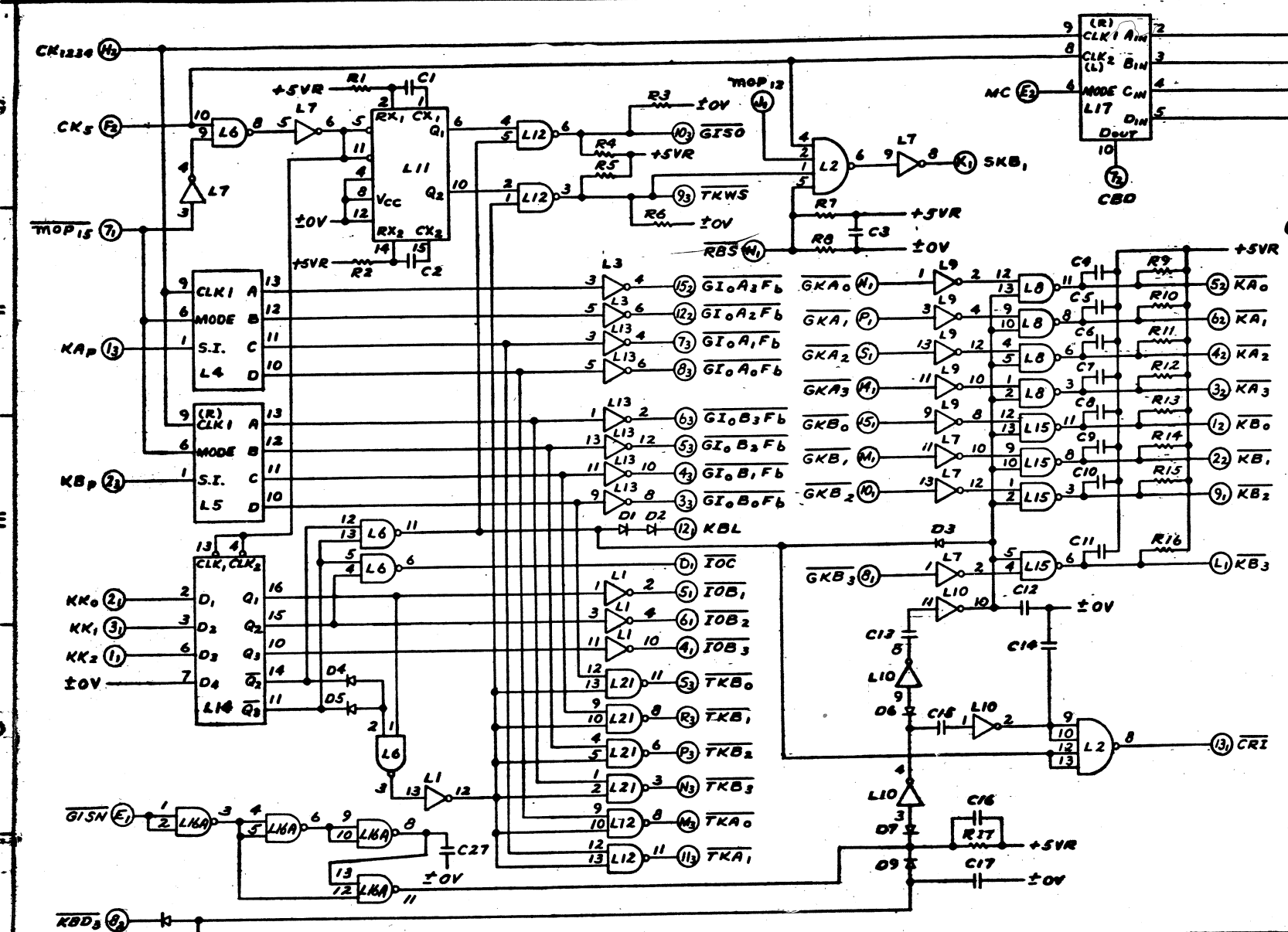
I.C. LOCATION	TYPE	W.L. NO.	TERM FOR ±0V	TERM FOR VCC +5VR	QTY.
L1, 10	SPARE				
L2	F9935	376-0025	7	14	1
L3	SN7402N	376-0016	7	14	1
L4, 12	SN7410N	376-0003	7	14	2
L5, 8, 16, 17, 19, 20, 21, 22, 25	F9946	376-0023	7	14	9
L6, 13, 18	SN7404N	376-0010	7	14	3
L7, 11, 26	SN7400N	376-0002	7	14	3
L9, 24	SN7494N	376-0064	12	5	2
L14, 23	SN74151N	376-0047	16	8	2
L15	SN7451N	376-0012	7	14	1

WANG LABORATORIES INC.  
TEWKSBURY, MASS.

MODEL NO. 600  
DRAWN F.S.S. 2-25-72  
CHECKED

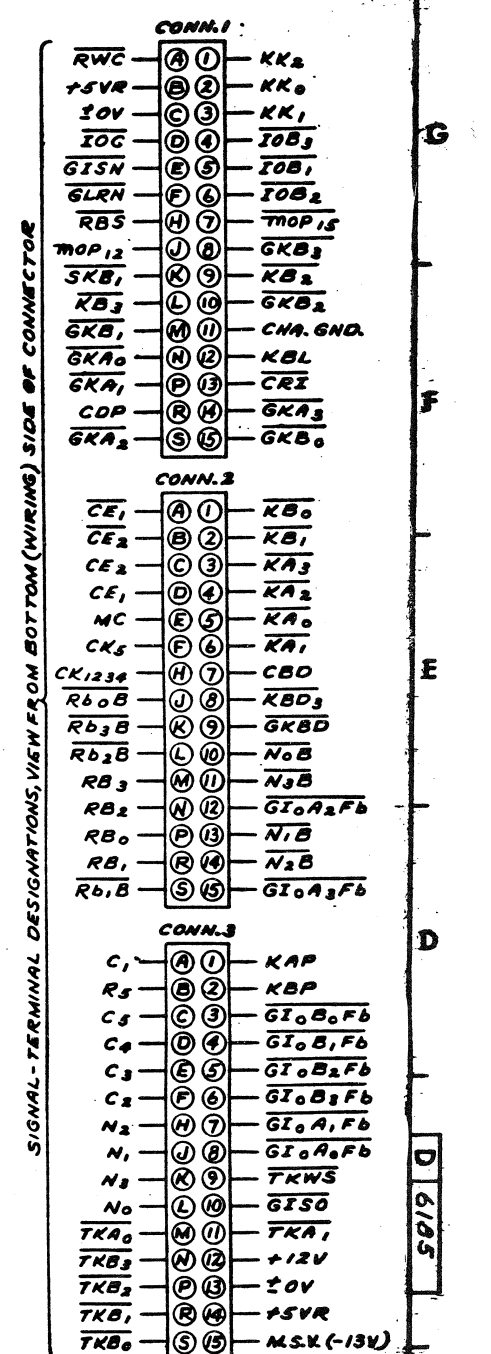
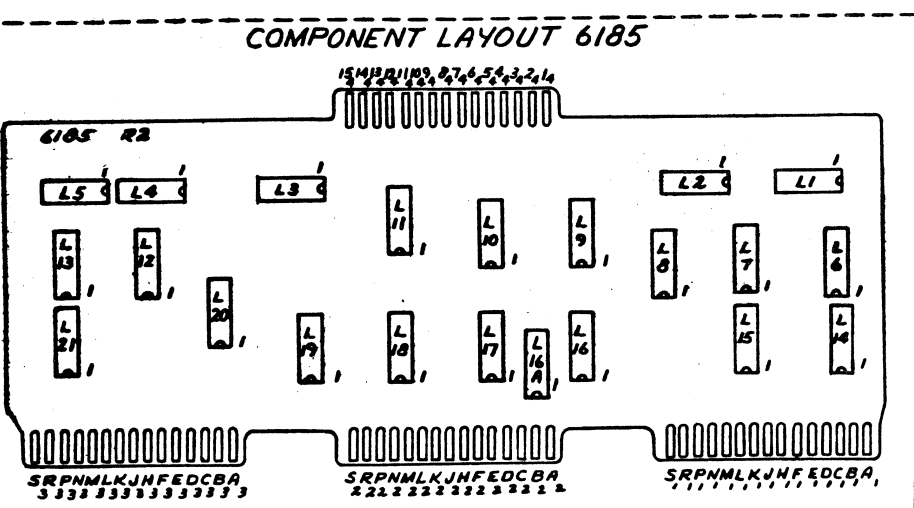
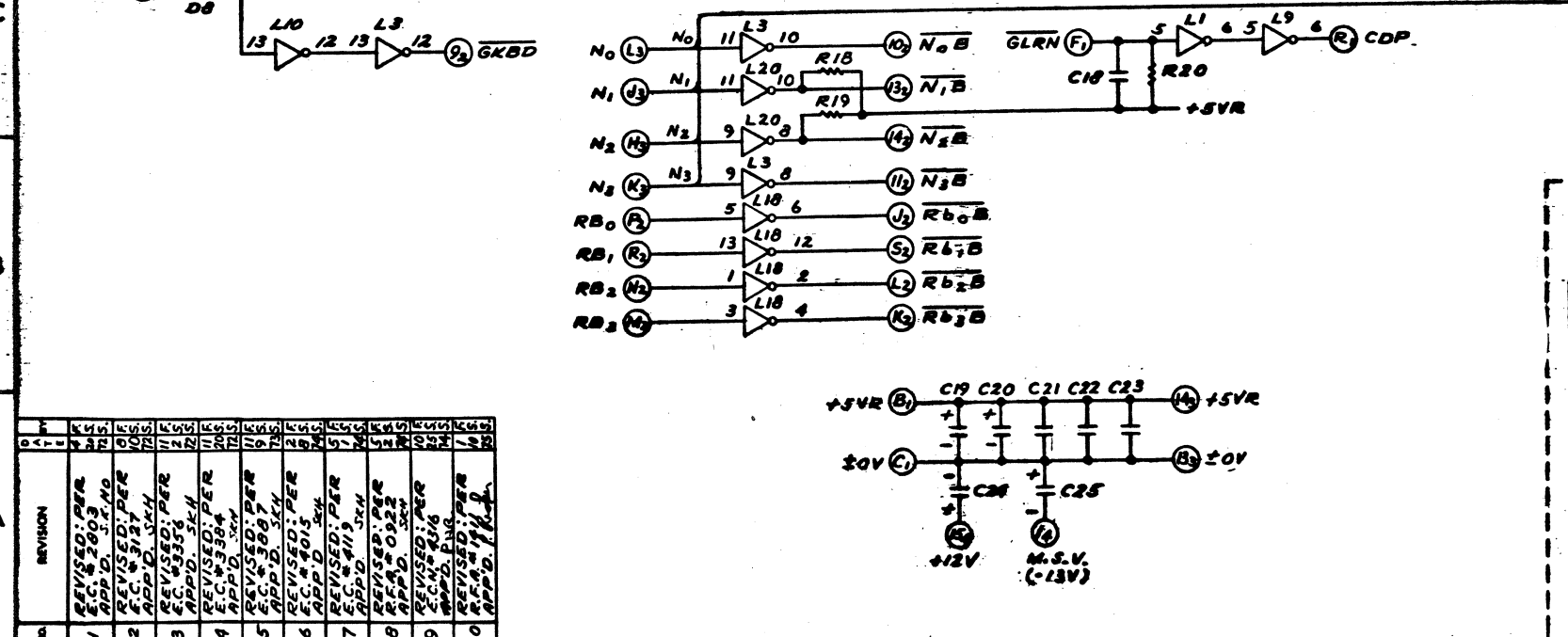
TITLE  
SCHEMATIC LOGIBLOC #6184-1  
KA & KB REGISTER

SHT 1 OF 1  
Dwg. No. 6184-1  
REV 2



COMPONENT	SIZE, TYPE	W.L. NO.	QTY.
R1	27K 1/4W 5%	330-4028	1
R2	33K 1/4W 5%	330-4034	1
R3,6	2.2K 1/4W	330-3022	2
R4,5	1.8K 1/4W	330-3018	2
R7	180Ω 1/4W	330-2018	1
R8	220Ω 1/4W	330-2022	1
R9,10,11,12,13,14,15,16	10K 1/4W	330-4010	8
R17,20	470Ω 1/4W	330-2047	2
R18,19	3.3K 1/4W	330-3033	2
C1	.0015μF MYL.	300-2015	1
C2	.0022μF MYL.	300-2022	1
C3,21,22,23	.05μF	300-1900	4
C4,5,6,7,8,9,10,11	330μF	300-1330	8
C12,14	220μF	300-1220	2
C13,15,27	.001μF	300-1906	3
C16,17,18	680μF	300-1680	3
C19,20	10μF/15V	300-3006	2
C24,25	15μF/20V TANT.	300-4022	2
C26	.0047μF 500V	300-1910	1
D1,2,6,7,8,9	SIL. DIODE	300-1001	6
D3,4,5	GER. DIODE	300-0000	3

I.C. LOCATION	TYPE	W.L. NO.	TERM FOR ±0V	TERM FOR VCC +5V	QTY.
L1,3,7,9,13,18	SN7404N	376-0010	7	14	6
L2	F9932	376-0046	7	14	1
L4,5,17	SN7495N	376-0059	7	14	3
L6	SN7437N	376-0068	7	14	1
L8,15	SN7403N	376-0028	7	14	2
L10	F9935	376-0025	7	14	1
L11	F9602	376-0104	8	16	1
L12,21	SN7400N	376-0037	7	14	2
L14	SN7475N	376-0013	12	5	1
L16	SN7426N	376-0067	7	14	1
L16A	SN7400N	376-0002	7	14	1
L18,20	SN7406N	376-0055	7	14	2



NOTE: ON MODEL 600 USING THE WIRED BRAID REMOVE CAP, "C26". FOR MODEL 600 USING MOS ROM DO NOT REMOVE "C26".

W.L.# 210-6185

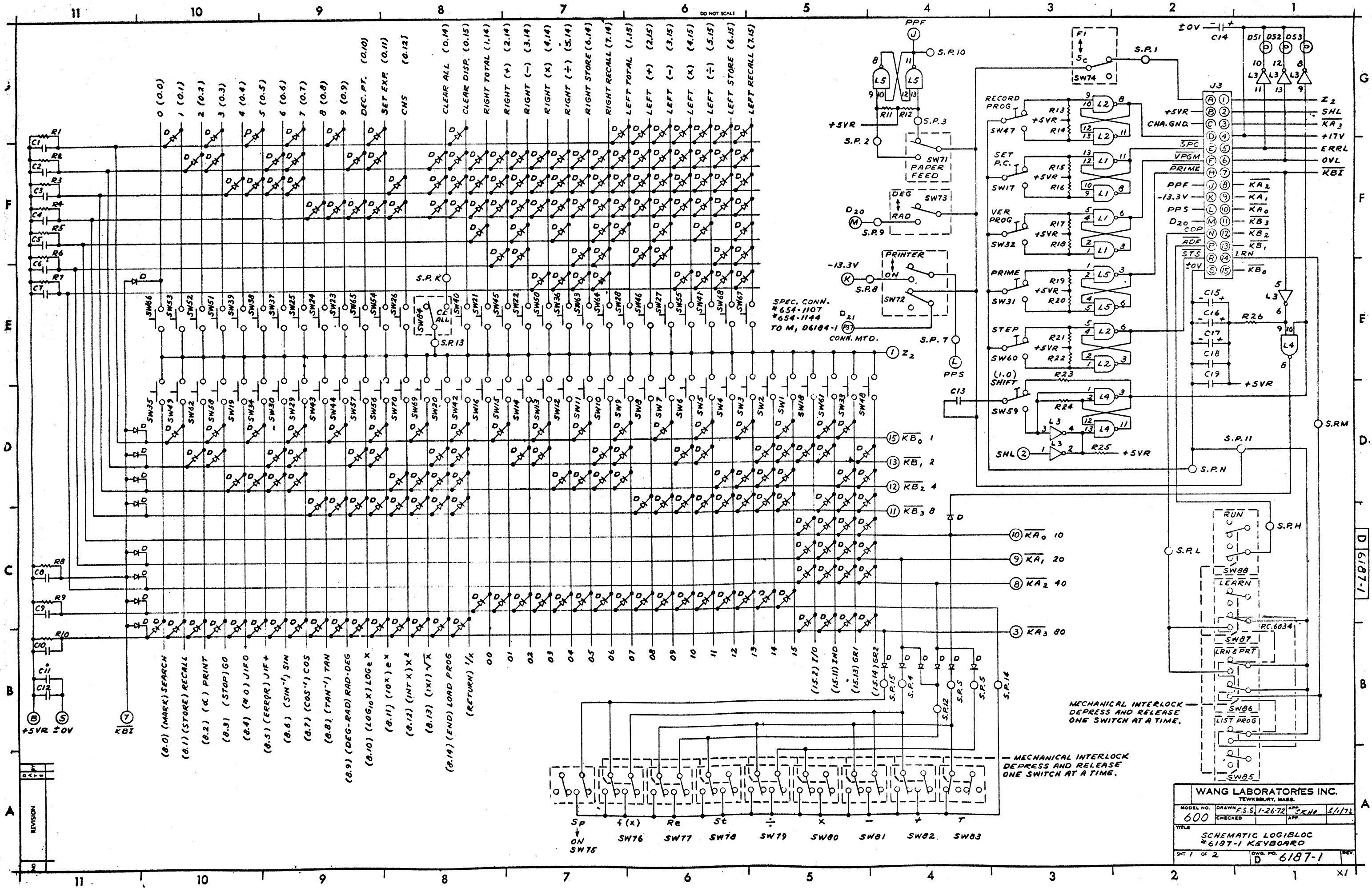
**WANG LABORATORIES INC.**  
TEWKSBURY, MASS.

MODEL NO. 6185  
SER. NO. 1113-75

SCHEMATIC LOGIBLOC #6185  
I/O BUFFER FOR MOD. 600

REV. 4 OF 5

REVISION	DESCRIPTION
1	REVISED PER E.C. 2003
2	REVISED PER E.C. 3127
3	REVISED PER E.C. 3304
4	REVISED PER E.C. 3304
5	REVISED PER E.C. 3007
6	REVISED PER E.C. 3007
7	REVISED PER E.C. 3119
8	REVISED PER E.C. 3022
9	REVISED PER E.C. 3006
10	REVISED PER E.C. 3006



SPEC. CONN.  
# 654-1107  
# 654-1144  
TO M, D6184-1  
CONN. MTD.

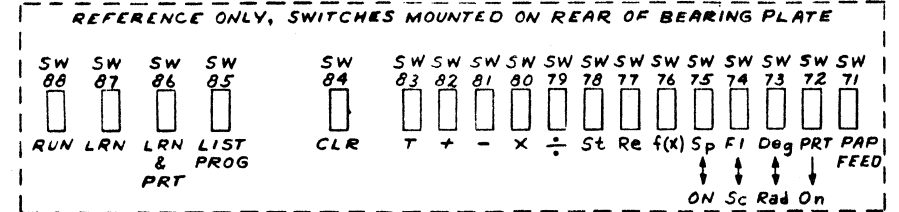
MECHANICAL INTERLOCK  
DEPRESS AND RELEASE  
ONE SWITCH AT A TIME.

MECHANICAL INTERLOCK  
DEPRESS AND RELEASE  
ONE SWITCH AT A TIME.

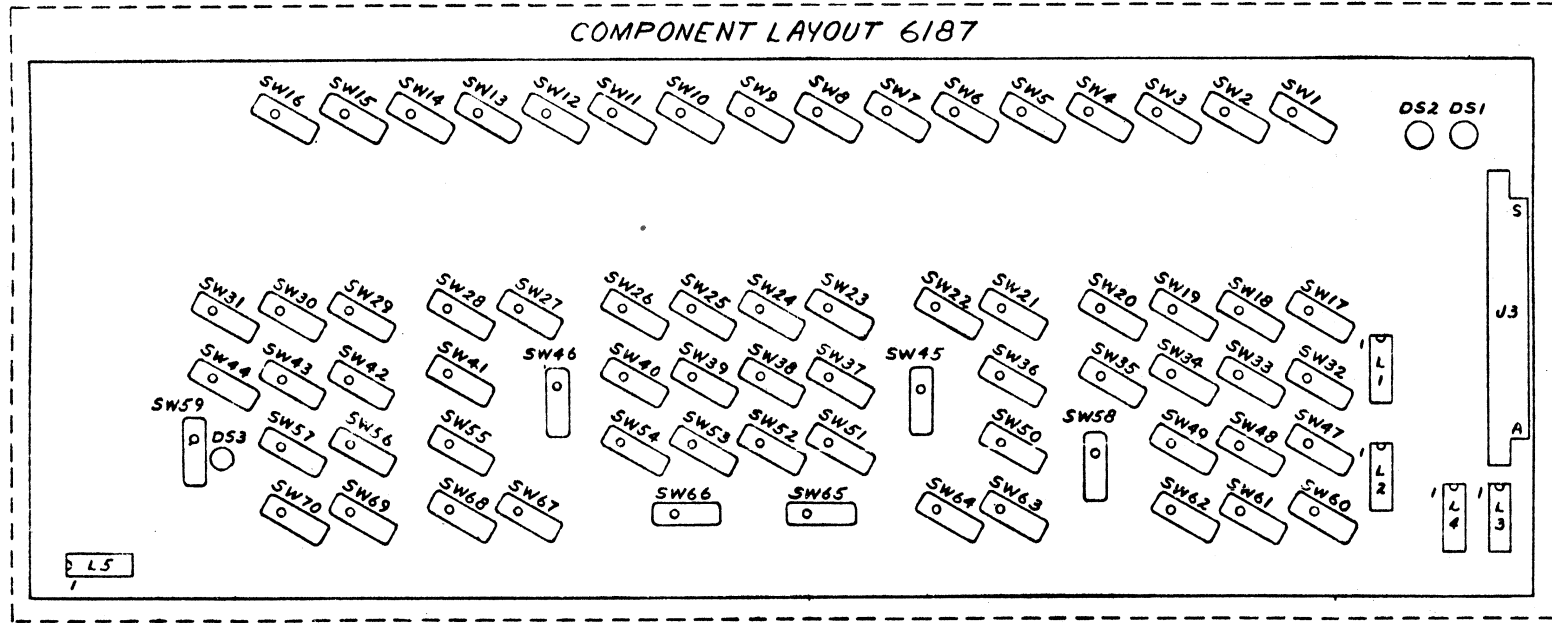
WANG LABORATORIES INC. TEWKSBURY, MASS.			
MODEL NO. 600	DRAWN F.S.S. 1-26-72	APP. S.K.N.	5/1/74
CHECKED			
TITLE SCHEMATIC LOGIBLOC #6187-1 KEYBOARD			
SHT 1 OF 2	DWG. NO. D 6187-1	REV.	

REVISION	DATE	BY	APP.

I.C. LOCATION	TYPE	W.L. NO.	TERM FOR ±0V	TERM FOR VCC +5V	QTY.
L1,2,4,5	F9946	376-0023	7	14	4
L3	SN7406N	376-0055	7	14	1

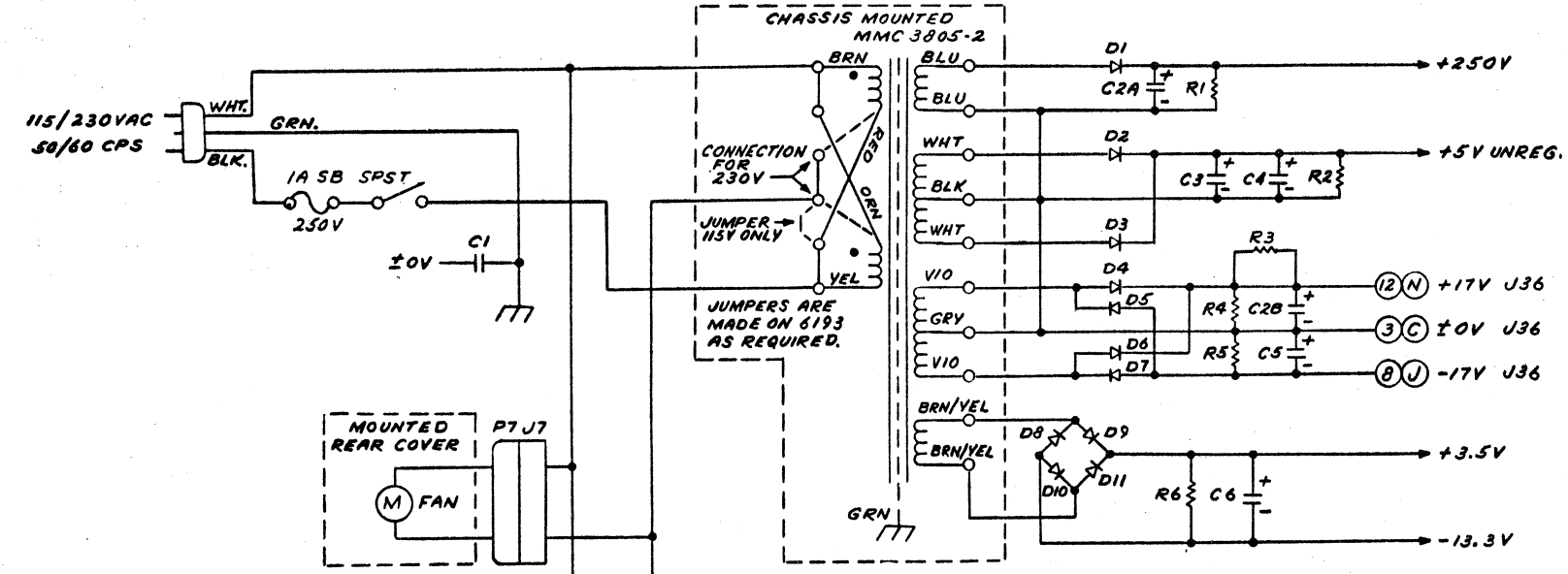


COMPONENT	TYPE & SIZE	W.L. NO.	QTY.
R1,2,3,4,5,6,7,9,10	6.8K 1/4W	330-3528	9
R8	3.3K 1/4W	330-3033	1
R11,12,13,14,15,16,17,18,19,20,21,22,25,26	10K 1/4W	330-4010	14
R23	1M 1/4W	330-6010	1
R24	390.Ω 1/4W	330-2239	1
C1,2,3,4,5,6,7,8,9,10	150μmf	300-1150	10
C11,12,18,19	.05μf 12V	300-1140	4
C13	.01μf 25V	300-1103	1
C14,15	2.2μf 20V TANT.	300-4014	2
C16,17	3.3μf 15V TANT.	300-4016	2
D	SIL. DIODE	380-1001	240
U3	225-21521-10500	350-0009	1
DS1, 2, 3	CLEAR, 1762	370-0004	3
SW1, 2, 3, 4, 5, 6, 7, 8, 9, 10, 11, 12, 13, 14, 15, 16, 18, 19, 20, 21, 22, 23, 24, 25, 26, 27, 28, 29, 30, 33, 34, 35, 36, 37, 38, 39, 40, 41, 42, 43, 44, 45, 46, 48, 49, 50, 51, 52, 53, 54, 55, 56, 57, 58, 61, 62, 63, 64, 65, 66, 67, 68, 69, 70	MIC. SW. 115M804	325-2300	64
SW17, 31, 32, 47, 59, 60	MIC. SW. 115M1	325-2305	6



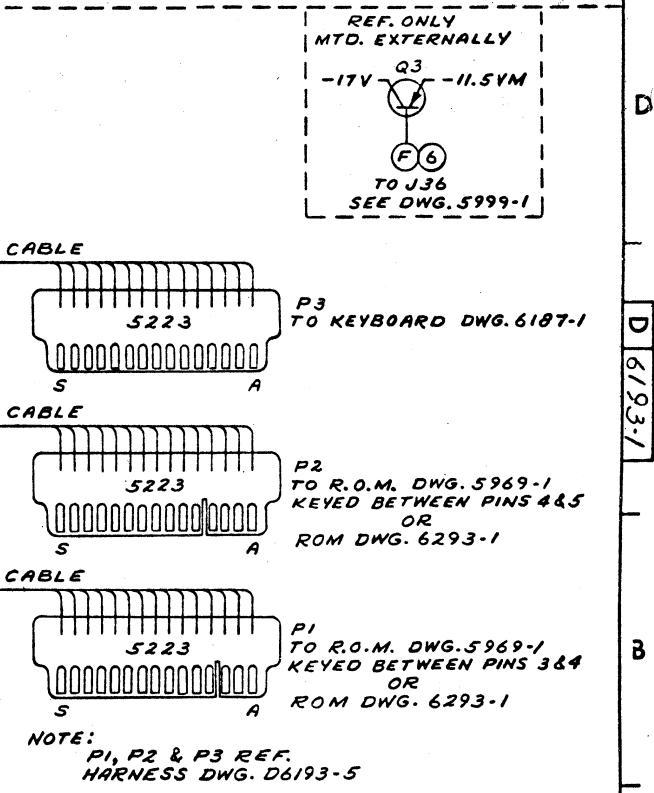
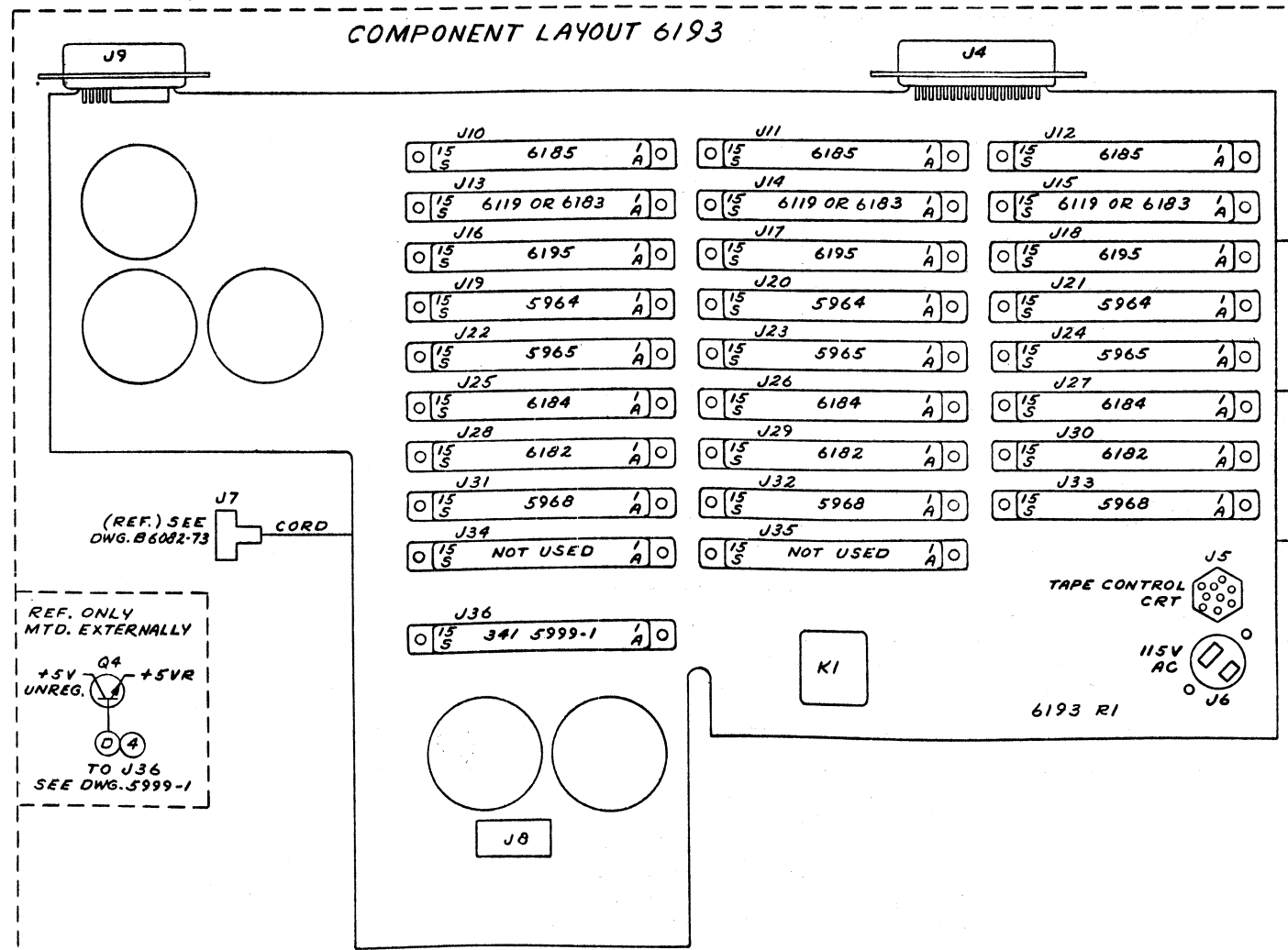
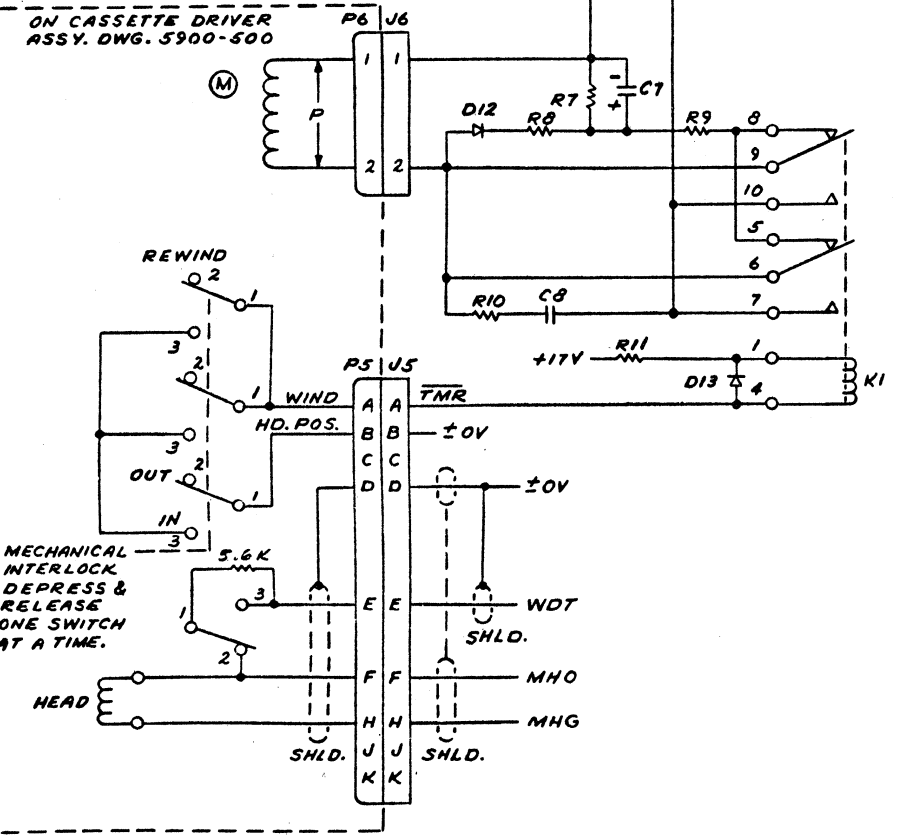
REVISION	DATE	BY
1		

WANG LABORATORIES INC. TEWKSBURY, MASS.			
MODEL NO. 600	DRAWN F.S.S. 1-27-72	APP. S.K.H.D. 5/1/72	
CHECKED		APP.	
TITLE SCHEMATIC LOGIBLOC *6187-1 KEYBOARD			
SHT 2 OF 2	DWG NO. D 6187-1	REV.	



COMPONENT	SIZE, TYPE	W.L. NO.	QTY.
R1	270K 1/2 W	331-5027	1
R2,4,5,6	10K 1/4 W	330-9010	4
R3	150Ω 1W	332-2015	1
R7	820Ω 1W	332-2082	1
R8	5.6K 1W	332-3056	1
R9	47Ω 1/2 W	331-1047	1
R10	100Ω 1/4 W	330-2010	1
R11	82Ω 1W	332-1082	1
C1	.47/400 VDC	300-2347	1
C2A	30/350 VDC	300-3018	1
C2B	3000/20 VDC	300-3018	1
C3,4	14000/12 VDC	300-3045	2
C5,6	6000/20 VDC	300-3019	2
C7	500/25 VDC	300-3021	1
C8	.1 μF 600 VDC	300-2410	1
D1	1N3255	380-3001	1
D2,3,4,5,6,7,8,9,10,11	1N4719	380-3002	10
D12,13	EM403	380-4000	2
K1	SIGMA TOR2-12-DC-5C0	320-0045	1

PART	SIZE, TYPE	W.L. NO.	QTY.
SOCKET	K1, AD-67	341-0019	1
P1,2,3	5223	510-5223	3
J4	57-40360 AMP.	350-1038	1
J5	126-221 AMP.	350-1003	1
J6	302-AB CINCH JONES	654-1110	1
J7	16415 ROTRON CORD	420-1005	1
J8	16 PIN SOCK. CAMBUN	376-9005	1
J9	57-40240 AMP.	350-1025	1
J10 TO J36	257-15-30-014 C.J.	350-0011	27
RIVETS	1/8 DIA. x 3/16 LG. POP	651-0401	2



REVISION	DATE	BY	CHKD	REVISED PER
1	11-1-72			REVISED PER F.C.S. 3063 APP'D. SKH
2				REVISED PER F.C.S. 3063 APP'D. SKH
3				REVISED PER F.C.S. 3063 APP'D. SKH
4				REVISED PER F.C.S. 3063 APP'D. SKH
5				REVISED PER F.C.S. 3063 APP'D. SKH

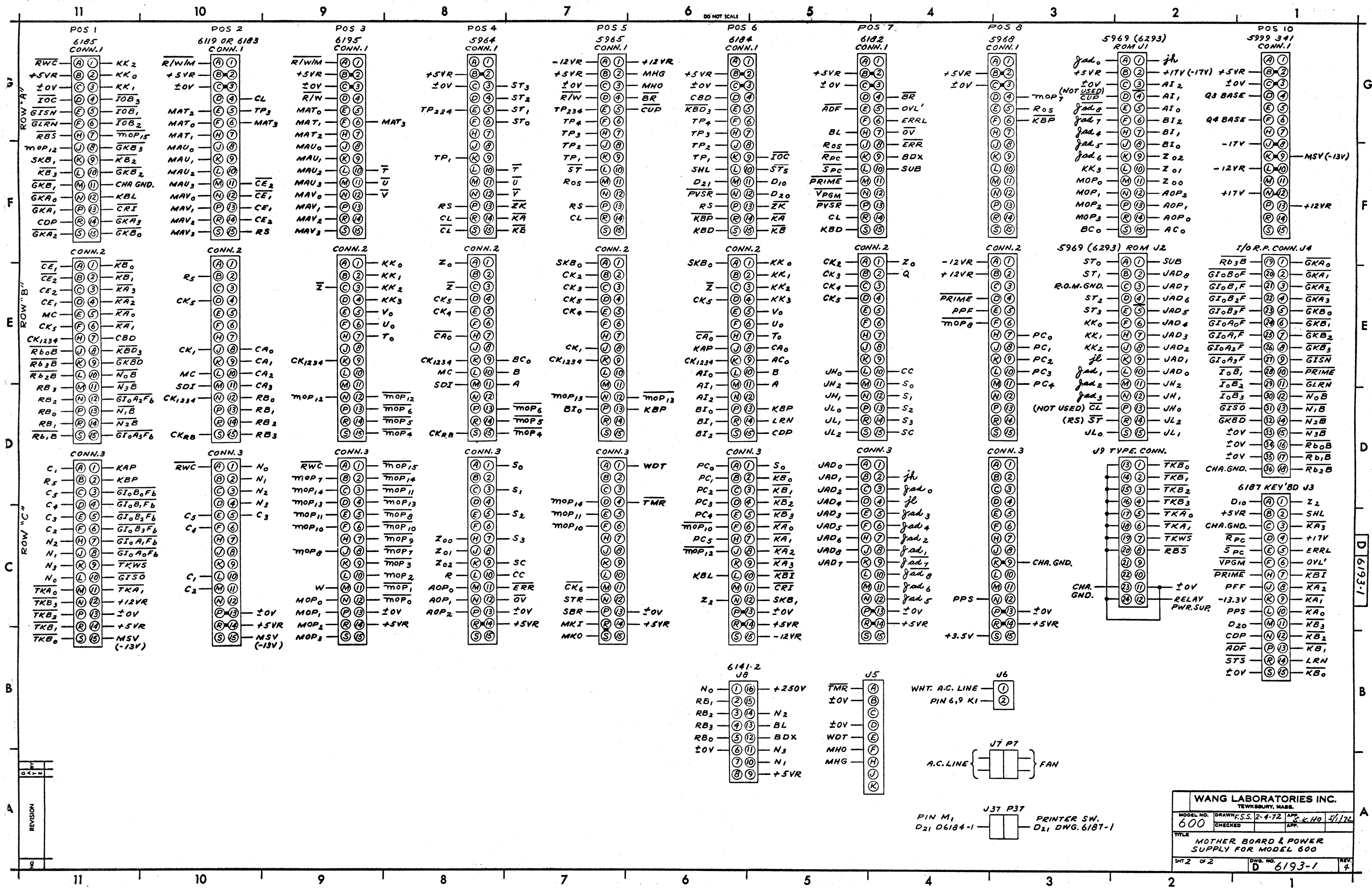
WANG LABORATORIES INC.  
TEWKSBURY, MASS.

MODEL NO. 600 DRAWN F.S.S. 2-7-72 APP. H. 5/1/72

CHECKED APP.

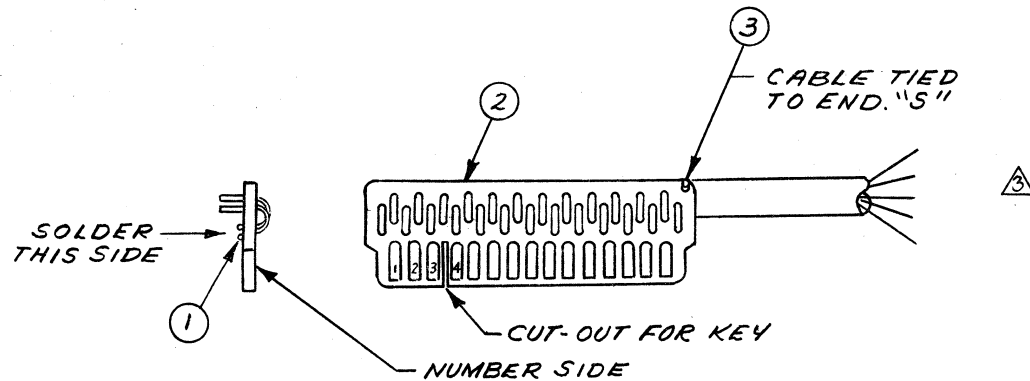
TITLE MOTHER BOARD & POWER SUPPLY FOR MODEL 600

SHT 1 OF 2 DWG. NO. D 6193-1 REV 5



REV.	DESCRIPTION

<b>WANG LABORATORIES INC.</b>			
TEWKSBURY, MASS.			
MODEL NO.	DRAWN F.S.S.	2-4-72	APP. K.H. 5/1/72
600	CHECKED		APP.
TITLE MOTHER BOARD & POWER SUPPLY FOR MODEL 600			
SHT 2 OF 2	DWG. NO.	D 6193-1	



ITEM	DESCRIPTION	W.L. NO.	QTY.
1	SOLDER 63-37	660-0202	A/R
2	P.C. BD. 5223	510-5223PI	1
3	LACING, BLK.	605-1001	A/R

REV.	BY	DATE	REVISIONS
2	F.S.	9-27-73	REVISED & REDRAWN PER REF #0402 APP'D. SKH
3	S.L.	10-18-73	REV. PER REF #0402 9-18-73 L.P.H. C.S.

W.L. NO.	COLOR CODE	FROM 5223 PIN NO.	WIRED ROM (PC 5969) SIGNAL	MOD. 600 TO D6193-1 SEE BELOW	MOD. 1200 TO D6165-1	SEE NOTE 2		
						MOS ROM (PC 6293) SIGNAL	MOD. 600 TO D6193-1	MOD. 1200 TO 6165-1
600-3001	BROWN	1	$iA$	C7-2				
600-3092	WHT/RED	2	+17V	341-N		-17V	341-J	F564, 8,
600-3003	ORANGE	3	$AI_2$	B6-N				
600-3004	YELLOW	4	$AI_1$	B6-M				
600-3005	GREEN	5	$AI_0$	B6-L				
600-3006	BLUE	6	$BI_2$	B6-S				
600-3007	VIOLET	7	$BI_1$	B6-R				
600-3008	GRAY	8	$BI_0$	B5-P				
600-3009	WHITE	9	$Z_{02}$	C4-K				
600-3090	WHT/BLK	10	$Z_{01}$	C4-J				
600-3091	WHT/BRN	11	$Z_{00}$	C4-H				
600-3072	VIO/RED	12	$AOP_2$	C4-P				
600-3093	WHT/ORN	13	$AOP_1$	C4-N				
600-3094	WHT/YEL	14	$AOP_0$	C4-M				
600-3095	WHT/GRN	15	$AC_0$	B6-9				
600-3901	WHT/BLK/BRN	A	$iad_0$	C7-3				
* 600-2002	RED	B	+5VR	C2-R				
* 600-2000	BLACK	C	$\pm 0V$	C2-P				
600-3904	WHT/BLK/YEL	D	$\overline{CUP}$	A5-5		NOT USED		
600-3905	WHT/BLK/GRN	E	$iad_8$	C7-10				
600-3906	WHT/BLK/BLU	F	$iad_7$	C7-9				
600-3907	WHT/BLK/VIO	H	$iad_4$	C7-6				
600-3908	WHT/BLK/GRY	J	$iad_5$	C7-12				
600-3011	TAN	K	$iad_6$	C7-11				
600-3080	GRY/BLK	L	$KK_3$	B6-4				
600-3081	GRY/BRN	M	$MOP_0$	C3-N				
600-3082	GRY/RED	N	$MOP_1$	C3-P				
600-3083	GRY/ORN	P	$MOP_2$	C3-R				
600-3084	GRY/YEL	R	$MOP_3$	C3-S				
600-3085	GRY/GRN	S	$BC_0$	B4-9				

WIRES SOLDERED TO POINTS ALONG EDGE OF MOTHER BOARD REF. DWG. 6165-1 SH.2

NOTE:  
 1. ALL WIRES ARE 26 GAUGE EXCEPT AS INDICATED BY "\*", WHICH IS 24 GAUGE.  
 2. ALL SIGNALS AND SOLDER POINTS ARE THE SAME AS THAT FOR WIRED ROM, EXCEPT SIGNAL & SOLDER POINTS LISTED.  
 3. STRIP  $\frac{3}{16}$  BOTH ENDS & TIN

PIN NUMBER  
 CONNECTOR POSITION NUMBER  
 CONNECTOR ROW NUMBER

TOL. EX. AS NOTED .XX ±.010   FRAC. ±1/16 .XXX ±.008   ANG. ±		<b>WANG LABORATORIES INC.</b> TEWKSBURY, MASS.	
MATERIAL	FINISH	SCALE	TITLE
			ROM CONNECTOR CABLE (PI)
MODEL NO. 1200/ 600	DRAWN F.S.S. 9-24-73	APP. SKH	DATE 10-73
CHECKED		APP.	
W.O. NO. 220-0074	DWG. NO. C 6193-2	REV. 3	

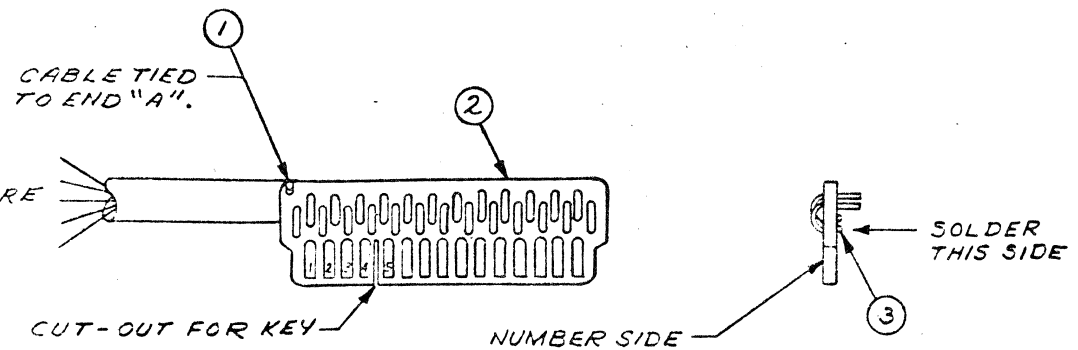
E  
D  
C  
B  
A

E  
D  
C  
B  
A

REV	BY	DATE	REVISIONS
2	F.S.S.	8 27 73	REVISED & REDRAWN PER E.C.#3762 APP'D. SKH

ITEM	DESCRIPTION	W.L. NO.	QTY.
1	SOLDER 63-37	660-0202	A/R
2	P.C. BD. 5223	510-5223 P2	1
3	LACING, BLK.	605-1001	A/R

NOTE:  
ALL CABLE WIRES ARE 30 INCHES LONG.



W.L. NO.	COLOR CODE	FROM 5223 PIN NO.	WIRED ROM (PC 5969) SIGNAL	MOD. 600 TO D6193-1 SEE BELOW	MOD. 1200 TO D6165-1	SEE NOTE 2		
						MOS ROM (PC 6293) SIGNAL	MOD. 600 TO D6193-1 PIN NO.	MOD. 1200 TO 6165-1
600-3001	BROWN	1	SUB	A7-10				
600-3022	PINK	2	JAD <sub>8</sub>	C7-J				
600-3003	ORANGE	3	JAD <sub>7</sub>	C7-K				
600-3004	YELLOW	4	JAD <sub>6</sub>	C7-H				
600-3005	GREEN	5	JAD <sub>5</sub>	C7-F				
600-3006	BLUE	6	JAD <sub>4</sub>	C7-D				
600-3007	VIOLET	7	JAD <sub>3</sub>	C7-E				
600-3008	GRAY	8	JAD <sub>2</sub>	C7-C				
600-3009	WHITE	9	JAD <sub>1</sub>	C7-B				
600-3090	WHT/BLK	10	JAD <sub>0</sub>	C7-A				
600-3091	WHT/BRN	11	JH <sub>2</sub>	B7-M				
600-3072	VIO/RED	12	JH <sub>1</sub>	B7-N				
600-3093	WHT/ORN	13	JH <sub>0</sub>	B7-L				
600-3094	WHT/YEL	14	JL <sub>2</sub>	B7-S				
600-3095	WHT/GRN	15	JL <sub>1</sub>	B7-R				
600-3901	WHT/BLK/BRN	A	ST <sub>0</sub>	A4-6				
600-3902	WHT/BLK/RED	B	ST <sub>1</sub>	A4-5				
* 600-2000	BLACK	C	ROM GND.	C3-13				
600-3904	WHT/BLK/YEL	D	ST <sub>2</sub>	A4-4				
600-3905	WHT/BLK/GRN	E	ST <sub>3</sub>	A4-3				
600-3906	WHT/BLK/BLU	F	KK <sub>0</sub>	B6-1				
600-3907	WHT/BLK/VIO	H	KK <sub>1</sub>	B6-2				
600-3908	WHT/BLK/SRY	J	KK <sub>2</sub>	B6-3				
600-3097	WHT/VIO	K	JL	C7-4				
600-3080	GRY/BLK	L	Jad <sub>1</sub>	C7-8				
600-3081	GRY/BRN	M	Jad <sub>2</sub>	C7-7				
600-3082	GRY/RED	N	Jad <sub>3</sub>	C7-5				
600-3083	GRY/ORN	P	CL	A4-5				NOT USED
600-3084	GRY/YEL	R	ST	A5-L				RS A5-P 6174-1 B <sub>3</sub>
600-3085	GRY/GRN	S	JL <sub>0</sub>	B7-P				

WIRES SOLDERED TO POINTS ALONG EDGE OF MOTHER BOARD REF. DWG. 6165-1 SH.2

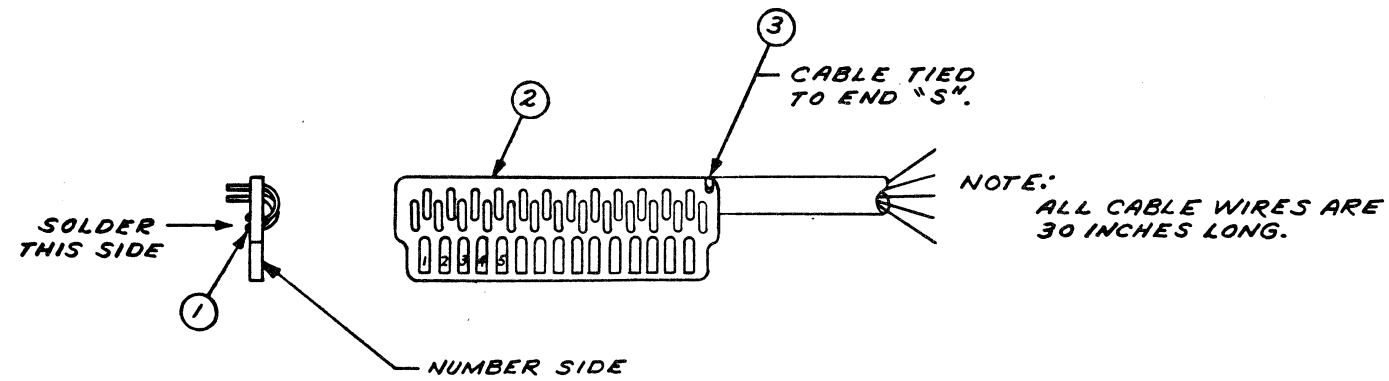
NOTE:  
1. ALL WIRES ARE 26 GAUGE EXCEPT AS INDICATED BY "\*", WHICH IS 24 GAUGE.  
2. ALL SIGNAL AND SOLDER POINTS ARE THE SAME AS THAT FOR WIRED ROM, EXCEPT SIGNAL & SOLDER POINTS LISTED.

PIN NUMBER  
CONNECTOR POSITION NUMBER  
CONNECTOR ROW NUMBER

TOL. EX. AS NOTED .XX ±.010   FRAC. ±/1000 .XXX ±.008   ANG. ±		WANG LABORATORIES INC. TEWKSBURY, MASS.	
MATERIAL	MODEL NO. 1200/600	DRAWN F.S.S. 8-27-73	APP. SKH 9/7/73
FINISH	CHECKED	APP.	
SCALE	TITLE ROM CONNECTOR CABLE (P2)		
	W.O. NO. 220-0075	DWG. NO. C 6193-3	REV. 2

8-86190 ON 348

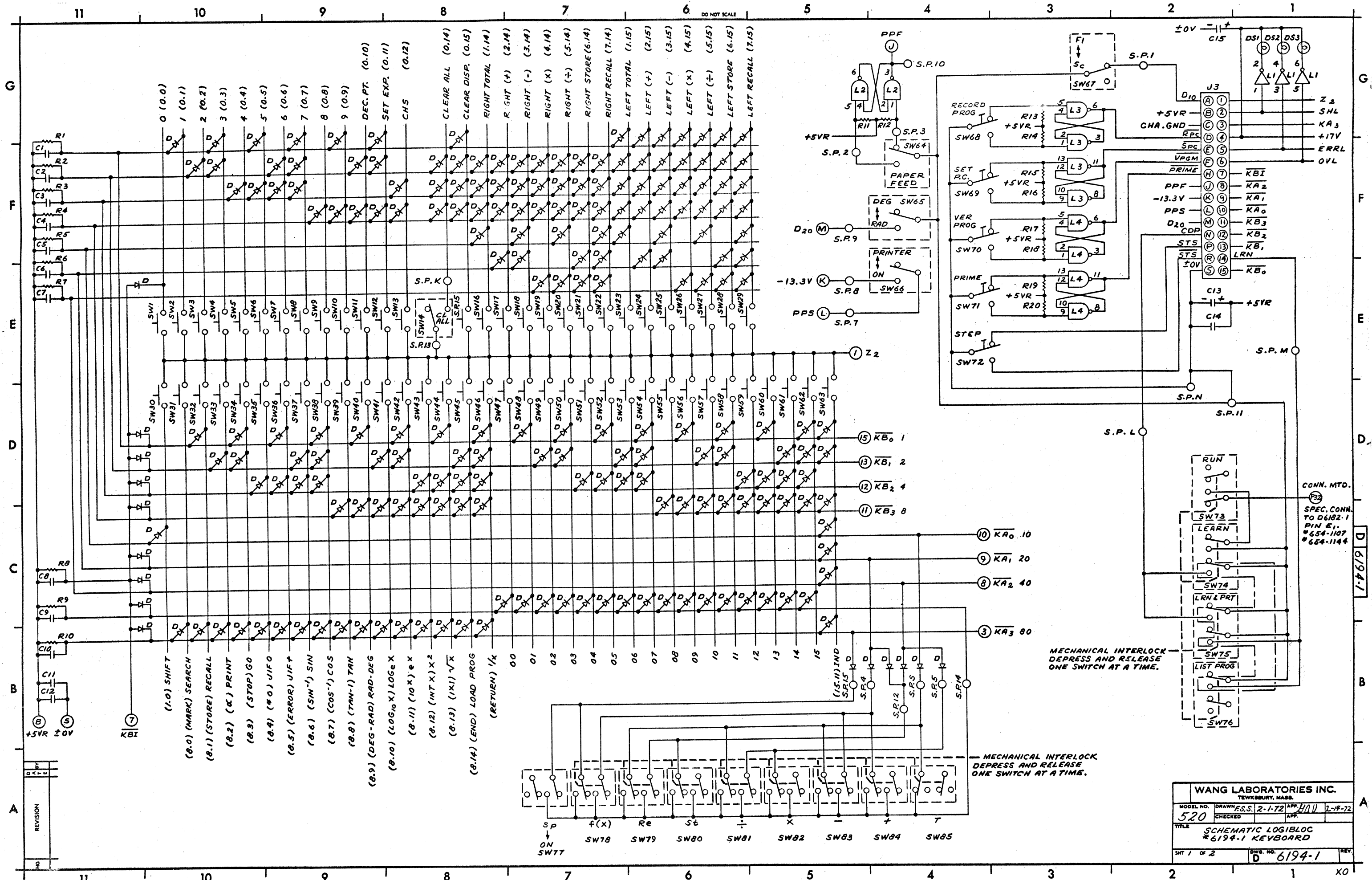




SIGNAL	COLOR CODE	FROM 5223 PIN NO.	TO D6193-1 PIN NO.	W.L. NO.
Z <sub>2</sub>	BROWN	1	C6-N	600-3001
SHL	PINK	2	A6-L	600-3022
KA <sub>3</sub>	ORANGE	3	B1-3	600-3003
+17V	WHT/RED	4	341-12	600-3092
ERRL	GREEN	5	A7-6	600-3005
OVL'	BLUE	6	A7-5	600-3006
KB <sub>1</sub>	VIOLET	7	C6-10	600-3007
KA <sub>2</sub>	GRAY	8	B1-4	600-3008
KA <sub>1</sub>	WHITE	9	B1-6	600-3009
KA <sub>0</sub>	WHT/BLK	10	B1-5	600-3090
KB <sub>3</sub>	WHT/BRN	11	A1-L	600-3091
KB <sub>2</sub>	VIO/RED	12	A1-9	600-3072
KB <sub>1</sub>	WHT/ORN	13	B1-2	600-3093
LRN	WHT/YEL	14	B6-14	600-3094
KB <sub>0</sub>	WHT/GRN	15	B1-1	600-3095
D <sub>10</sub>	WHT/BLK/RED	A	A6-11	600-3902
+5VR	RED	B	A8-B	600-3002
CHA. GND.	GRN/YEL	C	CHA. GND.	600-3054
R <sub>PC</sub>	WHT/BLK/YEL	D	A7-K	600-3904
S <sub>PC</sub>	WHT/BLK/GRN	E	A7-L	600-3905
V <sub>PGM</sub>	WHT/BLK/BLU	F	A7-N	600-3906
PRIME	WHT/BLK/VIO	H	A7-M	600-3907
PPF	WHT/BLK/GRY	J	B8-E	600-3908
-13.3V	WHT/VIO	K	-13.3V	600-3097
PPS	GRY/BLK	L	C8-N	600-3080
D <sub>20</sub>	GRY/BRN	M	A6-12	600-3081
TP <sub>3</sub>	GRY/RED	N	A2-5	600-3082
ADF	GRY/ORN	P	A7-E	600-3083
ST <sub>3</sub>	VIO/YEL	R	A6-10	600-3074
±0V	BLACK	S	A8-C	600-3000

ITEM	DESCRIPTION	W.L. NO.	QTY.
1	SOLDER 63-37	660-0202	A/R
2	P.C. BD. 5223	510-5223	1
3	LACING, BLK.	605-1001	A/R

WANG LABORATORIES INC.				
TEWKSBURY, MASS.				
MODEL NO.	DRAWN	DATE	APP.	REV.
600	F.S.S.	3-28-72	CW	3-28-72
	CHECKED		APP.	
TITLE				
KEYBOARD CONNECTOR CABLE (P3)				
W.O. NO.	DWG. NO.	REV.		
220-0077	C 6193-4			



REV	DATE	BY	CHKD
1			

<b>WANG LABORATORIES INC.</b> TEWKSBURY, MASS.			
MODEL NO.	DRAWN	EG.S.	2-1-72
520	CHECKED	APP.	2-4-72
TITLE <b>SCHEMATIC LOGIBLOC #6194-1 KEYBOARD</b>			
SHT 1 OF 2	DWG. NO.	D 6194-1	

CONN. MTD. TO D6192-1 PIN #1, #654-1107, #654-1144

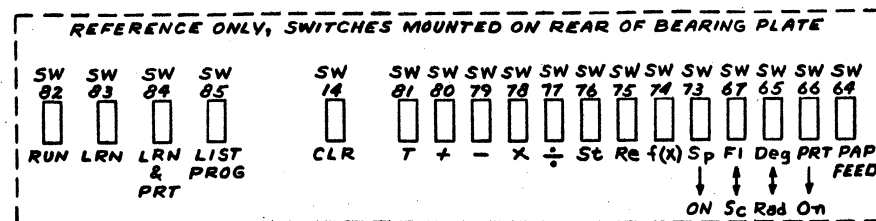
D 6194-1

MECHANICAL INTERLOCK DEPRESS AND RELEASE ONE SWITCH AT A TIME.

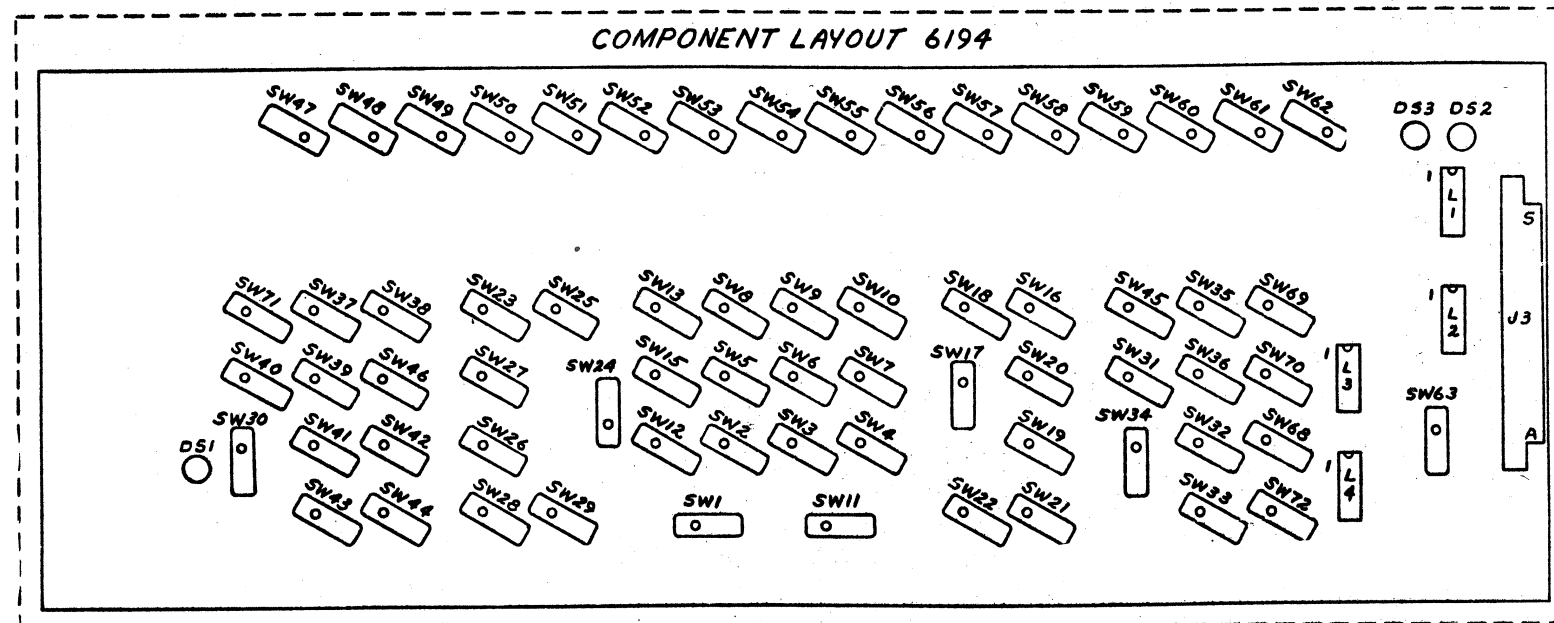
MECHANICAL INTERLOCK DEPRESS AND RELEASE ONE SWITCH AT A TIME.

DO NOT SCALE

I.C. LOCATION	TYPE	W.L. NO.	TERM FOR 50V	TERM FOR VCC 7.5VR	QTY.
L1	SN7406N	376-0055	7	14	1
L2,3,4	F9946	376-0023	7	14	3

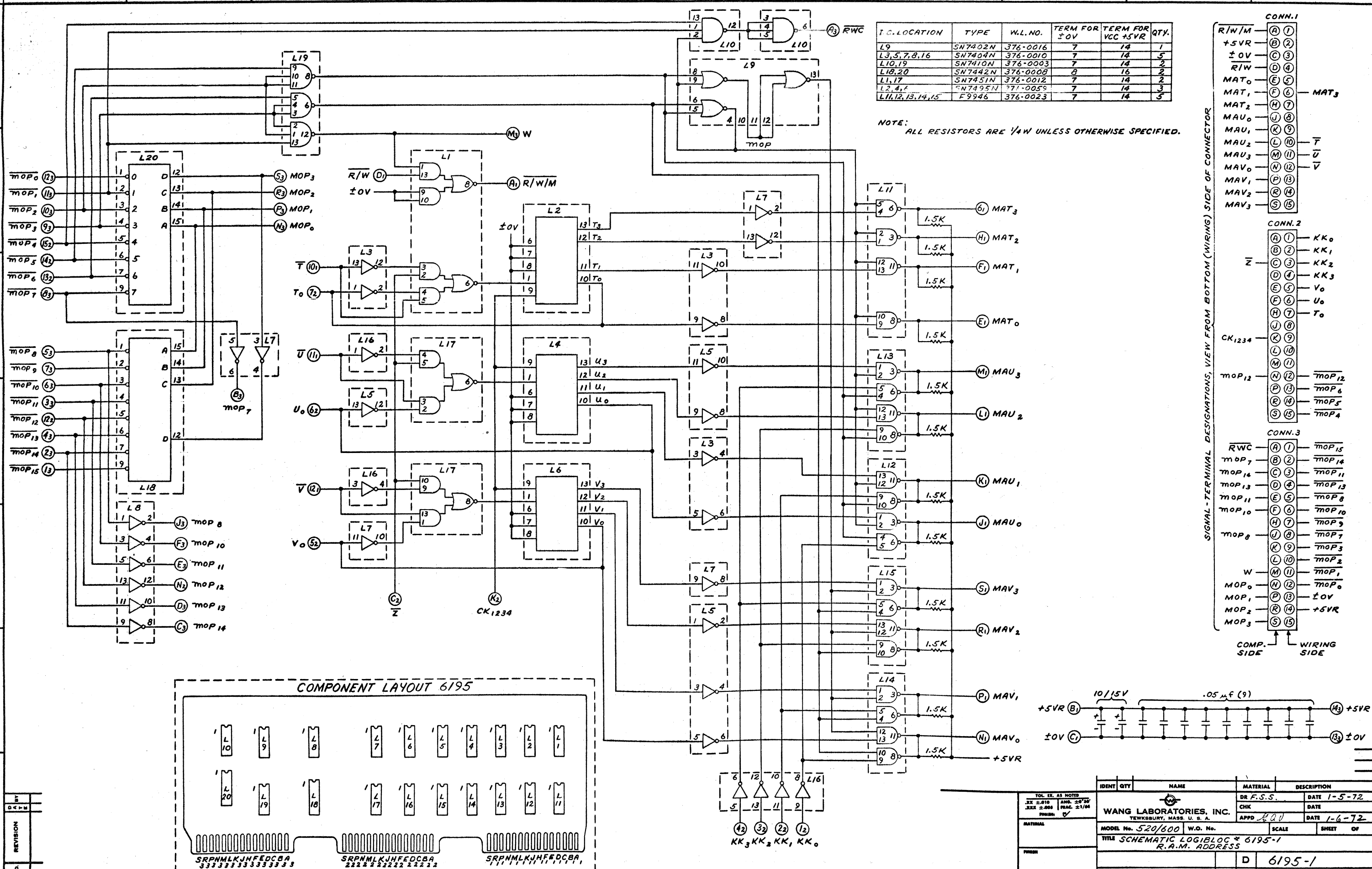


COMPONENT	TYPE & SIZE	W.L. NO.	QTY.
R1,2,3,4,5,6,7,9,10	6.8K 1/4W	330-3068	9
R8	3.3K 1/4W	330-3033	1
R11,12,13,14,15,16,17,18,19,20	10K 1/4W	330-4010	10
C1,2,3,4,5,6,7,8,9,10	150μf	300-1150	10
C11,14	3.3μf 15V TANT.	300-4016	2
C12	.05μf	300-1900	1
C13,15	2.2μf 20V TANT.	300-4014	2
D	SIL. DIODE	380-1001	221
J3	225-21521-10500	350-0009	1
DS1, 2, 3	CLEAR, 1762	370-0004	3
SW1, 2, 3, 4, 5, 6, 7, 8, 9, 10, 11, 12, 13, 15, 16, 17, 18, 19, 20, 21, 22, 23, 24, 25, 26, 27, 28, 29, 30, 31, 32, 33, 34, 35, 36, 37, 38, 39, 40, 41, 42, 43, 44, 45, 46, 47, 48, 49, 50, 51, 52, 53, 54, 55, 56, 57, 58, 59, 60, 61, 62, 63	MIC. SW. 115M804	325-2300	62
SW68, 69, 70, 71, 72	MIC. SW. 115M1	325-2305	5



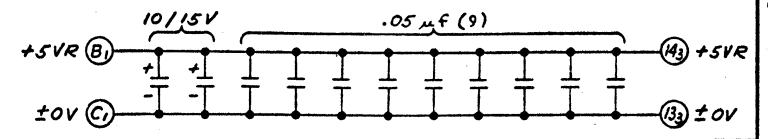
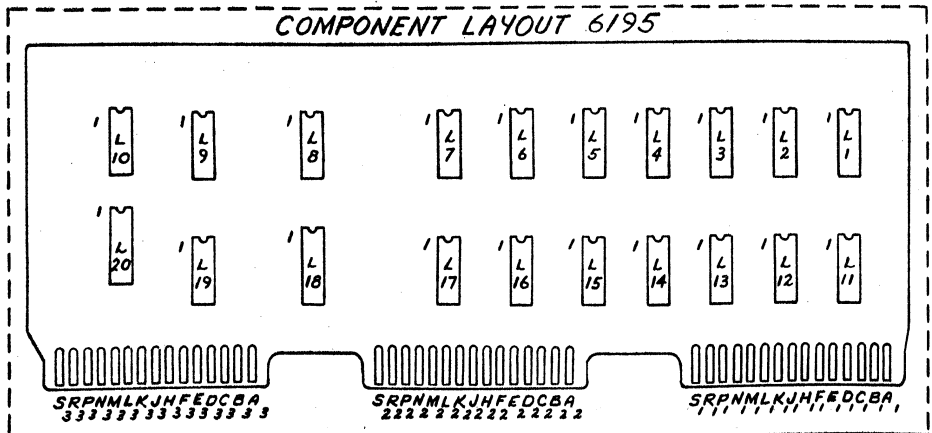
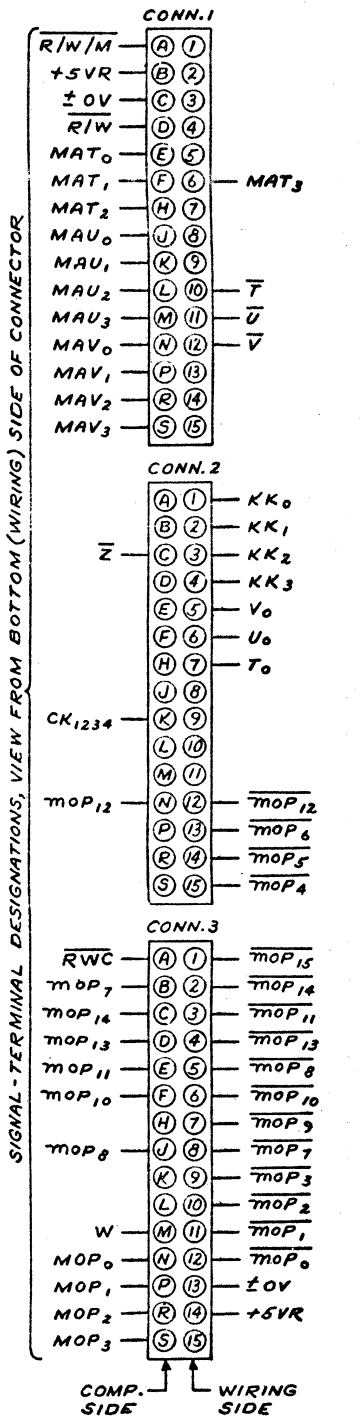
REV.	DATE	BY
1		

WANG LABORATORIES INC.			
TEWKSBURY, MASS.			
MODEL NO.	DRAWN	APP.	DATE
520	F.S.S.	2-2-72	2-14-72
CHECKED	APP.		
TITLE			
SCHEMATIC LOGIBLOC #6194-1 KEYBOARD			
SHT 2 OF 2	DWG. NO.	REV.	
	D 6194-1		



I.C. LOCATION	TYPE	W.L. NO.	TERM FOR ±OV	TERM FOR VCC +5VR	QTY.
L9	SN7402N	376-0016	7	14	1
L3,5,7,8,16	SN7404N	376-0010	7	14	5
L10,19	SN7410N	376-0003	7	14	2
L18,20	SN7442N	376-0008	8	16	2
L1,17	SN7451N	376-0012	7	14	2
L2,4,11	SN7495N	771-0058	7	14	3
L11,12,13,14,15	F9946	376-0023	7	14	5

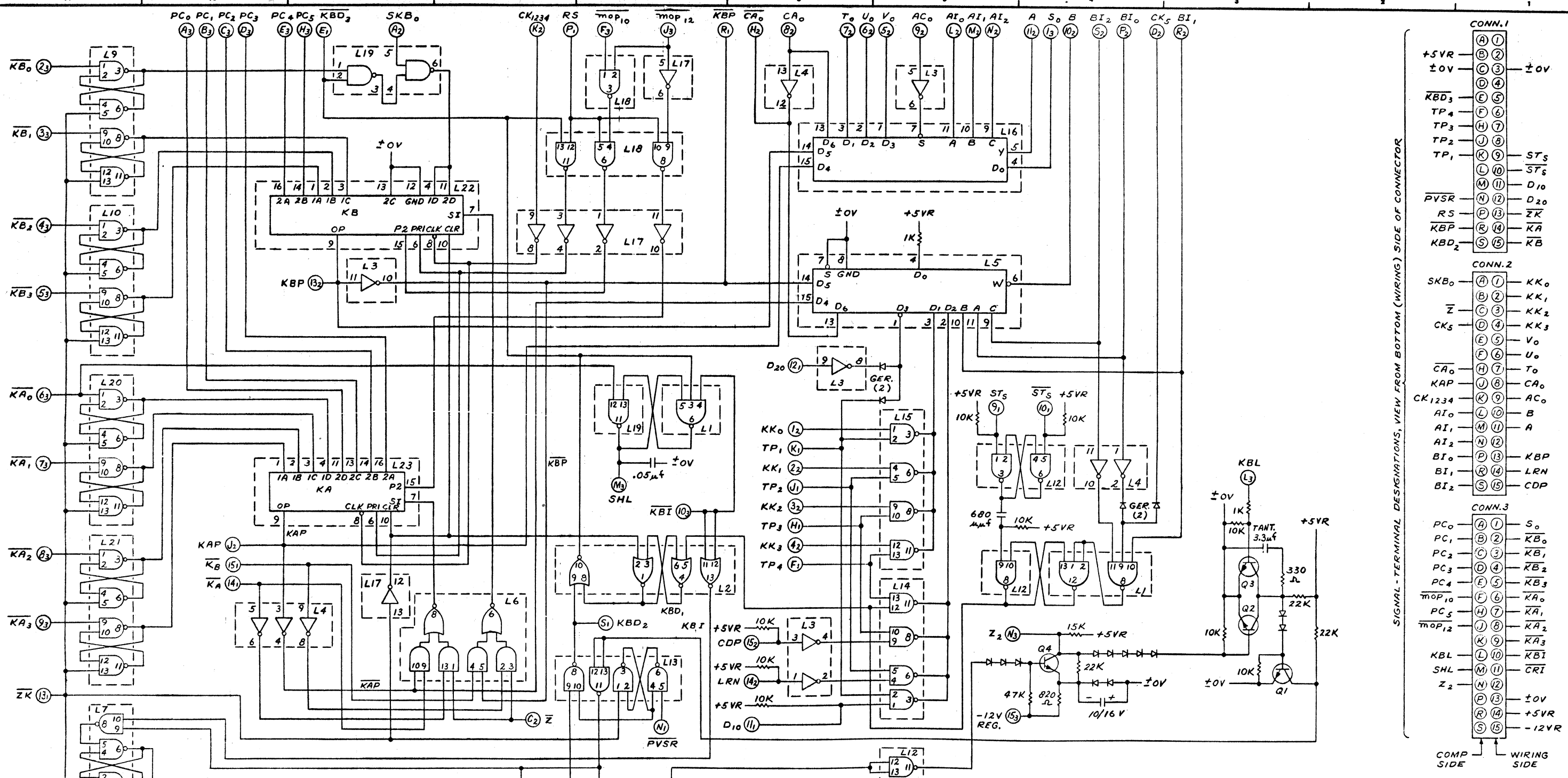
NOTE: ALL RESISTORS ARE 1/4W UNLESS OTHERWISE SPECIFIED.



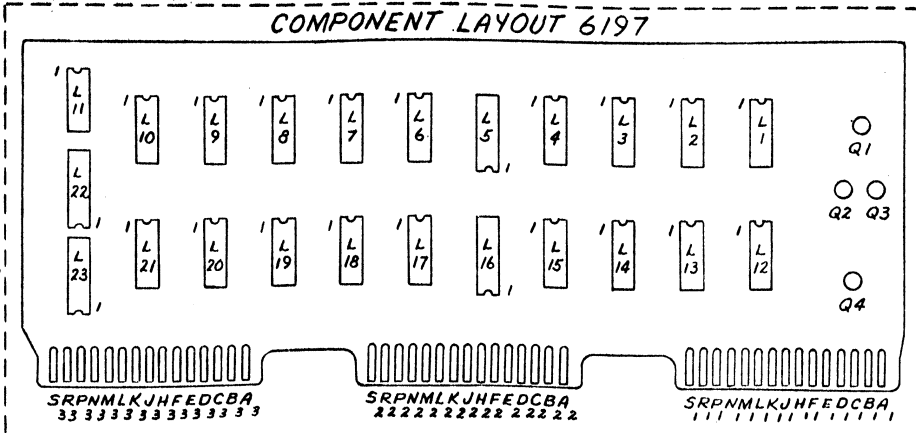
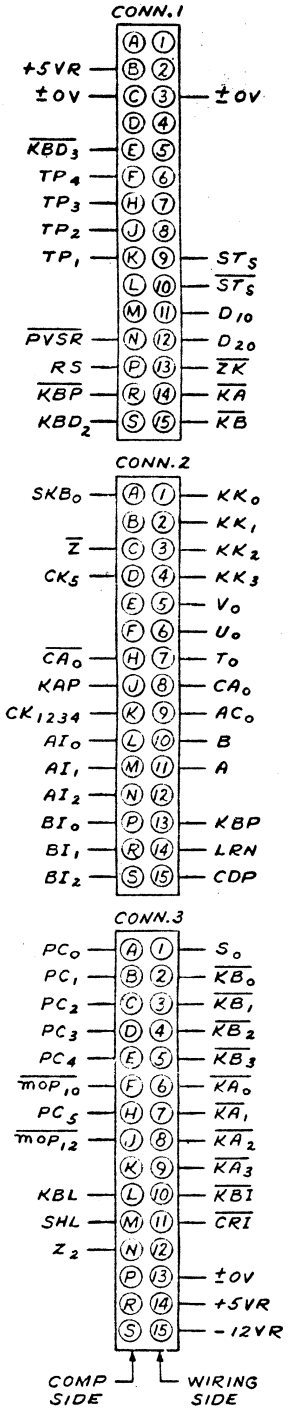
REVISION	BY	DATE

IDENT	QTY	NAME	MATERIAL	DESCRIPTION
			DR F.S.S.	DATE 1-5-72
			CHK	DATE
			APPD	DATE 1-6-72
MODEL No. 520/600		W.O. No.	SCALE	SHEET OF
TITLE SCHEMATIC LOGIBLOC * 6195-1				
R.A.M. ADDRESS				
PART NUMBER	REV	SIZE	DRAWING NUMBER	
			D 6195-1	

DO NOT SCALE



SIGNAL - TERMINAL DESIGNATIONS, VIEW FROM BOTTOM (WIRING) SIDE OF CONNECTOR



NOTE:  
 1. ALL RESISTORS ARE 1/4 W UNLESS OTHERWISE SPECIFIED.  
 2. ALL DIODE ARE SILICON W.L. \*380-1001 UNLESS OTHERWISE SPECIFIED, GERMANIUM ARE 380-0000.  
 3. Q1 THRU Q4 ARE 38360, W.L. \*375-1005.

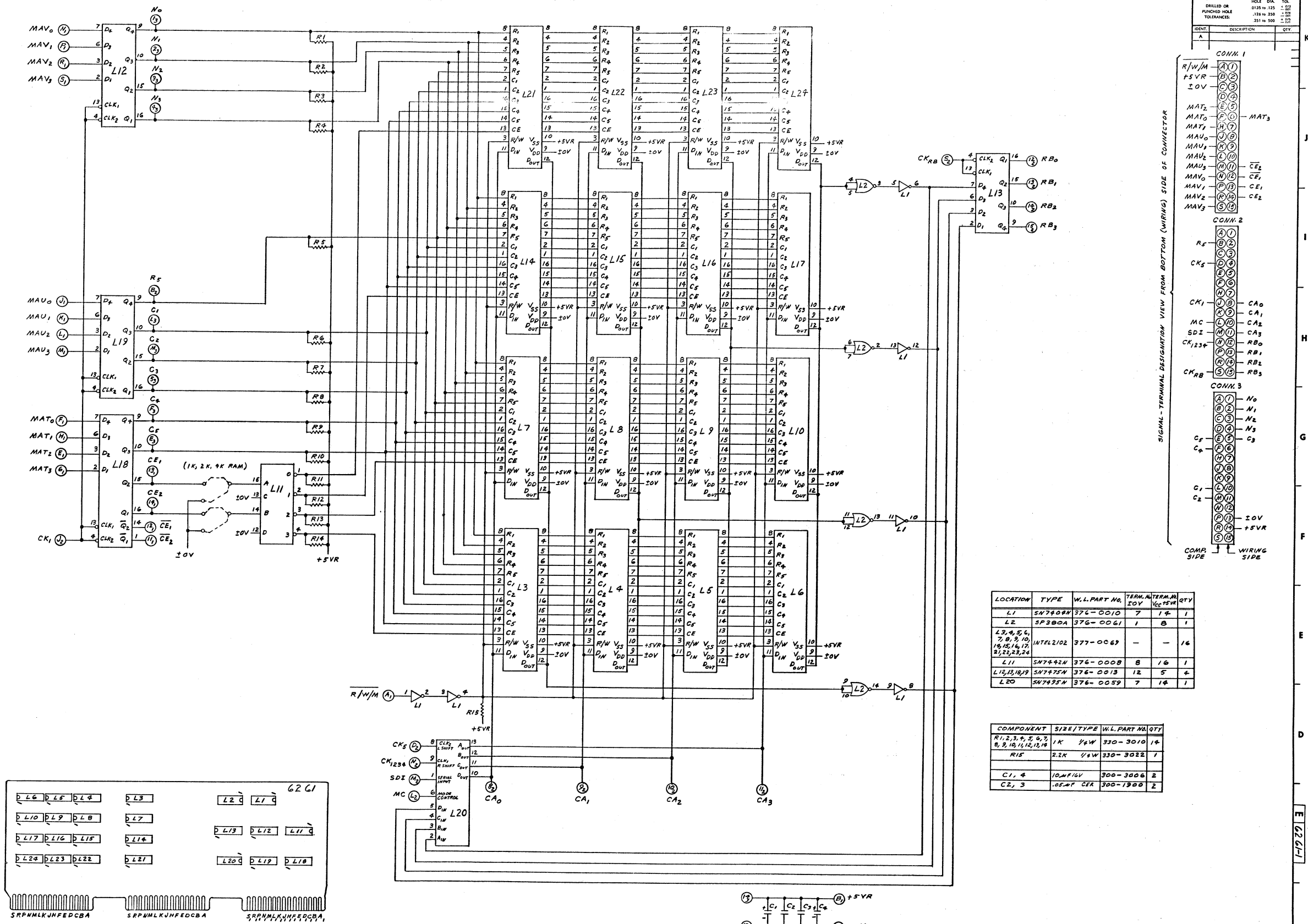
I.C. LOCATION	TYPE	W.L. NO.	TERM FOR ±0V	TERM FOR VCC +5V	QTY.
L13,18,19	SN7400N	376-0002	7	14	3
L2	SN7402N	376-0016	7	14	1
L3,4,17	SN7404N	376-0010	7	14	3
L1,8	SN7410N	376-0003	7	14	2
L6	SN7451N	376-0012	7	14	1
L22,23	SN7494N	376-0064	12	5	2
L7,9,10,12,14,15,20,21	F9946	376-0023	7	14	8
L11	F9935	376-0025	7	14	1
L5,16	SN74151N	376-0047	8	16	2

IDENT	QTY	NAME	MATERIAL	DESCRIPTION
WANG LABORATORIES, INC.				
TEWKSBURY, MASS. U. S. A.				
MODEL No. 520		W.O. No.		SCALE
TITLE SCHEMATIC LOGIBLOC *6197-1 KA & KB REGISTER				
PART NUMBER		REV	SIZE	DRAWING NUMBER

REVISION	BY	DATE
1		

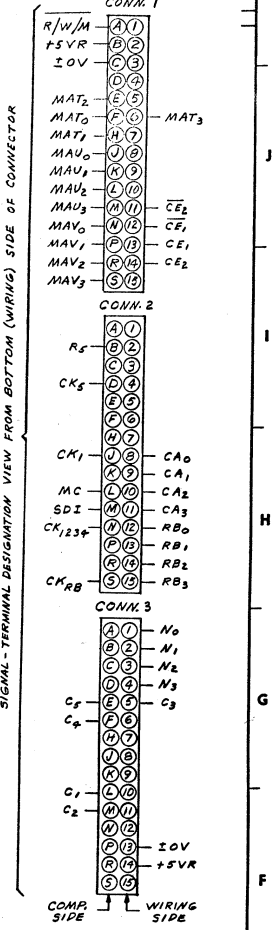
D 6197-1

THIS DOCUMENT IS THE PROPERTY OF WANG LABORATORIES, INC. AND SHALL NOT BE REPRODUCED OR COPIED, OR USED AS A BASIS FOR THE MANUFACTURE OR SALE OF APPARATUS OR DEVICES WITHOUT PERMISSION.



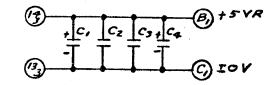
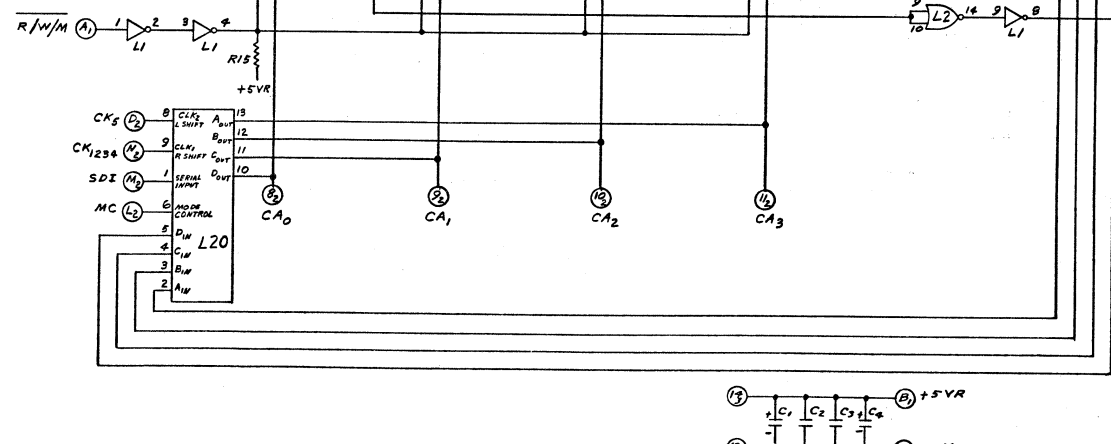
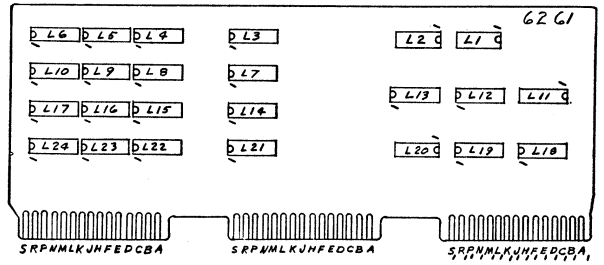
HOLE LEGEND

HOLE DIA.	TOL.
DRILLED OR PUNCHED HOLE	±.015
TOLERANCES:	±.005
	±.010
	±.020



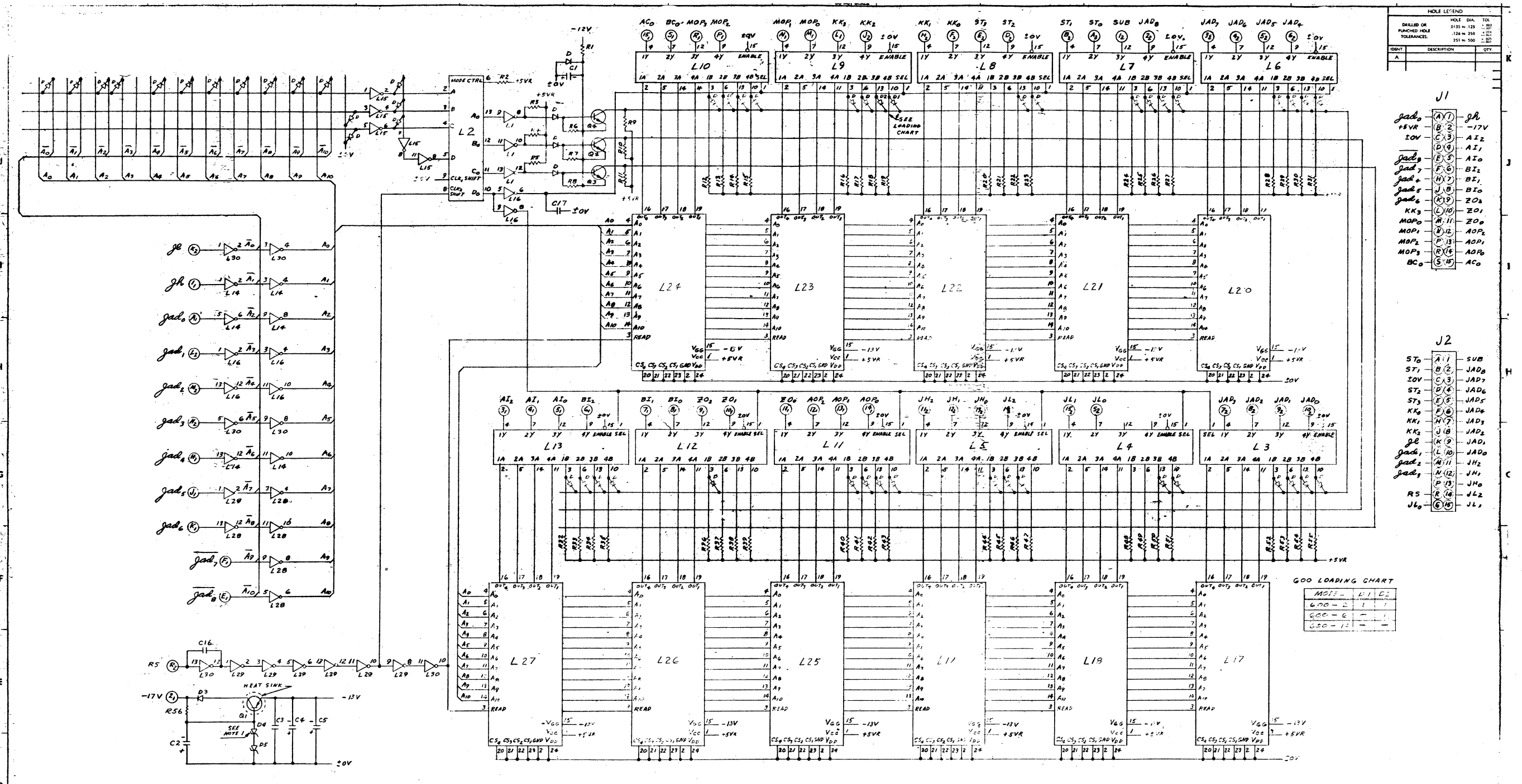
LOCATION	TYPE	W.L. PART NO.	TERM.	TERM. NO.	QTY
L1	SN7409N	376-0010	7	14	1
L2	SP380A	376-0061	1	8	1
L3, 4, 5, 6, 7, 8, 9, 10, 11, 12, 13, 14, 15, 16, 17, 18, 19, 20, 21, 22, 23, 24	INTEL2102	377-0069	-	-	16
L11	SN7442N	376-0008	8	16	1
L12, 13, 18, 19	SN7475N	376-0013	12	5	4
L20	SN7495N	376-0059	7	14	1

COMPONENT	SIZE/TYPE	W.L. PART NO.	QTY
R1, 2, 3, 4, 5, 6, 7, 8, 9, 10, 11, 12, 13, 14	1K 1/4W	330-3010	14
R15	2.2K 1/4W	330-3022	1
C1, 4	10M/16V	300-3006	2
C2, 3	.05M/16V CER	300-1300	2



REV.	DATE	DESCRIPTION
1	1-18-78	INITIAL DESIGN
2	1-25-78	REVISED FOR MANUFACTURE

WANG PART NO.	ITEM	QTY	NAME	MATERIAL	DESCRIPTION
	1		WANG	LABORATORIES, INC.	DATE: 1-25-78
	2			TELETYPE, MASS. U.S.A.	APPROVED BY: [Signature]
	3				DATE: 1/14/78
	4				CHK: M ENGR
	5				MFG ENGR
	6				E.C. CONTROL
	7				TITLE: SCHEMATIC LOGIBLOC 6261
	8				2K BYTES STATIC R.A.M.
	9				WANG PART NUMBER: E 6261-1
	10				SIZE: 11
	11				DRAWING NUMBER: 1
	12				REV: 1

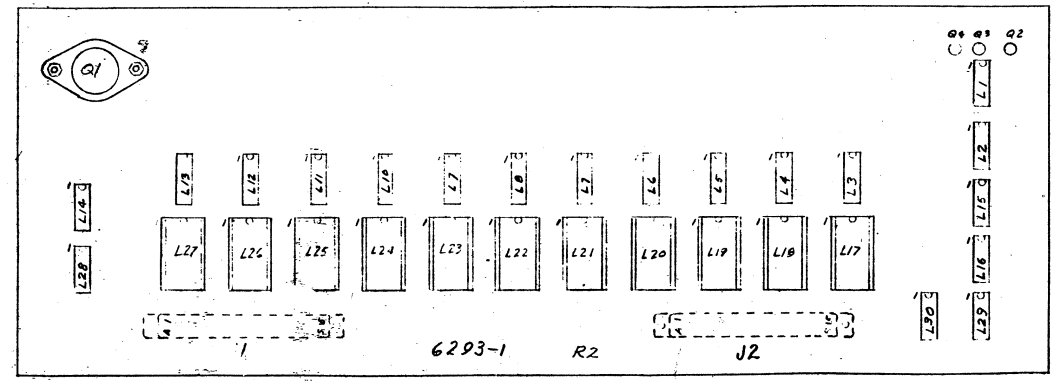


DRILL OR PUNCHED HOLE	HOLE DIA.	TOL.
1/16" - 5/16"	.005	.002
3/16" - 1/2"	.010	.003
1/2" - 5/8"	.015	.004

DESCRIPTION	QTY.
AD0	1
AD1	1
AD2	1
AD3	1
AD4	1
AD5	1
AD6	1
AD7	1
AD8	1
AD9	1
AD10	1
AD11	1
AD12	1
AD13	1
AD14	1
AD15	1

DESCRIPTION	QTY.
ST0	1
ST1	1
ST2	1
ST3	1
ST4	1
ST5	1
ST6	1
ST7	1
ST8	1
ST9	1
ST10	1
ST11	1
ST12	1
ST13	1
ST14	1
ST15	1

MOUSE	L1	L2
600-2	1	1
600-6	1	1
600-12	1	1



COMPONENT	SIZE/TYPE	W.L. PART NO.	QTY
R1	120A 2W	337-2012	1
R2, 12 THRU 55	10K 1/4W	330-4010	45
R9, 4, 5	680Ω 1/4W	330-2068	3
R6, 7, 8	1K 1/4W	330-3010	3
R9, 10, 11	4.7K 1/4W	330-3047	3
R56	120A 1/2W	331-2012	1
C16	47P CER.	300-1047	1
C1	33MFD 35V TANT	300-4039	1
C2	10MFD 35V ELECT	300-3033	1
C3	.02MFD CER	300-1904	1
C4, 5	10MFD 35V TANT	300-1032	2
C6, 15	15MFD 35V TANT	300-4022	1
C7, 8, 9, 10, 11, 12, 13, 14	.05MFD CER	300-1900	9
C17	330P CER	300-1390	1
D1, D2	DIODE SIL	380-1008	56
D3	EM 403	380-4000	1
D4	1N755A 7.5V	380-2075	1
D5	1N754A 6.8V	380-2068	1
Q1	2N4246	375-1029	1
Q2, 3, 4	2N3014	375-0017	3
J1, 2	CINCH JONES CONN	850-4118	2
L17 THRU L27	24 PIN SOCKET	376-9003	11

LOCATION	TYPE	W.L. PART NO.	TERM. NO.	TERM. NO. TO	QTY
L1	S4740EN	376-0055	7	7	1
L2	S4749EN	376-0059	7	7	1
L3, 4, 5, 6, 7, 8, 9, 10, 11, 12, 13	S4751EN	376-0082	8	16	11
L14, 16, 28, 29, 30	S4750EN	376-0010	7	19	5
L15	9935	376-0043	7	12	1
L17	M6160N	377-0125	2	1	2
L18	CM610N	377-0127	2	1	2
L19	CM617N	377-0126	2	1	2
L20	CM609N	377-0124	2	1	2
L21	CM608N	377-0123	2	1	2
L22	CM607N	377-0122	2	1	2
L23	CM606N	377-0121	2	1	2
L24	CM605N	377-0120	2	1	2
L25	CM604N	377-0119	2	1	2
L26	CM603N	377-0118	2	1	2
L27	CM602N	377-0117	2	1	2

NOTE: 1. ADJUST THE D4 DIODE FOR AN OUTPUT OF -12.6 VOLTS MINIMUM TO -13.4 VOLTS MAXIMUM ON THE -13V BUSS

E-REV 2

REV.	DATE	BY	DESCRIPTION
1			
2			
3			
4			
5			
6			
7			
8			
9			
10			
11			
12			
13			
14			
15			
16			
17			
18			
19			
20			
21			
22			
23			
24			
25			
26			
27			
28			
29			
30			

WANG PART NO.	ITEM	QTY.	N.A.M.E.	MATERIAL	DESCRIPTION									
600	ASSEMBLY	1	WANG	BY DATE	APPROVED BY DATE									
<table border="0"> <tr> <td>WANG</td> <td>WANG</td> <td>WANG</td> </tr> <tr> <td>DESIGNER</td> <td>CHEK</td> <td>M ENGR</td> </tr> <tr> <td>C. C. CONTROL</td> <td colspan="2">MFG ENGR</td> </tr> </table>						WANG	WANG	WANG	DESIGNER	CHEK	M ENGR	C. C. CONTROL	MFG ENGR	
WANG	WANG	WANG												
DESIGNER	CHEK	M ENGR												
C. C. CONTROL	MFG ENGR													
TITLE SCHEMATIC LOGIC LOC 6293-1 SOLID STATE R.O.M.														
FINISH 210-6293-1 E 6293-1 3														
SCALE SHEET OF														