

802.1CBdb draft 0.0

C. Mangin

IEEE 802.1 Interim, Salt Lake City

May, 2019

CBDB OUTLINE

Changes in 802.1CB

- Clause 6 : addition of a new passive stream identification function
 - Clause 6.8
 - Chose a name: "mask-and-match"
 - Passive identification function that sits at the EISS' interface with the upper layers
 - Takes specific EISS's indication primitive parameters as input:
 - source_address, destination_address, vlan_identifier, mac_service_msdu
 - The function defines a set of bit fields, obtained by masking these input parameters
 - The *stream_handle* produced by the function is derived from the matching of the bit field(s) with values specific to an instance of the identification function.

Changes in 802.1CB

- Clause 5 “Conformance”:
 - Mmld optional in Talkers, Listeners
 - Mmld recommended in Relay systems
- Clause 9 “Stream Identification Management”
 - Addition of a new *tsnStreamIdIdentificationType*
 - OUI: 00-80-C2, Type number: 5
 - Addition of managed objects (*tsnStreamIdParameters*) defining the masks sets and the values to be matched: Sub-clause 9.1.6
 - See next slide

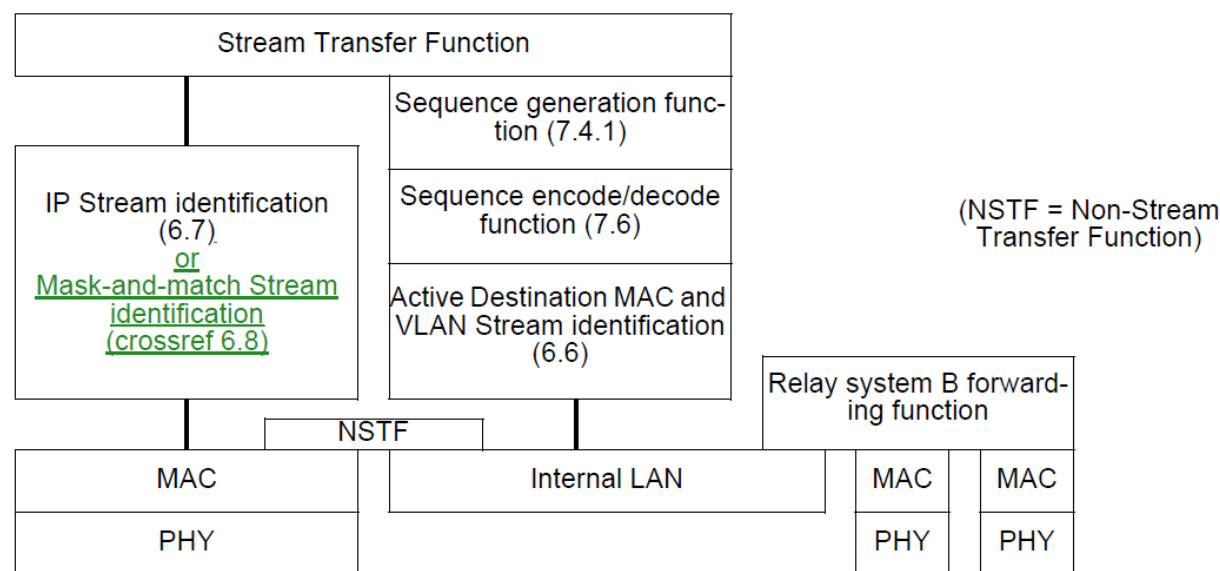
Changes in 802.1CB

- Clause 9.1.6 “Managed objects for Extended Stream identification”

Name	Description
tsnCpeMmIdDestMacMask (9.1.6.1)	48-bit ternary mask to be applied to the destination_address parameter passed up by the EM_UNITDATA.indication primitive
tsnCpeMmIdDestMacMatch (9.1.6.2)	Destination MAC address to be matched with the masked destination_address parameter
tsnCpeMmIdSrcMacMask (9.1.6.3)	48-bit ternary mask to be applied to the source_address parameter passed up by the EM_UNITDATA.indication primitive
tsnCpeMmIdSrcMacMatch (9.1.6.4)	Source MAC address to be matched with the masked source_address parameter
tsnCpeMmIdTagged (9.1.6.5)	Value indicating if the frame is tagged, untagged, or any
tsnCpeMmIdVlanIdMask (9.1.6.6)	12-bit ternary mask to be applied to the vlan_identifier parameter passed up by the EM_UNITDATA.indication primitive
tsnCpeMmIdVlanIdMatch (9.1.6.7)	VLAN identifier to be matched with the masked vlan_identifier parameter
tsnCpeMmIdMsduFieldNb (9.1.6.8)	Number of bit fields to be matched in the mac_service_data_unit parameter passed up by the EM_UNITDATA.indication primitive -> max number ?
tsnCpeMmIdMsduFieldN (9.1.6.9)	Bit field mask, defined by the couple (tsnCpeMmIdMsduFieldOffsetN [9.1.6.9.1], tsnCpeMmIdMsduFieldLengthN [9.1.6.9.2]), to be applied to the mac_service_data_unit parameter passed up by the EM_UNITDATA.indication primitive. -> max values ?
tsnCpeMmIdMsduFieldValueN (9.1.6.10)	tsnCpeMmIdMsduFieldLengthN-bit value to be matched with tsnCpeMmIdMsduFieldN

Changes in 802.1CB

- Annex A “PICS”:
 - Reflects Clause 5
- Annex C.2 “Various stack positioning”:
 - Example use of mask-and-match identification in a system



- Annex X “example applications”:
 - To be added

M&M identification function

BACK-UP

EISS indication

- Mask & Match stream identification function as passive stream identification function on top of the EISS
 - implemented only up the stack
 - using a subset of the *EM_UNITDATA.indication* primitive parameters as input

```
(  
destination_address,  
source_address,  
mac_service_data_unit*,  
priority,  
drop_eligible,  
vlan_identifier,  
frame_check_sequence,  
service_access_point_identifier,  
connection_identifier,  
flow_hash,  
time_to_live  
)
```

* If the frame is VLAN-tagged, the mac_service_data_unit is the mac_service_data_unit provided by the ISS, which VLAN-tag has been removed.

Masks sets

- Union of 2 sets of masks to determine the parameter information to be matched:
 - $\{da_mask, sa_mask, vlan_id_mask\} \cup \{msdu_mask\}$
 - $\{msdu_mask\} = \{(offset1, length1), (offset2, length2), \dots, (offsetN, lengthN)\}$ or \emptyset

Tagged or untagged ?

- How to determine if a frame is tagged or untagged
 - Re-use the same “trick” as in the .1CB stream identification functions
 - Managed object that indicates that a frame is:
 - Tagged
 - Untagged
 - Any

Masks details

- msdu_mask details:
 - each (offset, length) couple defines a field of *length* bits that must match a *length*-bit value defined for the stream identification function instance
 - Number of (offset, length) couples is specified
 - If the number of couples equals 0, the msdu parameter is ignored
 - Unit of offset and length: bits
 - Max offset and length values have to be fixed
 - offset = 0 points to the first bit of the mac_service_data_unit
 - Length = number of consecutive bits

Masks details

- da_, sa_, vlan_id_ mask details
 - da_ and sa_ masks are 48-bit long
 - vlan_id_mask is 12-bit long
 - Masks allow “ternary” match:
 - Mask’s bits set to ‘1’ indicate a bit position that must match
 - Mask’s bits set to ‘0’ indicate a bit position that always match (don’t care)
 - An all-zero mask indicates that the corresponding parameter is ignored

Thank you for your attention

