

## Contributor group

Belliardi, Rudy <rudy.belliardi@schneider-electric.com>

Dorr, Josef <josef.dorr@siemens.com>

Enzinger, Thomas <thomas.enzinger@inchstone.com>

Farkas, János <janos.farkas@ericsson.com>

Hantel, Mark <mrhantel@ra.rockwell.com>

Riegel, Maximilian <maximilian.riegel@nokia.com>

Stanica, Marius-Petru <marius-petru.stanica@de.abb.com>

Steindl, Guenter <guenter.steindl@siemens.com>

Wamßer, Reiner <Reiner.Wamsser@boschrexroth.de>

Zuponicic , Steven A. <sazuponicic@ra.rockwell.com>

## Abstract

This document describes use cases for industrial automation, which have to be covered by the joint IEC/IEEE TSN Profile for Industrial Automation.

## Log

V0.1-V0.3		working drafts
V0.4	2018-03-02	Revised after circuit meeting
V0.5	2018-03-07	Revised and presented during Chicago meeting
V0.6	2018-04-12	Elaborated additional use cases from Chicago Added new use cases: <ul style="list-style-type: none"><li>- Control loops with bounded latency</li><li>- Drives without common application cycle but common network cycle</li><li>- Redundant networks</li></ul>

- Vast number of connected stations
- Digital twin

Presented at ad-hoc meeting Munich

V0.61      2018-04-30      Revised after Munich ad-hoc review

- Added Interoperability clause (2.1)
- Reworked industrial automation traffic patterns clause (2.3.1)
- Added VLAN requirements clause (2.4.11.1)
- Added private machine domains sub-clause (2.5.2)

Draft

## Content

Contributor group .....	1
Abstract .....	1
Log .....	1
Content .....	3
Figures.....	4
Tables.....	6
1 Terms and Definitions .....	7
1.1 Definitions.....	7
1.2 IEEE802 terms .....	7
2 TSN in Industrial Automation .....	8
2.1 Interoperability .....	9
2.2 Synchronization .....	10
2.2.1 General.....	10
2.2.2 Time Synchronization .....	10
2.2.2.1 Use case 01: Sequence of events .....	10
2.2.3 Working Clock Synchronization .....	11
2.3 Industrial automation mode of operation .....	11
2.3.1 Industrial automation traffic patterns .....	11
2.3.2 Use case 02: Control Loops with guaranteed low latency .....	15
2.3.2.1 Control Loop Basic Model.....	15
2.3.2.2 Isochronous cyclic operation model for guaranteed low latency.....	16
2.3.3 Use case 03: Control Loops with bounded latency.....	20
2.3.3.1 Cyclic operation model .....	20
2.3.3.2 Control Loop .....	21
2.3.4 Use case 04: Reduction ratio of network cycle.....	22
2.3.5 Use case 05: Drives without common application cycle .....	23
2.3.5.1 Background information.....	23
2.3.5.2 Controller communication .....	24
2.3.5.3 Timing Requirements.....	25
2.3.6 Use case 06: Drives without common application cycle but common network cycle .....	25
2.4 Industrial automation networks .....	27
2.4.1 Use case 07: Redundant networks .....	27
2.4.2 Use case 08: High Availability.....	28
2.4.3 Use case 09: Wireless .....	28
2.4.4 Use case 10: IEEE 802.3cg APL support (Ethernet sensors).....	30
2.4.5 Use case 11: Fieldbus gateway .....	30
2.4.6 Use case 12: New machine with brownfield devices .....	31
2.4.7 Use case 13: Mixed link speeds.....	31
2.4.8 Use case 14: Multiple isochronous domains .....	33
2.4.9 Use case 15: Auto domain protection .....	34
2.4.10 Use case 16: Vast number of connected stations .....	35
2.4.11 Minimum required quantities.....	36

2.4.11.1	A representative example for VLAN requirements .....	36
2.4.11.2	A representative example for data flow requirements .....	39
2.4.11.3	A representative example of communication use cases.....	40
2.4.11.4	“Fast” process applications .....	40
2.4.11.5	Server consolidation .....	41
2.4.11.6	Direct client access.....	42
2.4.11.7	Field devices.....	43
2.4.12	Bridge Resources .....	43
2.5	Industrial automation machines, production cells, production lines .....	46
2.5.1	Use case 17: Machine to Machine (M2M/C2C) Communication .....	46
2.5.2	Use case 18: Pass-through Traffic.....	48
2.5.3	Modular Machines .....	50
2.5.3.1	Use case 19: Modular machine assembly.....	50
2.5.3.2	Use case 20: Tool changer .....	51
2.5.4	Use case 21: Dynamic plugging and unplugging of machines (subnets).....	52
2.5.5	Use case 22: Energy Saving.....	53
2.5.6	Use case 23: Add machine, production cell or production line .....	53
2.5.7	Use case 24: Multiple applications in a station using TSN .....	54
2.5.8	Use case 25: Functional safety .....	54
2.6	DCS Reconfiguration .....	55
2.6.1	Challenges of DCS Reconfiguration Use Cases .....	55
2.6.2	Use case 26: DCS Device level reconfiguration.....	55
2.6.3	Use case 27: DSC System level reconfiguration.....	56
2.7	Further Industrial Automation Use Cases.....	57
2.7.1	Use case 28: Network monitoring and diagnostics.....	57
2.7.2	Use case 29: Security.....	57
2.7.3	Use case 30: Firmware update .....	58
2.7.4	Use case 31: Virtualization .....	58
2.7.5	Use case 32: Digital twin.....	60
3	Literature .....	60

## Figures

Figure 1 – Hierarchical structure of industrial automation.....	8
Figure 2 – Principal pillars of interoperation .....	9
Figure 3 – plant wide time synchronization .....	10
Figure 4 – line/cell/machine wide working clock synchronization.....	11
Figure 5 – TSN domain.....	13
Figure 6 – Principle data flow of control loop.....	15
Figure 7 – network cycle and control loop .....	15
Figure 8 – isochronous cyclic operation model.....	16
Figure 9 – delay measurement reference points .....	18
Figure 10 – cyclic operation model.....	20

Figure 11 – network cycle and application cycle .....	23
Figure 12 – network with different application cycles.....	23
Figure 13 – Multivendor Motion – Controller communication.....	24
Figure 14 – Multivendor Motion – Timing Requirements .....	25
Figure 15 – different application cycles but common network cycle .....	26
Figure 16 – ring topology .....	27
Figure 17 – connection of rings.....	27
Figure 18 – example topology for tunnel control.....	28
Figure 19 – HMI wireless connected using cyclic real-time .....	29
Figure 20 – Remote IO wireless connected using cyclic real-time.....	29
Figure 21 – Ring segment wireless connected for media redundancy.....	29
Figure 22 – Ethernet sensors.....	30
Figure 23 – fieldbus gateways .....	30
Figure 24 – new machine with brownfield devices.....	31
Figure 25 – mixed link speeds .....	32
Figure 26 – mixed link speeds without topology guideline .....	33
Figure 27 – multiple isochronous domains.....	33
Figure 28 – multiple isochronous domains - coupled.....	34
Figure 29 – auto domain protection.....	34
Figure 30 – Stacked layer model.....	37
Figure 31 – Example TSN domains for classic automation hierarchy.....	38
Figure 32 – Logical communication concept for fast process applications.....	40
Figure 33 – Server consolidated logical connectivity.....	41
Figure 34 – Clients logical connectivity view .....	42
Figure 35 – Field devices with 10Mbit/s .....	43
Figure 36 – M2M in hierarchical domains.....	46
Figure 37 – M2M with supervisory PLC.....	46
Figure 38 – M2M with four machines .....	47
Figure 39 – M2M with diagnostics/monitoring PC .....	47
Figure 40 – Private machine domains.....	48
Figure 41 – pass-through one machine.....	49
Figure 42 – pass-through one machine and production cell .....	49
Figure 43 – pass-through two machines .....	49
Figure 44 – machine with diagnostics / monitoring PC.....	49
Figure 45 – modular bread-machine .....	50
Figure 46 – modular advertisement feeder.....	50
Figure 47 – tool changer .....	51
Figure 48 – AGV plug and unplug .....	52
Figure 49 – energy saving.....	53
Figure 50 – add machine .....	53
Figure 51 – two applications .....	54
Figure 52 – Functional safety with cyclic real-time .....	55
Figure 53 – Device level reconfiguration use cases .....	56
Figure 54 – System level reconfiguration use cases .....	56

Figure 55 – Ethernet interconnect with VM based vBridge .....	59
Figure 56 – Ethernet interconnect with PCIe connected Bridge .....	59

## Tables

Table 1 – Industrial automation traffic patterns summary .....	12
Table 2 – traffic pattern properties .....	14
Table 3 – isochronous traffic pattern properties .....	17
Table 4 – Expected PHY delays.....	19
Table 5 – Expected MAC delays .....	19
Table 6 – Expected Ethernet Bridge delays .....	19
Table 7 – cyclic traffic pattern properties.....	21
Table 8 – Link speeds.....	31
Table 9 – Expected number of stream FDB entries.....	38
Table 10 – Expected number of non-stream FDB entries.....	38
Table 11 – Neighborhood for hashed entries .....	39
Table 12 – MinimumFrameMemory for 100 Mbit/s (50%@1 ms).....	44
Table 13 – MinimumFrameMemory for 1 Gbit/s (20%@1 ms).....	44
Table 14 – MinimumFrameMemory for 2,5 Gbit/s (10%@1 ms).....	44
Table 15 – MinimumFrameMemory for 10 Gbit/s (5%@1 ms).....	45

# 1 Terms and Definitions

## 1.1 Definitions

Reconfiguration	<ul style="list-style-type: none"> <li>- Any intentional modification of the system structure or of the device-level content, including updates of any type</li> <li>- Ref: IEC 61158- Type 10, dynamic reconfiguration</li> <li>- Document to be provided by PI/PNO: Guidelines for high-availability</li> </ul>
(Process) disturbance	<ul style="list-style-type: none"> <li>- Any malfunction or stall of a process/machine, which is followed by production loss or by an unacceptable degradation of production quality</li> <li>- Ref: IEC 61158 – Failure</li> <li>- Ref. ODVA: Unplanned downtime</li> <li>- Document to be provided by PI/PNO: Guidelines for diagnosis</li> </ul>
Operational _state of a plant (unit)/machine	Normal state of function and production of a plant(unit)/machine
Maintenance _state of a plant (unit)/machine	Planned suspension or partial suspension of the normal state of function of a plant(unit)/machine
Stopped _state of a plant (unit)/machine	Full non-productive mode of a plant(unit)/machine
Convergent network concept	All Ethernet-based devices are able to exchange data over a common infrastructure, within defined QoS parameters
Device	End station, bridged end station, bridge
<b>Brownfield</b>	<b>Non TSN fieldbus devices</b>
<b>Greenfield</b>	<b>TSN fieldbus devices</b>
DCS	Distributed Control System
TSN domain	the quantity of all commonly managed isochronous and/or cyclic real-time domains (see Figure 5)
Network cycle	transfer time (including safety margin) and application time (including safety margin)

## 1.2 IEEE802 terms

Priority regeneration	See IEEE 802.1Q-2014 clause 6.9.4 Regenerating priority
Ingress rate limiting	See IEEE 802.1Q-2014 clause 8.6.5 Flow classification and metering

## 2 TSN in Industrial Automation

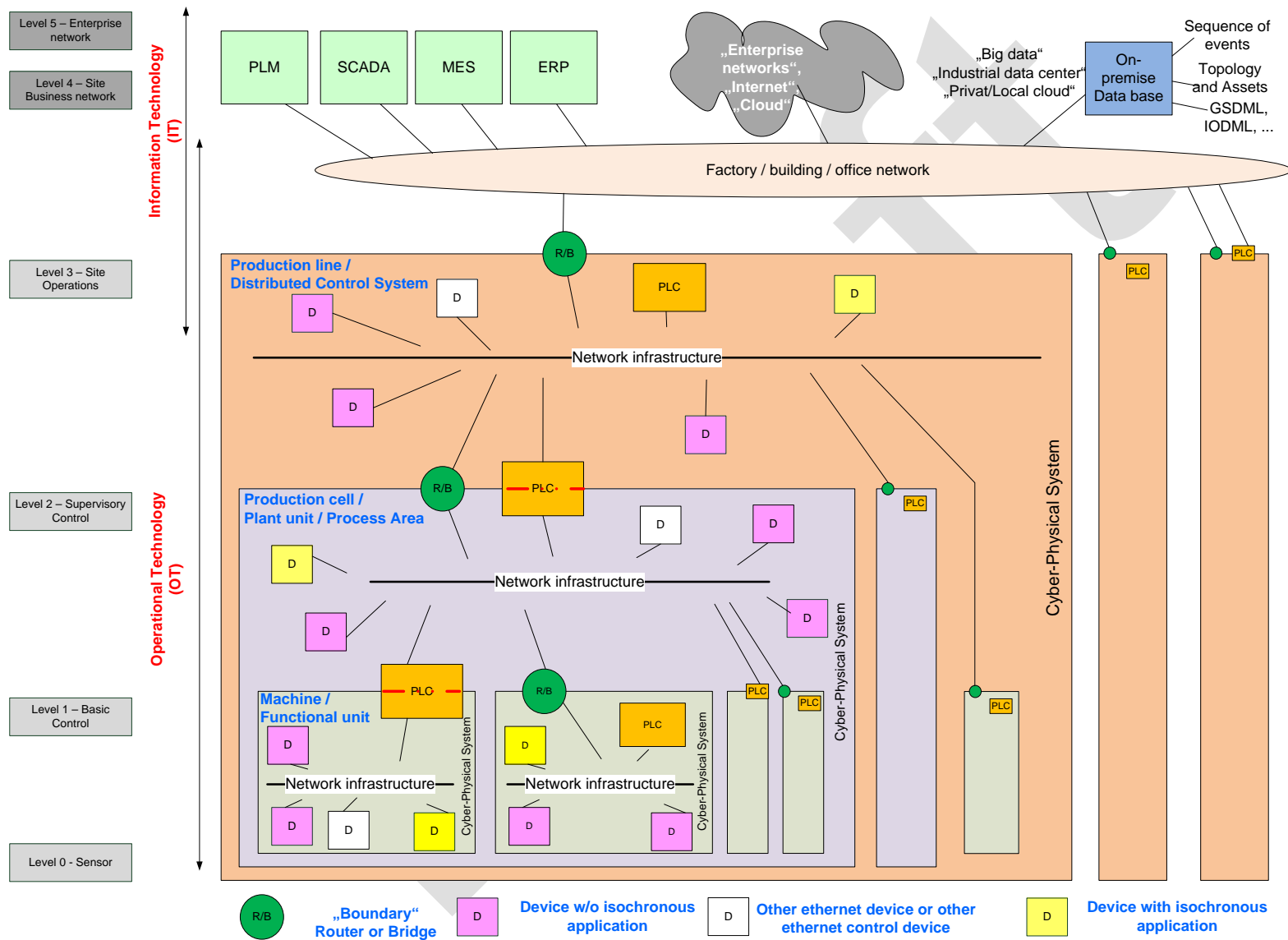


Figure 1 – Hierarchical structure of industrial automation



There is no generally accepted definition of the term “Cyber-Physical System (CPS)”. A report of Edward A. Lee [1] suitably introduces CPS as follows: „*Cyber-Physical Systems (CPS) are integrations of computation with physical processes. Embedded computers and networks monitor and control the physical processes, usually with feedback loops where physical processes affect computations and vice versa.*”

Cyber-Physical Systems are the building blocks of “smart factories” and Industry 4.0 and TSN provides the mechanisms for connectivity to time critical industrial applications on converged networks in operational technology control levels.

TSN can be used in Industrial Automation for:

- Realtime (RT) Communication within Cyber-Physical Systems
- Realtime (RT) Communication between Cyber-Physical Systems

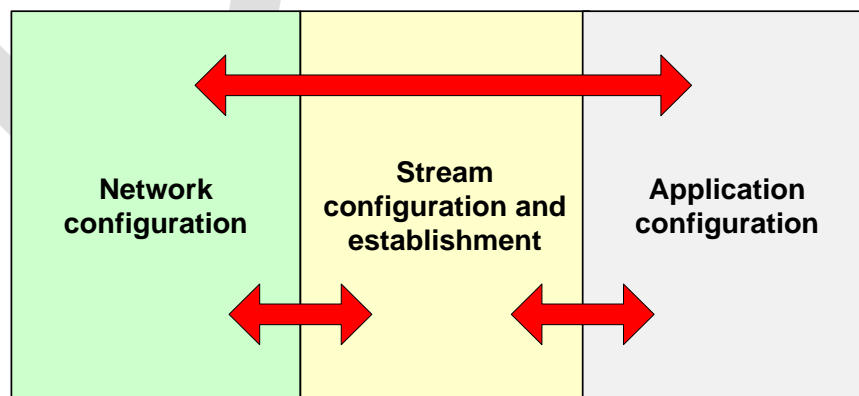
A CPS consists of:

- Controlling devices (typically 1 PLC),
- I/O Devices (sensors, actors),
- Drives,
- HMI (typically 1),
- Interface to the upper level with:
  - PLC (acting as gateway), and/or
  - Router, and/or
  - Bridge.
- Other Ethernet devices:
  - Servers or any other computers, be it physical or virtualized,
  - Diagnostic equipment,
  - Network connectivity equipment.

## 2.1 Interoperability

Interoperability may be achieved on different levels. Figure 2 shows three pillars which need to be covered:

- network configuration,
- stream configuration and establishment, and
- application configuration.



**Figure 2 – Principal pillars of interoperation**

The three pillars mutually affect each other.

Application configuration is not expected to be part of the profile, but the two others are.

## 2.2 Synchronization

### 2.2.1 General

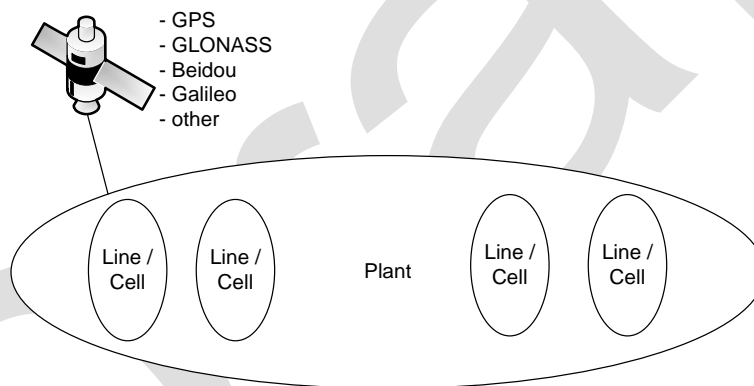
Time synchronization and working clock synchronization are needed for industrial automation systems.

Redundancy for time synchronization may be solved with “cold standby”. Redundancy for Working Clock synchronization will be solved with “cold standby” or “hot standby” depending on the machine requirements.

Thus, support for three concurrent sync domains, one for Global time and two for Working Clock may be required.

### 2.2.2 Time Synchronization

Time is used to plant wide align events and actions (e.g. for “sequence of events”). The assigned timescale is TAI, which can be converted into local date and time if necessary. Figure 3 shows the principle structure of time synchronization with the goal to establish a worldwide aligned timescale for time. Thus, often satellites are used as source of the time.



**Figure 3 – plant wide time synchronization**

#### 2.2.2.1 Use case 01: Sequence of events

Sequence of events (SOE) is a mechanism to record timestamped events from all over a plant in a common database (on-premise database in Figure 1). Events are e.g. changes of digital input signal values.

SOE enables root-cause analysis of disruptions after multiple events have occurred. Therefore SOE can be used as diagnostics mechanism to minimize plant downtime.

Plant-wide precisely synchronized time (see Figure 3) is a precondition for effective SOE application.

SOE support may even be legally demanded e.g. for power generation applications.

#### Requirements:

- Plant wide high precision time synchronization

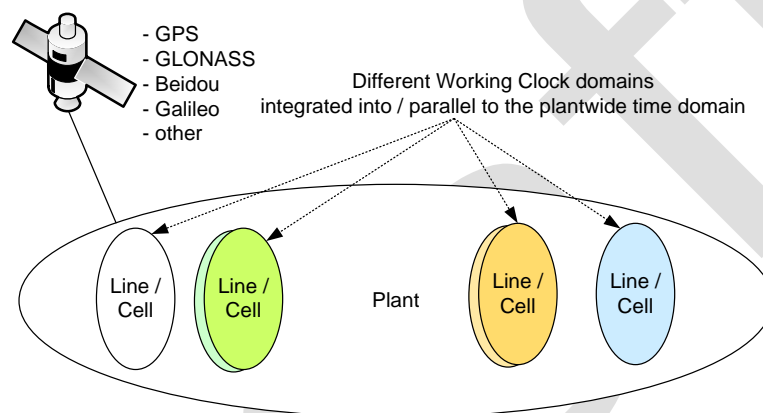
## Useful 802.1 mechanisms:

- IEEE 802.1AS-Rev

### 2.2.3 Working Clock Synchronization

Working Clock is used to align actions line, cell or machine wide. The assigned timescale is arbitrary. Robots, motion control, numeric control and any kind of clocked / isochronous application rely on this timescale to make sure that actions are precisely interwoven as needed. Figure 4 shows the principle structure of Working Clock synchronization with the goal to establish a line / cell / machine wide aligned timescale. Thus, often PLCs, Motion Controller or Numeric Controller are used as Working Clock source.

If multiple PLCs, Motion Controller or Numeric Controller need to share one Working Clock timescale, an all-time active station must be used as Working Clock source, also known as Grandmaster.



**Figure 4 – line/cell/machine wide working clock synchronization**

Working Clock domains may be doubled to support seamless redundancy.

High precision working clock synchronization is a prerequisite for control loop implementations with low latency (see 2.3.2).

## 2.3 Industrial automation mode of operation

### 2.3.1 Industrial automation traffic patterns

Industrial automation applications concurrently make use of different traffic schemes/patterns for different functionalities, e.g. parameterization, control, alarming. The various traffic patterns have different characteristics and thus impose different requirements on a TSN network. Industrial automation relevant traffic patterns are summarized in Table 1 (see also:

<http://www.ieee802.org/1/files/public/docs2018/new-Bruckner-LNI-traffic-patterns-for-TSN-0118.pdf>).

Table 1 – Industrial automation traffic patterns summary

Name	Periodic/ Sporadic	Guarantee	Data size	Redundancy
isochronous	P	deadline/ bounded latency/ bandwidth	bounded	seamless
cyclic	P	deadline/ bounded latency/ bandwidth	bounded	seamless
network control	S	priority	-	not required
audio/video	P	bounded latency/ bandwidth	bounded	regular
brownfield	P	bounded latency/ bandwidth	-	regular
alarms/ events	S	bounded latency/ bandwidth	-	regular
configuration/ diagnostics	S	bandwidth	-	regular
internal	S	bandwidth	-	regular
best effort	S	-	-	regular

All traffic patterns of Table 1 are referenced by the use cases, which are described in this document:

Isochronous:

→ see *Use case 02: Control Loops with guaranteed low latency*

Cyclic:

→ see *Use case 03: Control Loops with bounded latency*

Network control:

→ see *Use case 07: Redundant networks*

Audio/video:

- see ...
- applications: quality control and video surveillance
  - based on TSN and not on AVB...

Brownfield:

→ see *Use case 12: New machine with brownfield devices*

Alarms/events:

→ see *Use case 01: Sequence of events*

Configuration/diagnostics:

→ see *Use case 28: Network monitoring and diagnostics*

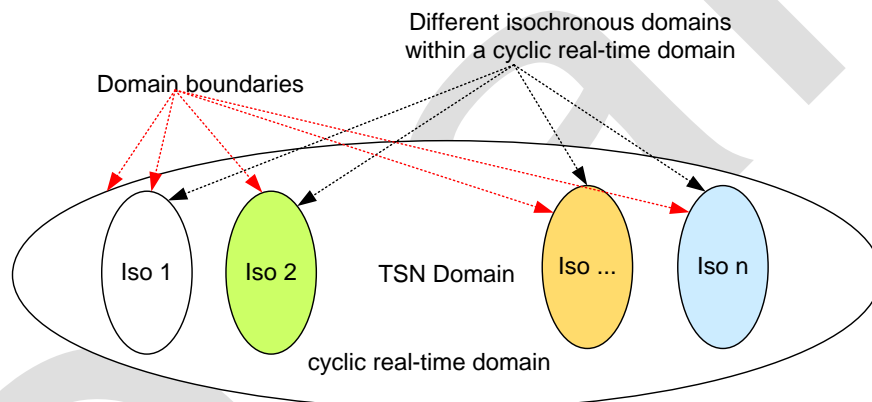
Internal:

→ see *Use case 18: Pass-through Traffic*

Best effort:

→ see ...

A **TSN domain** is defined as the quantity of all common managed isochronous (see ...) and/or cyclic real-time (see ...) domains.



**Figure 5 – TSN domain**

The following properties table is used to characterize in detail the traffic patterns of Use case 02: Control Loops with guaranteed low latency and Use case 03: Control Loops with bounded latency.

Table 2 – traffic pattern properties

Property	Description
<b>Data transmission scheme</b>	<i>Periodic (P)</i> - e.g. every $N \mu\text{s}$ , or <i>Sporadic (S)</i> - e.g. event-driven
<b>Data transmission constraints</b>	<p>Indicates the traffic pattern's data transmission constraints for proper operation. Four data transmission constraints are defined:</p> <ul style="list-style-type: none"> <li>• <i>deadline</i>: transmitted data is guaranteed to be received at the destination(s) before a specific instant of time,</li> <li>• <i>latency</i>: transmitted data is guaranteed to be received at the destination(s) within a specific period of time after the data is transmitted by the sending application,</li> <li>• <i>bandwidth</i>: transmitted data is guaranteed to be received at the destination(s) if the bandwidth usage is within the resources reserved by the transmitting applications,</li> <li>• <i>none</i>: no special data transmission constraint is given.</li> </ul>
<b>Data period</b>	<p>For traffic patterns that transmit <i>periodic</i> data this property denotes according to the <i>data transmission constraints</i>:</p> <p><i>deadline</i>: application data deadline period,  <i>latency, bandwidth or none</i>: data transmission period.</p> <p>The period is given as a <i>range</i> of time values, e.g. <math>1\mu\text{s} \dots 1\text{ms}</math>.  For the <i>sporadic</i> traffic patterns, this property does not apply.</p>
<b>Data transmission synchronized to network cycle</b>	<p>Indicates whether the data transmission of sender stations is synchronized to the network cycle.</p> <p>Available property options are: <i>yes</i> or <i>no</i>.</p>
<b>Application synchronized to working clock</b>	<p>Indicates whether the applications, which make use of this traffic pattern, are synchronized to the working clock.</p> <p>Available property options are: <i>yes</i> or <i>no</i>.</p>
<b>Acceptable jitter</b>	<p>Indicates for traffic patterns, which apply data transmission with <i>latency</i> constraints, the amount of jitter, which can occur and must be coped with by the receiving destination(s).</p> <p>For traffic patterns with <i>deadline, bandwidth or none</i> data transmission constraints this property is not applicable (<i>n.a.</i>).</p>
<b>Acceptable frame loss</b>	<p>Indicates the traffic pattern's tolerance to lost frames given e.g. as acceptable frame loss ratio range.</p> <p>The frame loss ratio value <math>0</math> indicates traffic patterns, where no single frame loss is acceptable.</p>
<b>Payload</b>	<p>Indicates the payload data <i>type</i> and <i>size</i> to be transmitted. Two payload types are defined:</p> <ul style="list-style-type: none"> <li>• <i>fixed</i>: the payload is always transmitted with exactly the same size</li> <li>• <i>bounded</i>: the payload is always transmitted with a size, which does not exceed a given maximum; the maximum may be the maximum Ethernet payload size (1500).</li> </ul>

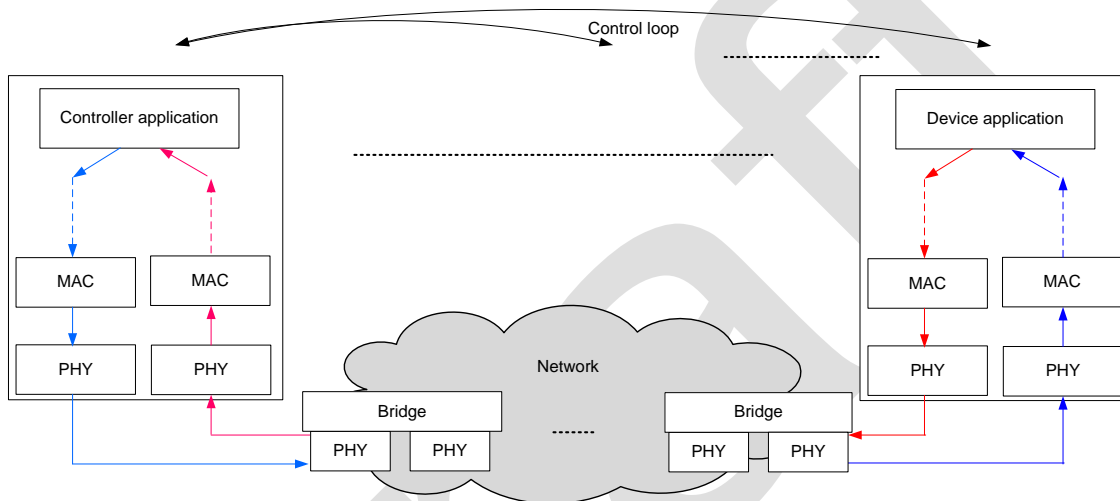
## 2.3.2 Use case 02: Control Loops with guaranteed low latency

### 2.3.2.1 Control Loop Basic Model

**Control loops** are fundamental building blocks of industrial automation systems. Control loops include: process sensors, a controller function, and output signals. Control loops may require guaranteed low latency or more relaxed bounded latency (see 2.3.3) network transfer quality.

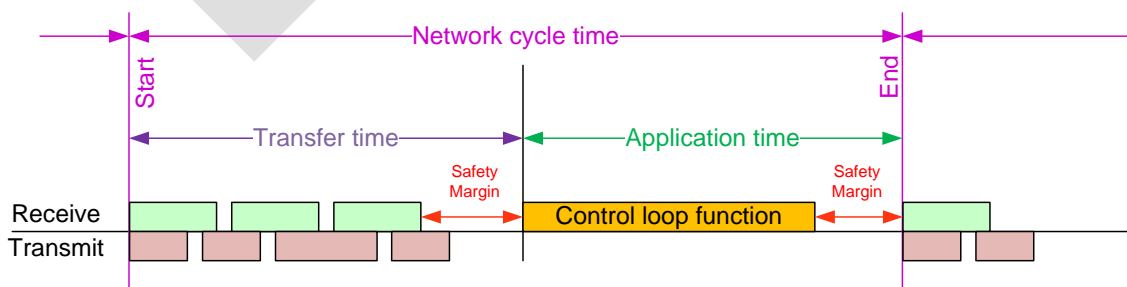
To achieve the needed quality for Control loops the roundtrip delay (sometimes called makespan, too) of the exchanged data is essential.

Figure 6 shows the whole transmission path from Controller application to Device application(s) and back. The blue and red arrows show the contributions to the e2e (end-to-end) latency respectively.



**Figure 6 – Principle data flow of control loop**

Control loops with guaranteed low latency implement an isochronous traffic pattern based on a network cycle, which consists of an IO data Transfer time and an Application time wherein the control loop function is executed. Figure 7 shows how network cycle, transfer time and application time interact in this use case. The control loop function starts for controllers and devices after the transfer time when all necessary buffers are available. A single execution of a control loop function ends before the next transfer time period starts. Thus, all frames must be received by the addressed application within the transfer time. An optimized local transmit order at sender stations is required to achieve minimal transfer time periods.



**Figure 7 – network cycle and control loop**

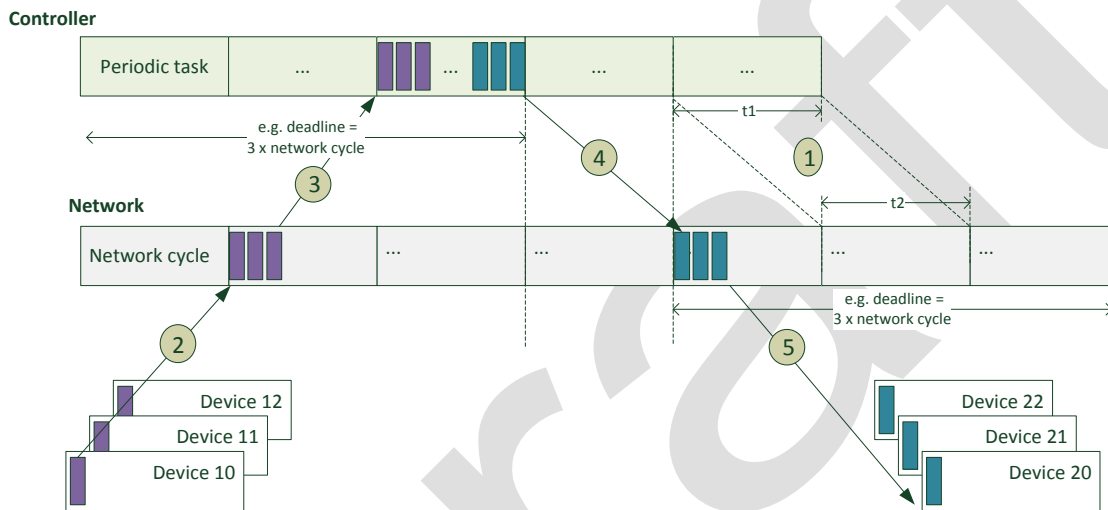
Network cycle: transfer time (including safety margin) and application time (including safety margin)

Transfer time: period of time, wherein all necessary frames are exchanged between stations (controller, devices); the minimum transfer time is determined by the e2e latencies of the necessary frames; the e2e latency depends on: PHY-delays, MAC-delays, bridge-delays and send ordering. The transfer time is a fraction of the network cycle time.

For a given target transfer time the number of possible bridges on the path is restricted due to PHY-, MAC- and bridge-delay contributions.

**2.3.2.2 Isochronous cyclic operation model for guaranteed low latency**

Figure 8 shows the isochronous cyclic operation model for guaranteed low latency.



**Figure 8 – isochronous cyclic operation model**

Isochronous cyclic operation characteristics:

Multiple applications (periodic tasks) with different application periods are supported.  
Applications are synchronized to working clock:

- Devices: ✓
- Controller: ✓

Multiple application update times based on different reduction ratios are supported.  
Data transmission is synchronized to network cycle (WorkingClock):

- Devices: ✓
- Controller: ✓

The single steps of the isochronous cyclic operation model are:

1	<p>Controller periodic tasks are synchronized to the working clock. Example:                      Periodic task_01 period (<math>t_1</math>) == network cycle period (<math>t_2</math>).                      Periodic task_02 period == 8 * network cycle period (<math>t_2</math>).                      Periodic task_03 period == 32 * network cycle period (<math>t_2</math>).</p>
2	<p>Device data transmission is synchronized to network cycle (Working Clock).</p>



3	<p>Device input data must reach controller within an application defined deadline. Controller application may check the timeliness (by means of additional data in the payload, e.g. LifeSign model).</p> <p>Controller application operates on local process image data. Local process image decouples communication protocol from application.</p> <p>Additional: Device input data must reach controller within a communication monitoring defined deadline (communication protocol). Communication disturbances are recognized and signaled asynchronously by communication protocol to application.</p>
4	<p>Controller output data transmission is synchronized to network cycle (Working Clock).</p>
5	<p>Controller output data must reach device within an application defined deadline. Device application may check the timeliness (by means of additional data in the payload, e.g. LifeSign model).</p> <p>Device application operates on local process image data. Local process image decouples communication protocol from application.</p> <p>Additional: Controller out data must reach device within a communication monitoring defined deadline (communication protocol). Communication disturbances are recognized and signaled asynchronously by communication protocol to application.</p>

High control loop quality is achieved by:

- Short network cycle times to minimize reaction time (dead time),
- equidistant network cycle times based on a synchronized working clock to ensure a defined reaction time,
- device signal processing and transfer coupled to synchronized working clock, and
- device and controller application (function) coupled to synchronized working clock.

isochronous mode: coupling of device and controller application (function) to the synchronized working clock

isochronous cyclic realtime: transfer time less than 20%/50% of network cycle and applications are coupled to the working clock.

**Table 3 – isochronous traffic pattern properties**

Characteristics		Notes
<b>Data transmission scheme</b>	periodic	
<b>Data transmission constraints</b>	deadline	End-to-end one-way latency <sup>1</sup> less than 20%/50% of network cycle

<sup>1</sup> The end-to-end one-way latency is measured from the arrival of the last bit at the ingress edge port of the bridged network to the transmission of the last bit by the egress edge port of the bridged network (see, e.g., Annex L.3 in IEEE Std 802.1Q-2014).

Characteristics		Notes
<b>Data period</b>	1µs .. 20µs 125µs .. 2ms	20% of network cycle at link speeds > 100 Mbit/s 50% of network cycle at link speeds <= 100 Mbit/s
<b>Data transmission synchronized to network cycle</b>	Yes	
<b>Application synchronized to working clock</b>	Yes	
<b>Acceptable jitter</b>	n.a.	Deadline shall be kept
<b>Acceptable frame loss</b>	0..n frames	Media redundancy requirements according to the required tolerance; e.g. seamless redundancy for value 0
<b>Payload</b>	1 .. IEEE Std 802.3 maximum data payload size (i.e. 1500 bytes)	Data size negotiated during connection establishment

isochronous domain: All stations, which share a common

- working clock,
- network cycle, and
- traffic model (traffic class definition).

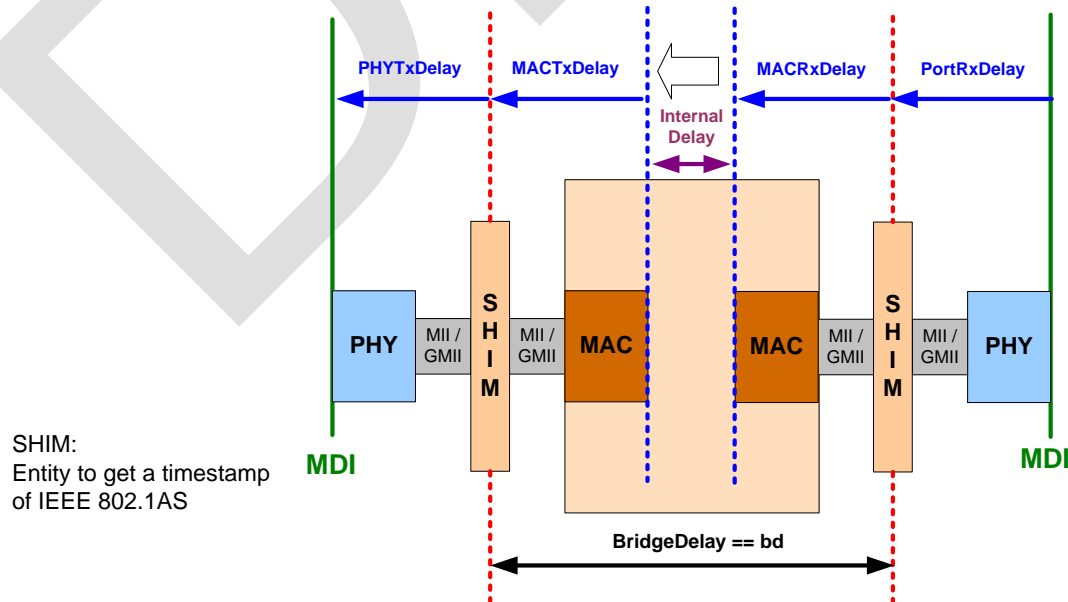
Requirements on network cycle times:

- 1 µs to 1 ms at link speed 1 Gbit/s (or higher)
- 125 µs to 4 ms at link speed 100 Mbit/s (or lower, e.g. 10 Mbit/s)

To make short control loop times feasible PHY, MAC and bridge delays shall meet upper limits:

- PHY delays shall meet the upper limits of Table 4.
- MAC delays shall meet the upper limits of Table 5.
- Bridge delays shall be independent from the frame size and meet the upper limits of Table 6.

Figure 9 shows the definition of PHY delay, MAC delay and Bridge delay reference points.



**Figure 9 – delay measurement reference points**

**Table 4 – Expected PHY delays**

Device	RX delay <sup>c</sup>	TX delay <sup>c</sup>	Jitter
10 Mbit/s	<< 1 $\mu$ s	<< 1 $\mu$ s	< 4 ns
100 Mbit/s MII PHY	210 ns (Max. 340 ns) <sup>a</sup>	90 ns (Max. 140 ns) <sup>a</sup>	< 4 ns
100 Mbit/s RGMII PHY	210 ns <sup>b</sup>	90 ns <sup>b</sup>	< 4 ns
1 Gbit/s RGMII PHY	<< 500 ns <sup>b</sup>	<< 500 ns <sup>b</sup>	< 4 ns
2,5 Gbit/s RGMII PHY	<< 500 ns <sup>b</sup>	<< 500 ns <sup>b</sup>	< 4 ns
5 Gbit/s RGMII PHY	<< 500 ns <sup>b</sup>	<< 500 ns <sup>b</sup>	< 4 ns
10 Gbit/s	Tdb	tbd	tbd
25 Gbit/s – 1 Tbit/s	n.a.	n.a.	n.a.

<sup>a</sup> According IEEE 802.3 for 100 Mbit/s full duplex with exposed MII.

<sup>b</sup> Values from 100 Mbit/s PHYs (or better) are needed to allow substitution even for Gigabit or higher.

<sup>c</sup> Lower values mean more performance for linear topology.

**Table 5 – Expected MAC delays**

Link speed	Maximum RX delay	Maximum TX delay
10 Mbit/s	<< 1 $\mu$ s	<< 1 $\mu$ s
100 Mbit/s	<< 1 $\mu$ s	<< 1 $\mu$ s
1 Gbit/s	<< 1 $\mu$ s	<< 1 $\mu$ s
2,5 Gbit/s	<< 1 $\mu$ s	<< 1 $\mu$ s
5 Gbit/s	<< 1 $\mu$ s	<< 1 $\mu$ s
10 Gbit/s	<< 1 $\mu$ s	<< 1 $\mu$ s
25 Gbit/s – 1 Tbit/s	n.a.	n.a.

**Table 6 – Expected Ethernet Bridge delays**

Link speed	Value	Comment
10 Mbit/s	< 30 $\mu$ s	No usage of bridging expected
100 Mbit/s	< 3 $\mu$ s	Bridge delay measure from MII to MII
1 Gbit/s	< 1 $\mu$ s	Bridge delay measure from RGMII to RGMII
2,5 Gbit/s	< 1 $\mu$ s	Bridge delay measure from XGMII to XGMII
5 Gbit/s	< 1 $\mu$ s	Bridge delay measure from XGMII to XGMII
10 Gbit/s	< 1 $\mu$ s	Bridge delay measure from XGMII to XGMII
25 Gbit/s – 1 Tbit/s:	n.a.	No covered by this specification

Useful 802.1 mechanisms:

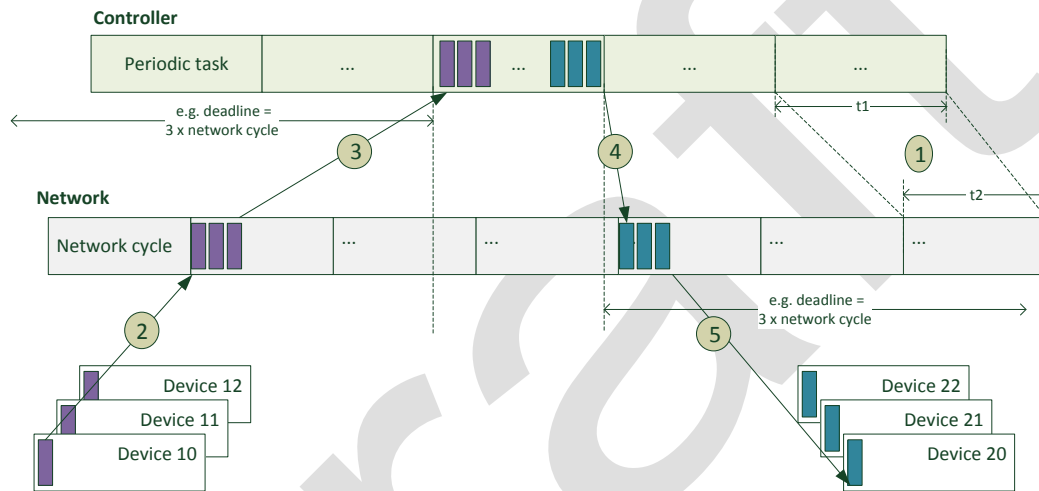
- ...

Example:

A representative example of a “Control loop with guaranteed low latency” use case is given in clause 2.4.11.4 “Fast” process applications.

**2.3.3 Use case 03: Control Loops with bounded latency**

**2.3.3.1 Cyclic operation model**



**Figure 10 – cyclic operation model**

**Cyclic operation characteristics:**

Multiple applications with different application periods are supported.  
 Applications don't need to be synchronized to working clock, but may be synchronized:

- Devices: ✓
- Controller: ✓

Multiple update times based on different reduction ratios are supported.  
 Data transmission is synchronized to network cycle (WorkingClock):

- Devices: ✓
- Controller: ✓

The single steps of the cyclic operation model are:

1	Controller periodic tasks don't need to be synchronized to working clock, but may be synchronized. Periodic task period (t1) != network cycle period (t2).
2	Data transmission is synchronized to network cycle (Working Clock)

3	<p>Device input data must reach controller within a communication monitoring defined deadline (communication protocol).</p> <p>Controller application assumes a kept update interval but doesn't know whether it is kept or not.</p> <p>Communication disturbances are recognized and signaled asynchronously by communication protocol to application.</p> <p>Controller application operates on local process image data. Local process image decouples communication protocol from application.</p>
4	<p>Controller output data transmission is synchronized to network cycle (Working Clock).</p>
5	<p>Controller output data must reach device within a communication monitoring defined deadline (communication protocol).</p> <p>Device application assumes an kept update interval but doesn't know whether it is kept or not.</p> <p>Communication disturbances are recognized and signaled asynchronously by communication protocol to application.</p> <p>Device application operates on local process image data. Local process image decouples communication protocol from application.</p>

### 2.3.3.2 Control Loop

Control loops with bounded latency implement a cyclic traffic pattern. More relaxed control reaction time requirements (e.g. 10 ms - 10 s) allow free running applications instead of isochronous applications. In consequence transfer time requirements are more relaxed as well. The transfer time may be longer than the network cycle in this use case.

For a given target transfer time the number of possible bridges on a communication path is restricted due to PHY-, MAC- and bridge-delay contributions, but can be much higher compared to Use case 02: Control Loops with guaranteed low latency

Cyclic real-time: transfer time may be longer than network cycle and applications are decoupled from the working clock.

**Table 7 – cyclic traffic pattern properties**

Characteristics	Notes	
<b>Data transmission scheme</b>	periodic	
<b>Data transmission constraints</b>	deadline	End-to-end one-way latency <sup>2</sup> less than X * network cycle (X   1 .. n)
<b>Data period</b>	X * network cycle (X   1 .. n)	
<b>Data transmission synchronized to network cycle</b>	Yes	
<b>Application synchronized to working clock</b>	No	
<b>Acceptable jitter</b>	n.a.	Deadline shall be kept
<b>Acceptable frame loss</b>	0..n frames	Media redundancy requirements according to the

<sup>2</sup> The end-to-end one-way latency is measured from the arrival of the last bit at the ingress edge port of the bridged network to the transmission of the last bit by the egress edge port of the bridged network (see, e.g., Annex L.3 in IEEE Std 802.1Q-2014).

Characteristics		Notes
		required tolerance; e.g. seamless redundancy for value 0
<b>Payload</b>	1 .. IEEE Std 802.3 maximum data payload size (i.e. 1500 bytes)	Data size negotiated during connection establishment

Cyclic real-time domain: All stations, which share a common

- traffic model (traffic class definition).

#### Requirements:

Stations shall be able to implement Use case 02: Control Loops with guaranteed low latency and Use case 03: Control Loops with bounded latency concurrently.

Transmission paths shall be able to handle different

- working clocks, and
- network cycles.

#### Useful 802.1 mechanisms:

- ...

#### 2.3.4 Use case 04: Reduction ratio of network cycle

Application needs may limit the in principle flexible network cycle time to a defined granularity. E.g. in case of network cycle granularity 31,25  $\mu$ s the possible network cycles are:

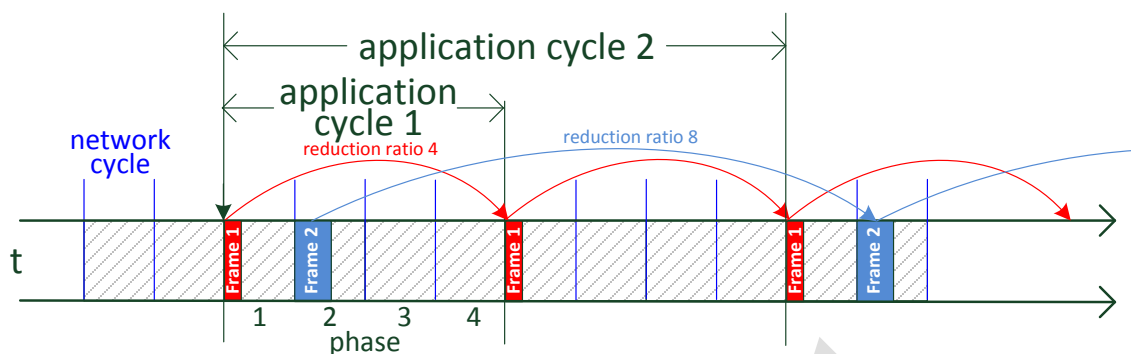
$$\begin{aligned} &\geq 1\text{Gbit/s: } 31,25 \mu\text{s} * 2^n \mid n=0 \dots 5 \\ &< 1\text{Gbit/s: } 31,25 \mu\text{s} * 2^n \mid n=2 \dots 7 \end{aligned}$$

Application cycle times are the result of the used network cycle times together with reduction ratios:

- 31,25  $\mu$ s to 512 ms

Reduction ratio: The value of “reduction ratio” defines the number of network cycles between two consecutive transmits.

Phase: The value of “phase” in conjunction with “reduction ratio” defines the starting network cycle for the consecutive transmits.



**Figure 11 – network cycle and application cycle**

Examples: see Use case 06: Drives without common application cycle but common network cycle.

Requirements:

...

Useful 802.1 mechanisms:

- ...

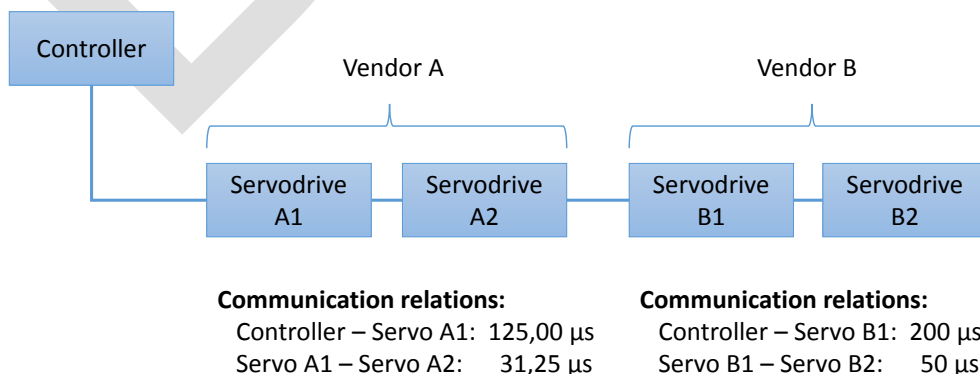
**2.3.5 Use case 05: Drives without common application cycle**

**2.3.5.1 Background information**

The cycle time requirements of different vendors may be based on their technology, which cannot be changed with reasonable effort. These requirements may be based on hardware dependencies, independent of the capabilities of the communication part of the device.

Figure 12 shows an example, where Vendor A needs to communicate with 31,25 μs between its devices (A1 with A2), and Vendor B needs to communicate with 50 μs (between B1 and B2). The communication with the controller which has to coordinate both of them must be a multiple of their local cycles. A1 needs to exchange data every 125μs with the Controller, B1 needs to exchange data every 200μs with the Controller.

Servo drives from different vendors (Vendor A and Vendor B) are working on the same network. For specific reasons the vendors are limited in the choice of the period for their control loop.



**Figure 12 – network with different application cycles**

The following Communication Relations are expected to be possible:

Servodrive A1  $\leftrightarrow$  Servodrive A2: 31,25  $\mu$ s

Servodrive B1  $\leftrightarrow$  Servodrive B2: 50  $\mu$ s

Controller  $\leftrightarrow$  Servodrive A1: 125  $\mu$ s

Controller  $\leftrightarrow$  Servodrive B1: 200  $\mu$ s

Servodrive A1  $\leftrightarrow$  Servodrive B1: 1 ms

Requirements:

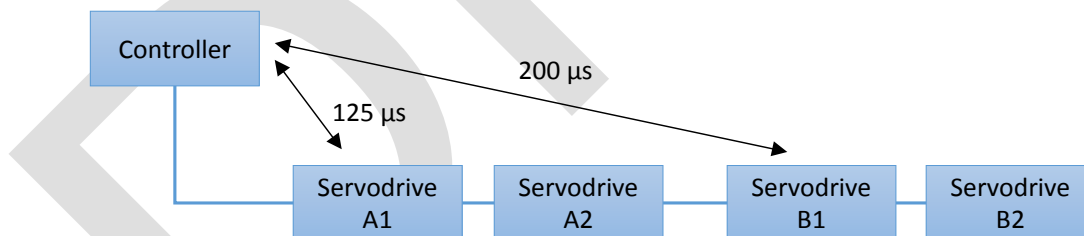
- Isochronous data exchange
- Different cycles for data exchange, which are not multiples of each other (cycles are not multiple of a common base, but fractions of a common base, here for instance 1 ms)

Useful 802.1Q mechanisms:

- Whatever helps
- ...

### 2.3.5.2 Controller communication

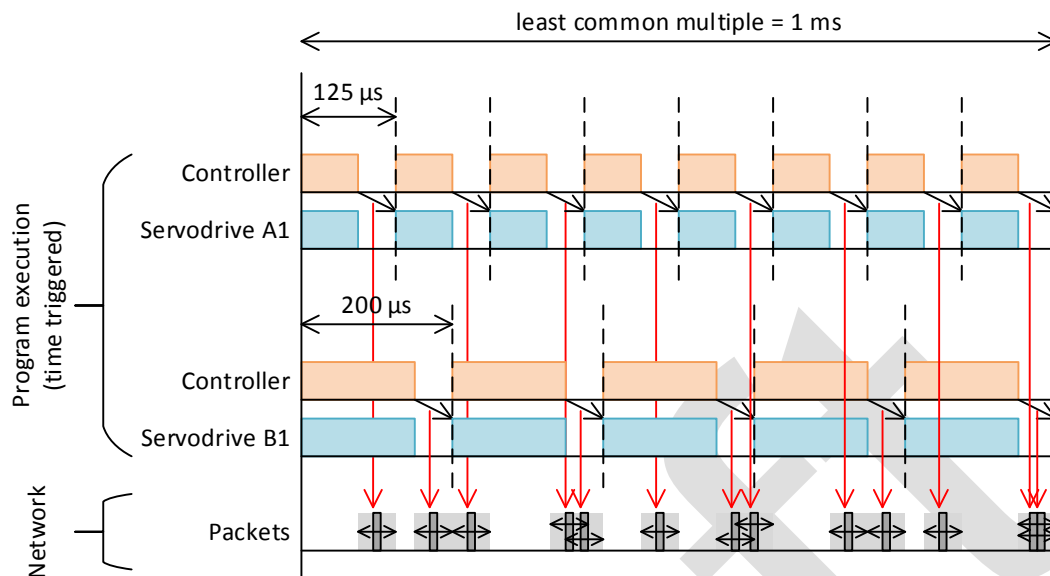
The Usecase concentrates on the communication between the devices A1 and B1, and the Controller as shown in Figure 13. Nevertheless the communication between A1/A2 and B1/B2 has to be solved as well.



**Figure 13 – Multivendor Motion – Controller communication**



### 2.3.5.3 Timing Requirements



**Figure 14 – Multivendor Motion – Timing Requirements**

The Controller runs 2 parallel programs in multitasking, one program with 125 μs cycle, and another with 200 μs cycle. Alternatively there might also be 2 independent controllers on the same network, one of vendor A and one of vendor B.

After every program execution, data needs to be exchanged between Controller and Servodrive. The time window for this exchange is application specific.

The actual data exchange on the wire can happen at any time in this window, the devices are not dependent on any exact transmission or reception timing, as long as the packet is in the scheduled window.

### 2.3.6 Use case 06: Drives without common application cycle but common network cycle

The concept of multiple different application cycles which are based on a common network cycle is described in Use case 04: Reduction ratio of network cycle.

Examples with different application cycle times but common network cycle time 31,25 μs:

- 31,25 μs, i.e. reduction ratio 1 for current control loop,
- 250 μs, i.e. reduction ratio 4 for position control loop,
- 1 ms, i.e. reduction ratio 16 for motor speed control loop,
- 16 ms, i.e. reduction ratio 256 for remote IO.

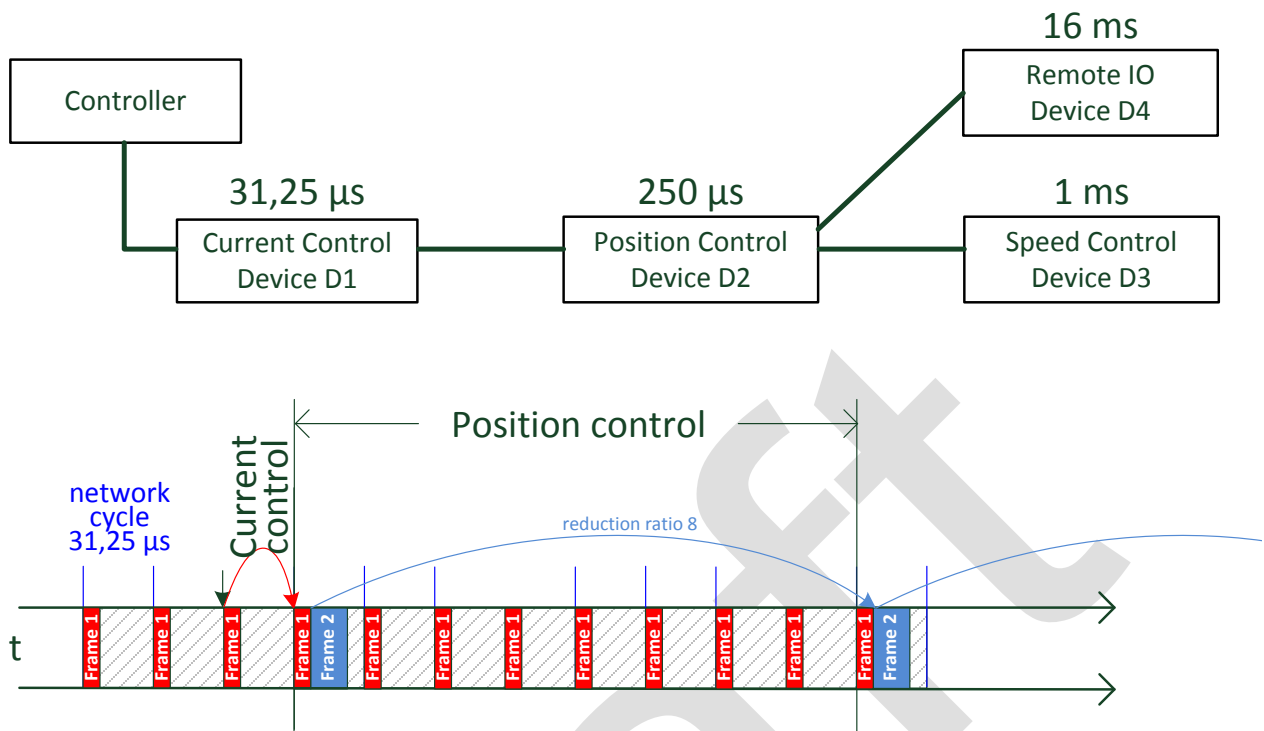


Figure 15 – different application cycles but common network cycle

## 2.4 Industrial automation networks

### 2.4.1 Use case 07: Redundant networks

Ring topologies are the basic industrial network architecture for switch-over or seamless redundancy.

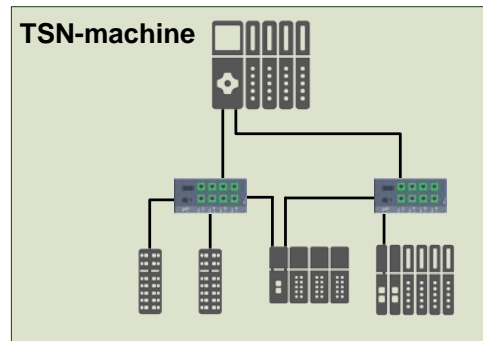


Figure 16 – ring topology

When a production cell is also arranged in a ring topology the resulting architecture of cell with attached TSN-machines is a connection of rings.

To even improve availability of the connection from the production cell into the machines this link can be arranged redundantly as well (TSN-machine 1 in Figure 17):

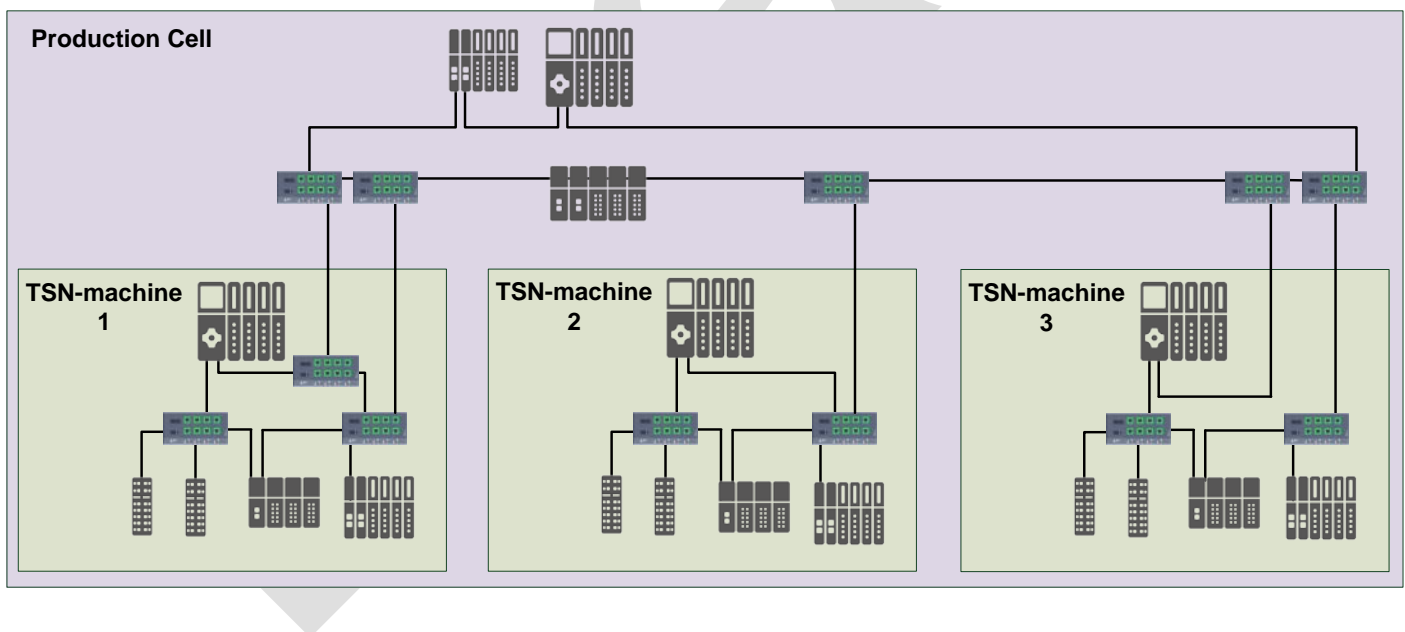


Figure 17 – connection of rings

#### Requirement:

Support redundant topologies with rings.

#### Useful 802.1 mechanisms:

- ...

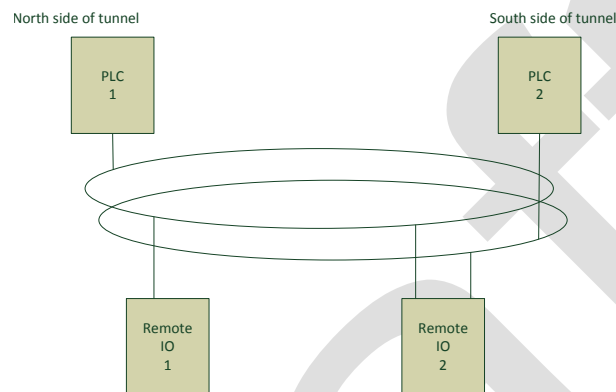
### 2.4.2 Use case 08: High Availability

High availability systems are composed of:

- Redundant networks, and
- Redundant stations.

E.g. tunnel control:

Tunnels need to be controlled by systems supporting high availability because airflow and fire protection are crucial for the protection of people's lives. In this case PLC, remote IO and network are installed to support availability in case of failure.



**Figure 18 – example topology for tunnel control**

#### Requirement:

Failure shall not create process disturbance – e.g. keep air flow active / fire control active.

The number of concurrent active failures without process disturbance depends on the application requirements and shall not be restricted by TSN profile definitions.

Parameter, program, topology changes need to be supported without disturbance.

#### Useful 802.1Q mechanisms:

- Redundancy for PLCs, Remote IOs and paths through the network
- ...

Further high availability control applications:

- Ship control
- Power generation
- Power distribution
- ...

### 2.4.3 Use case 09: Wireless

HMI panels, remote IOs, wireless sensors or wireless bridges are often used in industrial machines. Wireless connections may be based on IEEE 802.11 (Wi-Fi), IEEE 802.15.1 (Bluetooth) or 5G.

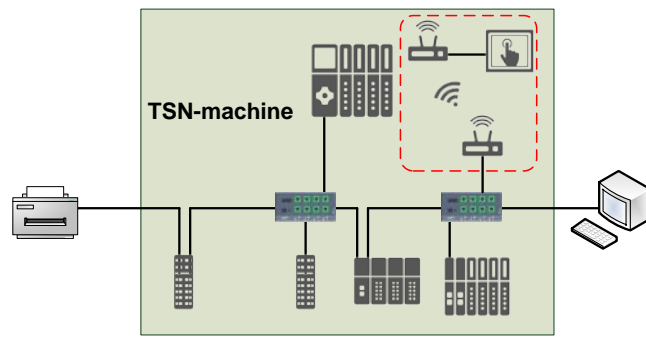


Figure 19 – HMI wireless connected using cyclic real-time

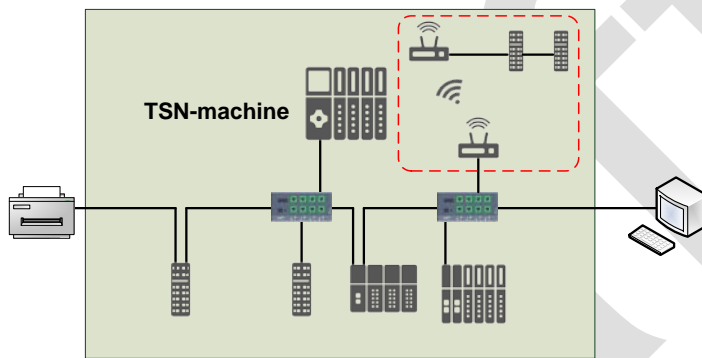


Figure 20 – Remote IO wireless connected using cyclic real-time

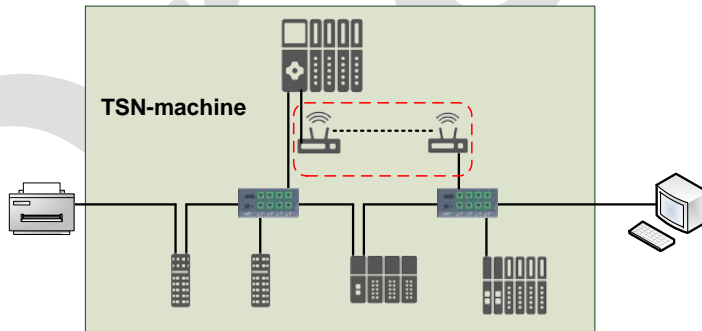


Figure 21 – Ring segment wireless connected for media redundancy

Requirement:

Support of wireless for

- cyclic real-time, and
- non-real-time communication

Useful 802.11 mechanisms:

- ...

Useful 802.15.1 mechanisms:

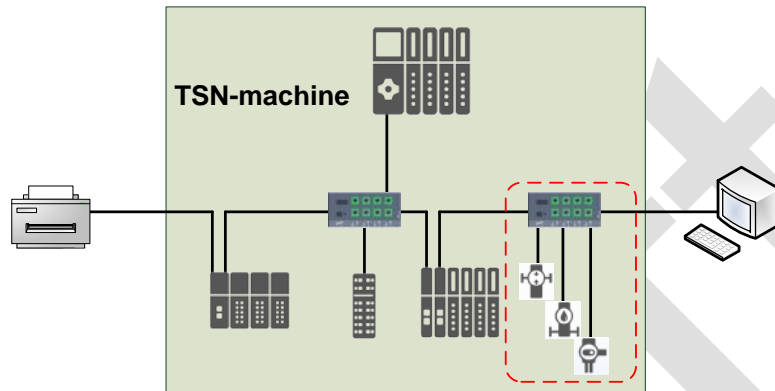
- ...

Useful 802.1Q mechanisms:

- ...

**2.4.4 Use case 10: IEEE 802.3cg APL support (Ethernet sensors)**

Simple and cheap sensor end-stations are directly attached via 10 Mbit/s links to the machine internal Ethernet and implement cyclic real-time communication with the PLC.



**Figure 22 – Ethernet sensors**

Requirement:

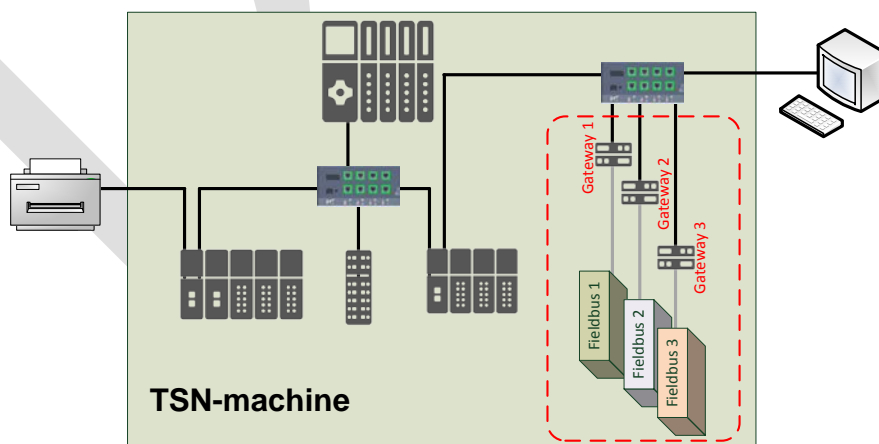
Support of 10 Mbit/s or higher link speed attached sensors (end-stations) together with POE and SPE (single pair Ethernet).

Useful 802.1Q mechanisms:

- ...

**2.4.5 Use case 11: Fieldbus gateway**

Gateways are used to integrate non-Ethernet fieldbuses into TSN domains.



**Figure 23 – fieldbus gateways**

Requirement:

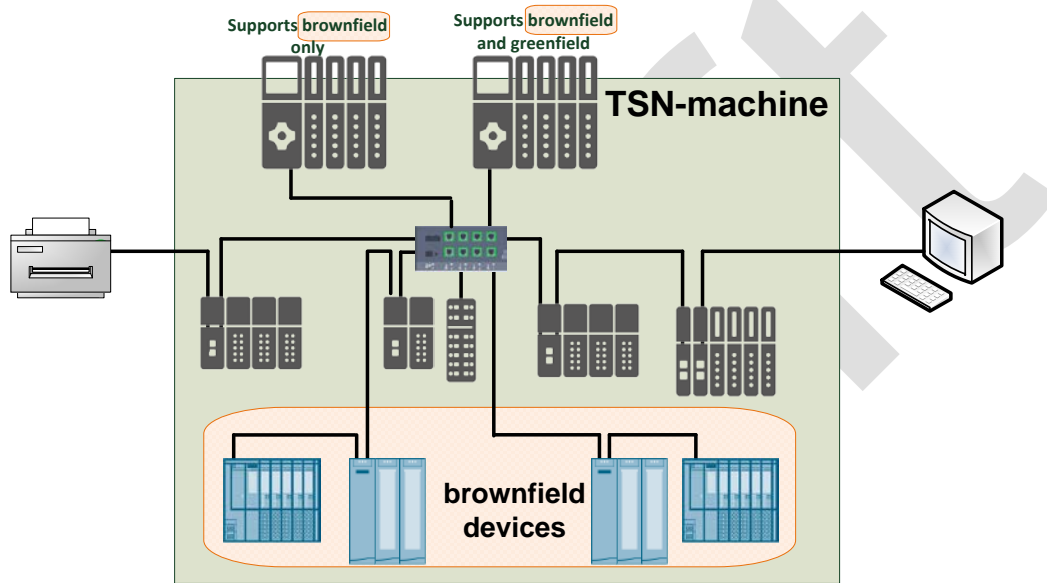
Support of non-Ethernet fieldbus devices via gateways either transparent or hidden.

Useful 802.1Q mechanisms:

- ...

**2.4.6 Use case 12: New machine with brownfield devices**

Brownfield devices with realtime communication are attached to a PLC, which supports both brownfield and greenfield, within a TSN-machine. This allows faster deployment of TSN devices into the field. Figure 24 gives an example of a TSN-machine with brownfield devices.



**Figure 24 – new machine with brownfield devices**

Requirement:

All machine internal stream traffic communication (stream traffic and non-stream traffic) is decoupled from and protected against the brownfield cyclic real-time traffic. Brownfield cyclic real-time traffic QoS is preserved within the TSN-machine.

Useful 802.1Q mechanisms:

- Priority Regeneration,
- separate "brownfield traffic queue".
- Queue-based resource allocation.

**2.4.7 Use case 13: Mixed link speeds**

Industrial use cases refer to link speeds, as shown in Table 8, in the range from 10 Mbit/s to 10 GBit/s for Ethernet and additional Wi-Fi, Bluetooth and 5G. Thus, the TSN domains need to handle areas with different link speeds.

**Table 8 – Link speeds**

Link speed	Media	Comments
100 kbit/s – 3 Mbit/s	Radio Bluetooth	These devices are connected thru a Bluetooth access point. They may be battery powered.

Link speed	Media	Comments
1 Mbit/s – 100 Mbit/s	Radio Wi-Fi	These devices are connected thru a Wi-Fi access point. They may be battery powered.
1 Gbit/s – 10 Gbit/s (theoretical/expected)	Radio 5G	These devices are connected thru a 5G access point. They may be battery powered.
10 Mbit/s	Copper or fiber	May be used for end station “only” devices connected as leaves to the domain. Dedicated to low performance and lowest energy devices for e.g. process automation. These devices may use PoE as power supply.
100 MBit/s	Copper or fiber	Historical mainly used for Remote IO and PLCs. Expected to be replaced by 1 GBit/s as common link speed.
1 GBit/s	Copper or fiber	Main used link speed for all kind of devices
2,5 GBit/s	Copper or fiber	High performance devices or backbone usage
5 GBit/s	Copper or fiber	Backbone usage, mainly for network components
10 GBit/s	Fiber	Backbone usage, mainly for network components

Mixing devices with different link speeds is a non-trivial task. Figure 25 and Figure 26 show the calculation model for the communication between an IOC and an IOD connected with different link speeds.

The available bandwidth on a communication path is determined by the path segment with the minimum link speed.

The weakest link of the path defines the usable bandwidth. If the topology guideline ensures that the connection to the end-station always is the weakest link, only these links need to be checked for the usable bandwidth.

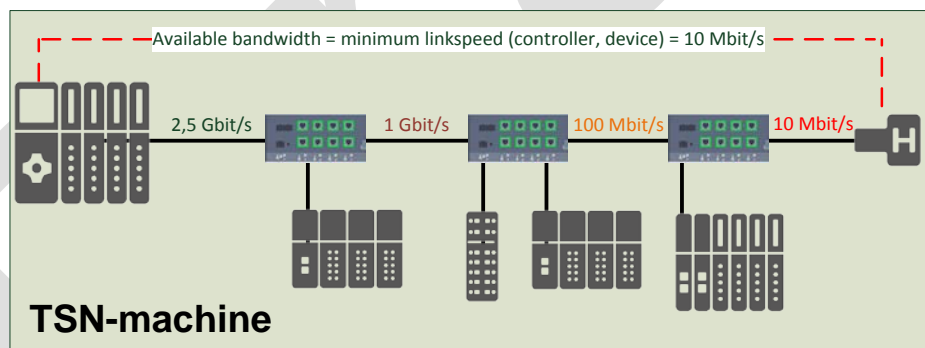
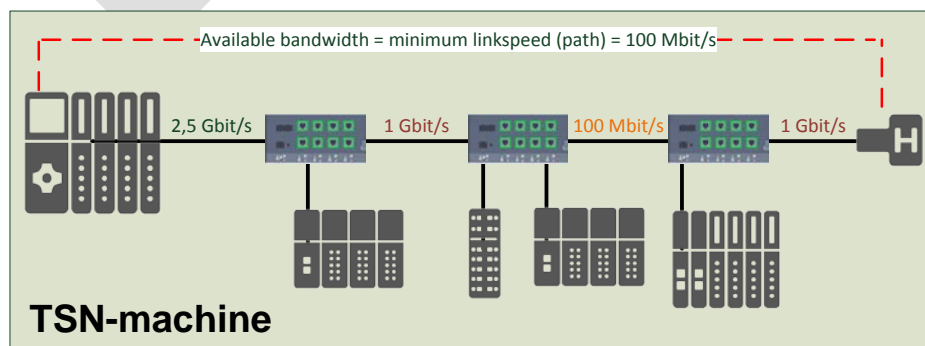


Figure 25 – mixed link speeds





### Figure 26 – mixed link speeds without topology guideline

#### Requirement:

Links with different link speeds as shown in Figure 25 share the same TSN profile based communication system at the same time.

Links with different link speeds without topology guideline (Figure 26) may be supported.

#### Useful 802.1 mechanisms:

- ...

#### 2.4.8 Use case 14: Multiple isochronous domains

Figure 27 shows a machine which needs due to timing constraints (network cycle time together with required topology) two or more separated isochronous real-time domains but shares a common cyclic real-time domain.

Both isochronous domains may have their own Working Clock and network cycle. The PLCs need to share remote I/Os using cyclic real-time traffic.

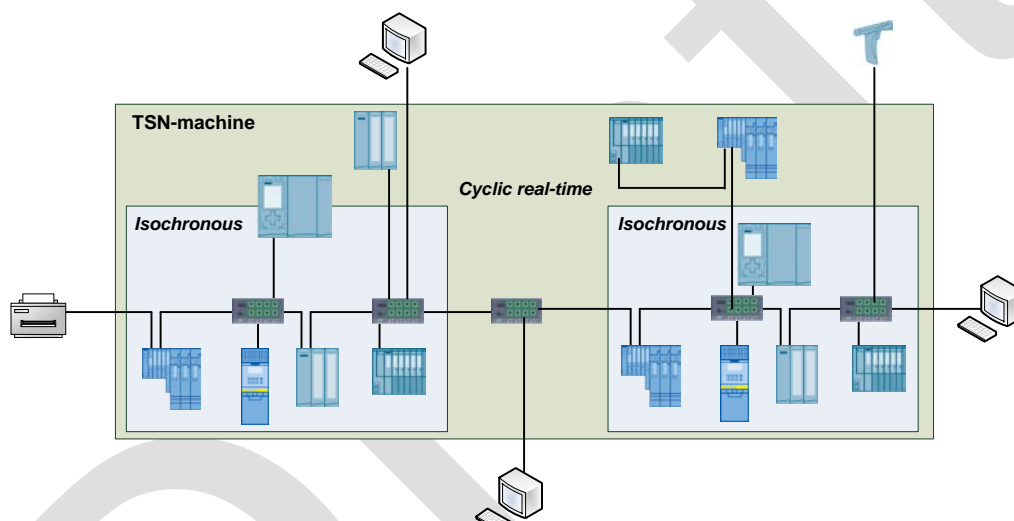
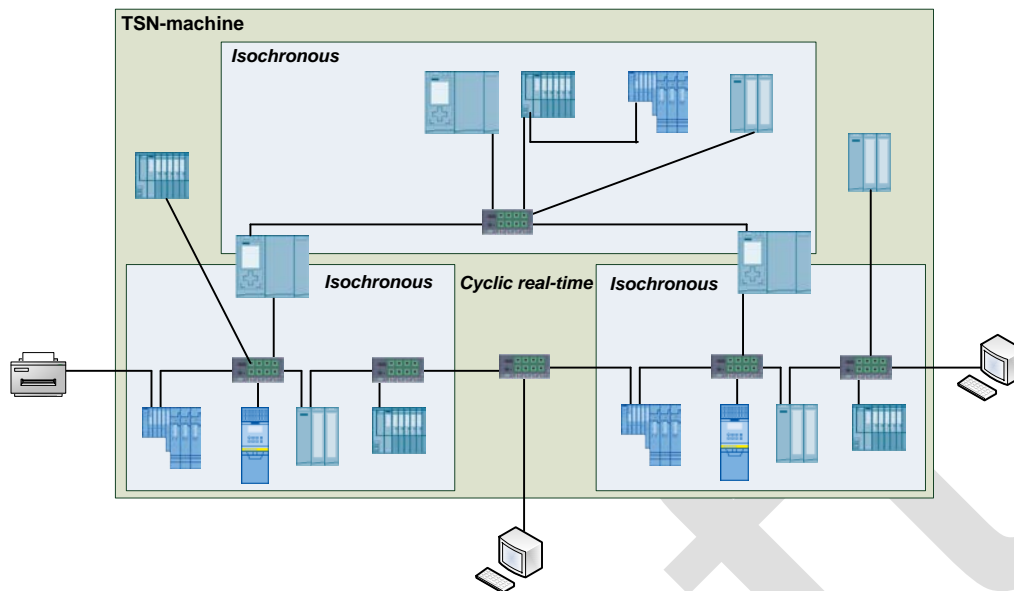


Figure 27 – multiple isochronous domains

Some kind of coupling (e.g. shared synchronization) between the isochronous domains / Working Clocks may be used (see Figure 28).

All isochronous domains may have different network cycle times, but the cyclic real-time data exchange shall still be possible for PLCs from both isochronous domains.



**Figure 28 – multiple isochronous domains - coupled**

**Requirements:**

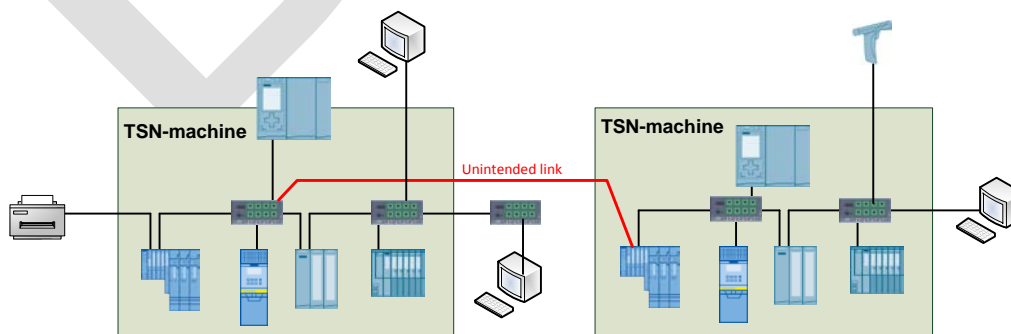
All isochronous real-time domains may run independently, loosely coupled or tightly coupled. They shall be able to share a cyclic real-time domain.

**Useful 802.1 mechanisms:**

- separate “isochronous” and “cyclic” traffic queues,
- Queue-based resource allocation in all bridges,
- ...

**2.4.9 Use case 15: Auto domain protection**

Machines are built in a way that not always all devices are really attached either due to different machine models/variants or repair. In this use case a TSN domain shall not expand automatically when e.g. two TSN-machines get connected via an unplanned and unintended link.



**Figure 29 – auto domain protection**

**Requirement:**

Support of auto domain protection to prevent unintended use of traffic classes

Useful 802.1Q mechanisms:

- Priority regeneration
- ...

#### **2.4.10 Use case 16: Vast number of connected stations**

Some industrial applications need a massive amount of connected stations like

- Car production sites
- Postal, Parcel and Airport Logistics
- ...

Examples for "Airport Logistics":

- Incheon International Airport, South Korea
- Guangzhou Baiyun International Airport, China
- London Heathrow Airport, United Kingdom
- Dubai International Airport, UAE
- ...

Dubai International Airport, UAE

Technical Data:

- 100 km conveyor length
- 222 check-in counters
- car park check-in facilities
- Max. tray speed: 7.5 m/s
- 49 make-up carousels
- 14 baggage claim carousels
- 24 transfer laterals
- Storage for 9,800 Early Bags
- Employing 48 inline screening
- Max. 8-stories rack system
- 10,500 ton steel
- 234 PLC's
- 16,500 geared drives
- [xxxx digital IOs]

Requirement:

Make sure that even this massive amount of stations works together with the TSN profile. This kind of applications may or may not require wireless support, too.

Useful 802.1 mechanisms:

- ...

## 2.4.11 Minimum required quantities

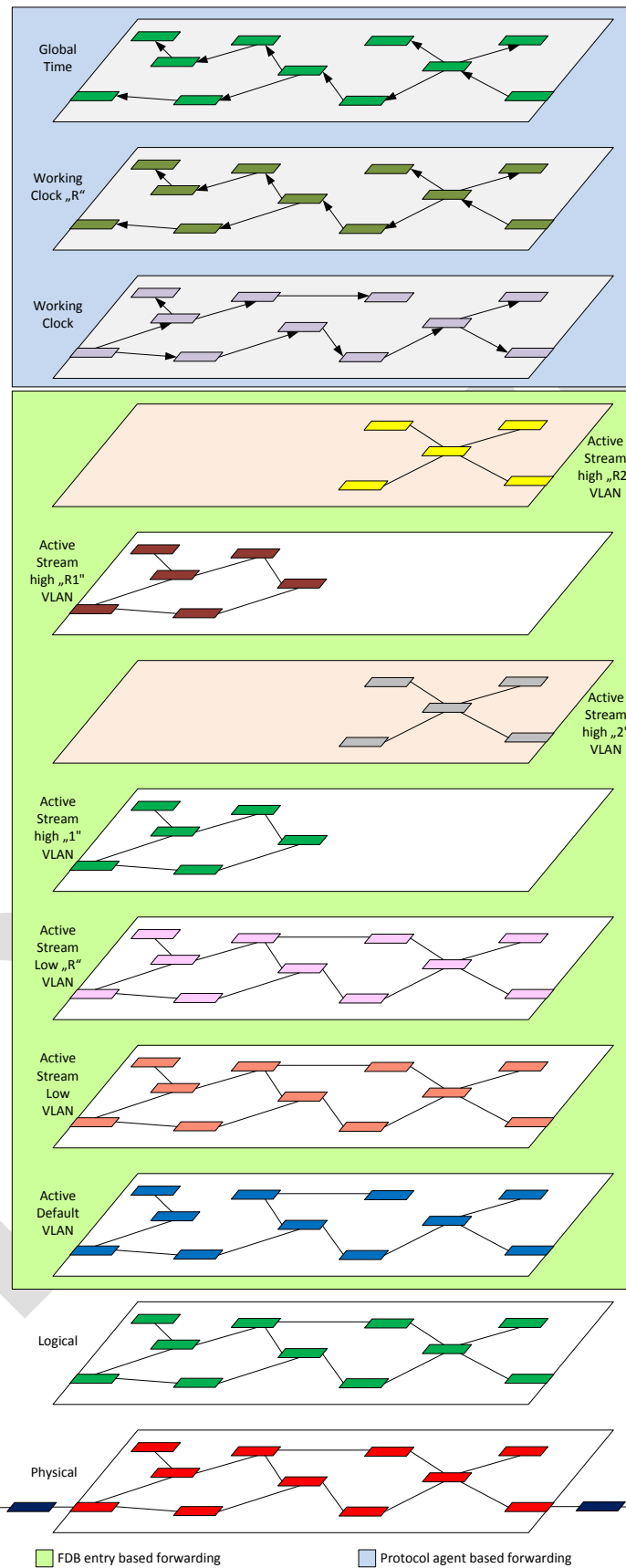
### 2.4.11.1 A representative example for VLAN requirements

Figure 30 shows the IEEE 802.1Q based stacked physical, logical and active topology model. This principle is used to build TSN domains.

It shows the different active topologies driven by either VID (identified by VLAN) or protocol (identified by DA-MAC and/or protocol type).

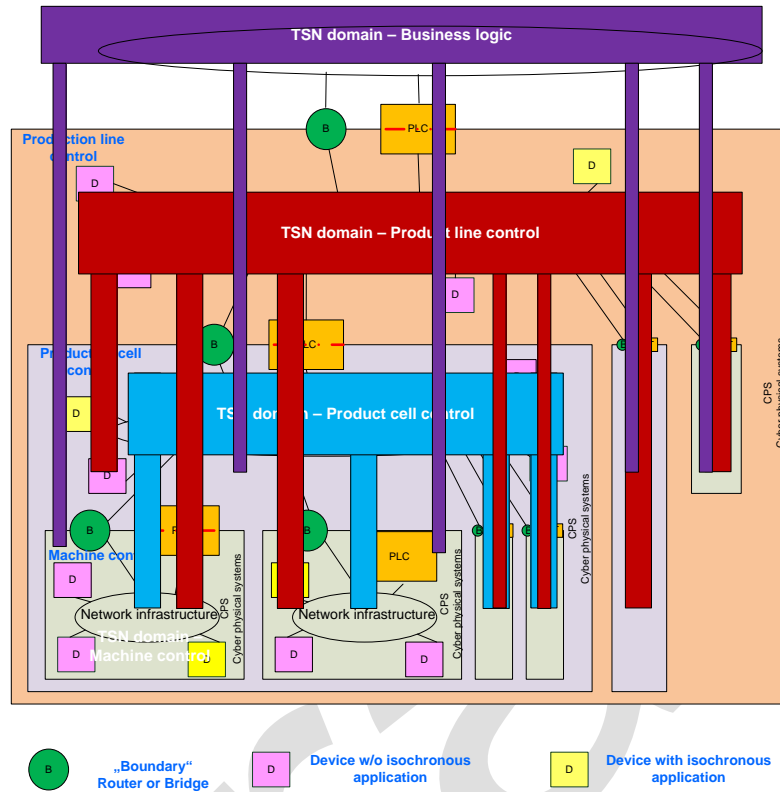
Additionally the number of to be supported VIDs per bridge is shown. The number of protocol agent defined active topologies is just an example because e.g. LLDP, RSTP or MST is missing.

Draft



**Figure 30** – Stacked layer model

Following the discussion about “use Ethernet together with TSN everywhere” may lead to network or product designs with overlapping TSN domains. Figure 31 shows an example for this case.



**Figure 31** – Example TSN domains for classic automation hierarchy

Expected numbers of DA-MAC address entries used together with five VLANs (Default, High, High Red, Low and Low Red) is shown in Table 9 and Table 10.

If a communication setup according Figure 31 is used, each TSN domain needs its own set of VLANs.

**Table 9 – Expected number of stream FDB entries**

# of VLANs	# of DA-MACs	Usage
4	4 096	Numbers of DA-MAC address entries used together with four VLANs (High, High Red, Low and Low Red)

Expected number of entries is given by the maximum device count of 1 024 together with the 50% saturation due to hash usage rule.

Table 10 shows the expected number of possible FDB entries.

**Table 10 – Expected number of non-stream FDB entries**

# of VLANs	# of entries	Usage
1	2 048	Learned and static entries for both, Unicast and Multicast

The hash based FDBs shall support a neighborhood for entries according to Table 11.

**Table 11 – Neighborhood for hashed entries**

Neighborhood	Usage
4	Optional A neighborhood of four entries is used to store a learned entry if the hashed entry is already used. A neighborhood of four entries for the hashed index is check to find or update an already learned forwarding rule.
8	Default A neighborhood of eight entries is used to store a learned entry if the hashed entry is already used. A neighborhood of eight entries for the hashed index is check to find or update an already learned forwarding rule.
16	Optional A neighborhood of sixteen entries is used to store a learned entry if the hashed entry is already used. A neighborhood of sixteen entries for the hashed index is check to find or update an already learned forwarding rule.

#### 2.4.11.2 A representative example for data flow requirements

Layer-2 domains in an industrial automation network for cyclic real-time traffic can span multiple Cyber-physical systems, which are connected by bridges. The following maximum quantities apply:

- Stations: 1024
- Network diameter: 64
- per PLC for Controller-to-Device (C2D) – one to one or one to many – communication:
  - o 512 producer and 512 consumer data flows
  - o 64 kByte Output und 64 kByte Input data
- per Device for Device-to-Device (D2D) – one to one or one to many – communication:
  - o 2 producer and 2 consumer data flows
  - o 1400 Byte per data flow
- per PLC for Controller-to-Controller (C2C) – one to one or one to many – communication:
  - o 64 producer and 64 consumer data flows
  - o 1400 Byte per data flow
- Example calculation for eight PLCs
  - $8 \times 512 \times 2 = 8192$  data flows for C2D communication
  - $8 \times 64 \times 2 = 1024$  data flows for C2C communication
  - $8 \times 64 \text{ kByte} \times 2 = 1024 \text{ kByte}$  data for C2D communication
  - $8 \times 64 \times 1400 \text{ Byte} \times 2 = 1400 \text{ kByte}$  data for C2C communication
- All above shown data flows may optionally be redundant for seamless switchover due to the need for High Availability.

Application cycle times for the 512 producer and 512 consumer data flows differ and follow the application process requirements.

E.g. 125  $\mu$ s for those used for control loops and 500  $\mu$ s to 512 ms for other application processes. All may be used concurrently and may have frames sizes between 1 and 1440 bytes.

### 2.4.11.3 A representative example of communication use cases

IO Station – Controller (input direction)

- Up to 2000 published + subscribed signals (typically 100 – 500)
- Scan interval time: 0,5 ..100ms (typical 10ms)

Controller – Controller (inter-application)

- Up to 1000 published + subscribed signals (typically 100 – 250)
- Application task interval time: 10..1000ms (typical 100ms)
- Resulting Scan interval time: 5 ... 500 ms

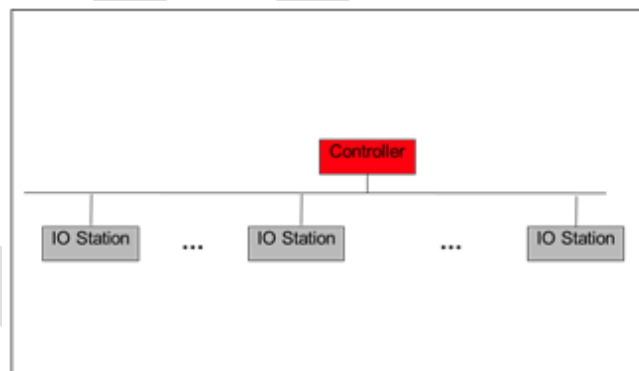
Closing the loop within/through the controller

- Up to 2000 published + subscribed signals (typically 100 – 500)
- Application task interval time: 1..1000ms (typical 100ms)
- Resulting Scan interval time when spreading over controllers: 0,5 ... 500 ms

Controller – IO Station (output direction)

- Up to 2000 published + subscribed signals (typically 100 – 500)
- Application task interval time: 10..1000ms (typical 100ms)
- Resulting Scan interval time: 5 ... 500 ms

### 2.4.11.4 “Fast” process applications



**Figure 32 – Logical communication concept for fast process applications**

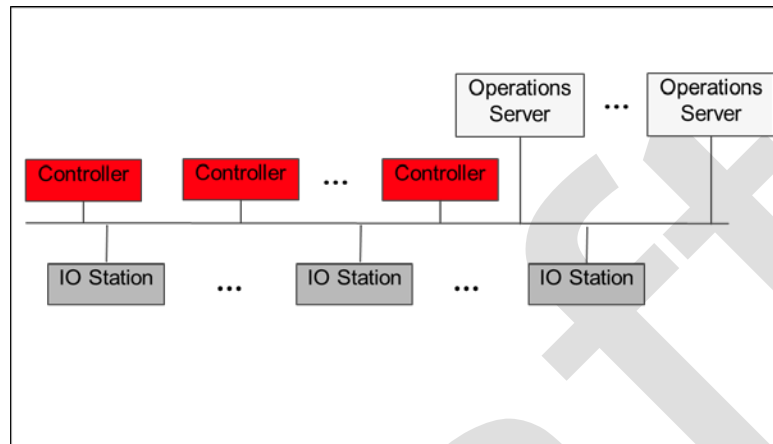
Specifics:

- Limited number of nodes communicating with one Controller (e.g. Turbine Control)
- Up to a dozen Nodes of which typically one is a controller
- Data subscriptions (horizontal):



- 270 bytes published + subscribed per IO-station
- Scan Interval time 0,5 to 2 ms
- Physical Topology: Redundant (as path and as device)

#### 2.4.11.5 Server consolidation



**Figure 33 – Server consolidated logical connectivity**

Data access to Operations Functionalities consolidated through Servers

- Up to 100 Nodes in total
- Out which are up to 25 Servers

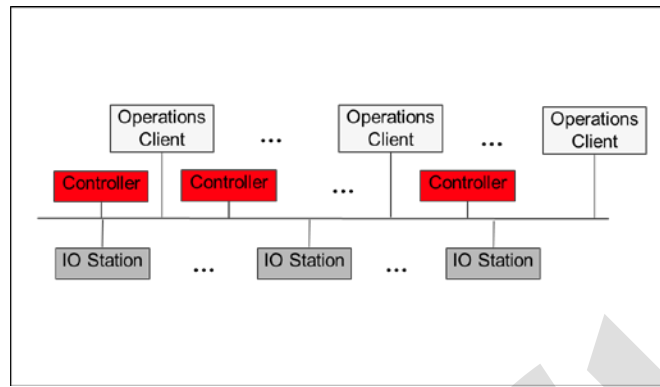
Data subscriptions (vertical):

- Each station connected to at least 1 Server
- max. 20000 subscribed items per Controller/IO-station
- 1s update rate
- 50% analog items -> 30% change every sec

Different physical topologies

- Rings, stars, redundancy

### 2.4.11.6 Direct client access



**Figure 34 – Clients logical connectivity view**

Data access to Operations Functionalities directly by Clients

- Max 20 direct access clients

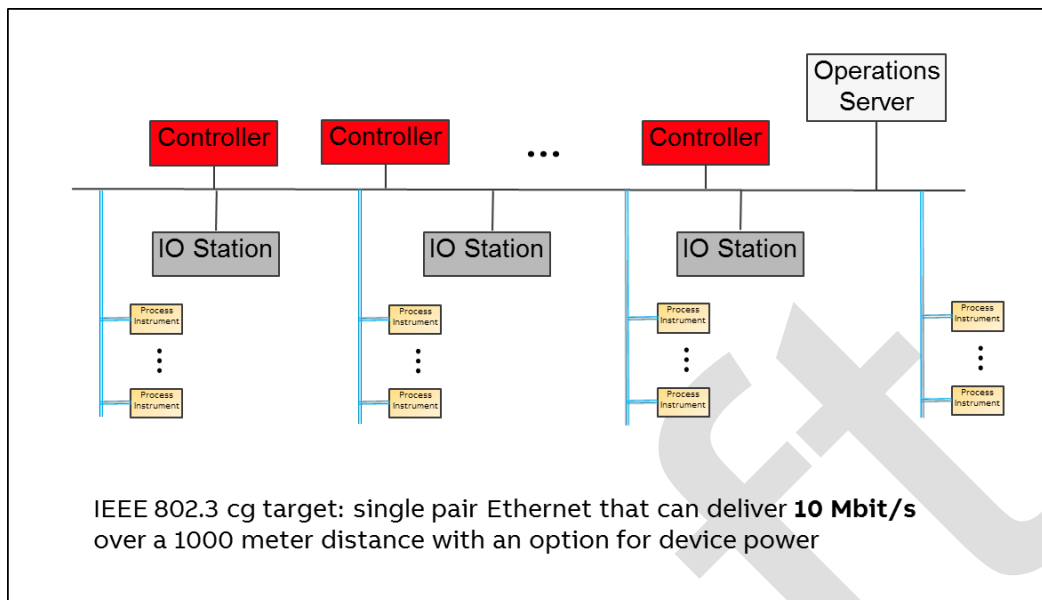
Data subscriptions (vertical):

- Up to 3000 subscribed items per client
- 1s update rate
- Worst case 60000 items/second per controller in classical Client/Server setup
- 50% analog items -> 30% change every sec

Different physical topologies

- Rings, stars, redundancy

### 2.4.11.7 Field devices



**Figure 35 – Field devices with 10Mbit/s**

Field Networks integrated with converged network

- Up to 50 devices per field segment
- Scan interval 50ms ... 1s, typical 250ms
- Mix of different device types from different vendors
- Many changes during runtime

### 2.4.12 Bridge Resources

The bridge shall provide and organize its resources in a way to ensure robustness for the traffic defined in this document as shown in Formula (1).

The queuing of frames needs resources to store them at the destination port. This resources may be organized either bridge globally, port globally or queue locally.

The chosen resource organization model influences the needed amount of frame resources.

For bridge memory calculation Formula (1) applies.

$$\text{MinimumFrameMemory} = (\text{NumberOfPorts} - 1) \times \text{MaxPortBlockingTime} \times \text{Linkspeed} \quad (1)$$

Where

<i>MinimumFrameMemory</i>	is minimum amount of frame buffer needed to avoid frame loss from non stream traffic due to streams blocking egress ports.
<i>NumberOfPorts</i>	is number of ports of the bridge without the management port.
<i>MaxPortBlockingTime</i>	is intended maximum blocking time of ports due to streams per millisecond.
<i>Linkspeed</i>	is intended link speed of the ports.

Formula (1) assumes that all ports use the same link speed and a bridge global frame resource management. Table 12, Table 13, Table 14, and Table 15 shows the resulting values for different link speeds.

The traffic from the management port to the network needs a fair share of the bridge resources to ensure the required injection performance into the network. This memory (use for the real-time frames) is not covered by this calculation.

**Table 12 – MinimumFrameMemory for 100 Mbit/s (50%@1 ms)**

# of ports	MinimumFrameMemory [KBytes]	Comment
1	0	The memory at the management port is not covered by Formula (1)
2	6,25	All frames received during the 50%@1 ms := 500 $\mu$ s at one port needed to be forwarded to the other port are stored during the allocation of this port due to stream transmission.
3	12,5	All frames received during the 50%@1 ms := 500 $\mu$ s at two ports needed to be forwarded to the other port are stored during the allocation of this port due to stream transmission.
4	18,75	All frames received during the 50%@1 ms := 500 $\mu$ s at three ports needed to be forwarded to the other port are stored during the allocation of this port due to stream transmission.
other	tbd	tbd

**Table 13 – MinimumFrameMemory for 1 Gbit/s (20%@1 ms)**

# of ports	MinimumFrameMemory [KBytes]	Comment
1	0	The memory at the management port is not covered by Formula (1)
2	25	All frames received during the 20%@1 ms := 200 $\mu$ s at one port needed to be forwarded to the other port are stored during the allocation of this port due to stream transmission.
3	50	All frames received during the 20%@1 ms := 200 $\mu$ s at two ports needed to be forwarded to the other port are stored during the allocation of this port due to stream transmission.
4	75	All frames received during the 20%@1 ms := 200 $\mu$ s at three ports needed to be forwarded to the other port are stored during the allocation of this port due to stream transmission.
other	tbd	tbd

**Table 14 – MinimumFrameMemory for 2,5 Gbit/s (10%@1 ms)**

# of ports	MinimumFrameMemory [KBytes]	Comment
1	0	The memory at the management port is not covered by Formula (1)
2	31,25	All frames received during the 10%@1 ms := 100 $\mu$ s at one port needed to be forwarded to the other port are stored during the allocation of this port due to stream transmission.
3	62,5	All frames received during the 10%@1 ms := 100 $\mu$ s at two ports needed to be forwarded to the other port are stored during the allocation of this port due to stream transmission.
4	93,75	All frames received during the 10%@1 ms := 100 $\mu$ s at three ports needed to be forwarded to the other port are stored during the allocation of this port due to stream transmission.

# of ports	MinimumFrameMemory [KBytes]	Comment
other	tbd	tbd

**Table 15 – MinimumFrameMemory for 10 Gbit/s (5%@1 ms)**

# of ports	MinimumFrameMemory [KBytes]	Comment
1	0	The memory at the management port is not covered by Formula (1)
2	62,5	All frames received during the 5%@1 ms := 50 $\mu$ s at one port needed to be forwarded to the other port are stored during the allocation of this port due to stream transmission.
3	125	All frames received during the 5%@1 ms := 50 $\mu$ s at two ports needed to be forwarded to the other port are stored during the allocation of this port due to stream transmission.
4	187,5	All frames received during the 5%@1 ms := 50 $\mu$ s at three ports needed to be forwarded to the other port are stored during the allocation of this port due to stream transmission.
other	tbd	tbd

A per port frame resource management leads to the same values, but reduced the flexibility to use free frame resources for other ports.

A per queue per port frame resource management would increase (multiplied by the number of to be covered queues) the needed amount of frame resources dramatically almost without any benefit.

Example “per port frame resource”:

100 Mbit/s, 2 Ports, and 6 queue

Needed memory := 6,25 KOctets \* 6 := 37,5 KOctets.

No one is able to define which queue is needed during the “stream port blocking” period.

## 2.5 Industrial automation machines, production cells, production lines

### 2.5.1 Use case 17: Machine to Machine (M2M/C2C) Communication

Preconfigured TSN-machines, which include tested and approved internal communication, communicate with other preconfigured TSN-machines, with a supervisory PLC of the production cell or line or with an OS (Operator System).

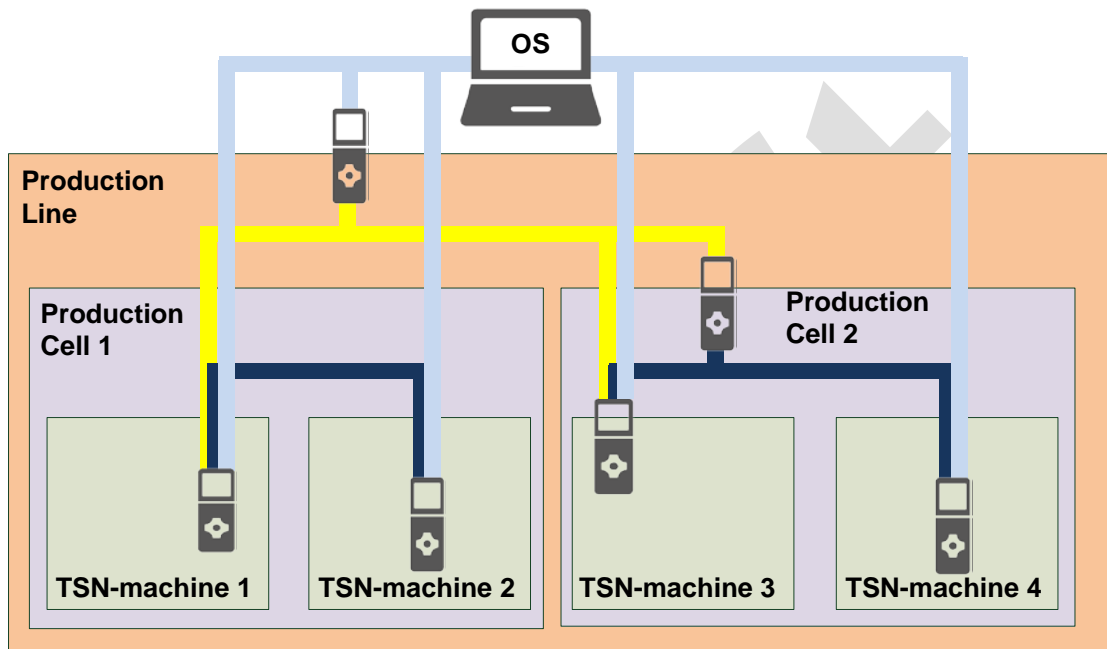


Figure 36 – M2M in hierarchical domains

Figure 37 gives an example of M2M communication to a supervisory PLC and Figure 38 shows an example of M2M communication relations between TSN-machines. Additionally Figure 39 shows an example where M2M communication is used to connect a PC for diagnostics/monitoring.

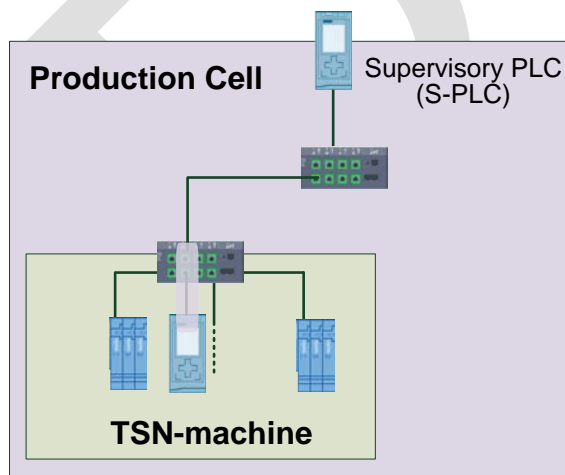


Figure 37 – M2M with supervisory PLC

PLCs with one single interface lead to overlapping communication paths of M2M and machine internal traffic. In this case two domains (TSN-machine / production cell) need to share TSN resources.

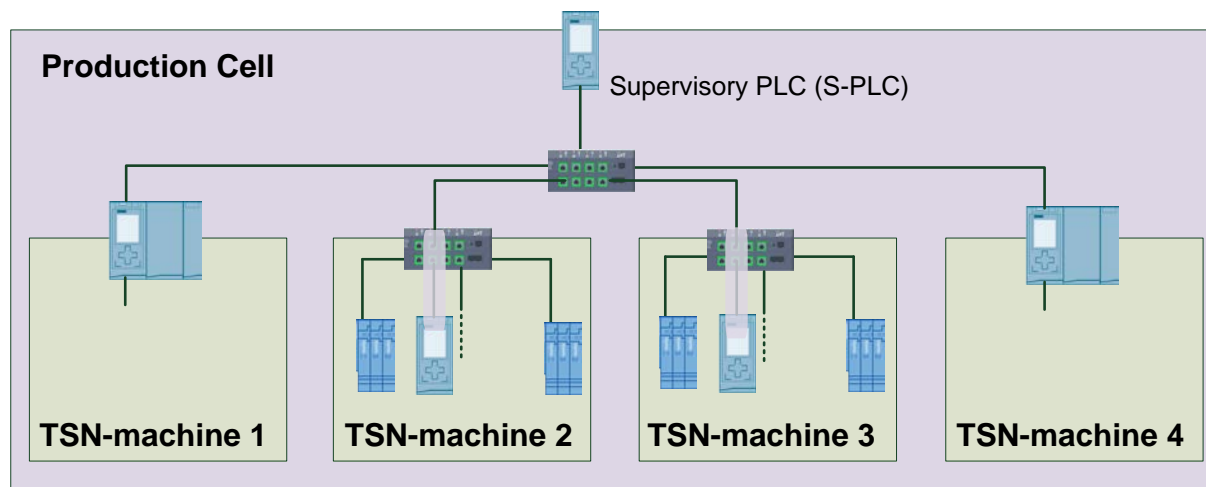


Figure 38 – M2M with four machines

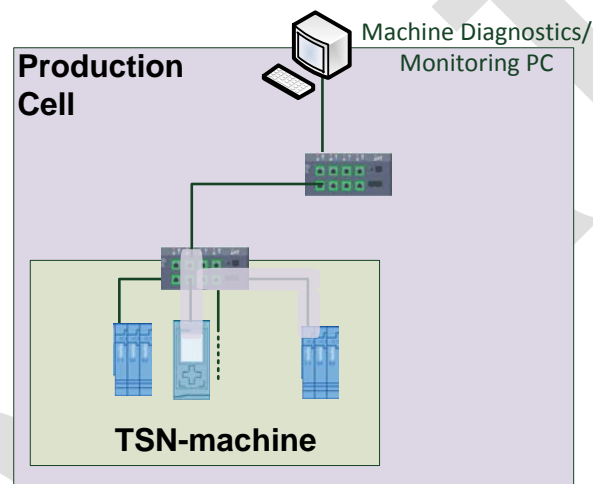


Figure 39 – M2M with diagnostics/monitoring PC

Figure 39 shows a M2M diagnostics related use case: communication is cyclic and must happen within short application cycle times. An example of this use case is the verification of proper behavior of a follower drive, in a master-follower application. Today, the use case is covered by connecting a common PC to an interface of the follower drive. The various TSN mechanisms may now make it possible to connect such a PC network interface card anywhere in the system network and still gather the same diagnostics with the same guarantees, as the current direct connection. The required guarantees are: each 4 ms a frame of the 802.3 MTU must be sent from a follower drive and have its delivery guaranteed to the network interface of the PC used to perform the diagnostics. Of course, local PC-level processing of such frames has to be implemented such that the diagnostic application gets the required quality of service.

From the communication point of view the two types of machine interface shown in Figure 38 are identical. The PLC represents the machine interface and uses either a dedicated (TSN-machine 1 and 4) or a shared interface (TSN-machine 2 and 3) for communication with other machines and/or a supervisory PLC. The communication relations between machines may or may not include or make use of a supervisory PLC.

## Private machine domains

Dedicated machine interfaces can decouple machine internal information and communication as private domain from the public upper layer networks of production cells or plants.

The private machine domain restricts access from outside:

- Nothing can directly access internal entities.
- Nothing passes through the private machine domain.

Only preconfigured communication may run in the private machine domain. All machine assets can thoroughly be managed by private means. Figure 40 shows six private domain machines with dedicated controller interfaces for TSN stream based M2M communication.

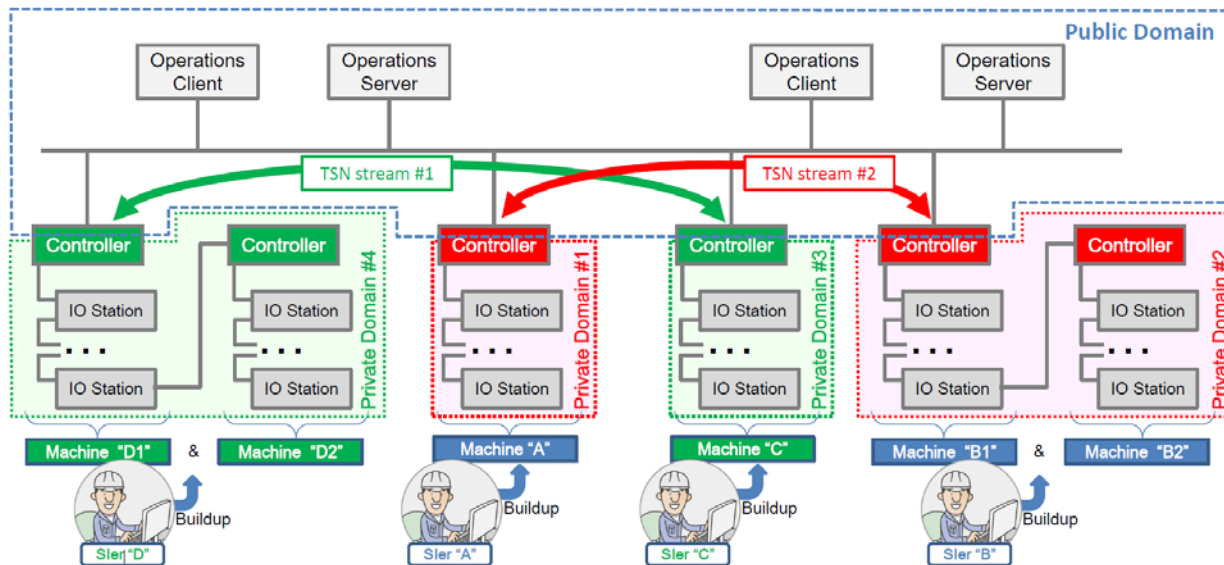


Figure 40 – Private machine domains

### Requirement:

All machine internal communication (stream traffic and non-stream traffic) is decoupled from and protected against the additional M2M traffic and vice versa.

1:1 and 1:many communication relations shall be possible.

### Useful 802 mechanisms:

- 802.1Qbu, 802.1Qbv, 802.1Qci, Fixed priority, 802.3br
- Priority Regeneration,
- Queue-based resource allocation,
- VLANs to separate address domains.

### 2.5.2 Use case 18: Pass-through Traffic

Machines are supplied by machine builders to production cell/line builders in tested and approved quality. At specific boundary ports standard devices (e.g. barcode reader) can be attached to the machines. The machines support transport of non-stream traffic through the tested/approved machine ("pass-through traffic") without influencing the operational behavior of the machine, e.g. connection of a printer or barcode reader. Figure 41, Figure 42 and Figure 43 give some examples of pass-through traffic installations in industrial automation.



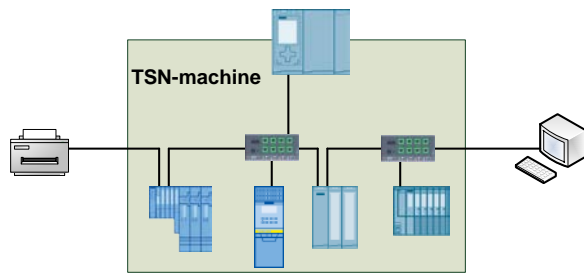


Figure 41 – pass-through one machine

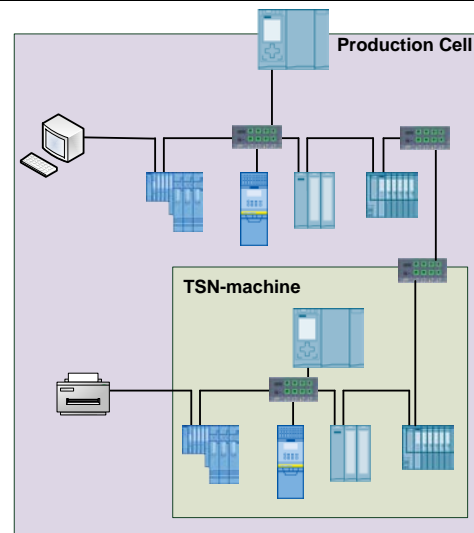


Figure 42 – pass-through one machine and production cell

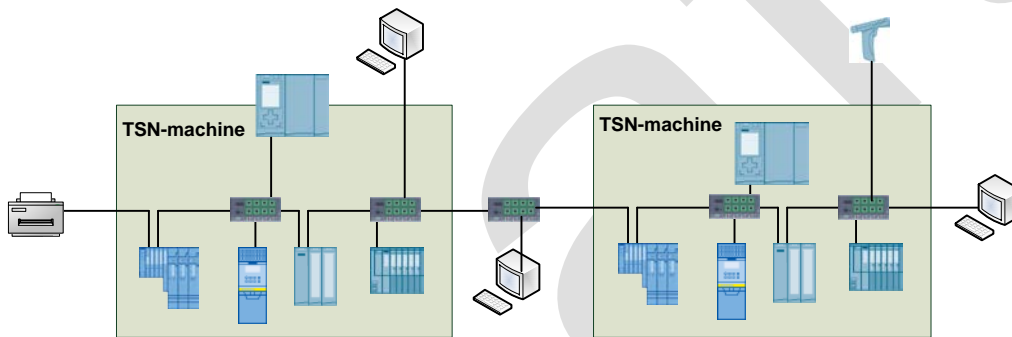


Figure 43 – pass-through two machines

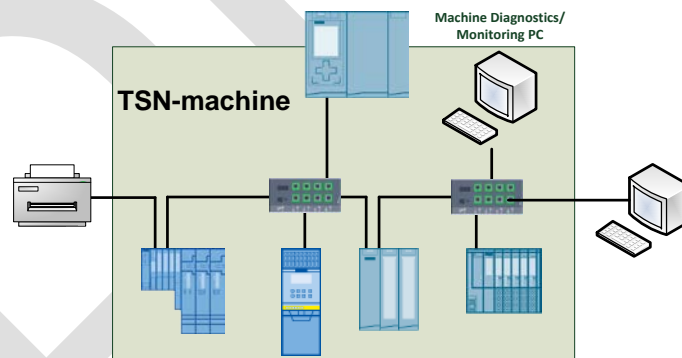


Figure 44 – machine with diagnostics / monitoring PC

Requirement:

All machine internal communication (stream traffic and non-stream traffic) is decoupled from and protected against the additional “pass-through” traffic.  
 “Pass-through” traffic is treated as separate traffic pattern.

Useful 802.1Q mechanisms:

- Priority Regeneration,
- separate "pass-through traffic queue",
- Queue-based resource allocation in all bridges,

- Ingress rate limiting.

### 2.5.3 Modular Machines

#### 2.5.3.1 Use case 19: Modular machine assembly

In this use case machines are variable assemblies of multiple different modules. Effective assembly of a machine is executed in the plant dependent on the current stage of production, e.g. bread-machine with the modules: base module, 'Kaisersemmel' module, 'Rosensemmel' module, sesame caster, poppy-seed caster, baking oven OR advertisement feeder for newspapers.

Figure 45 may have relaxed latency requirements, but the TSN-machine in Figure 46 needs to work with very high speed and thus has very demanding latency requirements.

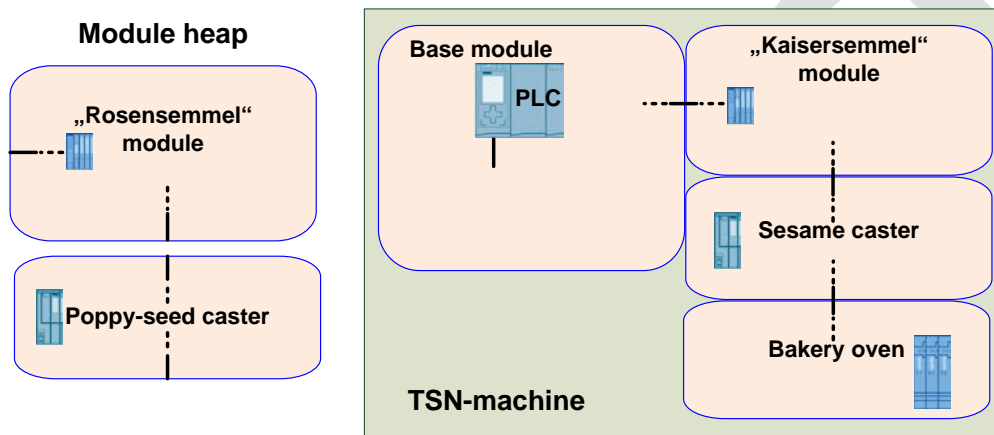


Figure 45 – modular bread-machine

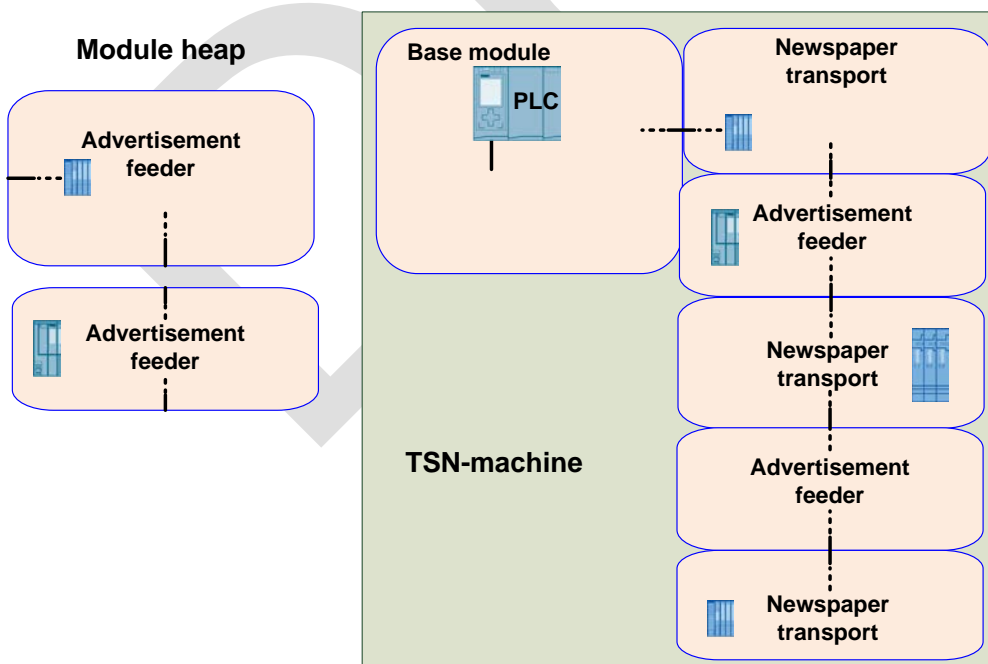


Figure 46 – modular advertisement feeder

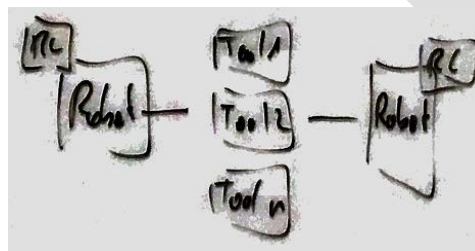
Requirement:

Modules can be assembled to a working machine variably on-site (either in run, stop or power down mode) as necessary (several times throughout a day). The TSN-machine produces the selected variety of a product. TSN communication is established automatically after the modules are plugged without management/ configuration interaction.

**2.5.3.2 Use case 20: Tool changer**

Tools (e.g. different robot arms) are in power off mode. During production a robot changes its arms for different production steps.

They get mechanically connected to a robot arm and then powered on. The time till operate influences the efficiency of the robot and thus the production capacity of the plant. Robots may share a common tool pool. Thus the “tools” are connected to different robots during different production steps.



**Figure 47 – tool changer**

Requirement:

- Added portion of the network needs to be up and running (power on to operate) in less than 500ms.
- Extending and removing portions of the network (up to 16 devices) in operation
  - by one connection point (one robot using a tool)
  - by multiple connection points (multiple robots using a tool)

Useful 802.1Q mechanisms:

- preconfigured streams
- ...

### 2.5.4 Use case 21: Dynamic plugging and unplugging of machines (subnets)

E.g. multiple AGVs (automatic guided vehicles) access various docking stations to get access to the supervisory PLC. Thus, an AGV is temporary not available. An AGV may act as CPS or as a bunch of devices.

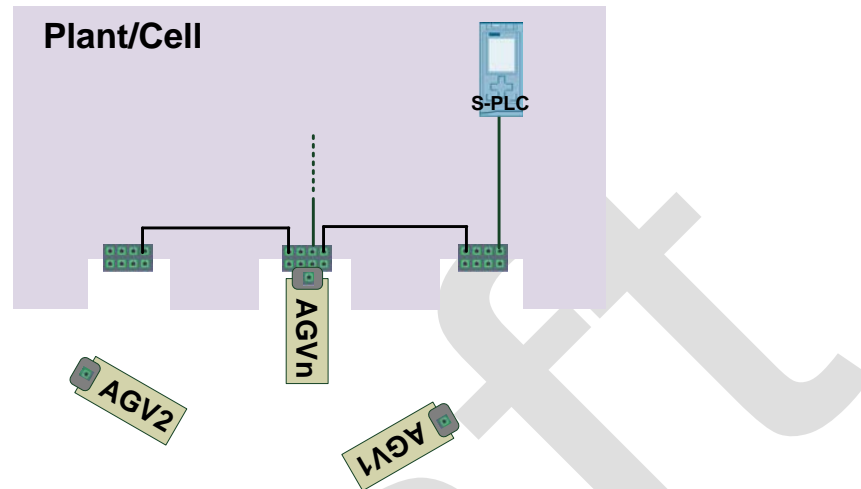


Figure 48 – AGV plug and unplug

#### Requirement:

The TSN traffic from/to AGVs is established/removed automatically after plug/unplug events.

Different AGVs may demand different traffic layouts.

The time till operate influences the efficiency of the plant.

Thousands of AGS may be used concurrently, but only a defined amount of AGVs is connected at a given time.

#### Useful 802.1Q mechanisms:

- preconfigured streams
- ...

### 2.5.5 Use case 22: Energy Saving

Complete or partial plant components are switched off and on as necessary to save energy. Thus, portions of the plant are temporarily not available.

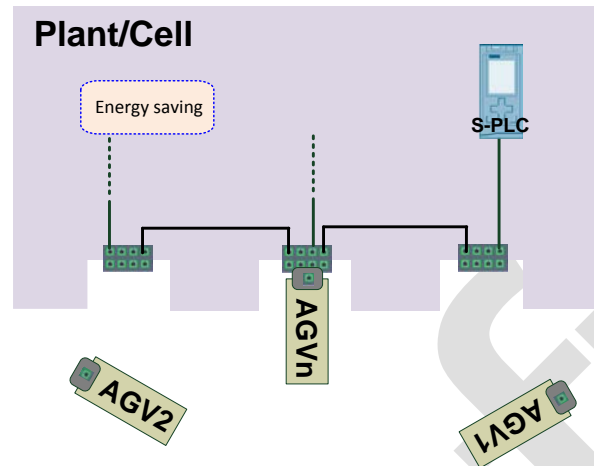


Figure 49 – energy saving

#### Requirement:

Energy saving region switch off/on shall not create process disturbance.

Communication paths through the energy saving area between end-stations, which do not belong to the energy saving area, shall be avoided.

#### Useful 802.1Q mechanisms:

- Appropriate path computation by sorting streams to avoid streams passing through energy saving region.

### 2.5.6 Use case 23: Add machine, production cell or production line

When production capacity is exhausted, additional machines, production cells or even production lines are bought and integrated into a plant.

E.g. an additional welding robot is added to a production cell to increase production capacity. The additional machine has to be integrated into the production cell control with minimal disturbance of the production cell process.

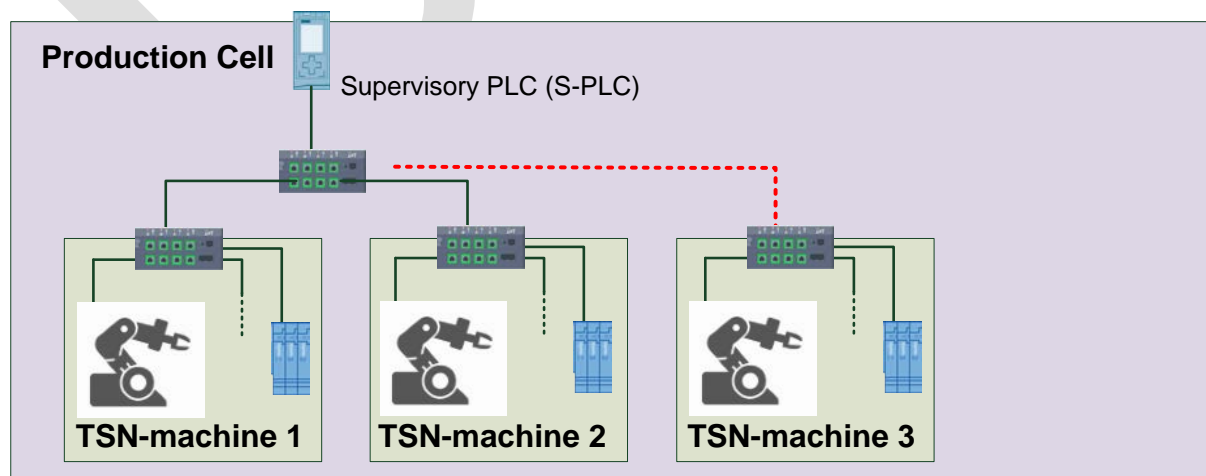


Figure 50 – add machine

Requirement:

Adding a machine/cell/production line shall not disturb existing installations

Useful mechanisms:

- ...

### 2.5.7 Use case 24: Multiple applications in a station using TSN

E.g. Technology A and B in PLC and devices.

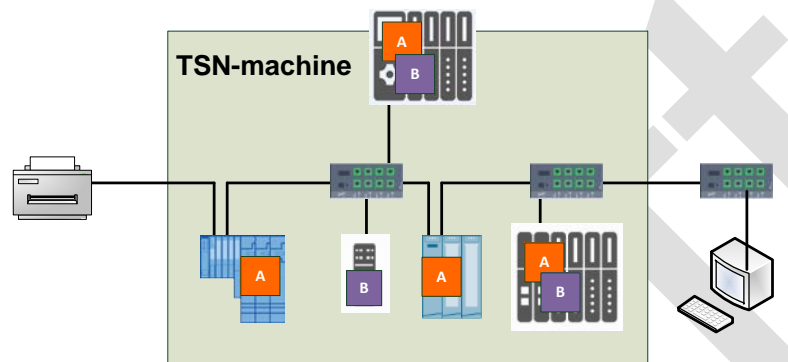


Figure 51 – two applications

Requirement:

Stations with multiple applications using TSN traffic classes shall be supported.

Useful 802.1 mechanisms:

- ...

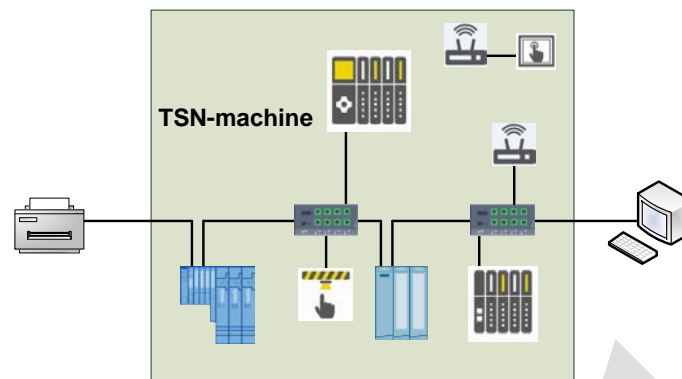
### 2.5.8 Use case 25: Functional safety

Functional safety is defined in IEC 61508 as “*part of the overall safety relating to the EUC [Equipment Under Control] and the EUC control system that depends on the correct functioning of the E/E/PE [electrical/electronic/programmable electronic] safety-related systems and other risk reduction measures*”

IEC 61784-3-3 defines a safety communication layer structure, which is performed by a standard transmission system (black channel), and an additional safety transmission protocol on top of this standard transmission system.

The standard transmission system includes the entire hardware of the transmission system and the related protocol functions (i.e. OSI layers 1, 2 and 7).

Safety applications and standard applications are sharing the same standard communication systems at the same time.



**Figure 52 – Functional safety with cyclic real-time**

Requirement:

Safety applications (as black channel) and standard applications share the same TSN profile based communication system at the same time.

Useful 802.1 mechanisms:

- ...

## 2.6 DCS Reconfiguration

### 2.6.1 Challenges of DCS Reconfiguration Use Cases

The challenge these use cases bring is the influence of reconfiguration on the existing communication: all has to happen without disturbances to the production!

We consider important the use case that we can connect any number of new devices wherever in the system and they get connectivity over the existing (TSN) infrastructure without a change to the operational mode of the system.

### 2.6.2 Use case 26: DCS Device level reconfiguration

- SW modifications to a device
  - A change to the device's SW/SW application shall happen, which does not require changes to the SW/SW application running on other devices (incl. firmware update): *add examples*
- Device Exchange/Replacement
  - The process device is replaced by another unit for maintenance reason, e.g. for off-process calibration or because of the device being defective (note: a “defective device may still be fully and properly engaged in the network and the communication, e.g. if just the sensor is not working properly anymore):
  - Use case: repair
- Add/remove additional device(s)
  - A new device is brought to an existing system or functionality, which shall be used in the application, is added to a running device, e.g. by enabling a SW function or plugging in a new HW-module. Even though the scope of change is not limited to a single device because also the other device engaged in the same application

- For process devices, servers: BIOS, OS and applications updates, new VMs, workstations
- Use cases: replacement with upgrade/downgrade of an existing device, simply adding new devices, removal of device, adding connections between devices
- Influencing factors relative to communication
  - Communication requirements of newly added devices (in case of adding)
  - Existing QoS parameters (i.e. protocol-specific parameters like TimeOuts or Retries)
  - Device Redundancy
  - Network/Media Redundancy
  - Virtualization
  - For servers: in-premise or cloud
  - Clock types in the involved process devices
  - Clock domains
  - Cycle time(s) needed by new devices
  - Available bandwidth
  - Existing security policies

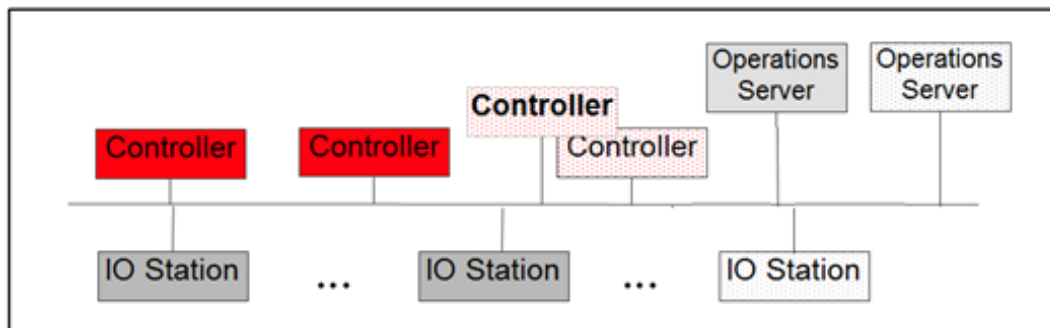


Figure 53 – Device level reconfiguration use cases

### 2.6.3 Use case 27: DSC System level reconfiguration

- Extend an existing plant
  - Add new network segment to existing network
    - Existing non-TSN / Newly added is TSN
    - Existing TSN / Newly added is TSN
- Update the system security policy
  - [New key lengths, new security zones, new security policy]
  - To be defined how and by whom to be handled
- Influencing factors
  - Same as for “device-level”

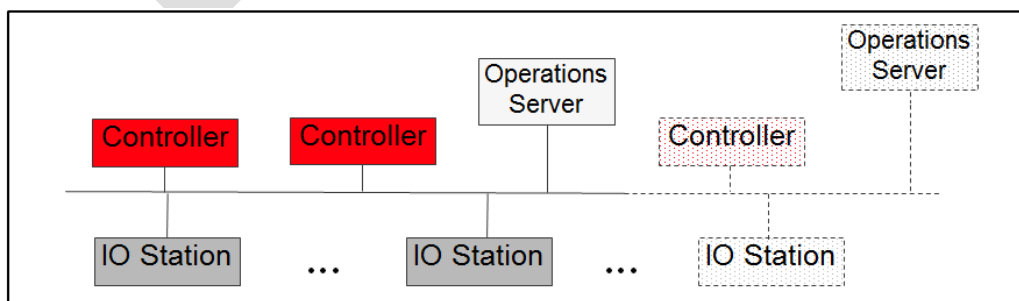


Figure 54 – System level reconfiguration use cases



## 2.7 Further Industrial Automation Use Cases

### 2.7.1 Use case 28: Network monitoring and diagnostics

Diagnostics plays an important role in the management of systems and of devices. Generally speaking the mechanisms used in this context are acyclic or having large cycle times so that they could perhaps be considered, from a networking perspective as sporadic. Most of the use cases related to diagnostics will be included in this category.

- Quick identification of error locations is important to minimize downtimes in production.
- Monitoring network performance is a means to anticipate problems so that arrangements can be planned and put into practice even before errors and downtimes occur.
- Identification of devices on an industrial Ethernet network must be done in a common, interoperable manner for interoperability on a converged TSN network. This identification both needs to show the type of device, and the topology of the network. IEEE 802.1AB, the Link Layer Discovery Protocol (LLDP), provides one possible mechanism for this to be done at layer two, but provides a large degree of variability in implementation.

#### Requirement:

Minimize downtime

TSN specific monitoring and diagnostics data shall be provided, e.g. established streams, failed streams, stream classes, bandwidth consumption, ...

A discovery protocol such as IEEE 802.1AB shall be leveraged to meet the needs of industrial TSN.

#### Useful 802.1 (ietf) mechanisms:

- MIBs (SNMP)
- YANG (NETCONF/RESTCONF)

### 2.7.2 Use case 29: Security

Industrial automation equipment can become the objective of sabotage or spying.

Therefore all aspects of information security can be found in industrial automation as well:

- Confidentiality "is the property, that information is not made available or disclosed to unauthorized individuals, entities, or processes."
- Integrity means maintaining and assuring the accuracy and completeness of data.
- Availability implies that all resources and functional units are available and functioning correctly when they are needed. Availability includes protection against denial-of-service attacks.
- Authenticity aims at the verifiability and reliability of data sources and sinks.

#### Requirement:

Optional support of confidentiality, integrity, availability and authenticity.

Security shall not limit real-time communication

Protection against rogue applications running on authenticated stations are out of scope.

Useful mechanisms:

- 802.1X
- IEC62443
- ...

**2.7.3 Use case 30: Firmware update**

Firmware update is done during normal operation to make sure that the machine e.g. with 1000 devices is able to be updated with almost no down time.

With bump: separate loading (space for 2 FW versions required) and coordinated activation to minimize downtime

Bumpless: redundant stations with bumpless switchover – the single device may lose connection (bump)

Requirement:

Stations shall be capable to accept and store an additional fw version without disturbance.

Useful 802.1 mechanisms:

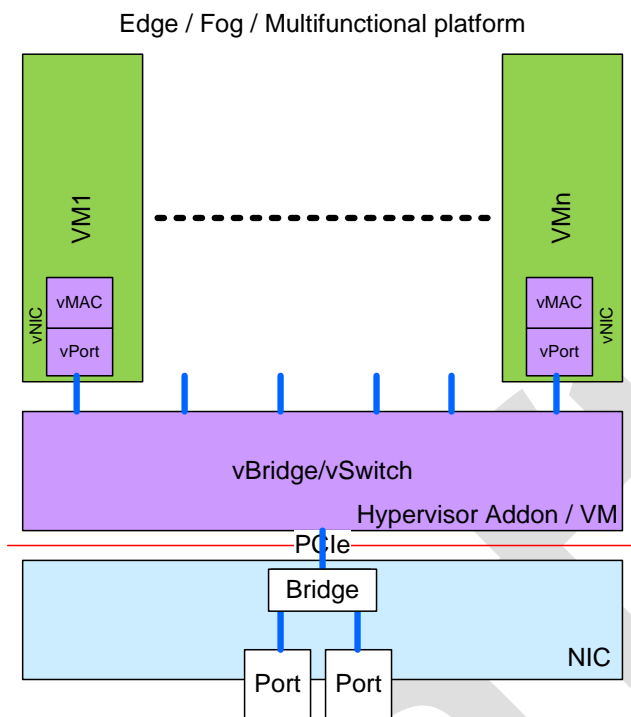
- ...

**2.7.4 Use case 31: Virtualization**

Workload consolidation is done by virtualizing the hardware interfaces. Even in such kind of environment TSN shall be working.

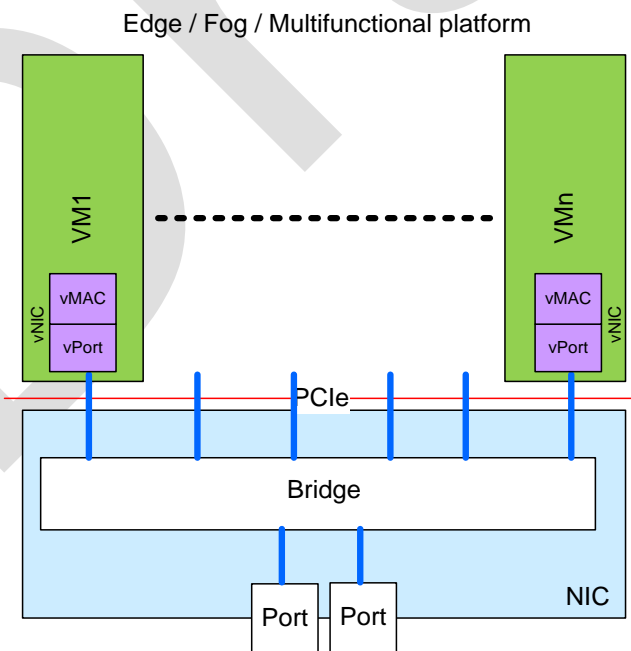
**vSwitch / vBridge**

Figure 55 and Figure 56 show the two principle setups for an Ethernet communication concept allowing both, communication VM to Ethernet and VM to VM. The applications inside the VM shall not see, whether they communicate to another VM or an Ethernet node.



**Figure 55 – Ethernet interconnect with VM based vBridge**

Figure 55 scales for an almost infinite amount of VMs, because the memory bandwidth and the compute power of the vMAC/vPort and vSwitch/vBridge VM are much higher than the PCIe bandwidth to the NIC.



**Figure 56 – Ethernet interconnect with PCIe connected Bridge**

Figure 56 fits for a limited amount of VMs, because it saves the additional vSwitch/vBridge VM. For a given amount of VMs, e.g. Gen3 x4 or Gen4 x4, seems to be sufficient.

Requirement:

Should work like use case “multiple applications”

Useful 802.1 mechanisms:

- ...

### 2.7.5 Use case 32: Digital twin

Virtual pre-commissioning of machines can save a lot of time and money.

Up to 30 % time-saving in the development of new machines are foreseen by an increased engineering efficiency due to the implementation and usage of digital twins.

Faster development, delivery and commissioning of new machines at customer locations should be possible.

A digital twin shows the real machine in as much detail as possible and allows simulation of its operation. With the help of digital twins machines can gradually and virtually be developed – in parallel to the real production and commissioning process of the machines at customer locations.

Requirement:

Reliable planning, development, testing, simulation and optimization results shall be possible

Useful 802.1 mechanisms:

- ...

## 3 Literature

[1] “Cyber Physical Systems: Design Challenges”, E. A. Lee, Technical Report No. UCB/EECS-2008-8; <http://www.eecs.berkeley.edu/Pubs/TechRpts/2008/EECS-2008-8.html>

[2] Beckers, K. (2015). Pattern and Security Requirements: Engineering-Based Establishment of Security Standards; Springer; ISBN 9783319166643