

P802.1CB Progress Report

Norman Finn
Cisco Systems

May 22, 2015



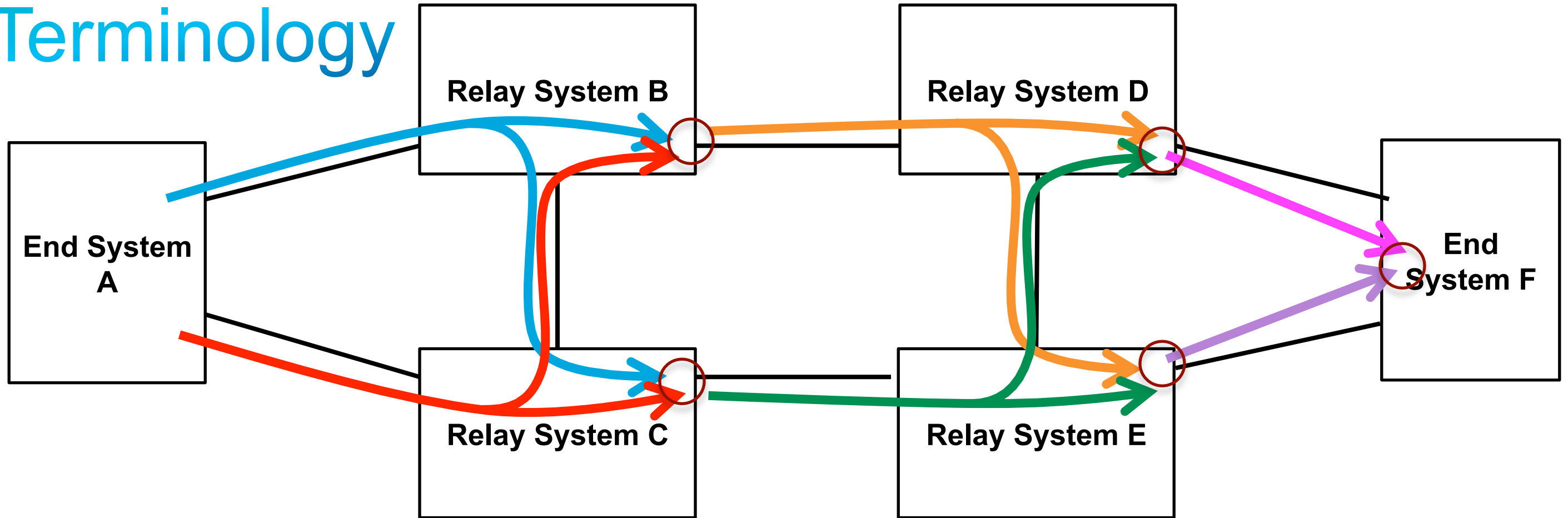
Terminology



Terminology proposal (resolution for #133)

- At present, an "AVB Stream" is not a "CB Stream" because a CB Stream encompasses both paths, while an AVB Stream is a reservation, so could be, at most, one of those paths.
- **Stream** == CB Stream == AVB Stream == TSN Stream == A **sequence of packets** from 1 source to $N \geq 1$ destinations, carried over one circuit. (802.1Q Stream == a "flow of data". Is this the same thing?)
- **Circuit** == A **path through a network** connecting 1 source to $N \geq 1$ destinations carrying zero or more Streams. In P802.1CB, the envisioned sources and destinations are either a) 1 Talker and $N \geq 1$ Listeners, or b) 1 sequence generation function and $N \geq 1$ sequence recovery functions.
- **Seamless Stream** == A **sequence of sequence-numbered packets** from 1 sequence generation function to $N \geq 1$ terminal sequence recovery functions.
- **Seamless Circuit Set** == A **set of Circuits** from 1 sequence generation function, via zero or more intermediate sequence recovery functions, to $N \geq 1$ terminal sequence recovery functions, providing increased reliability for zero or more Seamless Streams.

Terminology



- Each colored arrow tree is a **Stream** carried over a **Circuit**.
- The union of arrow trees are a **Seamless Stream**.
- The trees plus the, sequence generator(not shown) and sequence recovery functions (circles) are a **Seamless Circuit Set**.

Progress



How to get Working Group ballot after July

- 1. Contribution(s) required: Proposal for a device-level YANG model** for P802.1CB. Editor proposes that this be based on D1.1 managed objects, and that the YANG model will replace the managed object clause in D2.0 (first WG Draft).
 - 2. Contribution(s) required: Proposal for an sequence recovery algorithm.** The biggest, though not the only, problem with the algorithm that will be in the next draft (D1.1) is that we must choose between not handling some quite relevant error cases, and not handling the reset of a sequence generator. See [new-tsn-specht-cb-failure-modes-0521-v0](#).
 - 3. We need solid baseline text.** Editor believes that D1.1, the output from this meeting, will fulfill that need.
- We do not need text; the editor can provide that. We need answers.**

Thank you.

