



ERICSSON

BRIDGE COMPONENTS

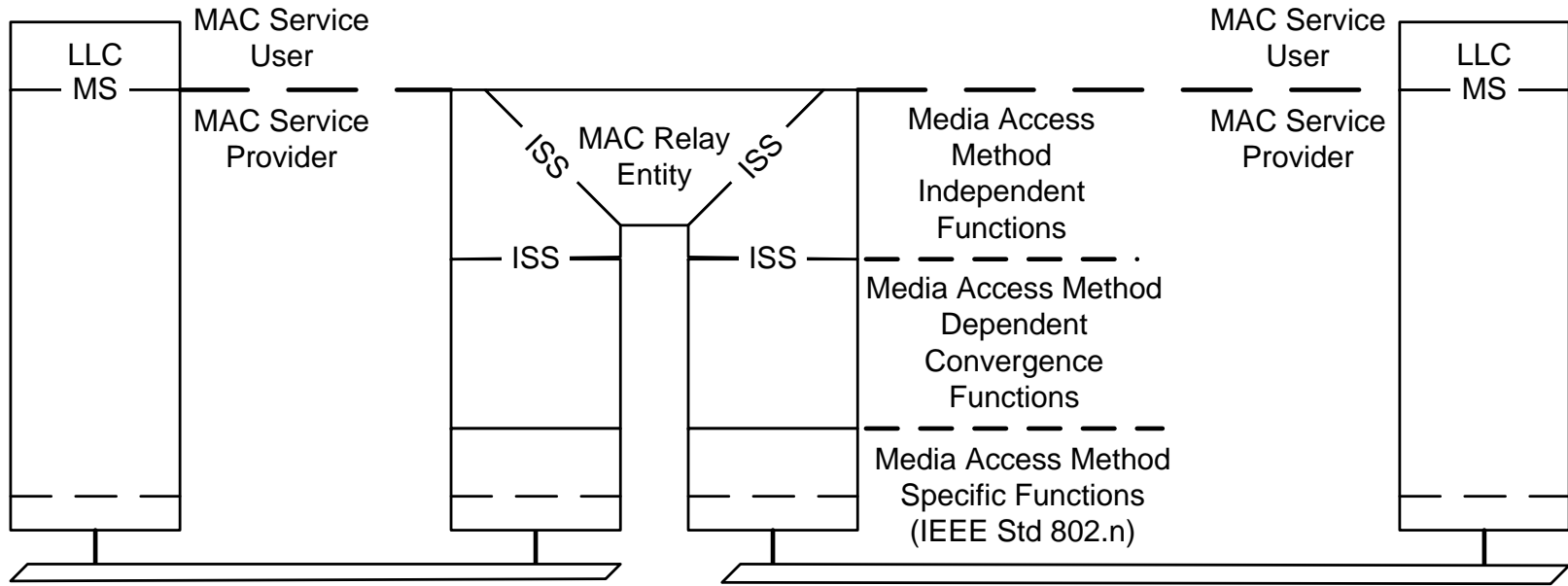
Panagiotis Saltsidis

INTRODUCTION

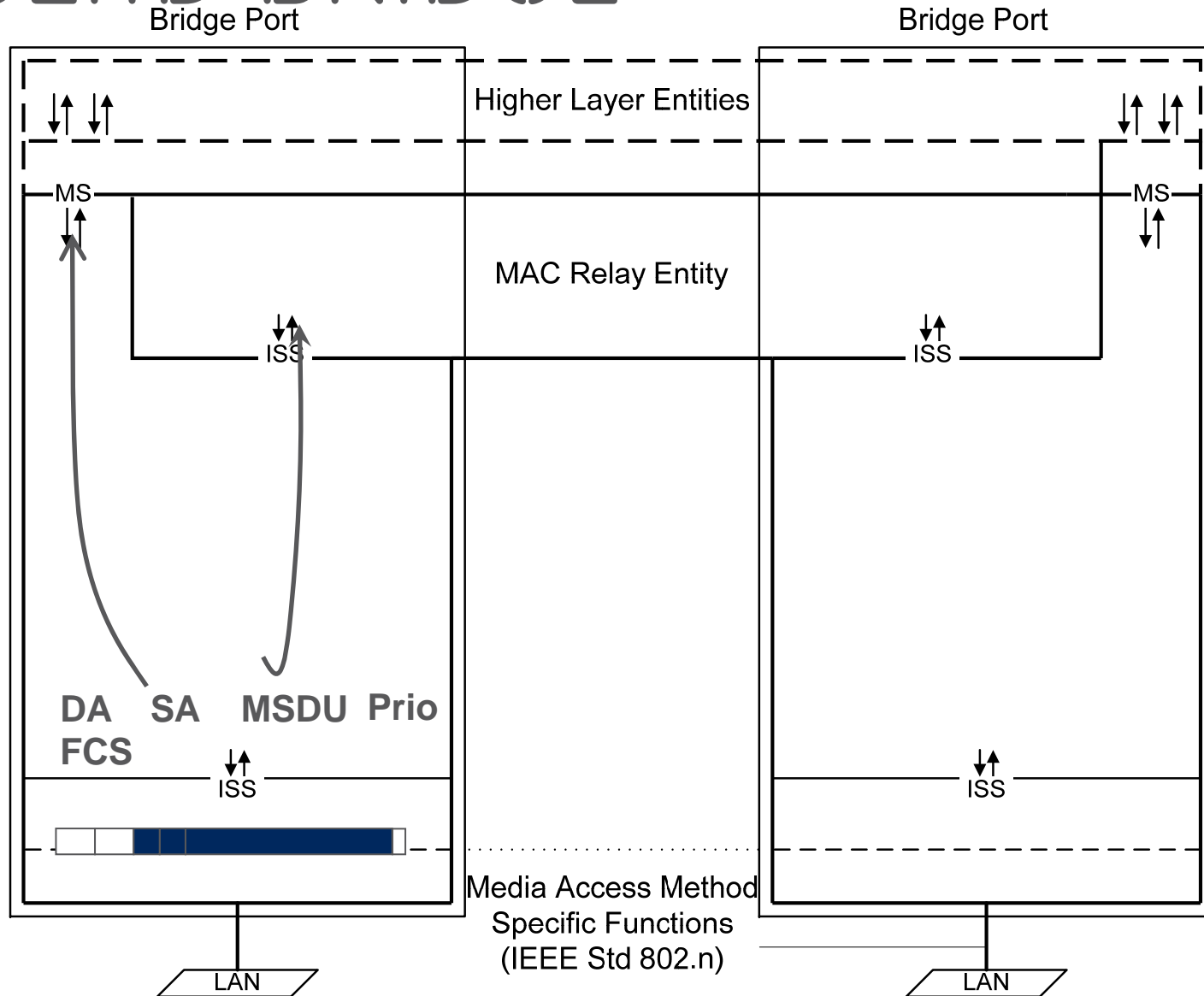


- › A Bridge is “by definition” what the associated standard defines it to be and accordingly the specification text has the absolute authority in the classification of the various variant systems.
- › Nevertheless such classification needs to follow specific and consistent taxonomy rules in order to avoid proliferation of specified systems and to enable a consistent categorization of new systems.
- › Since support for various control and management protocols play very limited role on the current taxonomy of Bridge “species” this presentation will be focusing on the data plane supportive functions of each specified system in order to classify systems that need to satisfy ECMP requirements.

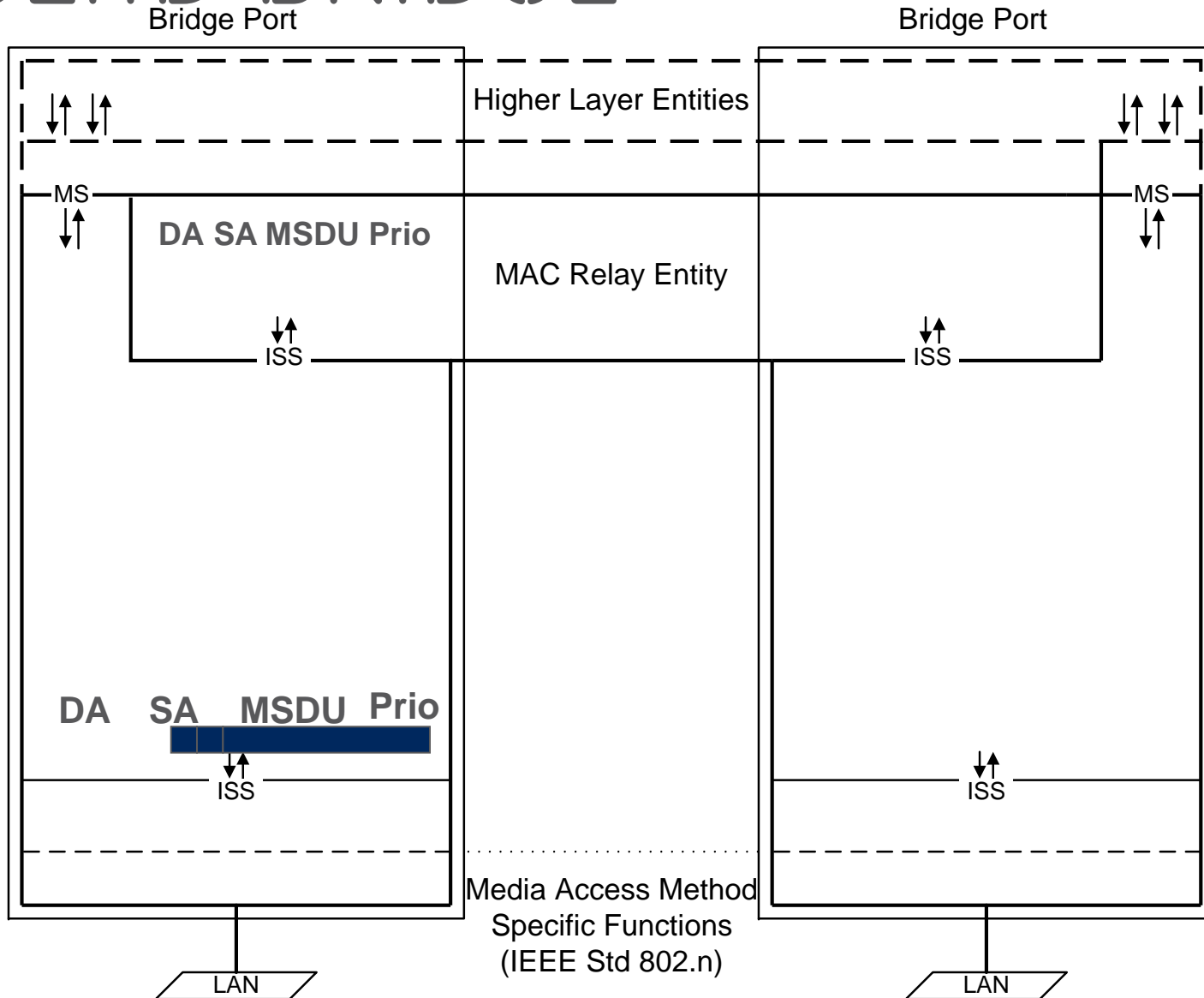
MAC SERVICE



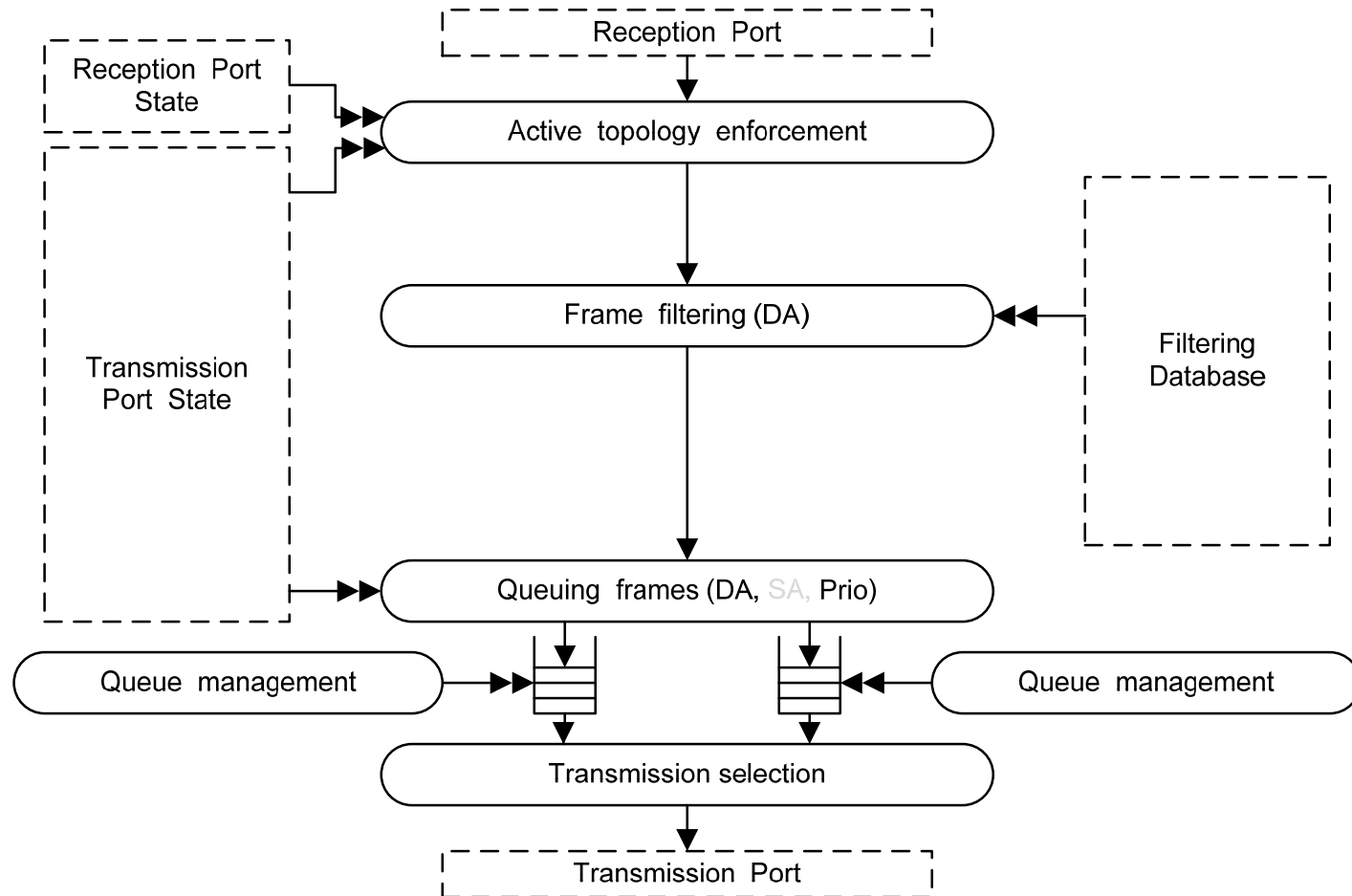
802.1D BRIDGE



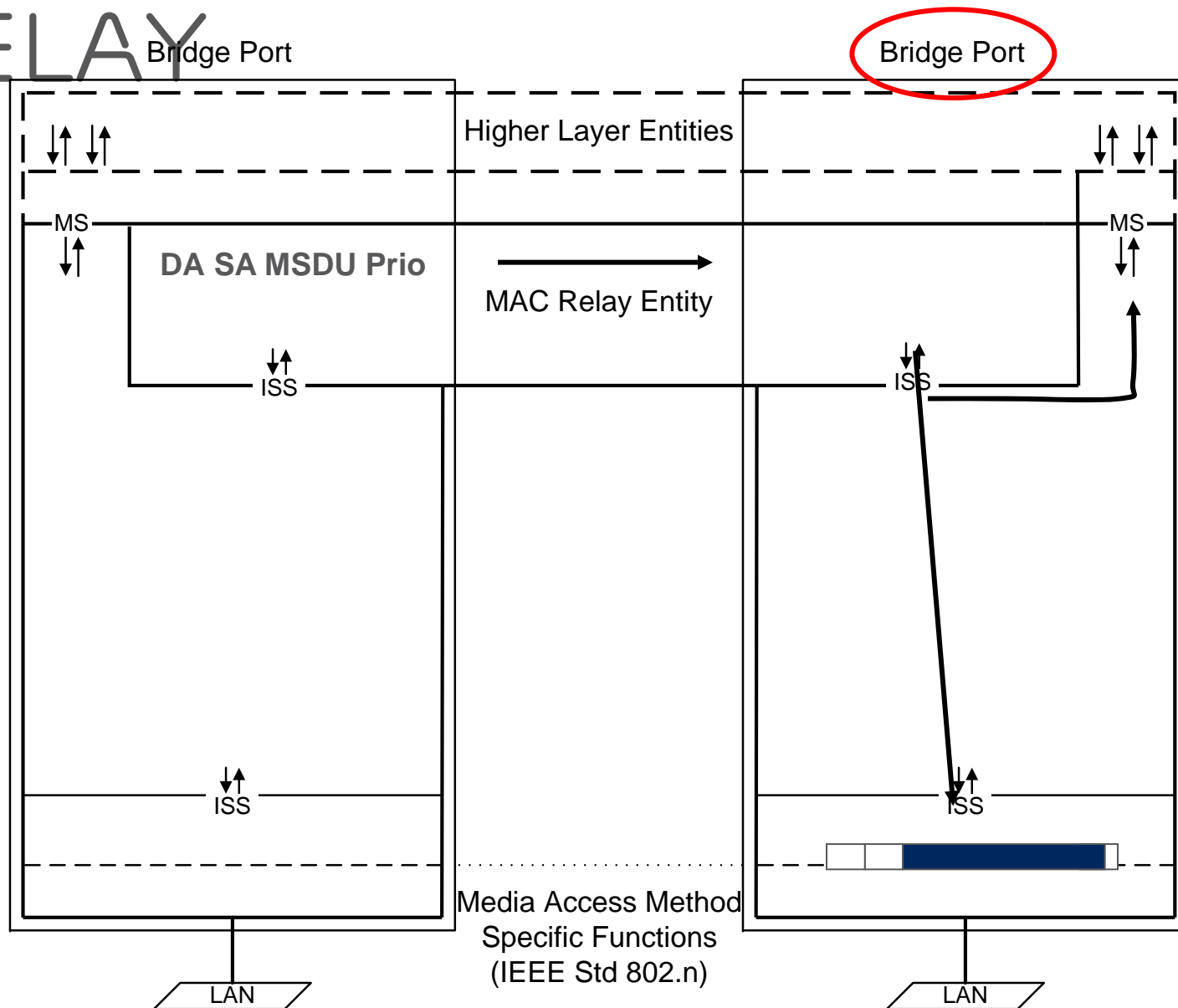
802.1D BRIDGE



FORWARDING PROCESS



ENTERING THE MAC RELAY

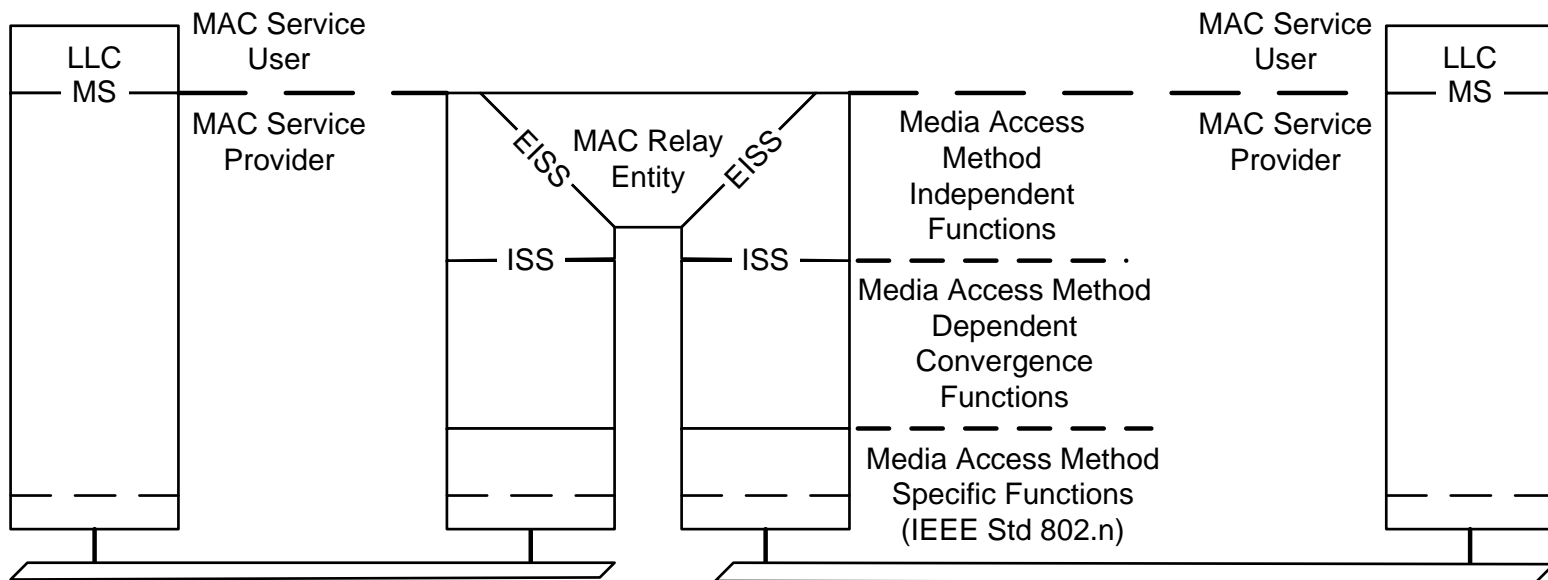


ENTER VLANS... 802.1Q

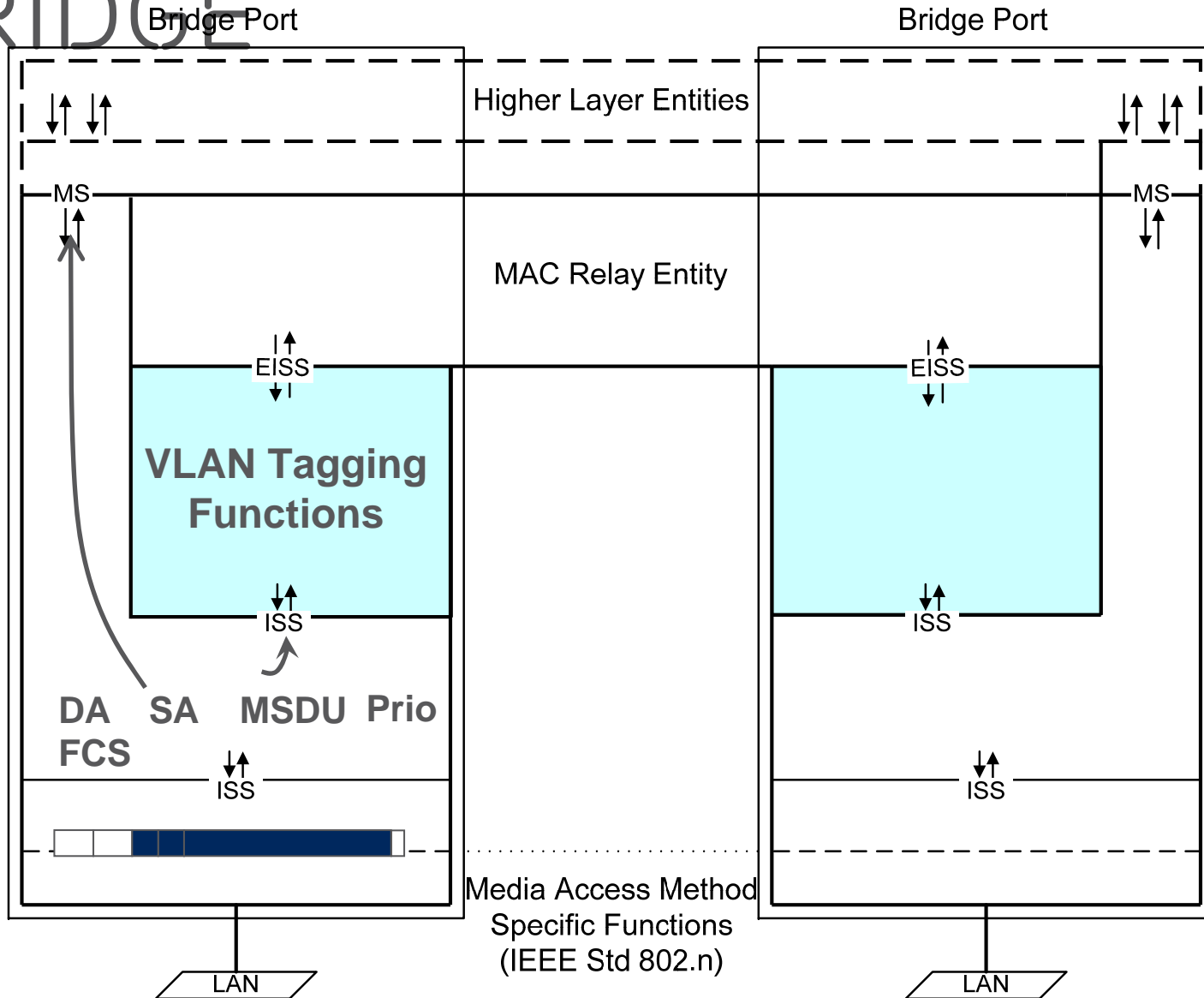


- › VLANs allow different communities to share a physical Local Area Network infrastructure.
 - Provide connectivity within a community but isolation between communities.
 - Each packet carries a VLAN tag that identifies the community to which it belongs.

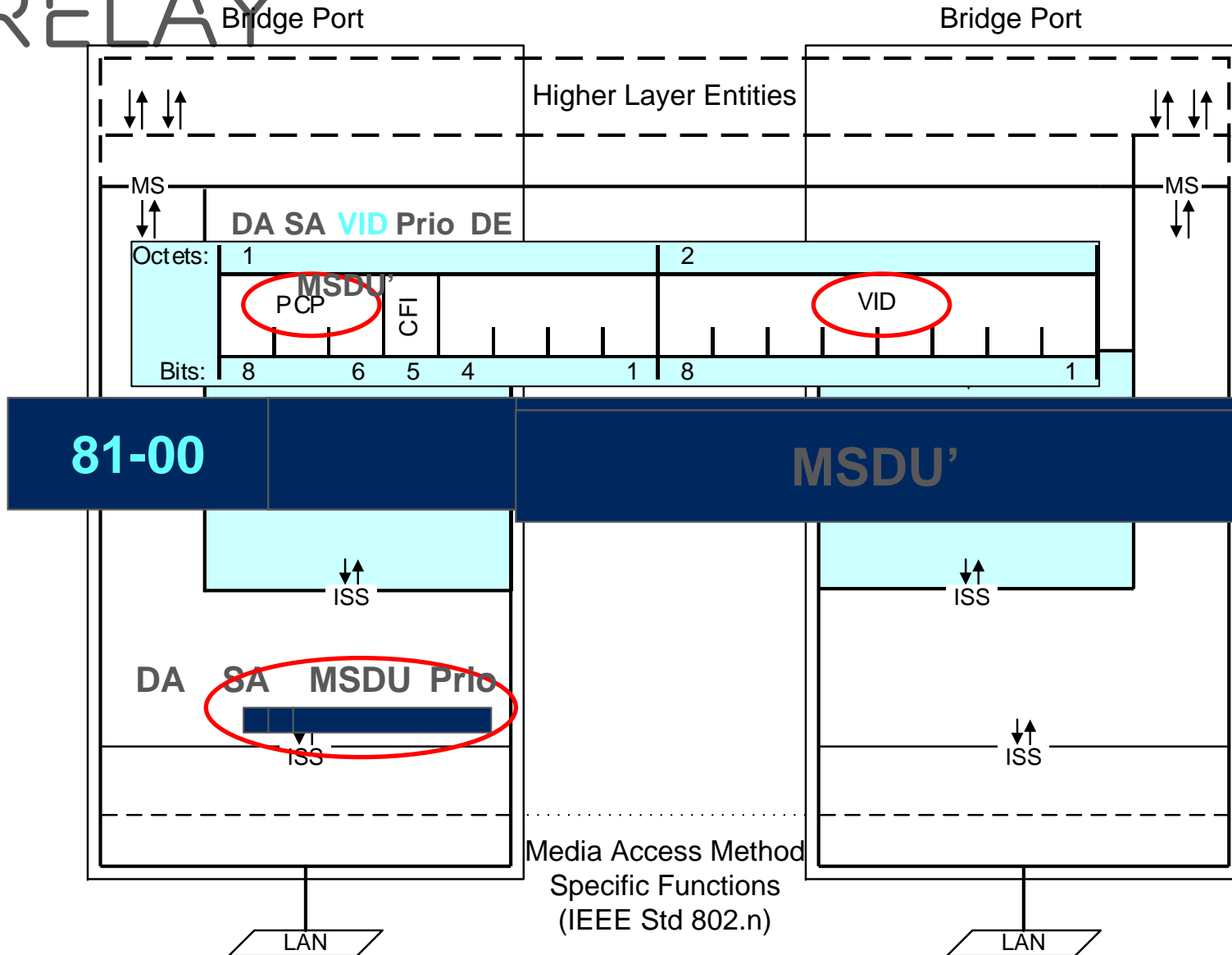
MAC SERVICE



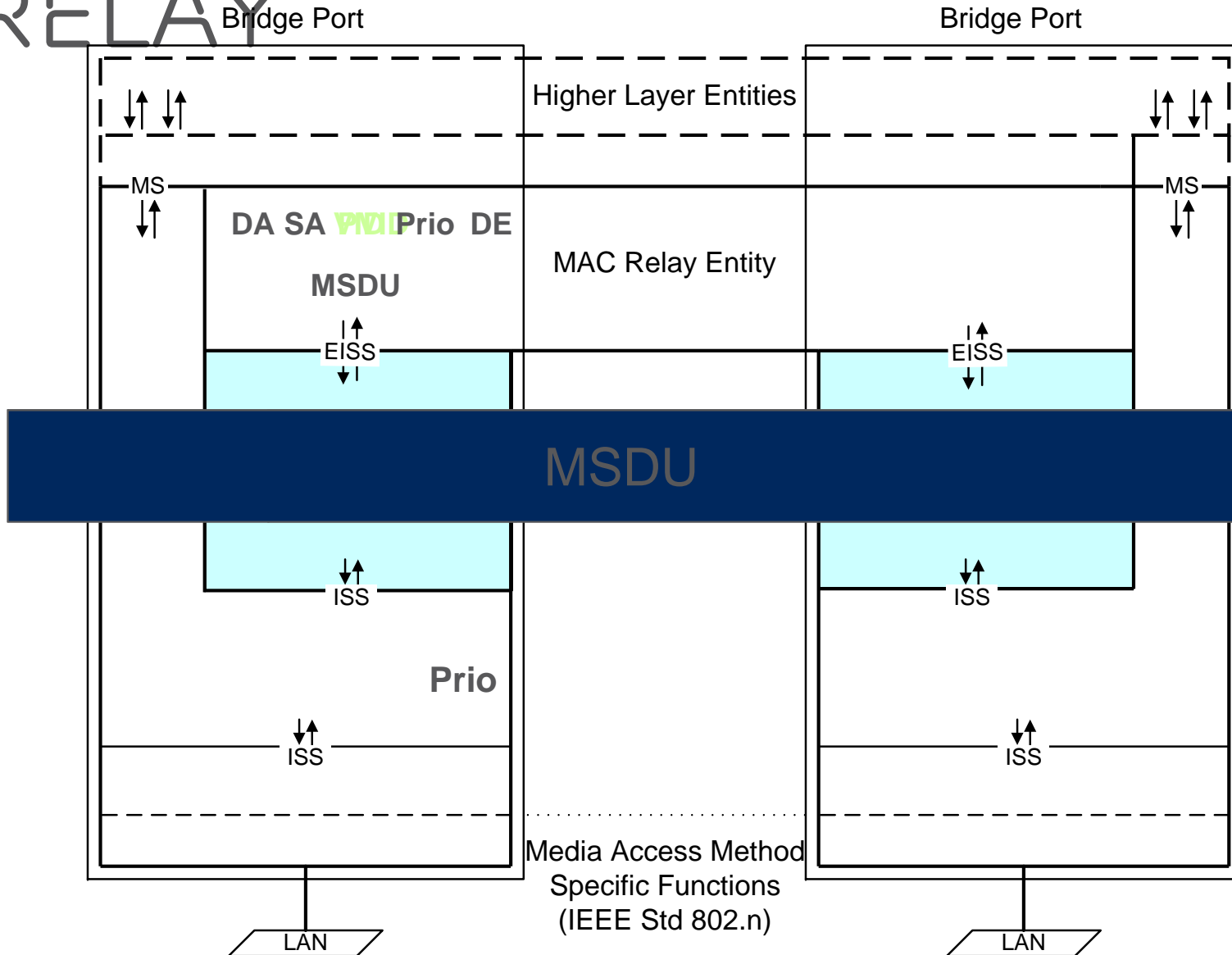
802.1Q BRIDGE - VLAN BRIDGE



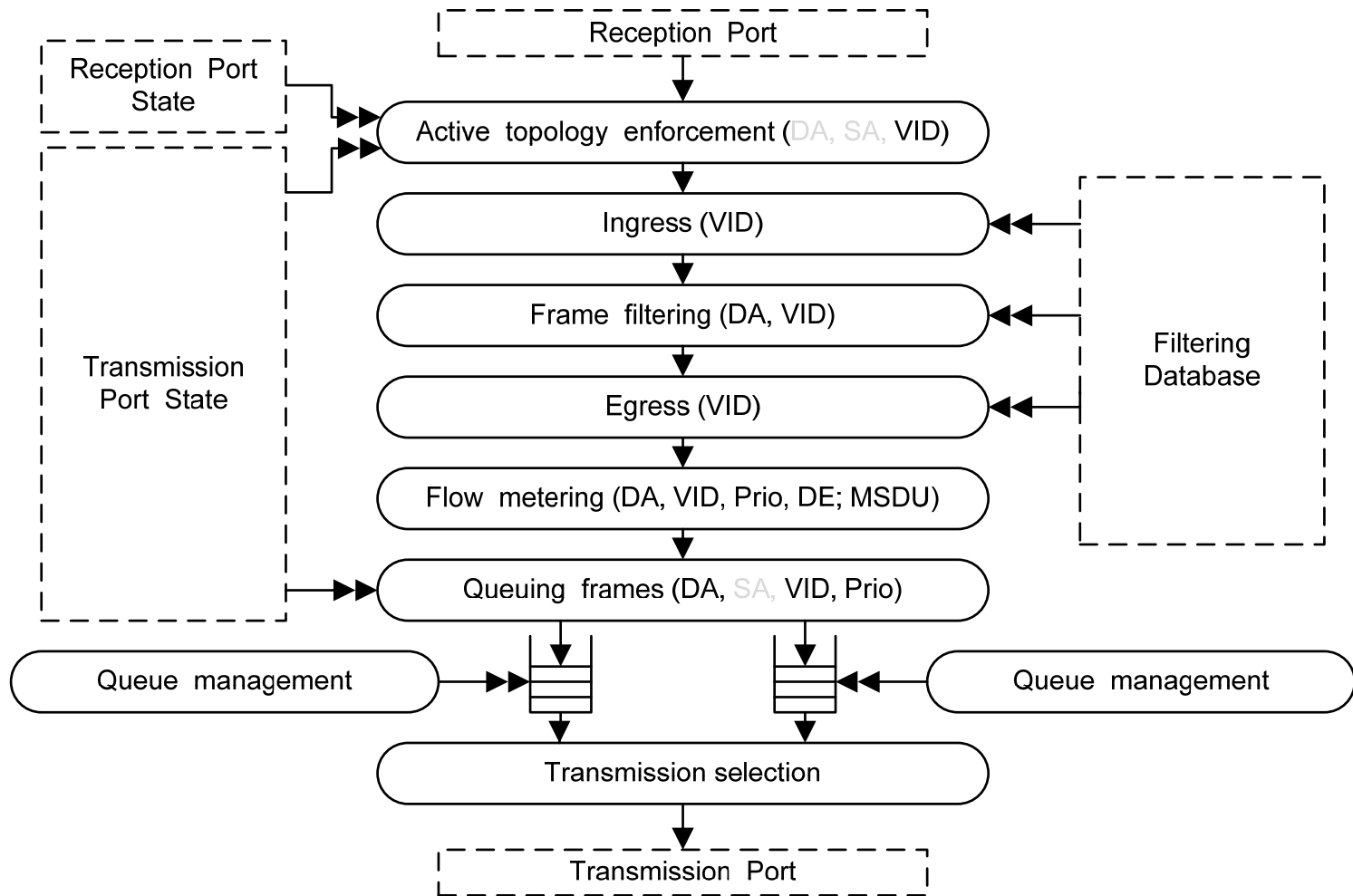
ENTERING THE MAC RELAY



ENTERING THE MAC RELAY



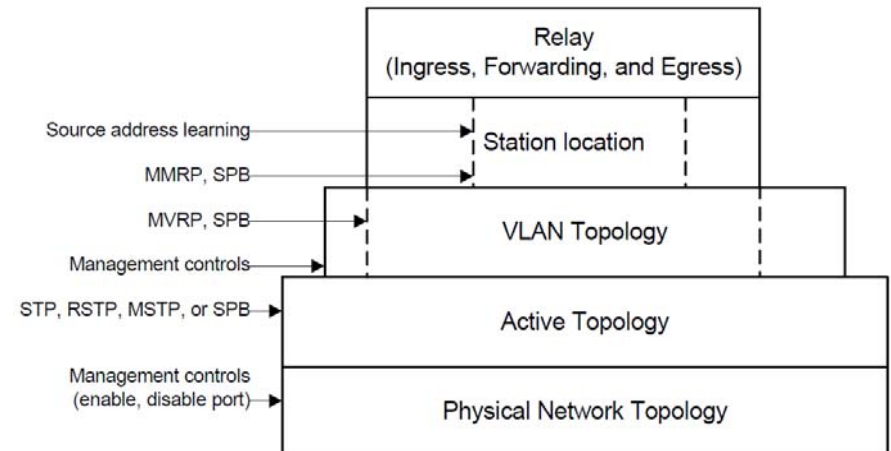
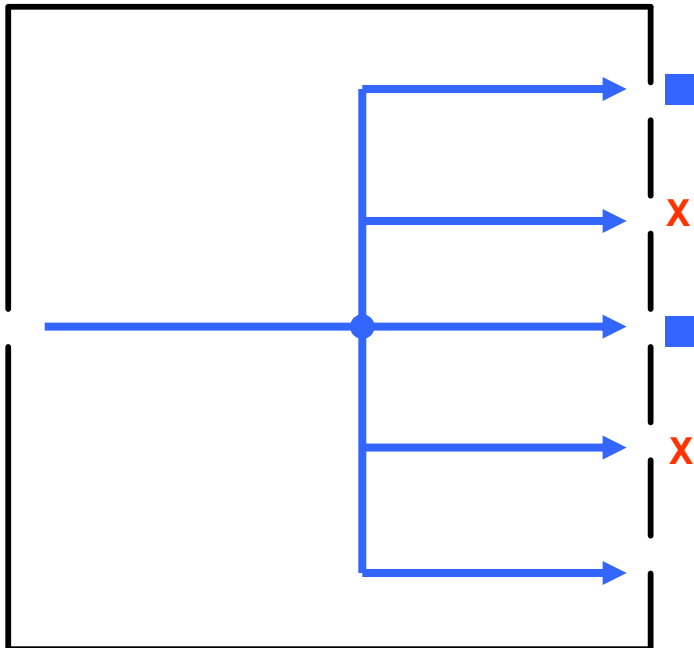
FORWARDING PROCESS



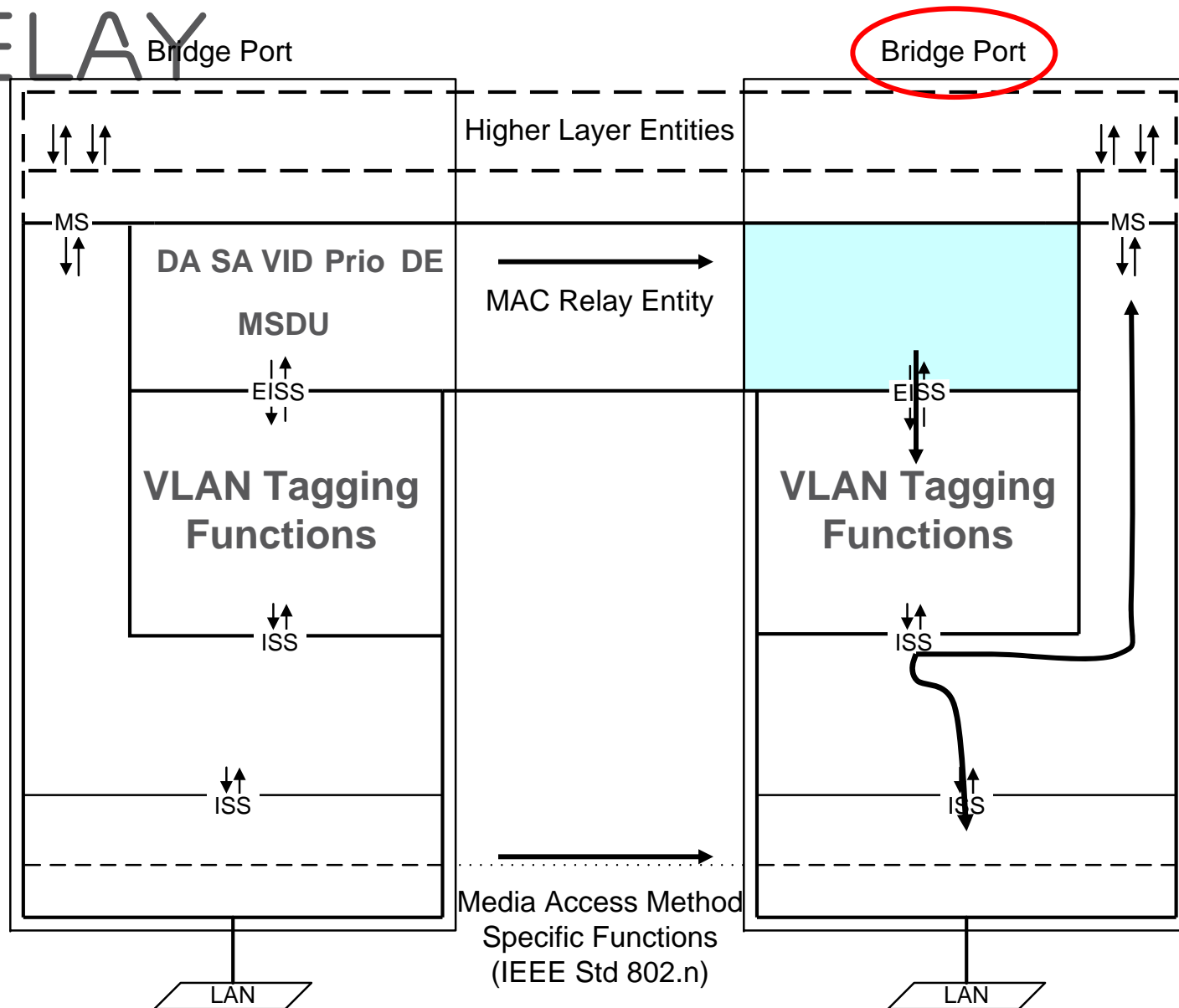
FORWARDING DECISIONS



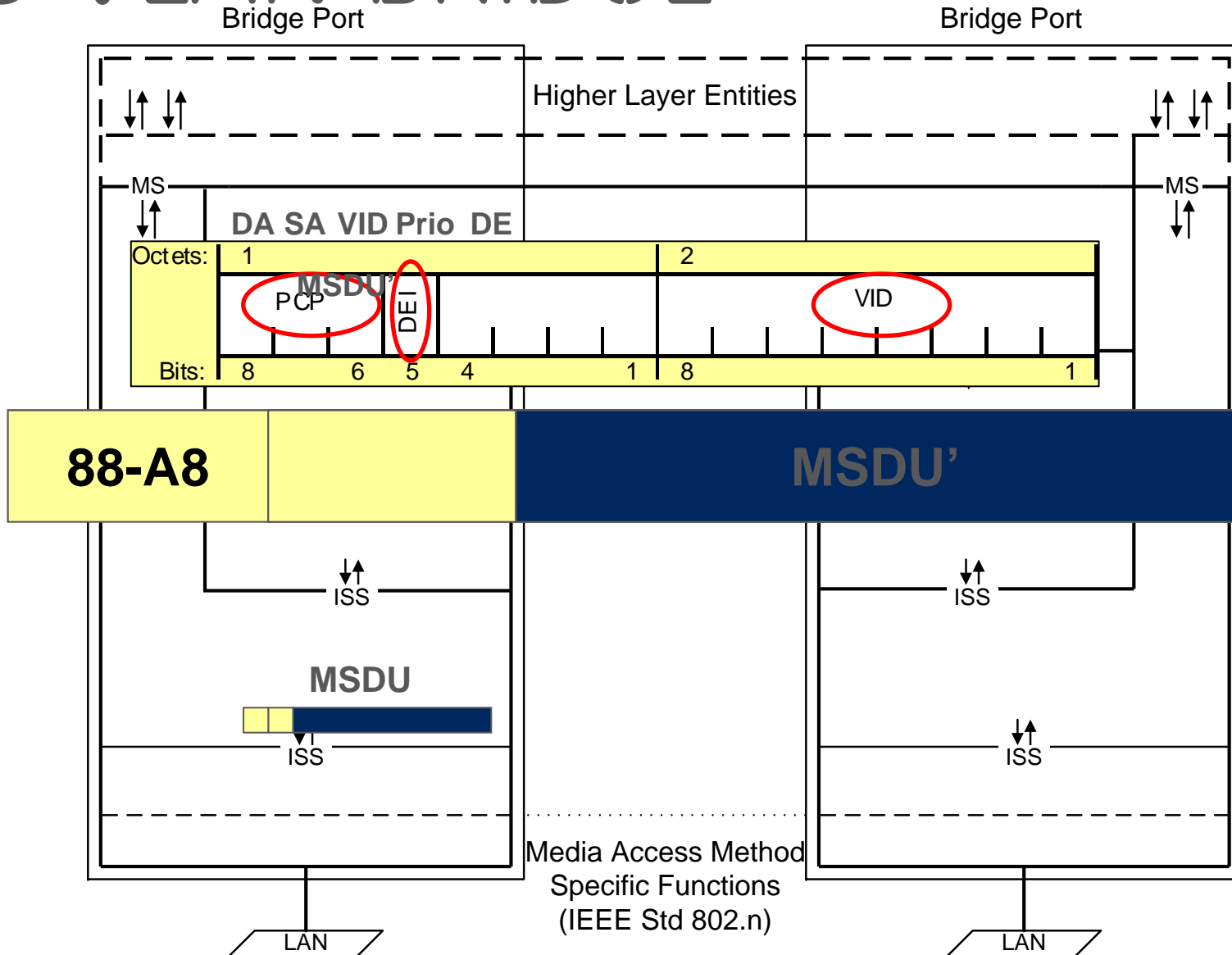
VLAN Filtering



ENTERING THE MAC RELAY



S-VLAN BRIDGE



BACKBONE EDGE COMPONENTS



› I-component:

- Relay forwards/filters/learns customer addresses with S-VLAN identifiers.
 - › Associations between customer addresses and backbone addresses stored in learned database.
- Is an S-VLAN component with I-tagging functions in interface stack connecting to the Backbone Network (PIP)
 - › I-tag includes 24 bit service instance identifier and encapsulated customer addresses.
 - › MAC header containing backbone addresses added when I-tag is created.

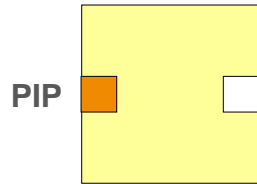
› B-component:

- Relay forwards/filters/learns backbone addresses with B-VLAN identifiers
- Is an S-VLAN component with I-tag specific functions in interface stack at edge of Backbone Network (CBP)

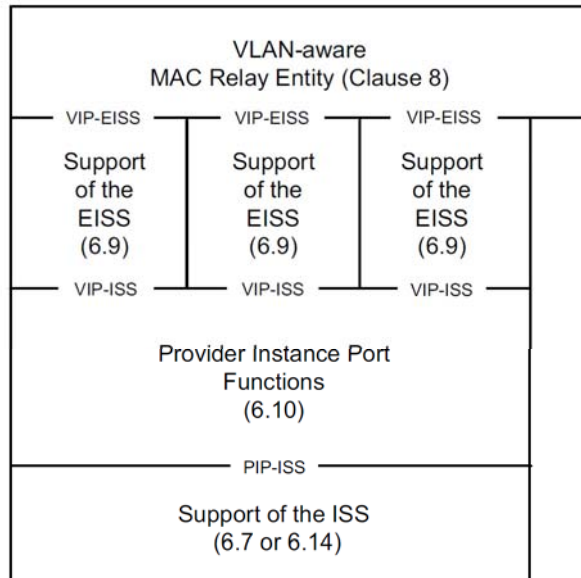
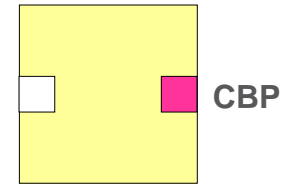
BACKBONE EDGE BRIDGE MODEL



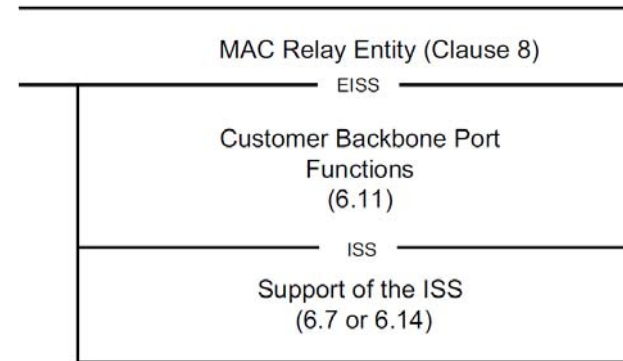
I-component
I-BEB



B-component
B-BEB



I-component



B-component

TPMR, T-COMPONENT



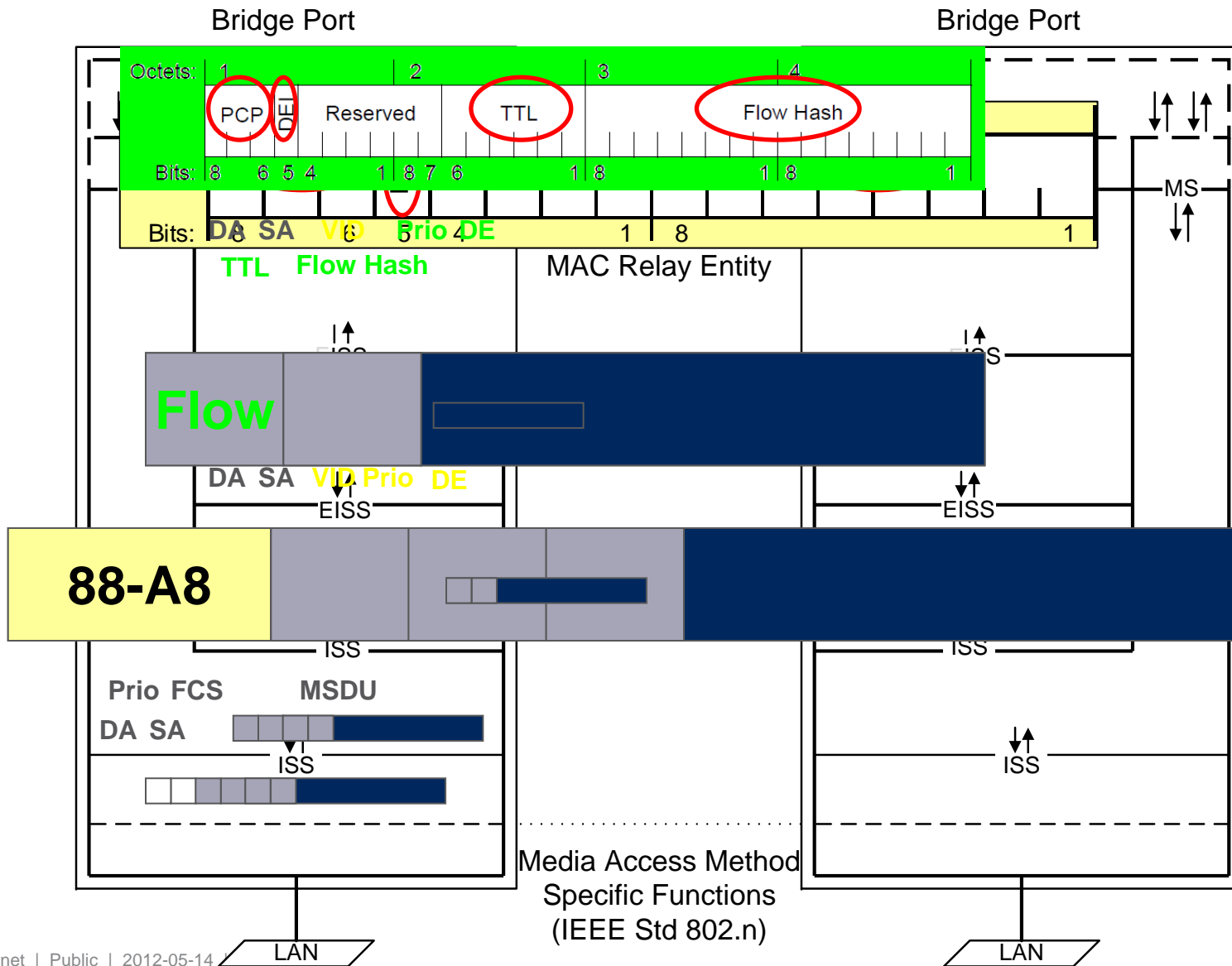
- › A TPMR component is a VLAN-unaware Bridge component with exactly two Bridge Ports other than a Management Port.
 - Supports only a subset of the functions of the Forwarding Process:
 - › Frame filtering
 - › Queuing frames
 - › Transmission selection
- › A T-component is a TPMR with having a PIP with a single VIP (Virtual Instance Port) as one of its externally accessible ports

COMPONENT RESERVED ADDRESSES

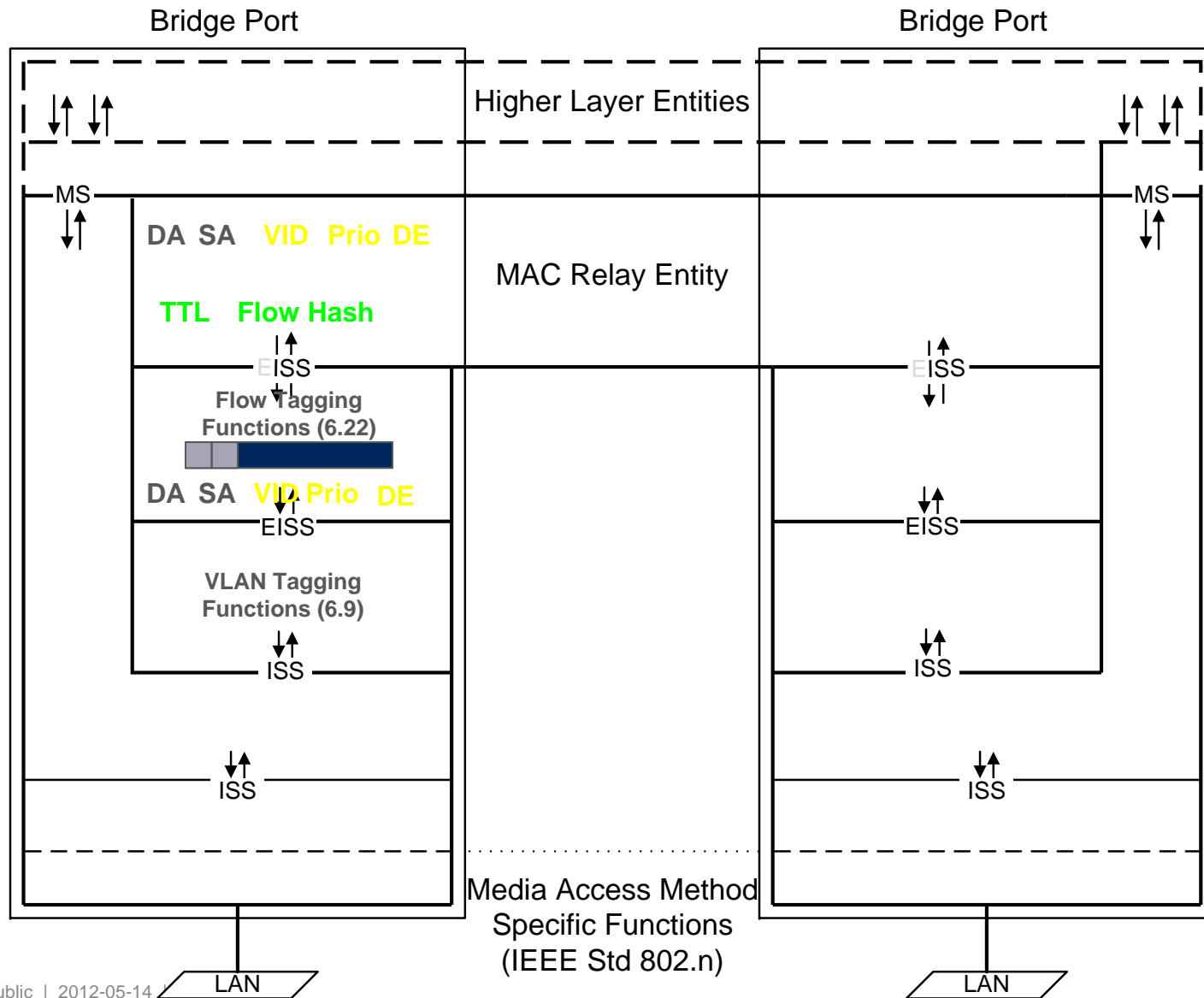


Assignment	Value
Bridge Group Address, Nearest Customer Bridge group address	01-80-C2-00-00-00
IEEE MAC-specific Control Protocols group address	01-80-C2-00-00-01
IEEE 802.3 Slow_Protocols_Multicast address	01-80-C2-00-00-02
Nearest non-TPMR Bridge group address	01-80-C2-00-00-03
IEEE MAC-specific Control Protocols group address	01-80-C2-00-00-04
Reserved for future standardization	01-80-C2-00-00-05
Reserved for future standardization	01-80-C2-00-00-06
Metro Ethernet Forum ELMI protocol group address	01-80-C2-00-00-07
Provider Bridge Group Address	01-80-C2-00-00-08
Reserved for future standardization	01-80-C2-00-00-09
Reserved for future standardization	01-80-C2-00-00-0A
Reserved for future standardization	01-80-C2-00-00-0B
Reserved for future standardization	01-80-C2-00-00-0C
Provider Bridge MVRP Address	01-80-C2-00-00-0D
Individual LAN Scope group address, Nearest Bridge group address	01-80-C2-00-00-0E
Reserved for future standardization	01-80-C2-00-00-0F

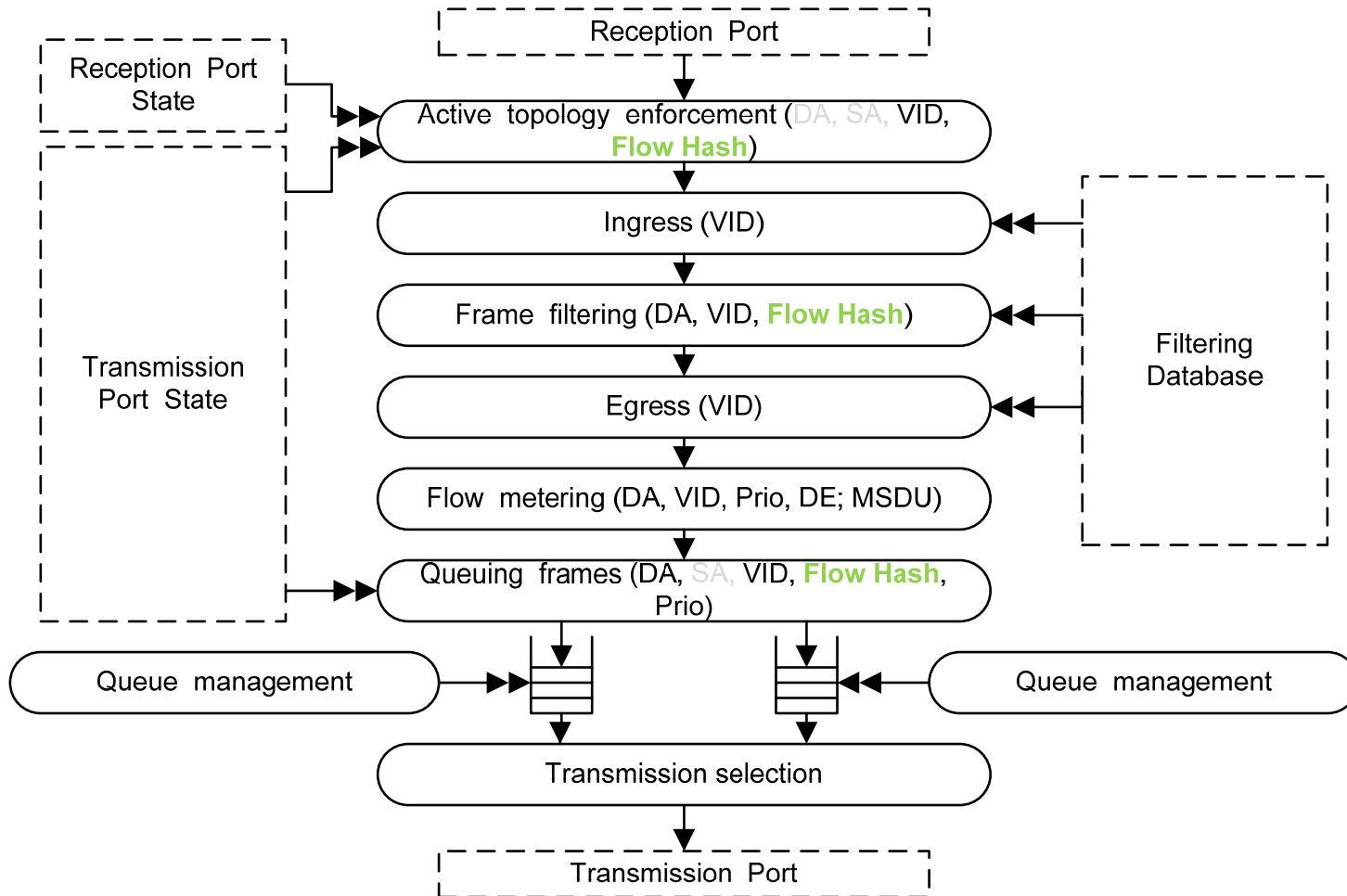
NEW BRIDGE (ECMP)



NEW BRIDGE (ECMP)



FORWARDING PROCESS



SUMMARY



Bridge type	Service parameters supporting MAC Relay	Support for tagging functions	Permanent filtering FDB entries	Specification
VLAN-unaware Bridge component	DA, SA, Priority	None	C-VLAN component Reserved	IEEE Std 802.1D-2004
TPMR component	DA, SA, Priority	None	TPMR component Reserved	IEEE Std 802.1D 2004, IEEE Std 802.1Q-2011, TPMR
T-Component	DA, SA, Priority	I-TAG	TPMR component Reserved	IEEE Std 802.1D 2004, IEEE Std 802.1Q-2011, T-Component
C-Component	DA, SA, Priority, VID, DE	C-VLAN Tag	C-VLAN component Reserved	IEEE Std 802.1Q-2011, C-Component
S-Component	DA, SA, Priority, VID, DE	S-VLAN Tag	S-VLAN component Reserved	IEEE Std 802.1Q-2011, S-Component
I-Component	DA, SA, Priority, VID, DE	S-VLAN Tag, I-TAG	S-VLAN component Reserved	IEEE Std 802.1Q-2011, I-Component
B-Component	DA, SA, Priority, VID, DE	S-VLAN Tag, I-TAG	S-VLAN component Reserved	IEEE Std 802.1Q-2011, B-Component
ECMP requirements	DA, SA, Priority, VID, DE, TTL, Flow Hash	S-VLAN Tag, F-TAG		

CONCLUSIONS



- › As currently described, ECMP support would require fundamental changes to the forwarding capabilities of the current 802.1Q compliant systems as it introduces flow based forwarding on top of the current VLAN based forwarding.
- › The implications of this type of change are exactly the same to the ones associated with the introduction of VLAN based forwarding on 802.1D bridges.



ERICSSON