

802.1aj Two-Port MAC Relay Editor's report

ADVANCE

John Messenger, November 2008

v01

Ballotting

- ▶ PAR granted December 2004
 - ▶ Initial draft 0.0 May 2005
 - ▶ Draft 1.0 July 2005
 - ▶ Draft 1.1 August 2005
 - ▶ Draft 1.2 November 2005
 - ▶ Draft 1.3 May 2006
 - ▶ Draft 1.4 June 2006
 - ▶ Draft 2.0 January 2007
 - ▶ Draft 2.1 May 2007
 - ▶ Draft 2.2 October 2007 (Working group ballot)
 - ▶ Draft 3.1 September 2007 (WG recirculation ballot)

- ▶ 802.1aj Draft 3.1 issued September 2008
 - ▶ All D2.2 comments addressed.



D3.1 WG recirculation ballot results

- ▶ Ballot pool comprised those eligible to vote on D2.2
 - ▶ Results include D2.2 votes and D3.1 changes
- ▶ 44 responses received on the D3.1 recirculation ballot
- ▶ 91 Voters – of which 77 have responded
 - ▶ 23 Approve 67.6%
 - ▶ 11 Disapprove 32.4%
 - ▶ 43 Abstain 56%
- ▶ Disapprove voter breakdown:
 - ▶ 5 have submitted new comments
 - ▶ 5 have not responded despite reminders
 - ▶ Paul Congdon, John Messenger, Ananda Rajagopal, Oliver Thorpe, Maarten Vissers
 - ▶ 1 is deceased



Commenting statistics

- ▶ 122 Comments
 - ▶ 39 TR
 - ▶ 8 T
 - ▶ 56 ER
 - ▶ 17 E
 - ▶ 2 G



Main ballot comment items

- ▶ Management using SNMP-over-Ethernet
- ▶ What's in a TPMR versus a TPMR component?
- ▶ CFM: level 0 MIP
- ▶ EISS, ISS and multiple traffic classes
- ▶ T-component in PIP: architecture
- ▶ Link aggregation



Management using SNMP-over-Ethernet

- ▶ Mandatory support for one specific management method, over one externally accessible port, was one of the original ideas
- ▶ SNMP-over-Ethernet was chosen after considerable debate.
- ▶ Panos proposed removing the requirement in comment #116 to D2.2 on grounds that the rest of 802.1Q does not require it.
- ▶ The record shows that this comment was accepted. Is that really correct?
- ▶ Comments were solicited.
 - ▶ No opinion but clarification: Stephen Haddock #12, (#9)
 - ▶ Make optional: Panos Saltsidis #38
 - ▶ Do not mandate: Jessy Rouyer #105
 - ▶ Leave as mandatory: David W Martin #81, John Messenger



Management /contd...

- ▶ A few notes on “Management Port”. I believe the text in 5.14 h) 2) was not really referring to the defined term (see below), but loosely to the port over which the management traffic was being received.
- ▶ A Management Port is a Bridge Port attached to the bridge relay entity but which is not attached to a physical LAN.
 - ▶ This is a method used by some bridges to ensure management reachability even when certain physical ports are down.
- ▶ 8.13.7 says that the Bridge Management Entity (if there is one) shall be attached to a single Bridge Port, which can be a Management Port or a Port attached to a LAN.



CFM: level 0 MIP

- ▶ If the MIP is at level 0, then you can't use an MA to protect the attached physical links.
- ▶ Comments
 - ▶ Norm Finn #79
 - ▶ Panos Saltsidis #40



EISS, ISS and multiple traffic classes

- ▶ A TPMR wants to use the priority value in the C-tag of a frame to determine which traffic class the frame belongs to, but to be unaware of the VLAN
- ▶ How can this best be achieved, given that the rollup of 802.1D and 802.1Q is out of scope of 802.1aj (and should stay out)?
- ▶ Comments
 - ▶ Panos Saltsidis #23, #45, #41



T-component in PIP: architecture

- ▶ What's the best way to describe the use of a T-component with a PIP?
- ▶ Comments
 - ▶ Mick Seaman: #65



Link Aggregation

- ▶ Use case K.2 shows two TPMRs in LAG links. This conflicts with the addresses in table 8-3.
- ▶ Comments
 - ▶ Stephen Haddock #16

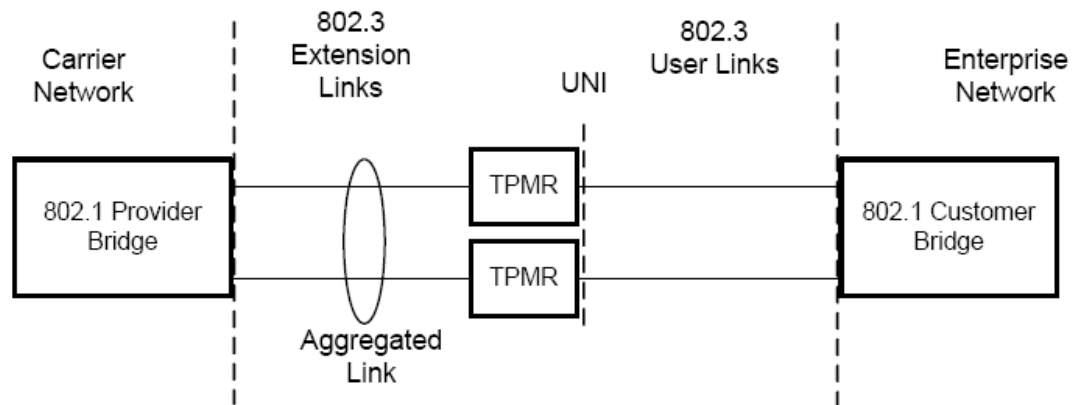


Figure K-2—TPMRs with aggregated links



Other items

- ▶ Do we need to indicate that some sections of 802.1Q don't apply to TPMRs, beyond what is already said in 5?
 - ▶ Comment: Kevin Nolish #104
- ▶ Amplification of use cases
 - ▶ Review Alan McGuire's use cases from May meeting



Plan

- ▶ Do comment resolution for D3.1 at this meeting
 - ▶ I would like to review Editorials and General comments as well as Technical
- ▶ Generate 802.1aj/D3.2 following this meeting, incorporating
 - ▶ Changes agreed this week
- ▶ Submit this for WG recirculation ballot.
- ▶ Comment resolution at the January interim
- ▶ Perhaps we can get approval to go to sponsor ballot following the meeting.



Thank You

ADVANCE

JMessenger@advaoptical.com

