

AUTO MAG
P.O. BOX 2468-D
PASADENA, CALIFORNIA 91105
(213) 681-4567



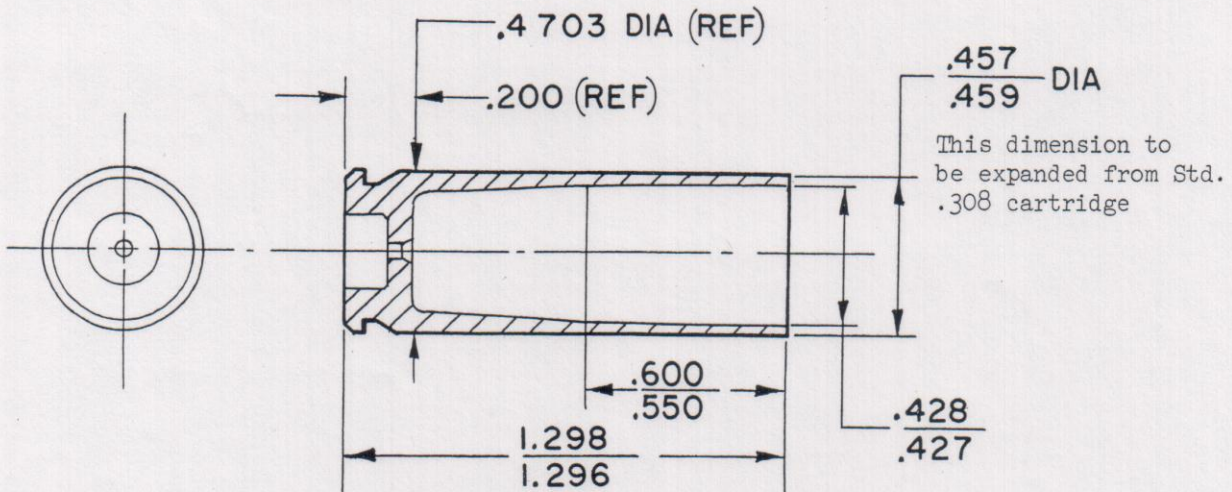
.44 AUTO MAG AMMUNITION INFORMATION

Factory Ammunition - There will be several sources of factory ammunition for those who wish to purchase it. Arrangements are being made for the production of .44 Auto Mag factory ammo by a number of internationally known ammunition manufacturers. This ammo should be available about the time of first Auto Mag shipment or very soon thereafter.

Unprimed .44 Auto Mag Brass - Cartridge cases (unprimed) which are formed from .308 brass will be available directly from Auto Mag in the event initial demand for factory ammo exceeds supply, or factory ammo is not yet available (a remote possibility) at the time production guns are ready for shipment.

Hand Loading - The hand loader can make his own cartridges using the .44 Auto Mag custom reloading die set. The .44 Auto Mag cartridges can be manufactured from surplus .308 military brass using magnum pistol primers, standard pistol powders, and any of a wide variety of .44 handgun bullets.

The dimensions of a .308 cartridge case formed to .44 Auto Mag are shown below:



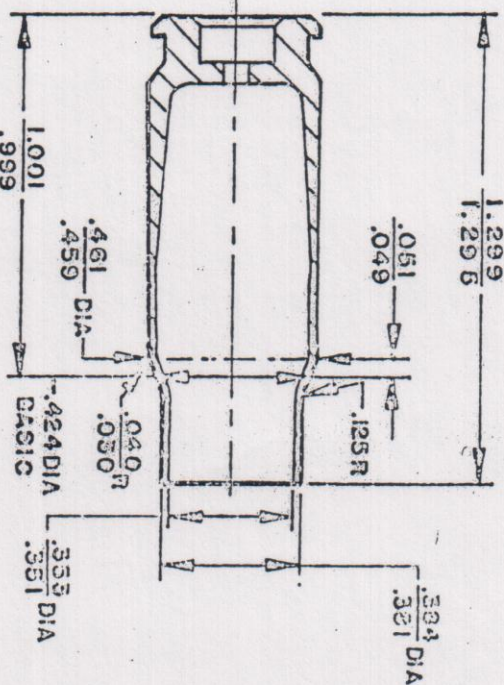
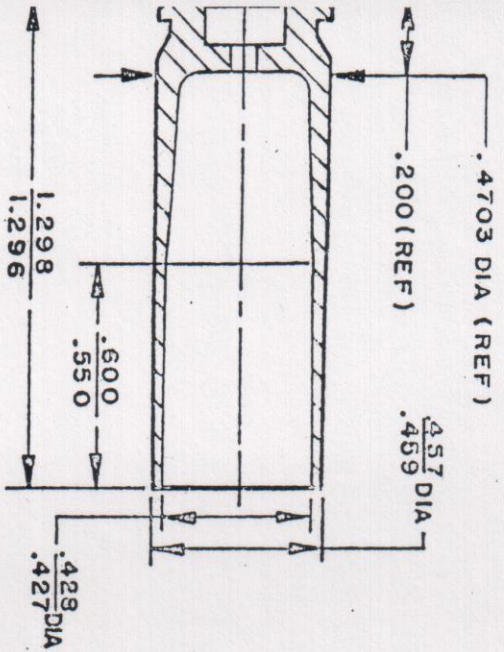
The Auto Mag custom reloading die set, including a reamer for finishing the neck of the formed case to the proper inside diameter, will be available from Auto Mag at the time production guns are ready for shipment. Any large pistol primer may be used.

Reloading data for the .44 Auto Mag, using the most popular powders and .44 caliber handgun bullets, will be mailed to all .44 Auto Mag Dealers and customers. As a matter of general information, tests to date indicate that 18 grains of Norma 1020 powder with a 240 grain bullet is a good .44 Auto Mag load, developing an average velocity of 1475 Ft/Sec as chronographed on the range.

Loads may be used which develop an operating chamber pressure up to 40,000 psi. Normal safety precautions for hand loading should be followed.

DIMENSIONS FOR FORMING .44 AMP AND .357 AMP CASES FROM .308 BRASS

AND LOADING: .44 Auto Mag cartridges can be manufactured from surplus .308 military brass using any fee, or large Magnum Pistol Primers, Standard Pistol Powders and any of a wide variety of .44 handgun Jilets.



The .357 Auto Mag cartridge is formed by running the .44 AMP cartridge into a .357 Auto Mag sizing die.

Test Gun: Production .44 Auto Mag Pistol with 6½" dbl., Twist: One in 18", Groove Diameter: .430", Bore Diameter: .422, Temperature: 68°F, Primers: CCI 350

14 AMP Loading Data

BULLET	POWDER	VELOCITY (F.P.S.)	BULLET	POWDER	VELOCITY (F.P.S.)
180 Gr.	24 Gr. 630-P	1653	200 Gr.	22 Gr. 2400	1485
180 Gr.	25 Gr. 630-P	1687	200 Gr.	23 Gr. 2400	1561
180 Gr.	26 Gr. 630-P	1751	200 Gr.	24 Gr. 2400	1574
180 Gr.	20 Gr. 1020	1482	240 Gr.	10 Gr. Unique	1230
180 Gr.	21 Gr. 1020	1605	240 Gr.	12 Gr. Unique	1346
180 Gr.	25 Gr. 2400	1596	240 Gr.	17 Gr. 630-P	1259
180 Gr.	26 Gr. 2400	1659	240 Gr.	18 Gr. 630-P	1319
200 Gr.	13 Gr. 1020	1402	240 Gr.	19 Gr. 630-P	1384
200 Gr.	19 Gr. 1020	1525	240 Gr.	20 Gr. 630-P	1428
200 Gr.	20 Gr. 1020	1585	240 Gr.	18 Gr. 2400	1252
200 Gr.	22 Gr. 630-P	1570	240 Gr.	20 Gr. 2400	1378
200 Gr.	23 Gr. 630-P	1624	240 Gr.	21 Gr. 2400	1435
200 Gr.	24 Gr. 630-P	1680	240 Gr.	22 Gr. 2400	1479
200 Gr.	23 Gr. 4227	1303	240 Gr.	15 Gr. 1020	1245
200 Gr.	24 Gr. 4227	1375	240 Gr.	16 Gr. 1020	1329

NOTES

These are suggested loads to provide best functioning -- do not exceed maximum loads listed -- Use sure primers are fully seated to bottom of primer pocket--any large or large magnum pistol primers can be used. Seat bullets for overall cartridge length of 1.600".

CHRONOGRAPH TEST RESULTS

AUTO MAG 357

125-grain bullet	150-gr N-1020	17.0 gr "	18.0 gr "	19.0 gr "	20.0 gr "	22.0 gr "	24.0 gr "	25.0 gr "	19.0 gr 2400	20.0 gr "	22.0 gr "	24.0 gr "	25.0 gr "	19.0 gr 630-P	21.0 gr "	24.5 gr H-4227	140-grain bullet	16.0 gr N-1020	17.0 gr "	18.0 gr "	19.0 gr "	20.0 gr "	22.0 gr "	24.0 gr "	17.0 gr 630-P	21.0 gr "	24.5 gr H-4227	158-grain bullet	16.0 gr N-1020	17.0 gr "	18.0 gr "	19.0 gr "	17.0 gr 2400	22.0 gr "	16.0 gr 630-P	18.0 gr "
1523-1588-1620 fps	1522-1410-1586	1631-1563-1592	1672-1805-1709	1931-1504-1835	2032-2079-1919	1538-1485	1615-1515	1705-1730-1680	1879-1851	2079-2066	1647-1440	1763-1776	1712-1739-1742	1430-1468-1466	1644-1631	1689-1683-1647	1766-1805-1709	1517-1506	1517-1615	1721-1765-1801	1897-1855-1862	1436-1443	1760-1751	1721-1766-1724	1388-1388-1300	1529-1626	1694-1598-1653	1760-1758-1765	1233-1352	1769-1700-1692	1328-1289	1595-1601				