



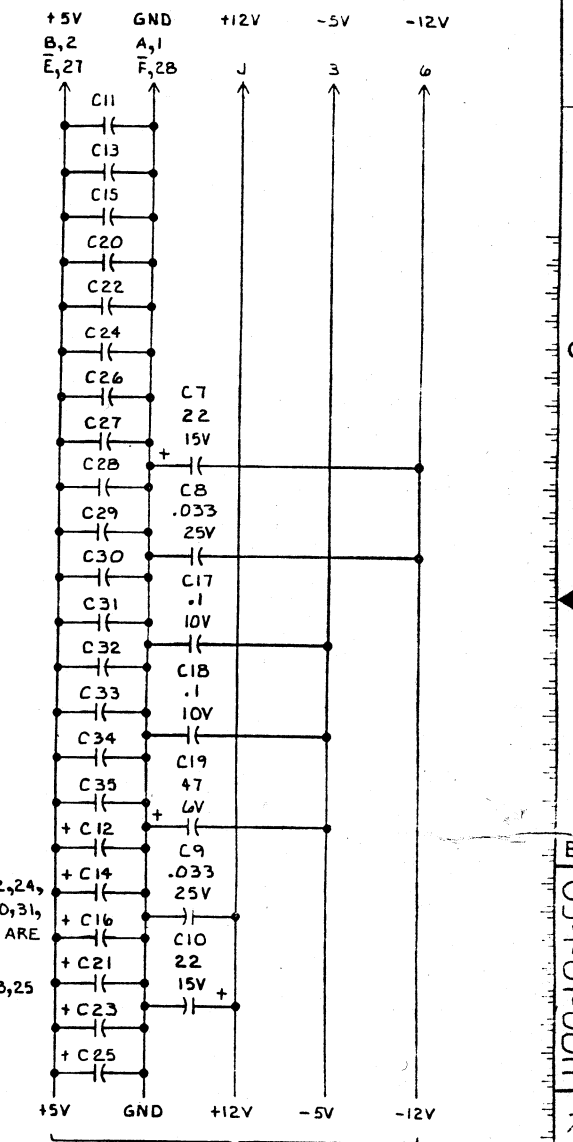
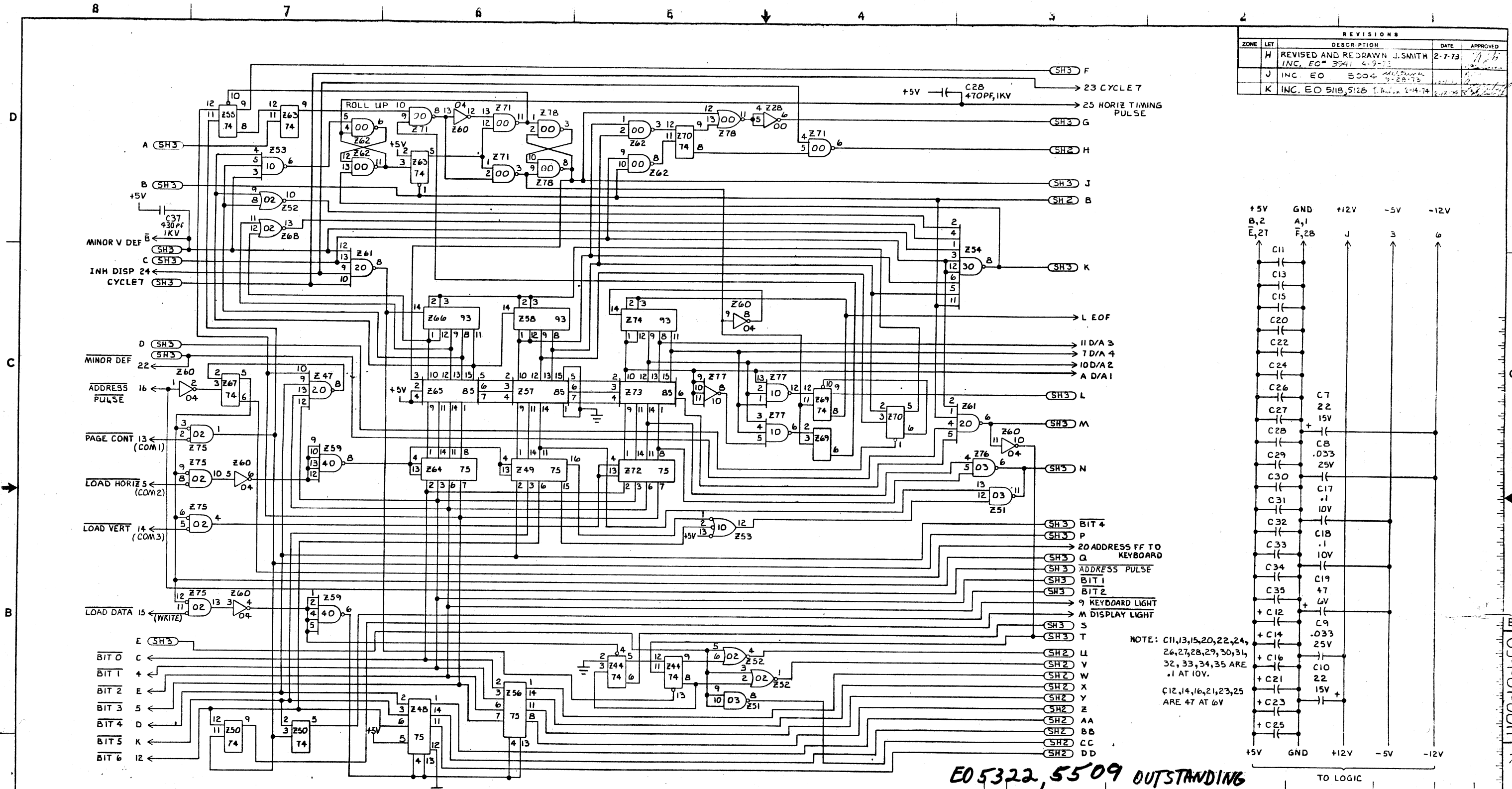
**DATAPPOINT 2200
VERSION I and II
DRAWING PACKAGE**

CONFIDENTIAL PROPRIETARY INFORMATION

This item is the property of Datapoint Corporation, San Antonio, Texas, and contains confidential and trade secret information. This item may not be transferred from the custody or control of Datapoint except as authorized by Datapoint and then only by way of loan for limited purposes. It must not be reproduced in whole or in part and must be returned to Datapoint upon request and in all events upon completion of the purpose of the loan.

Neither this item nor the information it contains may be used by or disclosed to persons not having a need for such use or disclosure consistent with the purpose of the loan, without the prior written consent of Datapoint.

REVISIONS				
ZONE	LET	DESCRIPTION	DATE	APPROVED
	H	REVISED AND REDRAWN J. SMITH	2-7-73	
	J	INC. EO 5004	4-9-73	
	K	INC. EO 5118, 5128	1-24-74	



EO 5322, 5509 OUTSTANDING

- ALL TRANSISTORS ARE 2N2369A.
- ALL DIODES ARE IN914.
- ALL CAPACITANCE VALUES ARE MICROFARADS ± %
- ALL RESISTORS ARE 3.9K OHMS ± 5%, 1/4 W.
- LOGIC SYMBOLS PER USA-STD-432.14
- ELECTRONIC SYMBOLS PER USA-STD-432.2-67.
- NUMBERS SHOWN WITHIN LOGIC SYMBOLS ARE SEGMENTS OF VENDOR PART NUMBERS DESCRIBED IN PARTS LIST.
- PARTIAL REFERENCE DESIGNATIONS ARE SHOWN FOR COMPLETE DESIGNATION PREFIX WITH UNIT AND/OR ASSEMBLY DESIGNATION AB.

DATAPOINT CONFIDENTIAL INFORMATION

- 10 REPLACE Z33, ZA560B WITH MCS1005-003 FOR HENDRIX 2200, OR MCS1005-001 FOR SWEDISH 2200, OR MCS 1005-020 FOR SWEDISH II 2200.
- 9 REPLACE Z24, ZA5607 WITH MCS1004-003 FOR HENDRIX 2200 OR MCS1004-002 FOR SWEDISH 2200, OR MCS1004-011 FOR SWEDISH II 2200.
- 8 WHEN Z15, NH0013C IS REPLACED BY D5013C-CR1 CR1 MUST BE REPLACED BY JUMPER WIRE.

REF DES	TYPE	INPUT	OUTPUT	SPARES
Z19	04	11	10	
Z19	04	1	2	
Z37	40	9,10,12,3	B	

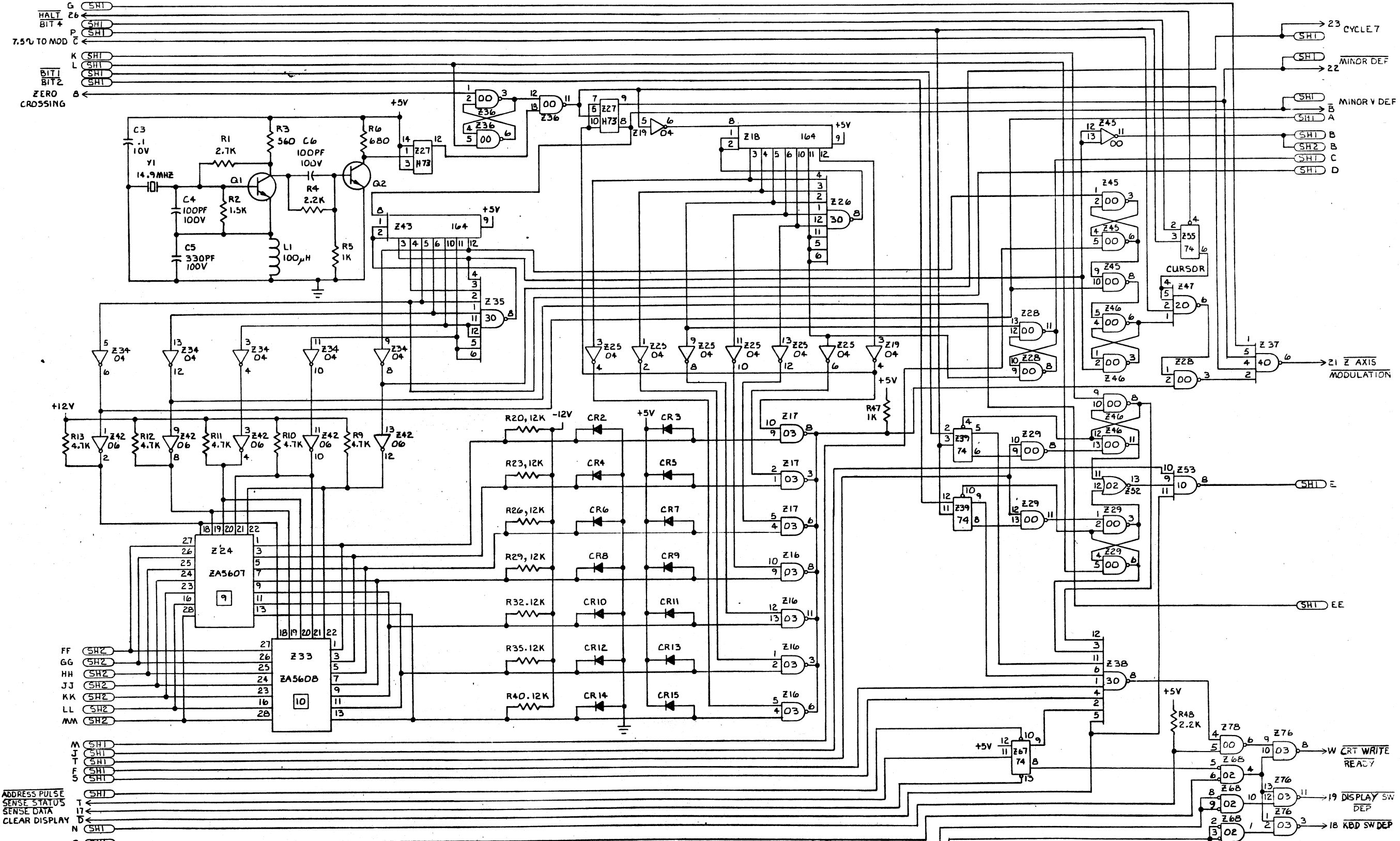
75	12	5	-	-	-
0013C	3	11	-	-	5
5607560B	14	-	-	17	15
1405	-	5	10	-	-
73	11	14	-	-	-
93	10	5	-	-	-
85	8	16	-	-	-
00,02,03	04,06,10,	7	14	-	-
20,30,40,	74,164				

EZ	
QZ	
YI	
LI	
CR15	CR1
R51	
C36	Z22,30
Z78	Z20,21
LAST USED	
NOT USED	
REF DES	

QTY	CTC PART NO.	NOMENCLATURE	VENDOR PART NO.	VENDOR	REF DES	ITEM

PARTS LIST			
UNLESS OTHERWISE SPECIFIED ALL DIMENSIONS ARE IN INCHES AND INCLUDE APPLIED FINISH.	DRAWN	DATE	
	JOHN ANDREWS SMITH	2-7-73	
TOLERANCES	CHECKED	DATE	
FRACTIONS ±	L. Lock	3-10-73	
ANGLES ±			
X ±	DESIGN ENGINEER	DATE	
XX ±	PROJECT ENGINEER	DATE	
XXX ±			

Computer Terminal Corporation		8725 DATAPOINT DR. SAN ANTONIO, TEXAS 78229 512-656-4520
SCHEMATIC DIAGRAM. DISPLAY CONTROL LOGIC AB 42		
SIZE D	DWG NO. 03-1-01-0011	REV K
SCALE NONE	SHEET 1 OF 3	



G (SH1)
 HALT BIT 4
 P (SH1)
 7.5V TO MOD C
 K (SH1)
 L (SH1)
 BIT1 BIT2
 ZERO CROSSING
 A (SH1)

FF (SH2)
 GG (SH2)
 HH (SH2)
 JJ (SH2)
 KK (SH2)
 LL (SH2)
 MM (SH2)
 M (SH1)
 J (SH1)
 T (SH1)
 F (SH1)
 S (SH1)
 ADDRESS PULSE
 SENSE STATUS
 SENSE DATA
 CLEAR DISPLAY
 D (SH1)
 N (SH1)
 Q (SH1)
 DISPLAY SW
 KEYBOARD SW
 U (SH1)

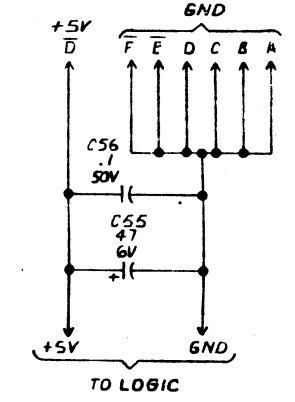
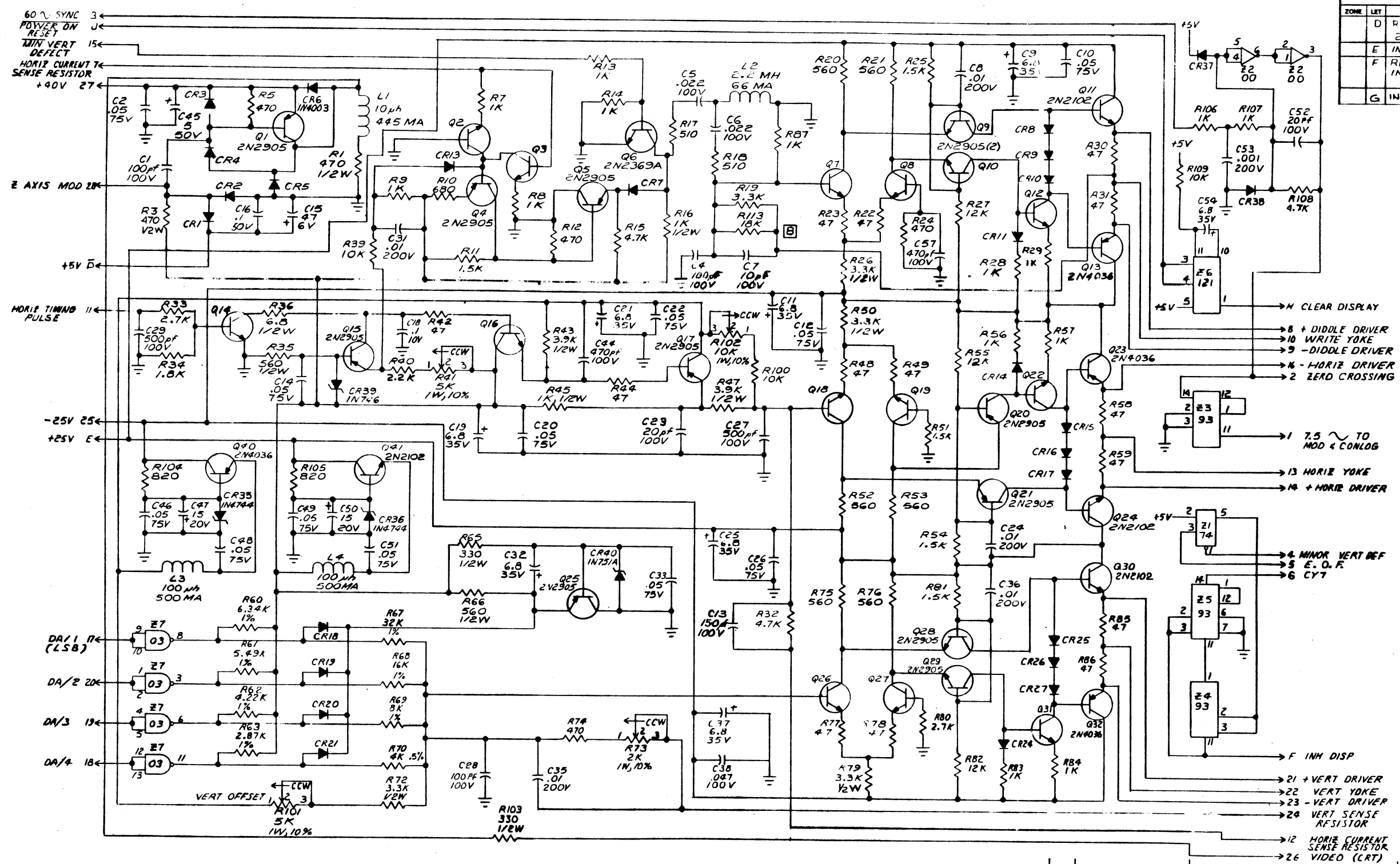
SCHMATIC DIAGRAM, DISPLAY CONTROL LOGIC AB



SCHEMATIC DIAGRAM,
 DISPLAY CONTROL LOGIC A8

	8725 BAYPORT BL. SAN ANTONIO, TEXAS 78229 512-495-4526	SIZE D	DWG NO. 03-1-01-0011 K
	SCALE NONE	SHEET 2 OF 3	

REVISIONS				
ZONE	LET	DESCRIPTION	DATE	APPROVED
	D	REPLACE REVC WITH CHANGE 2251 EO 10BB	3/12/71 4/7/71	J.F.A. K.P. JOHNSON
	E	INC EO# 3840 AMORIN 7-25-72	3/18/71 7/24/71	J.F.A. J.F.A.R.P.J.
	F	REDRAWN FROM JTO D SIZE 221 INC EO# 3944, 4938, 4329, 3942	4-9-73	J.F.A.
	G	INC EO 4692	10-3-75	J.F.A.



CONFIDENTIAL PROPRIETARY INFORMATION

This item is the property of Datapoint Corporation, San Antonio, Texas, and contains confidential and trade secret information. This item may not be transferred from the custody or control of Datapoint except as authorized by Datapoint and then only by way of loan for limited purposes. It must not be reproduced in whole or in part and must be returned to Datapoint upon request and in all events upon completion of the purpose of the loan.

Neither this item nor the information it contains may be used by or disclosed to persons not having a need for such use or disclosure consistent with the purpose of the loan, without the prior written consent of Datapoint.

Z1	74	12	6, 8, 9
Z2	00	10, 9	8
Z3	00	13, 12	11
REF TYPE	INPUT	OUTPUT	
DES	SPARES		

- 8] SELECT CORRECT DIDDLE AMPLITUDE AT TEST. R113 MAYBE REMOVED AS NECESSARY.
- TRANSISTORS ARE 2N2219A.
 - MODES ARE IN314.
 - CAPACITANCE VALUES ARE IN MICROFARADS.
 - RESISTOR VALUES ARE IN OHMS, 1/4W, 5%.
 - LOGIC SYMBOLS PER USA-STD-Y32.14, ELECTRONIC SYMBOLS PER USA-STD Y32.2-67.
 - NUMBERS SHOWN WITHIN LOGIC SYMBOLS ARE SEGMENTS OF VENDOR PART NUMBERS DESCRIBED IN PARTS LIST.
 - PARTIAL REFERENCE DESIGNATIONS ARE SHOWN, FOR COMPLETE DESIGNATION PREFIX WITH UNIT AND/OR ASSEMBLY DESIGNATION.

NOTES: (UNLESS OTHERWISE SPECIFIED)

74	7	14
121	7	14
93	10	5
00	7	14
TYPE	GND	75V

L4	RE, 4, 6
Z6	37, 38, 46
Q41	64, 71, 110
CR40	112, 88, 89
C57	C3, 17, 30
R113	36, 35, 43
LAST USED	NAT USED
REF DESIG	

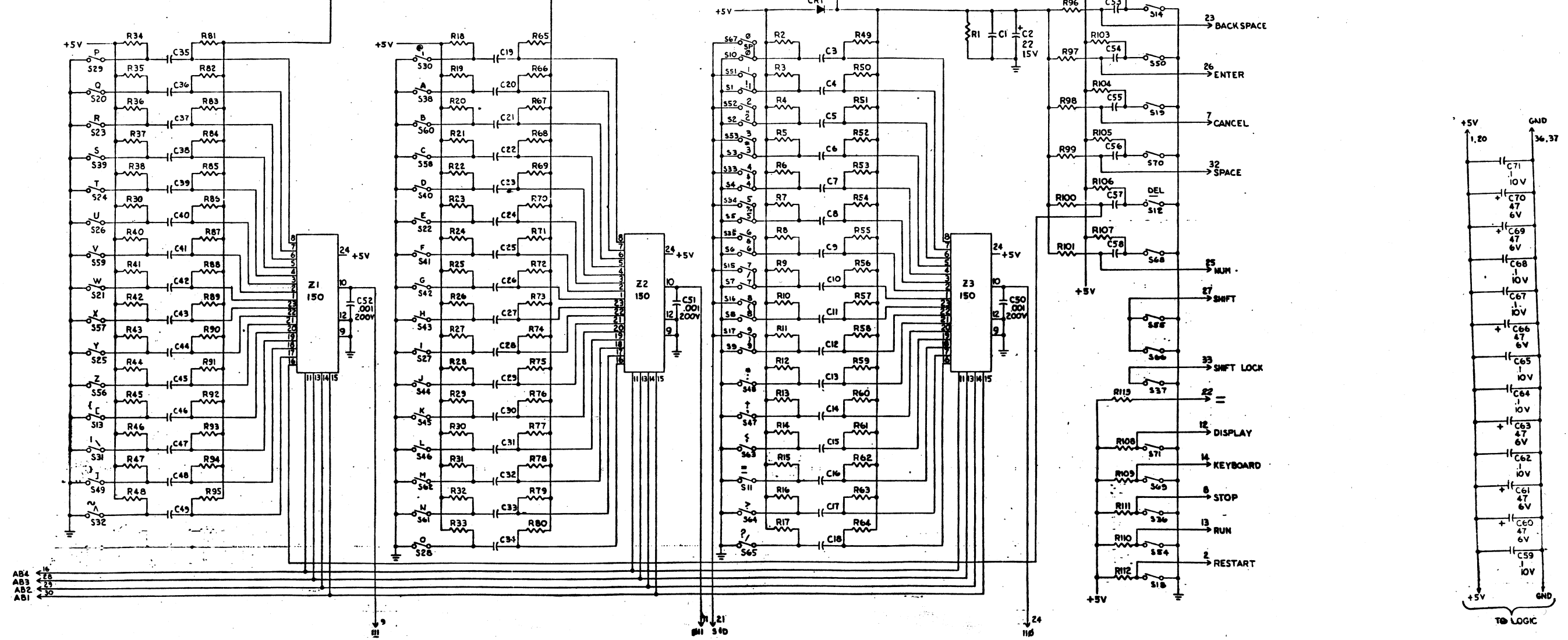
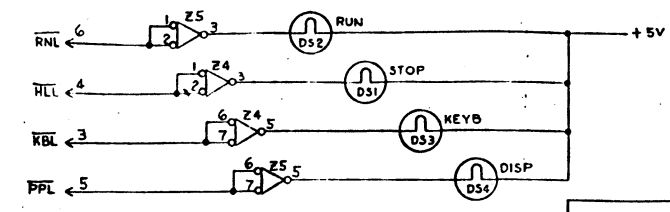
QTY	DWG PART NO.	NUMERATURE	VENDOR PART NO.	VENDOR	REP. DRG. NO.	ITEM

PARTS LIST		DATE
UNLESS OTHERWISE SPECIFIED ALL DIMENSIONS ARE IN INCHES AND INCLUDE APPLIED FINISH.	DRAWN	2-9-72
FRACTIONS ±	CHECKED	DATE
DECIMALS ±	DESIGN ENGINEER	DATE
XXX ±	PROJECT ENGINEER	DATE

Computer Terminal Corporation		8725 BALAPRINT DR. SAN ANTONIO, TEXAS 78229 512-590-4800
SCHEMATIC DIAGRAM, A7 DEFLECTION AMPLIFIER		
SIZE	DWG NO.	REV
D	03-1-01-0012	
SCALE	SHEET	

03-1-01-0012

REVISIONS				
ZONE	LET	DESCRIPTION	DATE	APPROVED
D		REPLACE REVISION C WITH CHANGE SEE DCN # 2251		
E		INC E.O. 1097		
# WAS J SIZE NO REV 2277				



- 8. I.C.'S ARE 75451P.
- 7. CAPACITORS ARE .1UF, .10V
- 6. ALL DIODES ARE 1N914.
- 5. CAPACITANCE VALUES IN MICROFARADS, +80-20%.
- 4. RESISTOR VALUES ARE IN OHMS, ± 5%, 1/4W.
R1 THRU R48 & R102 THRU R107 ARE 1K. R49 THRU R101 & R108 THRU R112 ARE .75K. R113 IS 2.2K.
- 3. LOGIC SYMBOLS PER USA-STD-Y32.14, ELECTRONIC SYMBOLS PER USA-STD-Y32.2-67.
- 2. NUMBERS SHOWN BELOW REFERENCE DESIGNATIONS WITHIN LOGIC SYMBOLS ARE SEGMENTS OF VENDOR PART NUMBERS DESCRIBED IN PARTS LIST.
- 1. PARTIAL REFERENCE DESIGNATIONS ARE SHOWN FOR COMPLETE DESIGNATION PREFIX WITH UNIT AND/OR ASSEMBLY DESIGNATION A6.

NOTES: (UNLESS OTHERWISE SPECIFIED)

DATEPOINT CONFIDENTIAL INFORMATION

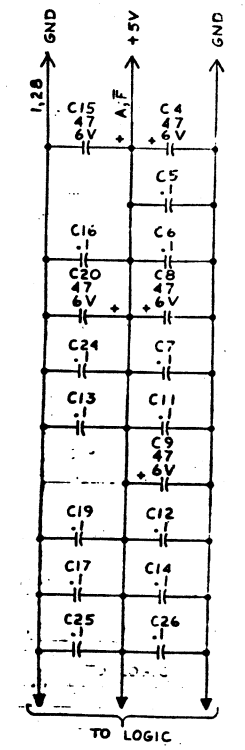
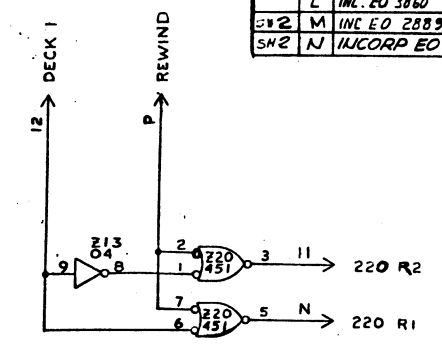
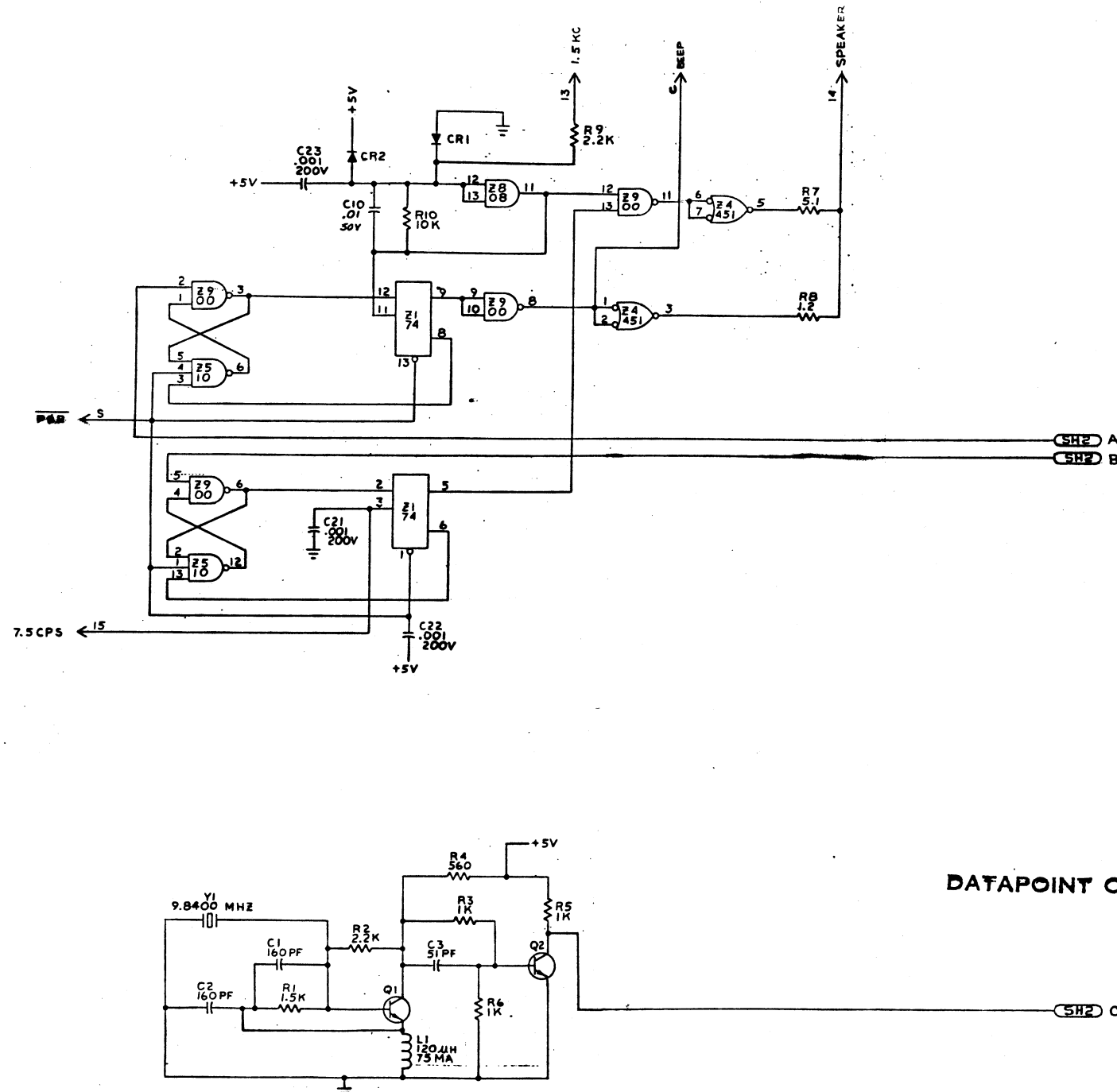
S71	
C71	
Z5	
R113	
LAST USED	NOT USED
REF DES	

24, 25	4	0
21, 22, 23	12	24
REF DES	GND	+5V

QTY	CTC PART NO.	NOMENCLATURE	VENDOR PART NO.	VENDOR	REF DES	ITEM
PARTS LIST						
2700	USED ON	UNLESS OTHERWISE SPECIFIED ALL DIMENSIONS ARE IN INCHES AND INCLUDE APPLIED FINISH.	DATE	 COMPUTER TERMINAL CORPORATION 9725 DATEPOINT DR. SAN ANTONIO, TEXAS 78229 512-396-6500		
03-1-03-0049	NEXT ASSEMBLY	TOLERANCES FRACTIONS ± ANGLES ± DECIMALS ± JOX ± JOX ±	DATE			
MATERIAL:		PROJECT ENGINEER	DATE	SCHEMATIC DIAGRAM KEYBOARD		
		DATE	DATE			
				A6		
				03-1-01-0014		
				E		

D
C
B
A

REVISIONS				
ZONE	LET	DESCRIPTION	DATE	APPROV'D
	G	REPLACES REV F WITH CHG. SEE E.O. 3026 & 3028 ADDED C24, C25, C26	6-11-71	APPROV'D
	H	ADDED OT GATE (Z15) BETWEEN Z7-9 & DOWN PIN E - 64 CLOCK. SEE PROD. E.O. # 2914, 2916 LOGS 7-22-71	7-26-71	APPROV'D
	J	INCORP E.O. 2918 K KNOWLES 8-27-71	8-11-71	APPROV'D
	K	INCORP E.O. 3585 & 3590 M. VICKERS 4-26-72	4-27-72	APPROV'D
	L	INC. E.O. 3860 G. SMITH 9-11-72	1-12-72	APPROV'D
SM2	M	INC. E.O. 2889	9-20-72	APPROV'D
SM2	N	INCORP E.O. 4407 M. VICKERS 4/14/73	4-16-73	APPROV'D



DATAPoint CONFIDENTIAL INFORMATION

E3	2.3	1
Z NO	INPUT	OUTPUT
	SPARES	

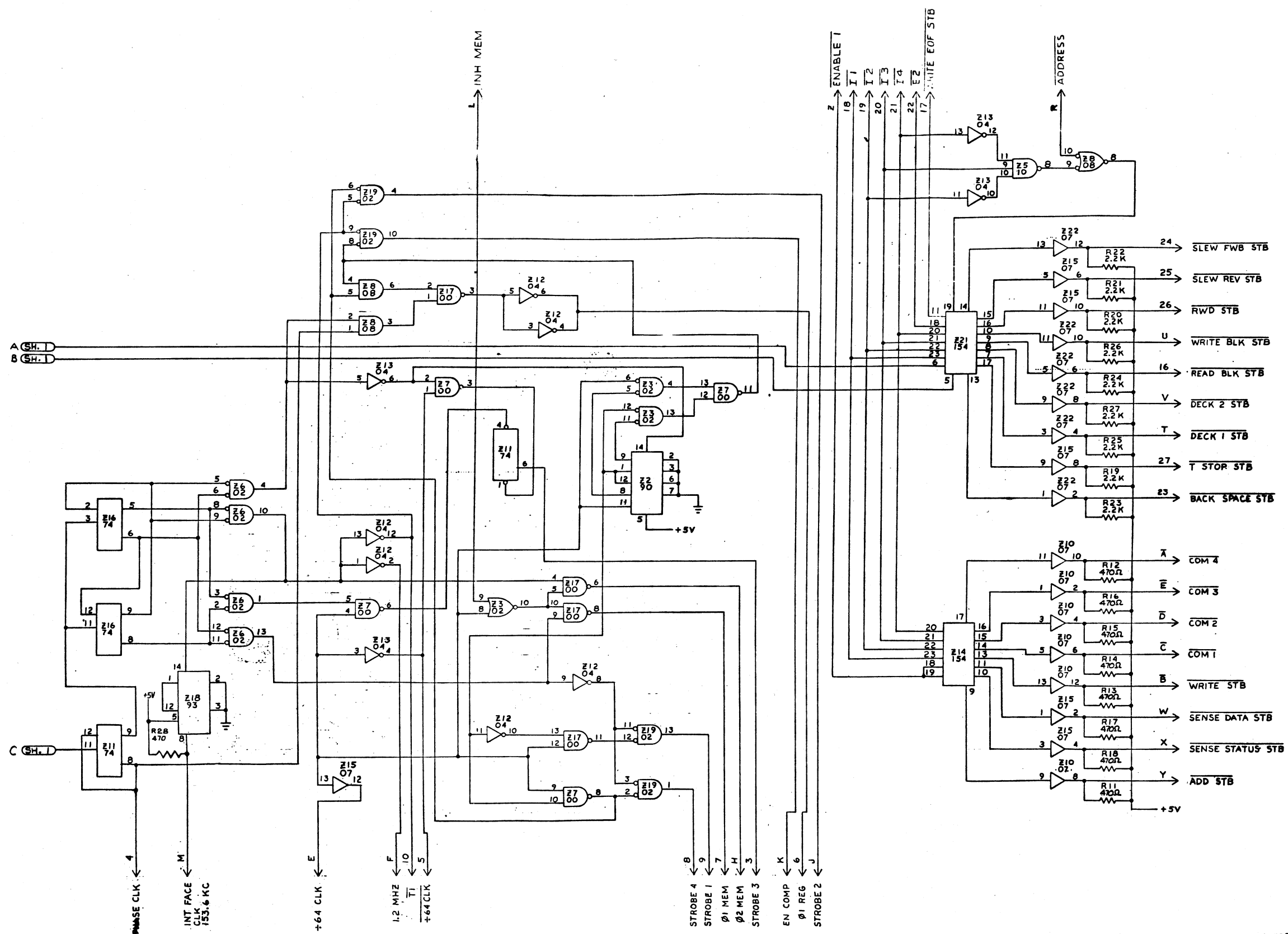
- 7 TRANSISTORS ARE 2N2369A
- 6 DIODES ARE IN914
- 5 CAPACITANCE VALUES ARE IN MICROFARADS
- 4 RESISTOR VALUES ARE IN OHMS, 5% 1/4 W
- 3 LOGIC SYMBOLS PER USA-STD-Y32 14, ELECTRONIC SYMBOLS PER USA-STD Y32.2-67
- 2 NUMBERS SHOWN WITHIN LOGIC SYMBOLS ARE SEGMENTS OF VENDOR PART NUMBERS
- 1 PARTIAL REFERENCE DESIGNATIONS ARE SHOWN, FOR COMPLETE DESIGNATION PREFIX WITH UNIT AND/OR ASSEMBLY DESIGNATION

NOTES: (UNLESS OTHERWISE SPECIFIED)

74154	12	24
7493	10	5
90	10	5
74	7	14
10	7	14
08	7	14
07	7	14
C4	7	14
Q2	7	14
7400	7	14
75451P	4	8
TYPE		
IC NO.	GND	+5

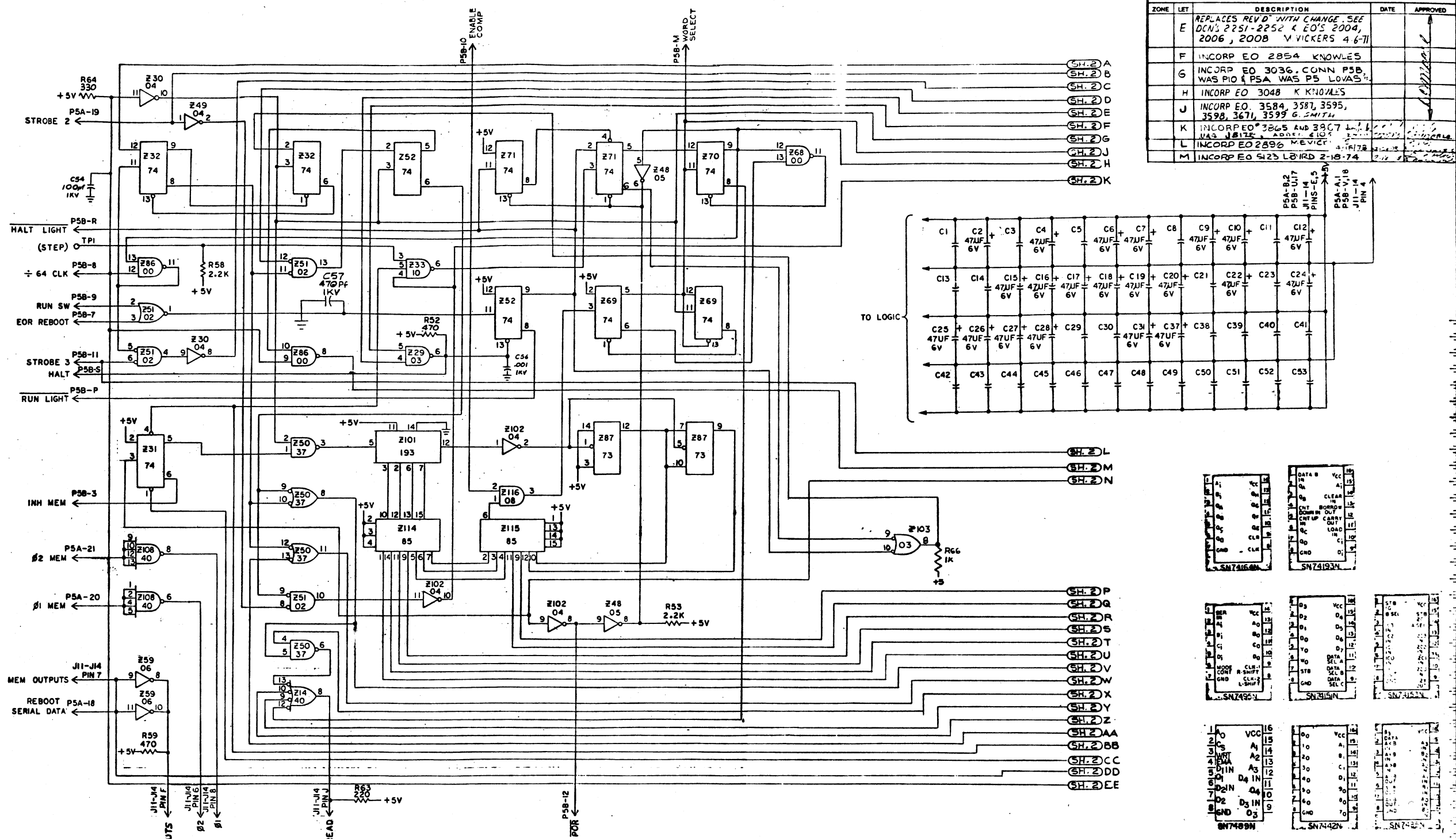
Y1	
R2B	
Q2	
L1	
CR2	
C26	C18
LAST USED	NOT USED
REF DES	

QTY	CTC PART NO.	NOMENCLATURE	VENDOR PART NO.	VENDOR	REF DES	ITEM
		PARTS LIST				
		UNLESS OTHERWISE SPECIFIED ALL DIMENSIONS ARE IN INCHES AND INCLUDE APPLIED FINISH.	DRAWN	DATE	Computer Terminal Corporation 8728 DATAPoint DR. SAN ANTONIO, TEXAS 78229 512-898-4520	
		TOLERANCES	CHECKED	DATE	SCHEMATIC DIAGRAM I DECODER A4	
		FRACTIONS ± ANGLES ±	DESIGN ENGINEER	DATE		
		x = ± DECIMALS JX = ± JOX = ±	PROJECT ENGINEER	DATE		
		MATERIAL:			SIZE D DWG NO. 03-1-C-0017 REV N	
					SCALE NONE SHEET 1 OF 2	



DATAPOINT CONFIDENTIAL INFORMATION

REVISIONS				
ZONE	LET	DESCRIPTION	DATE	APPROVED
	E	REPLACES REV'D WITH CHANGE. SEE DCN'S 2251-2252 & EO'S 2004, 2006, 2008 VICKERS 4-6-71		
	F	INCRP EO 2854 KNOWLES		
	G	INCRP EO 3036. CONN P5B, WAS PIO & PSA WAS P5 LOVAS		
	H	INCRP EO 3048 K KNOWLES		
	J	INCRP EO. 3584, 3587, 3595, 3598, 3671, 3599 G. SMITH		
	K	INCRPEO 3865 AND 3867 L. L. WAGNER		
	L	INCRP EO 2896 MEVIZ		
	M	INCRP EO 5123 LBYRD 2-18-74		



D

C

B

A

DATAPOINT CONFIDENTIAL INFORMATION

- 5. CAPACITORS ARE .1UF @ 10V
- 4. RESISTOR VALUES ARE IN OHMS, ± 5%, 1/4W
- 3. LOGIC SYMBOLS PER USA-STD-Y32.14, ELECTRONICS SYMBOLS PER USA-STD-Y32.2-67.
- 2. NUMBERS SHOWN BELOW REFERENCE DESIGNATIONS WITHIN LOGIC SYMBOLS ARE SEGMENTS OF VENDOR PART NUMBERS DESCRIBED IN PARTS LIST.
- 1. PARTIAL REFERENCE DESIGNATIONS ARE SHOWN FOR COMPLETE DESIGNATION PREFIX WITH UNIT AND / OR ASSEMBLY DESIGNATION

NOTES: (UNLESS OTHERWISE SPECIFIED)

QTY	CTC PART NO.	NOMENCLATURE	VENDOR PART NO.	VENDOR	REF DES	ITEM
103	03	4,5	6	78	04	3
99	04	1	2	60	03	2,3
99	04	11	10	60	03	7,8
95	10	9	8	49	00	6
95	10	9	8	49	00	3
116	08	12,13	11	83	04	15
106	74	2,3	4,5,6	85	04	1
123	06	3	4	61	04	13
104	06	5	6	78	04	9
104	06	3	4	73	04	5

73	11/14
42,05	8/16
151,153	8/16
193,3101	
04,05,06	7/16
08,10,10	
30,37,40	
76,85,89	
IC TYPE	

QTY	CTC PART NO.	NOMENCLATURE	VENDOR PART NO.	VENDOR	REF DES	ITEM
2200	USED ON					
03-1-01-0019	NEXT ASBY					
	DASH					

UNLESS OTHERWISE SPECIFIED ALL DIMENSIONS ARE IN INCHES AND INCLUDE APPLIED FINISH.

TOLERANCES: FRACTIONS ±, ANGLES ±, DECIMALS, JOX ±, JOX ±

MATERIAL:

Computer Terminal Corporation
 8725 DATAPOINT DR.
 SAN ANTONIO, TEXAS
 78228
 812-896-4520

SCHEMATIC DIAGRAM
 PROCESSOR

SIZE: D
 DWG NO: 03-1-01-0019
 REV: M
 SHEET 1 OF 5

8

7

6

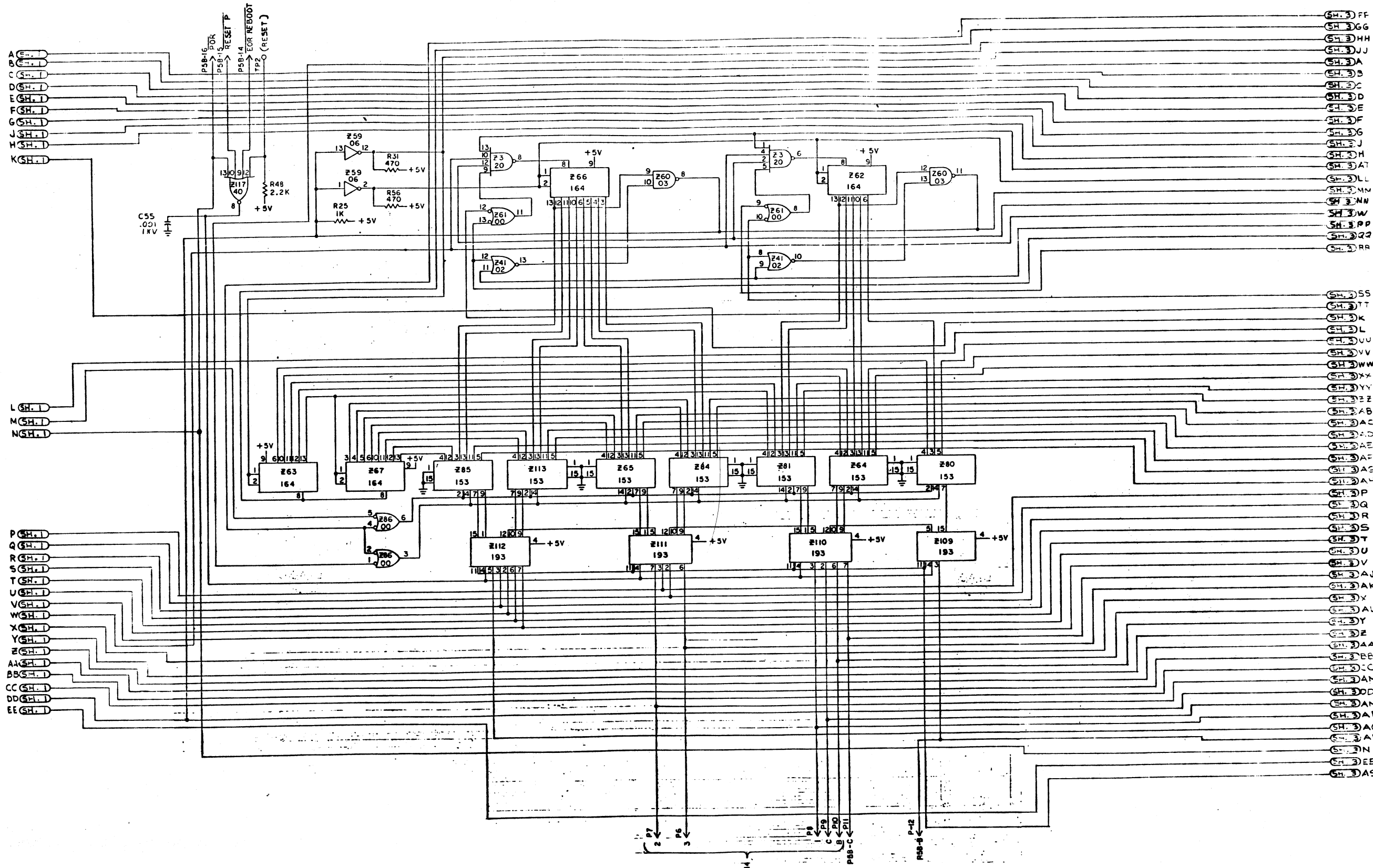
5

4

3

2

1



A (SH. 1)
 B (SH. 1)
 C (SH. 1)
 D (SH. 1)
 E (SH. 1)
 F (SH. 1)
 G (SH. 1)
 J (SH. 1)
 H (SH. 1)
 K (SH. 1)

L (SH. 1)
 M (SH. 1)
 N (SH. 1)


P (SH. 1)
 Q (SH. 1)
 R (SH. 1)
 S (SH. 1)
 T (SH. 1)
 U (SH. 1)
 V (SH. 1)
 W (SH. 1)
 X (SH. 1)
 Y (SH. 1)
 Z (SH. 1)
 AA (SH. 1)
 BB (SH. 1)
 CC (SH. 1)
 DD (SH. 1)
 EE (SH. 1)

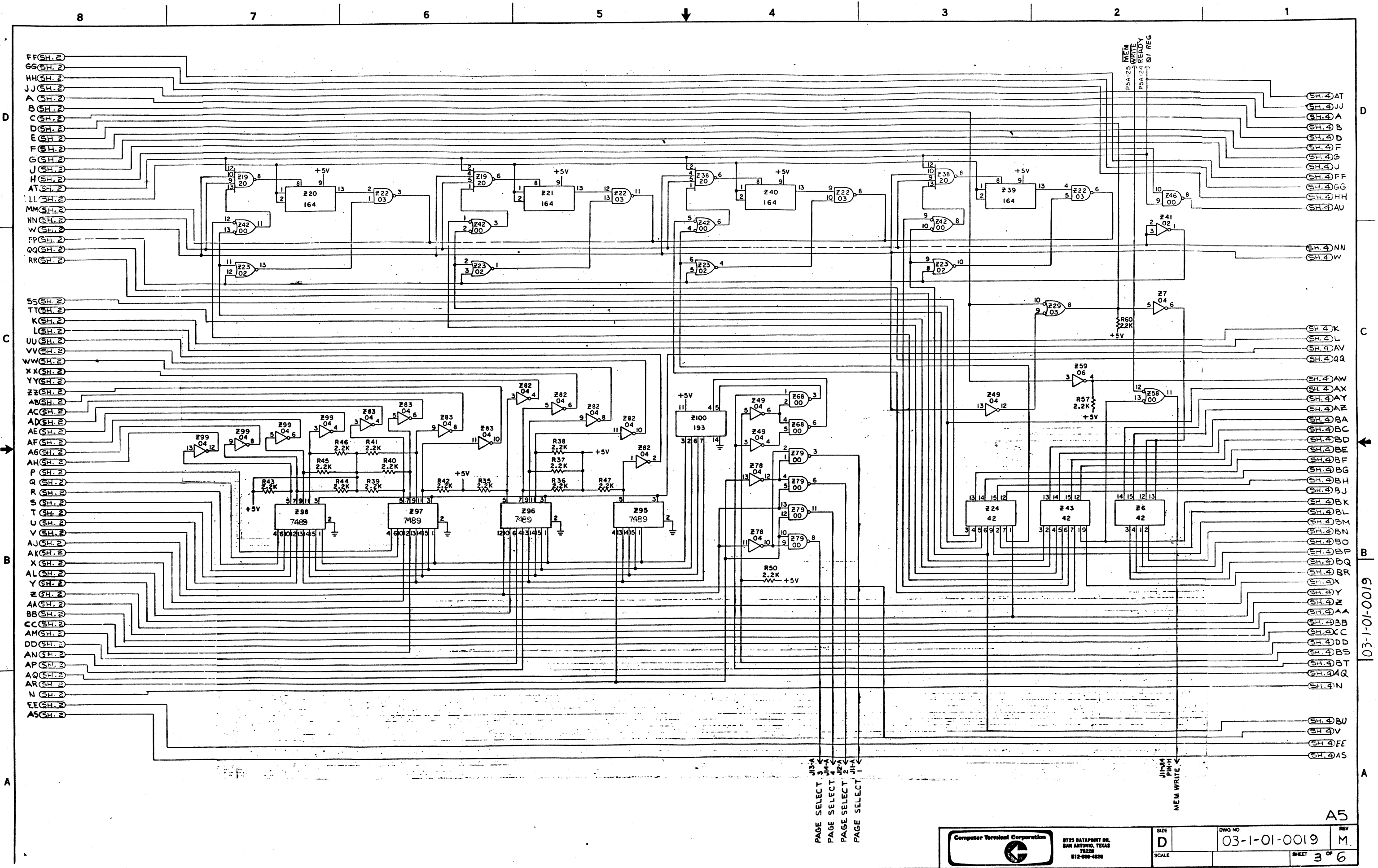
(SH. 3) FF
 (SH. 3) GG
 (SH. 3) HH
 (SH. 3) JJ
 (SH. 3) AA
 (SH. 3) B
 (SH. 3) C
 (SH. 3) D
 (SH. 3) E
 (SH. 3) F
 (SH. 3) G
 (SH. 3) H
 (SH. 3) AT
 (SH. 3) LL
 (SH. 3) MM
 (SH. 3) NN
 (SH. 3) WW
 (SH. 3) PP
 (SH. 3) QQ
 (SH. 3) RR

(SH. 3) SS
 (SH. 3) TT
 (SH. 3) K
 (SH. 3) L
 (SH. 3) UU
 (SH. 3) VV
 (SH. 3) WW
 (SH. 3) XX
 (SH. 3) YY
 (SH. 3) Z
 (SH. 3) AB
 (SH. 3) AC
 (SH. 3) AD
 (SH. 3) AE
 (SH. 3) AF
 (SH. 3) AG
 (SH. 3) AH

(SH. 3) P
 (SH. 3) Q
 (SH. 3) R
 (SH. 3) S
 (SH. 3) T
 (SH. 3) U
 (SH. 3) V
 (SH. 3) AJ
 (SH. 3) AK
 (SH. 3) Y
 (SH. 3) AL
 (SH. 3) Y
 (SH. 3) Z
 (SH. 3) AA
 (SH. 3) BB
 (SH. 3) CC
 (SH. 3) AM
 (SH. 3) DD
 (SH. 3) AN
 (SH. 3) AP
 (SH. 3) AQ
 (SH. 3) AR
 (SH. 3) IN
 (SH. 3) EE
 (SH. 3) AS

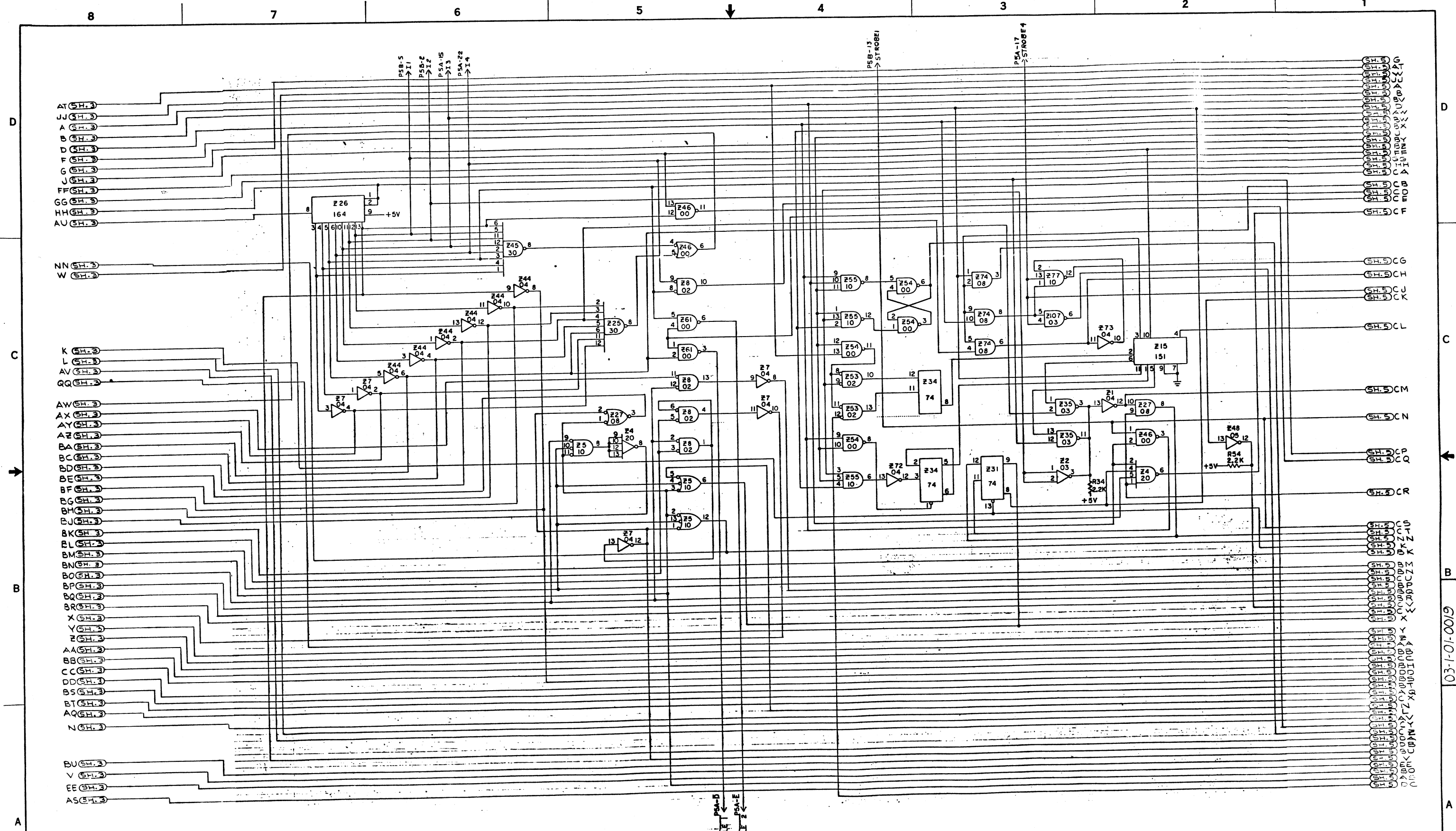
A5

	6725 BAYAPORT DR. SAN ANTONIO, TEXAS 78238 512-349-4128	SIZE D	DWG. NO. 03-1-01-0019	REV M
	SCALE	SHEET 2 OF 6		



03-1-01-0019

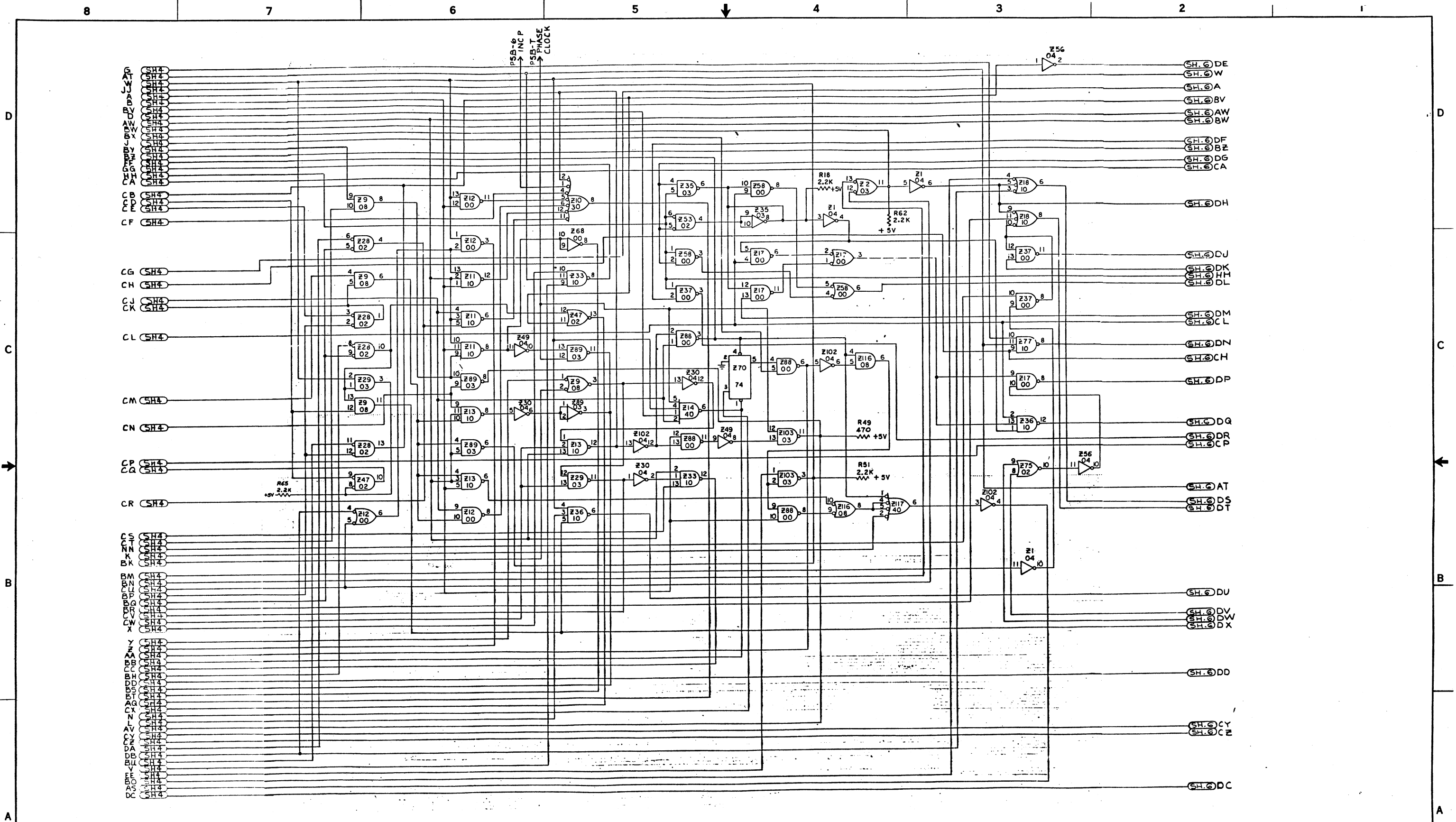
A5



D
C
B
A

A5

	8725 DATAPORT DR. SAN ANTONIO, TEXAS 78229 512-346-4588	SIZE	D	DWG NO.	03-1-01-0019	REV	M
		SCALE		SHEET	4	OF	6



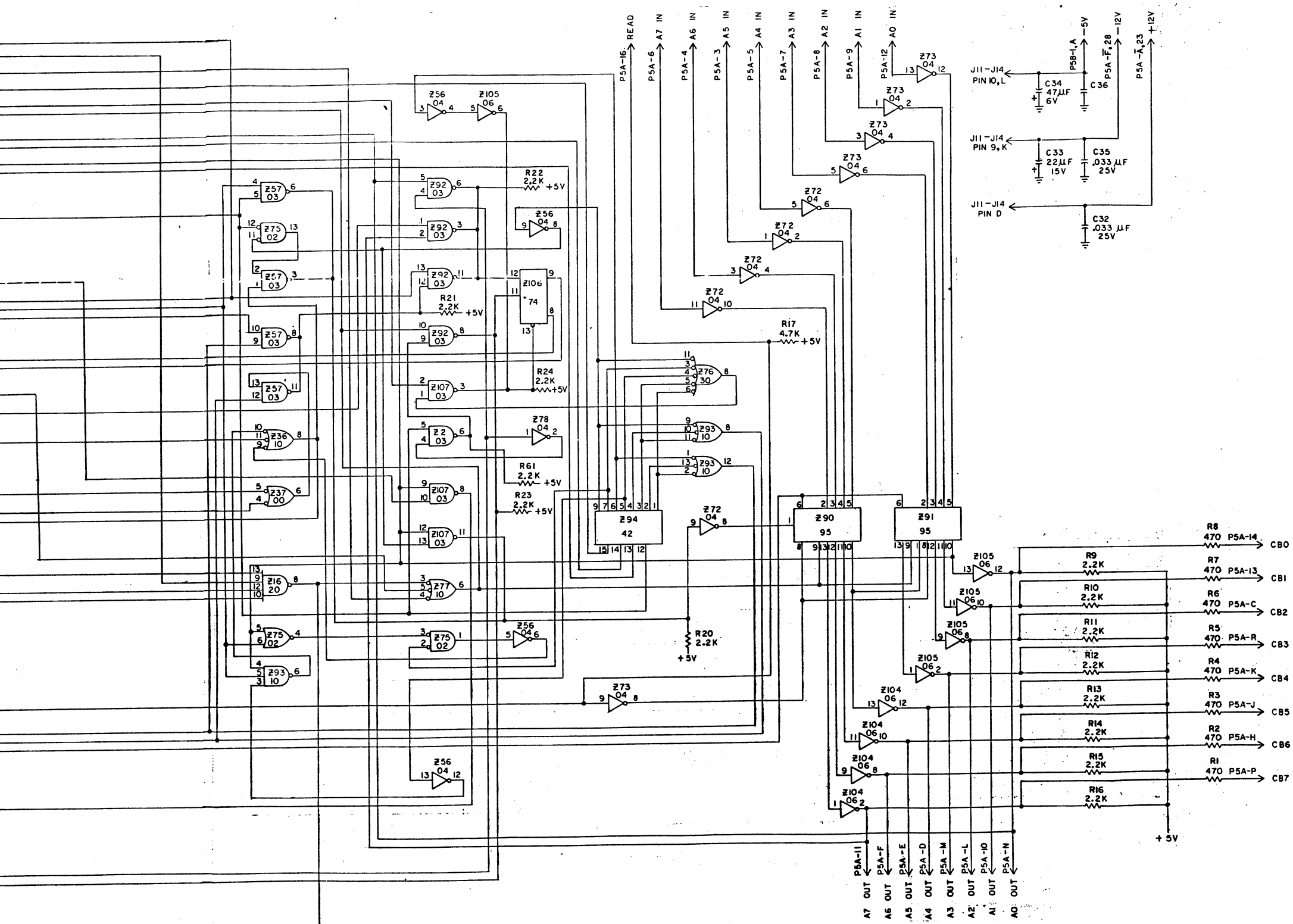
A5

	8725 DATAPoint DR. SAN ANTONIO, TEXAS 78229 812-696-4529	SIZE D	DWG NO. 03-1-01-0019	REV M
	SCALE	SHEET 5 OF 6		

D
C
B
A

D
C
B
A

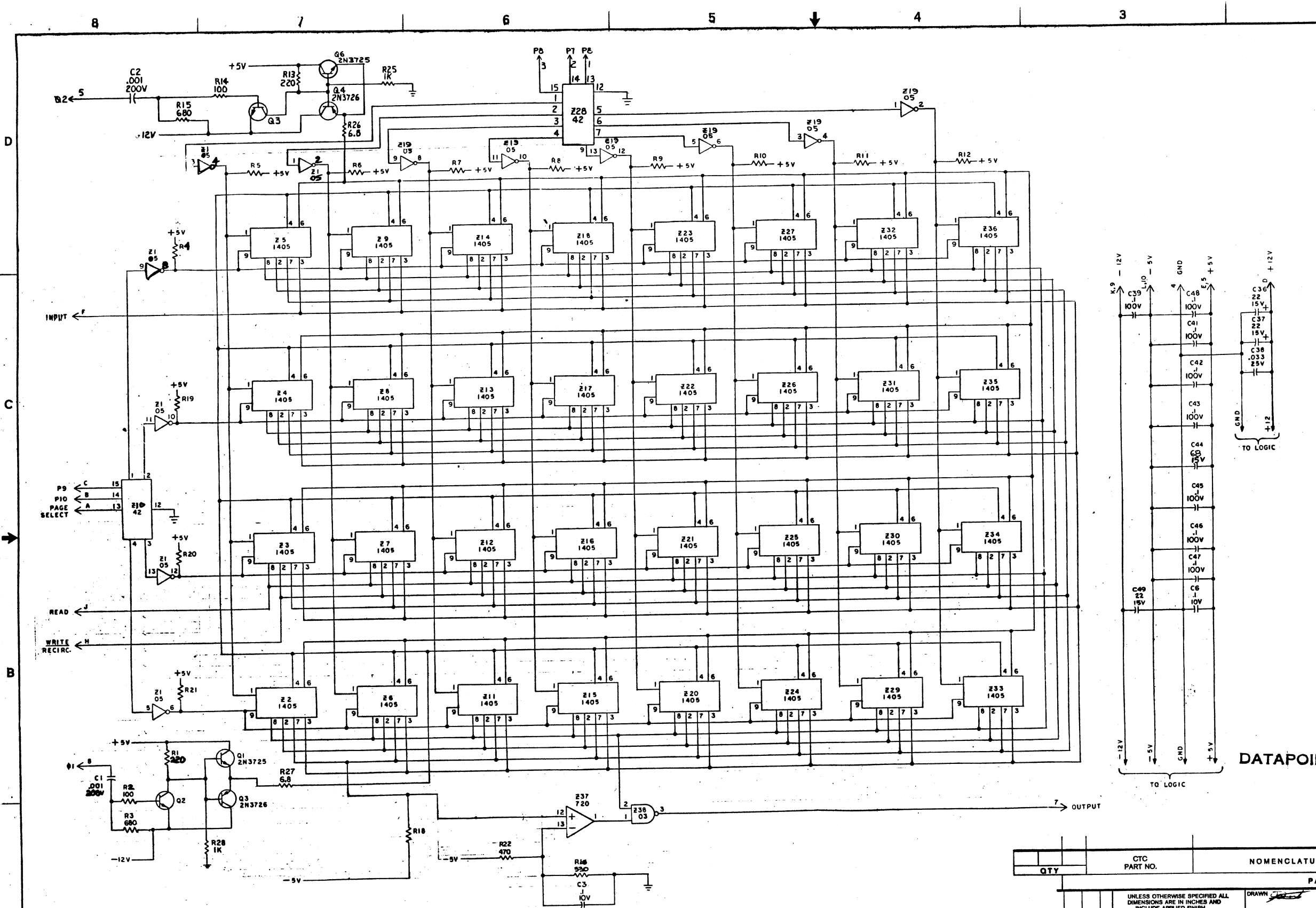
DC (SH.5)
W (SH.5)
A (SH.5)
BV (SH.5)
AW (SH.5)
BW (SH.5)
DF (SH.5)
BF (SH.5)
DG (SH.5)
CG (SH.5)
DH (SH.5)
DJ (SH.5)
DK (SH.5)
HN (SH.5)
DL (SH.5)
DM (SH.5)
CL (SH.5)
DN (SH.5)
CH (SH.5)
DP (SH.5)
DQ (SH.5)
DR (SH.5)
CP (SH.5)
AT (SH.5)
DS (SH.5)
DT (SH.5)
DU (SH.5)
DV (SH.5)
DW (SH.5)
DX (SH.5)
DD (SH.5)
CY (SH.5)
CF (SH.5)
DC (SH.5)



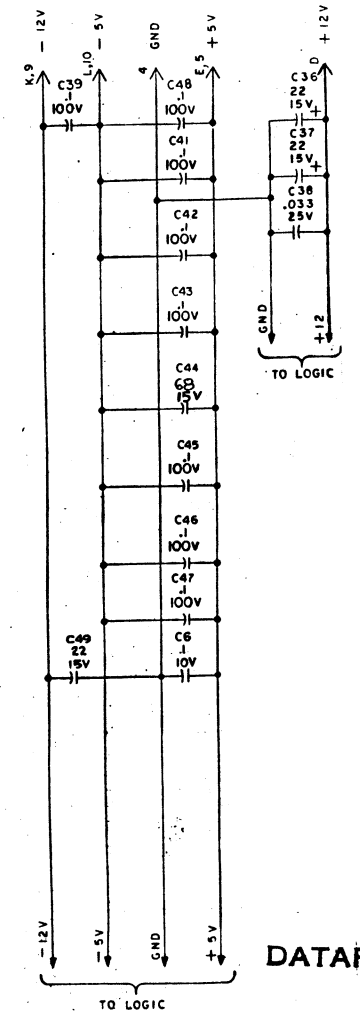
03-1-01-0019

A5

	8725 DATAPoint DR. SAN ANTONIO, TEXAS 78228 812-698-4528	SIZE D	DWG NO. 03-1-01-0019	REV M
	SCALE	SHEET 6 of 6		



REVISIONS				
ZONE	LET	DESCRIPTION	DATE	APPROVED
	D	REPLACES REV C WITH CHANGE SEE DCN 2251 & 2138		
	E	INC E.O. 2320	K. KNOWLES 4/21/71	
	F	INC E.O. 3029	L'ROY ANDERSON 5-24-71	
	G	INC E.O. 3032 & E.O. 3033	KNOWLES 6-22-71	
	H	INC E.O. 3033 & E.O. 3044	VICKERS	
	J	INC E.O. 3518	KNOWLES 2-10-72	
	K	INC E.O. 3948 & REDRAW FROM J	OSM... 3-27-72	



DATAPoint CONFIDENTIAL INFORMATION

4. ALL TRANSISTORS ARE 2N 2219
 5. ALL CAPACITANCE VALUES ARE IN MICROFARADS.
 4. ALL RESISTOR VALUES ARE IN OHMS, 22K, ± 5%, 1/4 W
 3. LOGIC SYMBOLS PER MIL-STD-806, ELECTRONIC SYMBOLS PER USA-STD-Y32.2-67
 2. NUMBERS SHOWN BELOW REFERENCE DESIGNATION WITHIN LOGIC SYMBOLS ARE SEGMENTS OF VENDOR PART NUMBERS DESCRIBED IN PARTS LIST
 1. PARTIAL REFERENCE DESIGNATIONS ARE SHOWN; FOR COMPLETE DESIGNATION PREFIX WITH UNIT AND/OR ASSEMBLY DESIGNATION (A11 - A14)

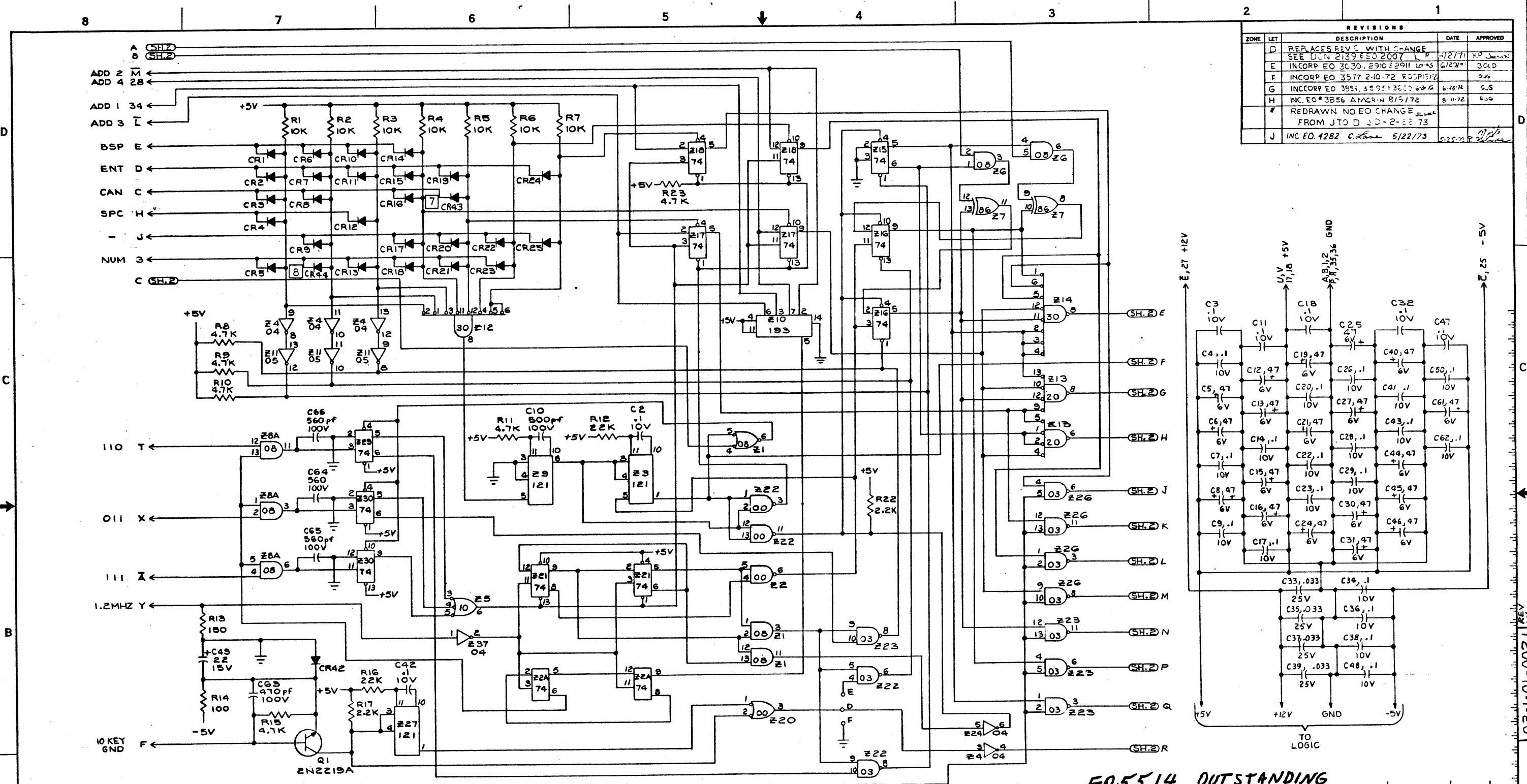
REF DES	TYPE	INPUT	OUTPUT
Z30	03	4, 5	6
Z38	03	9, 10	8
Z39	03	12, 13	11
Z37	720	5, 6	8
SPARES			

Q6	
Z38	C4, 5, 7
C49	35, 40
R28	R17
LAST USED	NOT USED
REF DES	

1405	NONE	5	10
42	8	16	
720	11	14	3
03	7	14	
TYPE	GND	+5V	-5V +12V

QTY	CTC PART NO.	NOMENCLATURE	VENDOR PART NO.	VENDOR	REF DES	ITEM
PARTS LIST						
03-1-01-0020	2200	USED ON				
		NEXT ASSY				
		DRAWN	DATE	Computer Terminal Corporation 8725 DATAPoint DR. SAN ANTONIO, TEXAS 78229 512-999-4530		
		CHECKED	DATE	SCHEMATIC DIAGRAM MEMORY A11-A14		
		DESIGN ENGINEER	DATE	A11-A14		
		PROJECT ENGINEER	DATE	D		
				Dwg NO. 03-1-01-0020		
				REV K		
				SCALE		
				SHEET 1 OF 1		

03-1-01-0020 JK



REVISIONS				
ZONE	LET	DESCRIPTION	DATE	APPROVED
	D	REPLACES REV C WITH CHANGE		
	E	SEE DCN 2139 EEO 2007	7/27/71	K.P. Johnson
	F	INCCORP EO 3030, 2910, 2911, 2912	6/27/71	306
	G	INCCORP EO 3577, 210-72, R00P1372	6-28-72	606
	H	INC. EO 3856 AMCRIN 8/5/72	8-11-72	606
	J	REDRAWN NO EO CHANGE FROM JTO D J D-2-22-73		
	J	INC EO 4282 C. Lane	5/22/73	5-25-73

DATAPOINT CONFIDENTIAL INFORMATION

E05514 OUTSTANDING

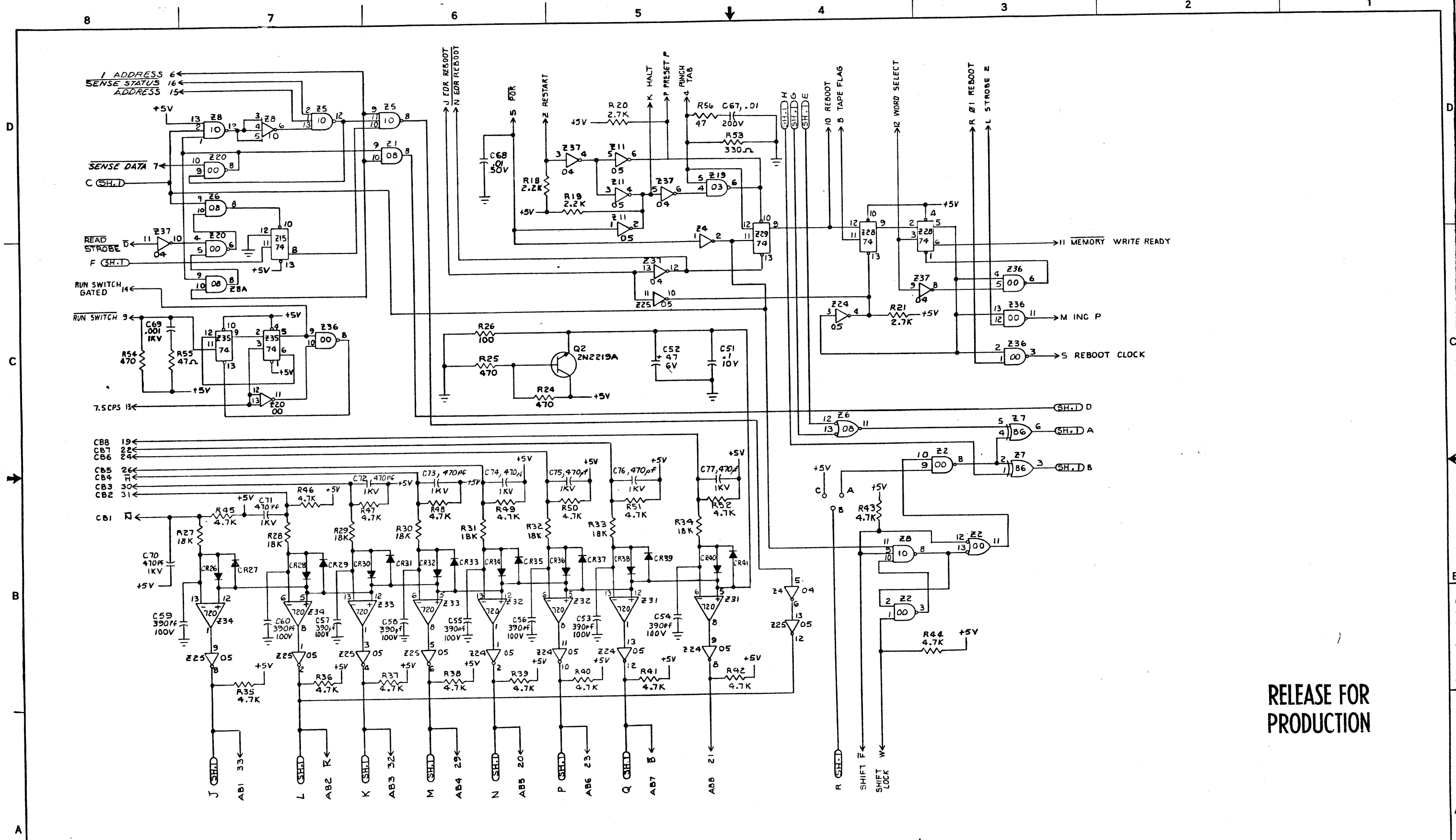
- 8. USED ON 03-1-03-0021-803, -804, 806, 809
- 7. USED ON 03-1-03-0021-803, 805, 807, 809 ONLY
- 6. ALL DIODES ARE IN514
- 5. ALL CAPACITANCE VALUES ARE IN MICROFARADS.
- 4. ALL RESISTOR VALUES ARE IN OHMS, 1/4W, 5%
- 3. LOGIC SYMBOLS PER USA-STD-Y32.14, ELECTRONIC SYMBOLS PER USA-STD-Y32.2-GT.
- 2. NUMBERS SHOWN BELOW REFERENCE DESIGNATION WITHIN LOGIC SYMBOLS ARE SEGMENTS OF VENDOR PART NUMBERS DESCRIBED IN PARTS LIST.
- 1. PARTIAL REFERENCE DESIGNATION ARE SHOWN; FOR COMPLETE DESIGNATION PREFIX WITH UNIT AND/OR ASSEMBLY DESIGNATION.

REF	TYPE	INPUT	OUTPUT
Z19	03	1, 2	3
Z19	03	9, 10	8
Z19	03	12, 13	11
DES		SPARES	

193	8	16
121	7	14
86	7	14
74	7	14
30	7	14
20	7	14
10	7	14
08	7	14
05	7	14
04	7	14
03	7	14
00	7	14
IC	6ND	+5V

Z37
Q2
CR44
CT7 C1
RS6
LAST USED
NOT USED
REF DES

QTY	CTC PART NO.	NOMENCLATURE	VENDOR PART NO.	VENDOR	REF DES	ITEM
PARTS LIST						
UNLESS OTHERWISE SPECIFIED ALL DIMENSIONS ARE IN INCHES AND INCLUDE APPLIED FINISH.						
TOLERANCES		DRAWN		DATE		
FRACTIONS ±		CHECKED		DATE		
ANGLES ±		DESIGN ENGINEER		DATE		
X ±		PROJECT ENGINEER		DATE		
DECIMALS						
XX ±						
JXX ±						
MATERIAL:						
SCHEMATIC DIAGRAM, KEYBOARD LOGIC A9						
SIZE		DWG NO		REV		
D		03-1-01-0021		J		
SHEET 1 OF 2						



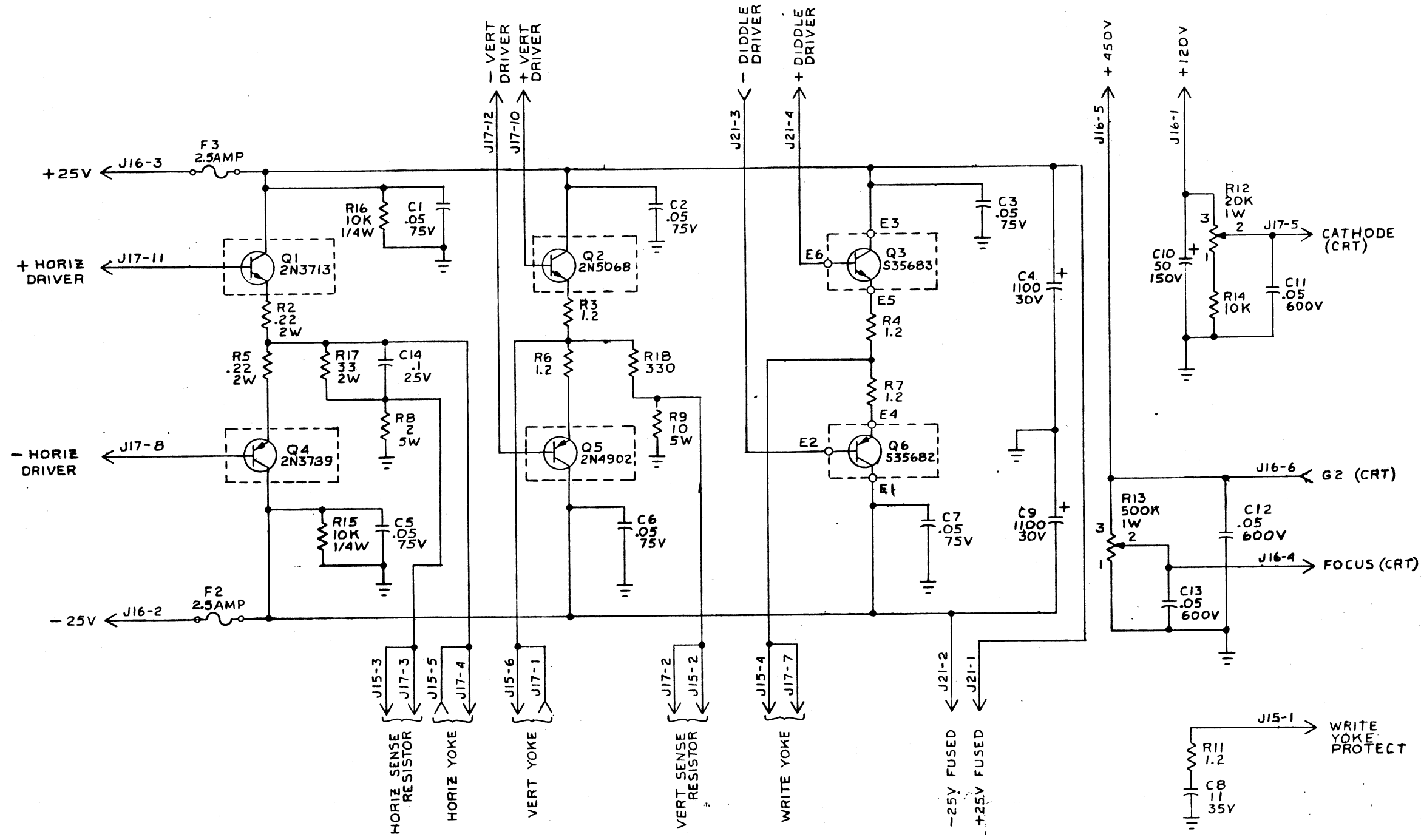
RELEASE FOR PRODUCTION

DATAPOINT CONFIDENTIAL INFORMATION

	8725 DATAPoint BL. SAN ANTONIO, TEXAS 78229 812-999-6829	SIZE D	DWG NO. 03-1-01-0021	REV J
	SCALE NONE	SHEET 2 OF 2		

K&E 9-918- FORMAT B

REVISIONS				
ZONE	LET	DESCRIPTION	DATE	APPROVED
	E	REPLACES REV D WITH CHANGES SEE DCN 2139	4-7-71	[Signature]
	F	INCORP EO#4327	4-2-71	[Signature]



DATAPOINT CONFIDENTIAL INFORMATION

6. COMPONENTS SHOWN INSIDE DOTTED LINE MOUNTED ON ASSY 03-1-09-0006 (HEAT SINK)
5. ALL CAPACITANCE VALUES ARE IN MICROFARADS, ± %.
4. ALL RESISTOR VALUES ARE IN OHMS, ± 5%, ½ W.
3. LOGIC SYMBOLS PER MIL-STD-806, ELECTRONIC SYMBOLS PER USA-STD-Y32.2-67.
2. NUMBERS SHOWN BELOW REFERENCE DESIGNATION WITHIN LOGIC SYMBOLS ARE SEGMENTS OF VENDOR PART NUMBERS DESCRIBED IN PARTS LIST.
1. PARTIAL REFERENCE DESIGNATIONS ARE SHOWN; -FOR COMPLETE DESIGNATION PREFIX WITH UNIT AND/OR ASSEMBLY DESIGNATION A15A1.

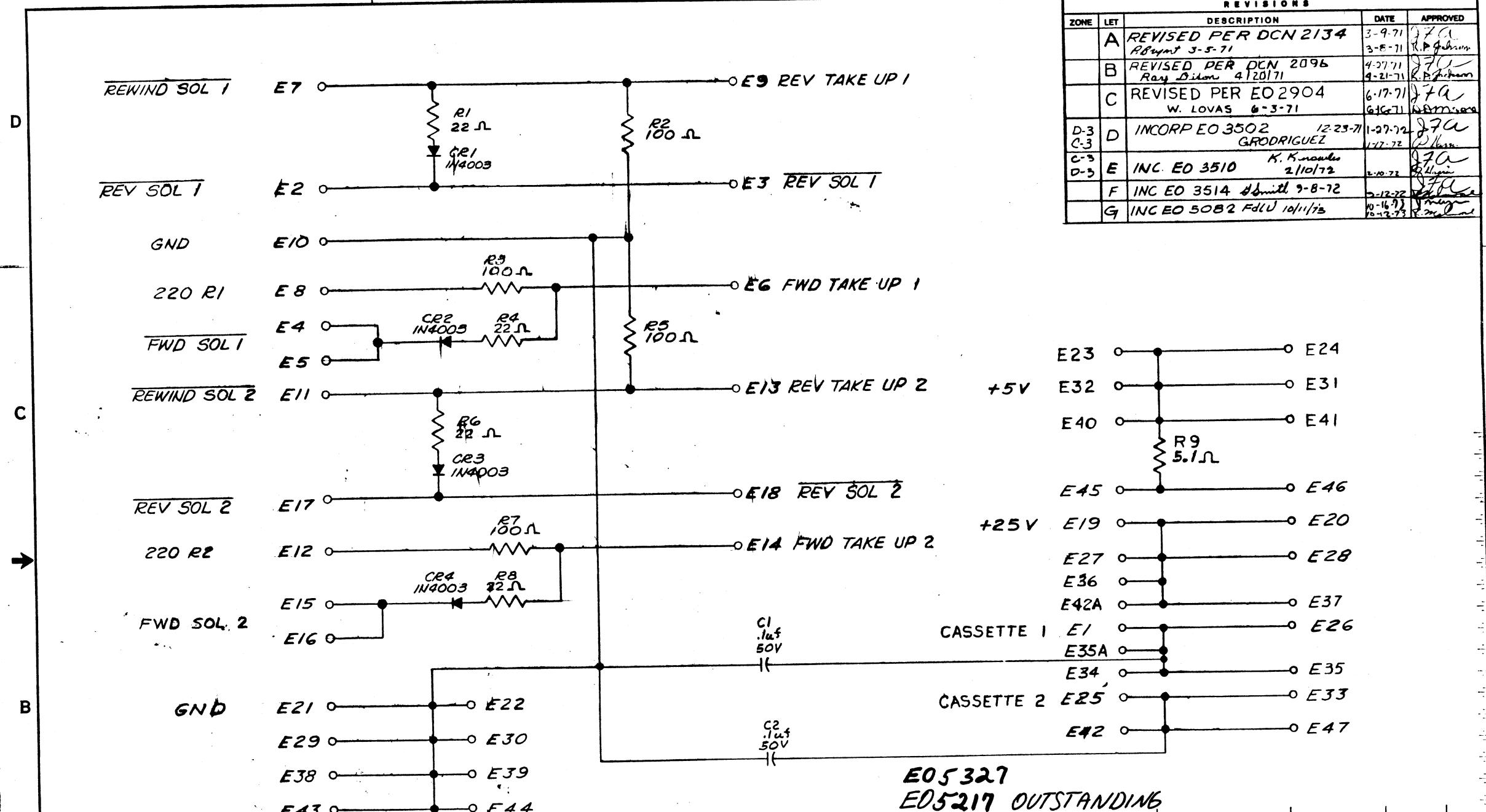
NOTES: (UNLESS OTHERWISE SPECIFIED)

LAST USED	NOT USED
Q6	
F3	F1
R18	R1,10
C14	

QTY	CTC PART NO.	NOMENCLATURE	VENDOR PART NO.	VENDOR	REF DES	ITEM
		PARTS LIST				
		UNLESS OTHERWISE SPECIFIED ALL DIMENSIONS ARE IN INCHES AND INCLUDE APPLIED FINISH.		DRAWN: W. LOVAS DATE: 3-25-71		
		TOLERANCES		CHECKED: K.P. Johnson DATE: 4-2-71		
		FRACTIONS ±		DESIGN ENGINEER: [Signature] DATE: 4-7-71		
		DECIMALS		PROJECT ENGINEER: [Signature] DATE: 4-7-71		
		X ±		MATERIAL:		
		XX ±		DATE: 4-7-71		
		XXX ±				
				Computer Terminal Corporation 9725 DATAPoint DR. SAN ANTONIO, TEXAS 78229 812-500-6600		
				SCHEMATIC DIAGRAM DEFLECTION HEAT SINK A15A1		
		SIZE D	DWG NO. 03-1-01-0025	REV F		
		SCALE NONE		SHEET 1 OF		

03-1-01-0025

4 3 2 1



REVISIONS				
ZONE	LET	DESCRIPTION	DATE	APPROVED
	A	REVISED PER DCN 2134 R. B. Smith 3-5-71	3-9-71	J. F. A.
	B	REVISED PER DCN 2096 Ray Dixon 4/20/71	4-27-71	J. F. A.
	C	REVISED PER EO 2904 W. LOVAS 6-3-71	4-21-71	J. F. A.
D-3	D	INCORP EO 3502 GRODRIGUEZ 12-23-71	1-27-72	J. F. A.
C-3	E	INC EO 3510 K. Knowles 2/10/72	2-10-72	J. F. A.
D-3	F	INC EO 3514 Smith 9-8-72	2-12-72	J. F. A.
	G	INC EO 5082 FdLJ 10/11/73	10-16-73	J. F. A.

E05327
ED5217 OUTSTANDING

CONFIDENTIAL PROPRIETARY INFORMATION

This item is the property of Datapoint Corporation, San Antonio, Texas, and contains confidential and trade secret information. This item may not be transferred from the custody or control of Datapoint except as authorized by Datapoint and then only by way of loan for limited purposes. It must not be reproduced in whole or in part and must be returned to Datapoint upon request and in all events upon completion of the purpose of the loan.
Neither this item nor the information it contains may be used by or disclosed to persons not having a need for such use or disclosure consistent with the purpose of the loan, without the prior written consent of Datapoint.

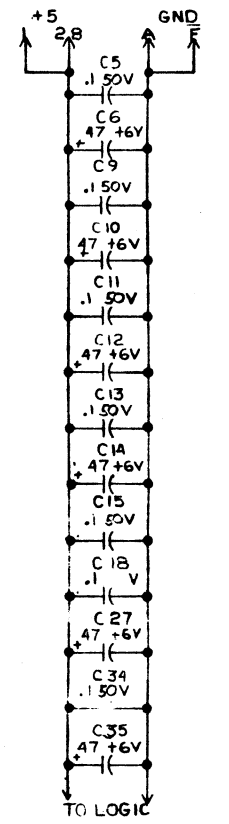
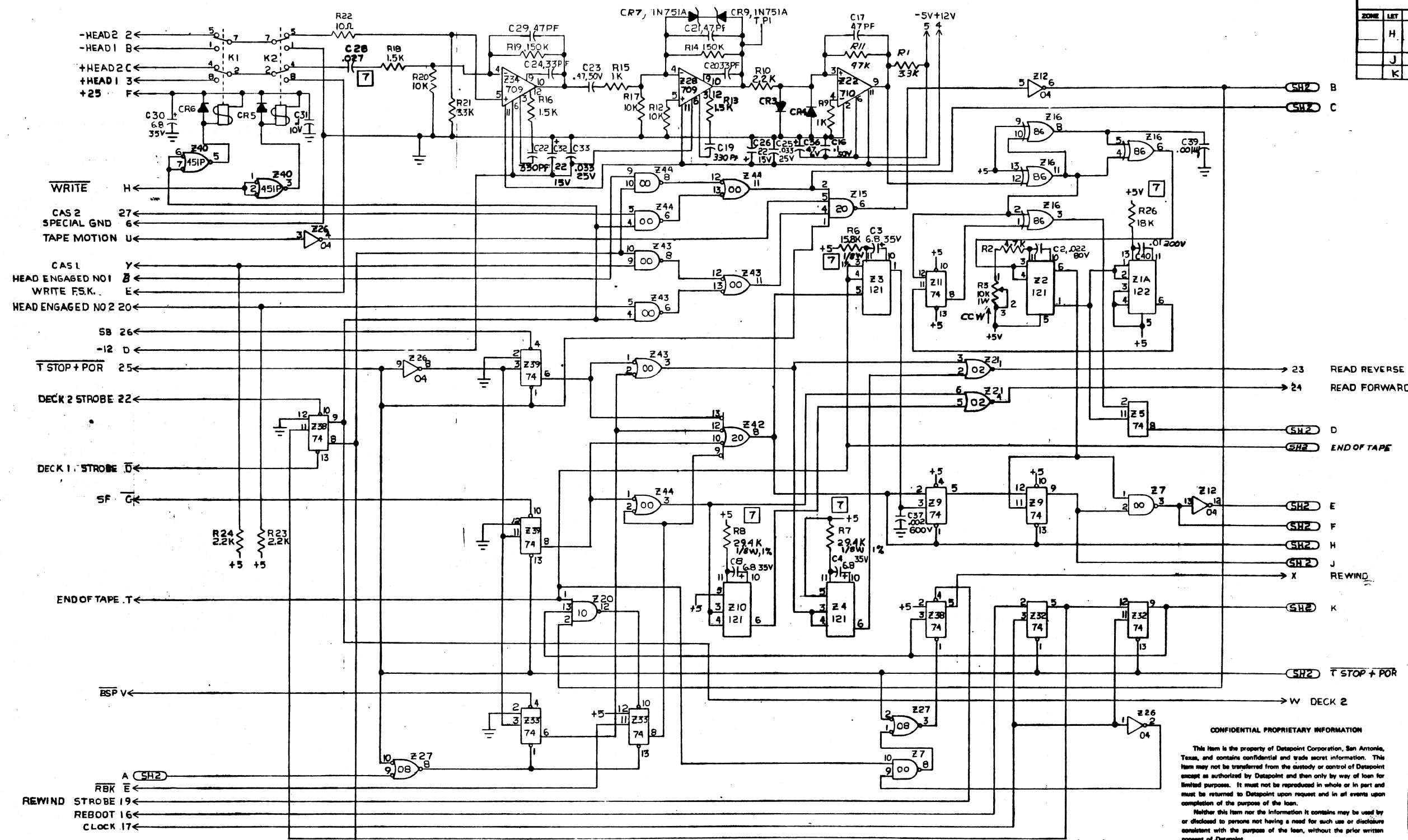
1. ALL RESISTORS ARE 1/4 W, 5%.
NOTES: (UNLESS OTHERWISE SPECIFIED)

QTY	CTC PART NO.	NOMENCLATURE	VENDOR PART NO.	VENDOR	REF DES	ITEM

PARTS LIST				
USED ON	DRAWN	DATE	Computer Terminal Corporation	
2200	<i>D.M. Lambert</i>	12-13-70	 8725 DATAPoint DR. SAN ANTONIO, TEXAS 78228 512-890-6520	
1E00-EO-1-EO	<i>N.R. [Signature]</i>	12-15-70		
	<i>J.F. [Signature]</i>	12-15-70		
	<i>J.F. [Signature]</i>	12-15-70		
	<i>Joe [Signature]</i>	12-19-70		
MATERIAL:				
UNLESS OTHERWISE SPECIFIED ALL DIMENSIONS ARE IN INCHES AND INCLUDE APPLIED FINISH.				
TOLERANCES:				
FRACTIONS ±				
ANGLES ±				
X - ±				
DECIMALS				
XX - ±				
XXX - ±				
SIZE		DWG NO.		REV
C		03-1-01-0031		1G
SCALE		SHEET		OF 1

03-1-01-0031
REV G B

REVISIONS				
ZONE	LET	DESCRIPTION	DATE	APPROVED
H		INCORP. EO 3936 & 3947 4279	2-6-73	
		REVISED & REDRAWN	2-2-73	
J		INC. EO. 4332, 4335	9-27-73	
K		INC. EO 5099, 444	10-17-73	



CONFIDENTIAL PROPRIETARY INFORMATION

This item is the property of Datapoint Corporation, San Antonio, Texas, and contains confidential and trade secret information. This item may not be transferred from the custody or control of Datapoint except as authorized by Datapoint and then only by way of loan for limited purposes. It must not be reproduced in whole or in part and must be returned to Datapoint upon request and in all events upon completion of the purpose of the loan.

Whether this item nor the information it contains may be used or disclosed to persons not having a need for such use or disclosure consistent with the purpose of the loan, without the prior written consent of Datapoint.

REF	TYPE	INPUT	OUTPUT	SPARES
Z40	08	1,2,4,5,6	6,11	
Z21	08	8,9	10	
Z19	08	8,9	10	
Z5	08	1,2,4,5,6	6,11	
Z6	08	1,2	3	

REF DES	TYPE
R26	10K ± 1% 1/8W
R7, R8	124K ± 1% 1/8W
R25	26K ± 1% 1/8W
R6	15K ± 1% 1/8W
C28	.01 μF 10% 100V

-802

T10	2
709	8 16
164	7 14
122	7 14
121	7 14
90	10 5
75	12 5
74	7 14
04	7 14
TYPE	GND +5

40	7	14
20	7	14
10	7	14
08	7	14
03	7	14
02	7	14
00	7	14
86	7	14
45	4	8
TYPE	GND +5	

Z44	Z26
K2	CR9 CR8
CR9	CR8
C40	C1
451	4 8
LAST USED	NOT USED
REF DES	

QTY	CTC PART NO.	NOMENCLATURE	VENDOR PART NO.	VENDOR	REF DES	ITEM

PARTS LIST			
UNLESS OTHERWISE SPECIFIED ALL DIMENSIONS ARE IN INCHES AND INCLUDE APPLIED FINISH.	DRAWN	DATE	
TOLERANCES	Checked	3-3-73	
FRACTIONS ±			
DECIMALS			
ANGLES ±			
X ±			
XX ±			
XXX ±			
MATERIAL:	DESIGN ENGINEER	DATE	
	PROJECT ENGINEER	DATE	

Computer Terminal Corporation		8725 DATAPoint DR. SAN ANTONIO, TEXAS 78229 512-399-6888
SCHEMATIC DIAGRAM DEMODULATOR 7 1/2 & 15 IPS A3		
SIZE D	DWG NO. 03-1-01-0032	REV K
SCALE NGNF	SHEET 1 OF 2	

NOTES: (UNLESS OTHERWISE SPECIFIED)

7 VALUES CHANGE FOR COMPATIBILITY WITH 15 I.R.S. TAPE DECK PER TABLE A

6 ALL DIODE ARE IN91A

5 ALL CAPACITANCE VALUES ARE IN MICROFARADS

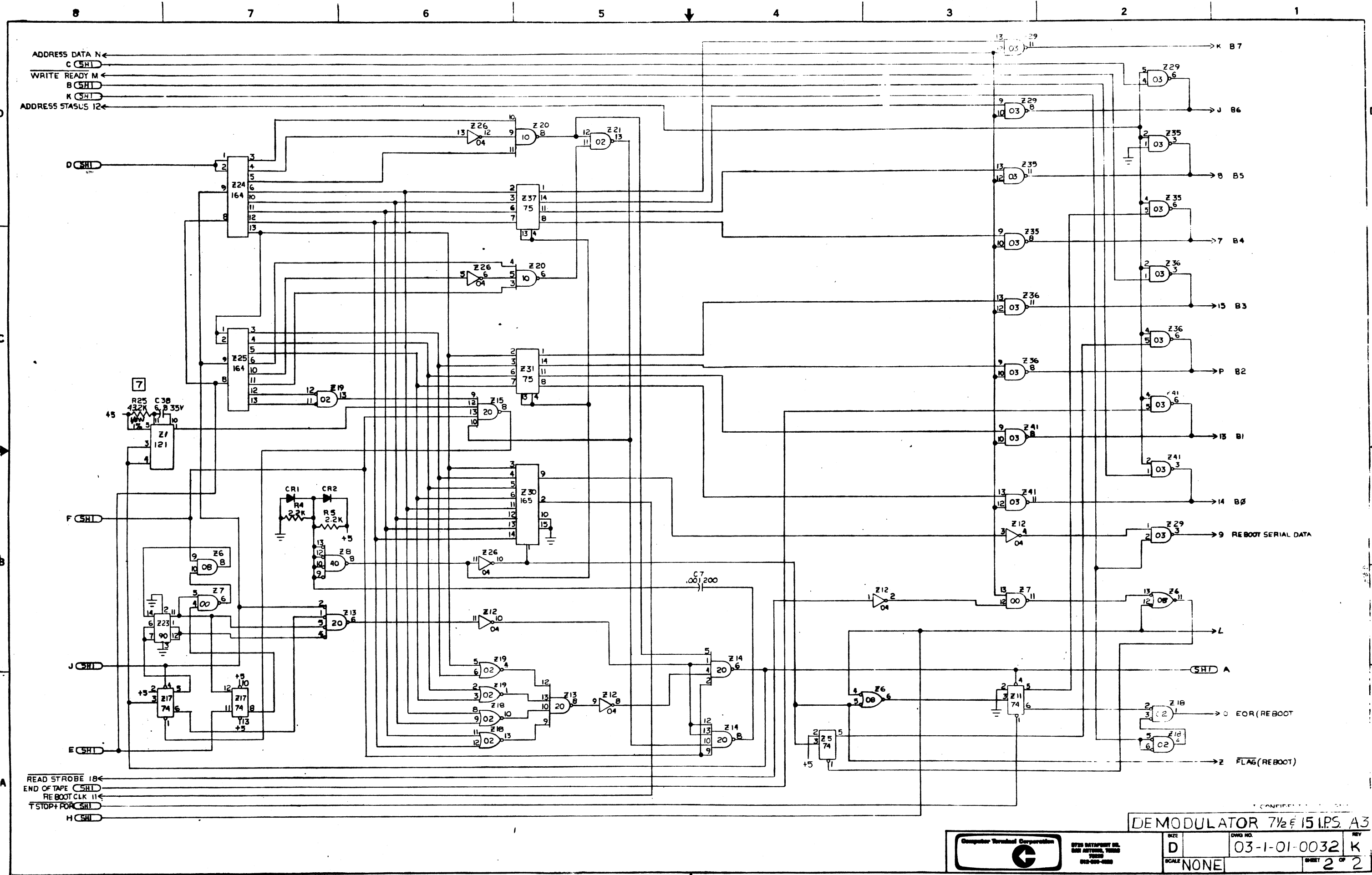
4 ALL RESISTOR VALUES ARE IN OHMS, ± 5%, 1/4W

3 LOGIC SYMBOLS PER USA-STD-Y32.14, ELECTRONIC SYMBOLS PER USA-STD-Y32.2-67

2 NUMBERS SHOWN WITHIN LOGIC SYMBOLS

1 PARTIAL REFERENCE DESIGNATIONS ARE SHOWN; FOR COMPLETE DESIGNATION PREFIX WITH UNIT AND/OR ASSEMBLY DESIGNATION AS

REV 03-1-01-0032

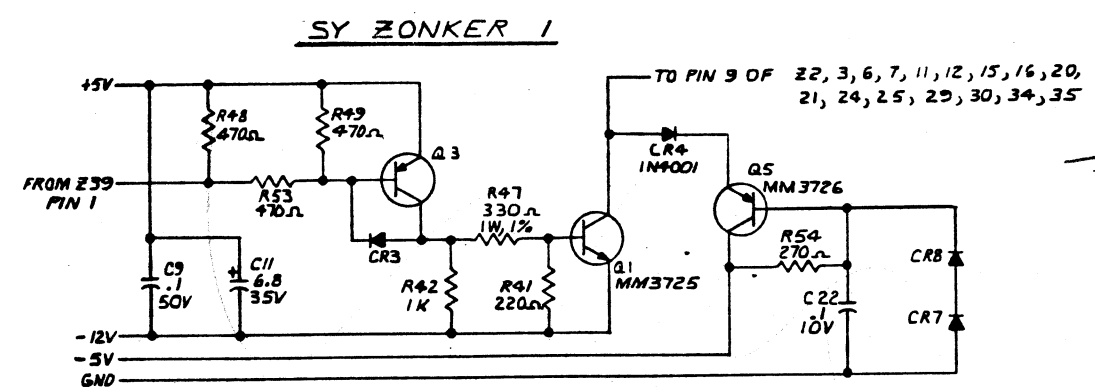


DEMODULATOR 7 1/2 x 15 I.P.S. A3

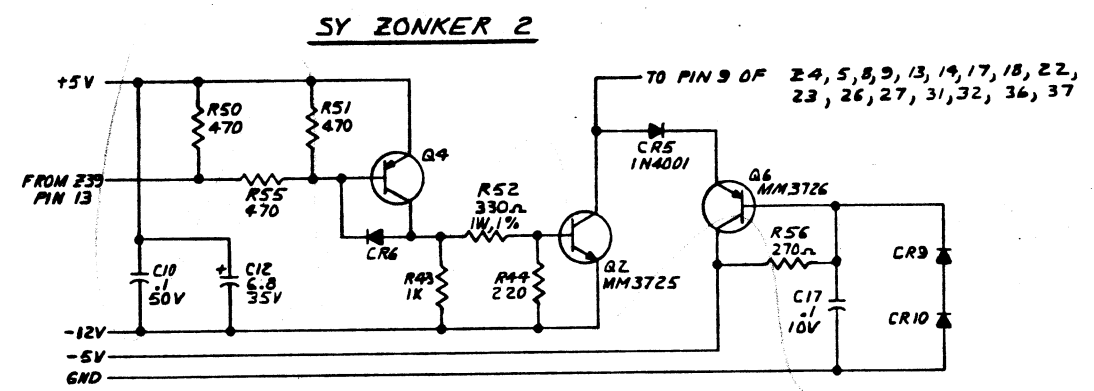


SIZE	D	DWG NO.	03-1-01-0032	REV	K
SCALE	NONE	SHEET	2	OF	2

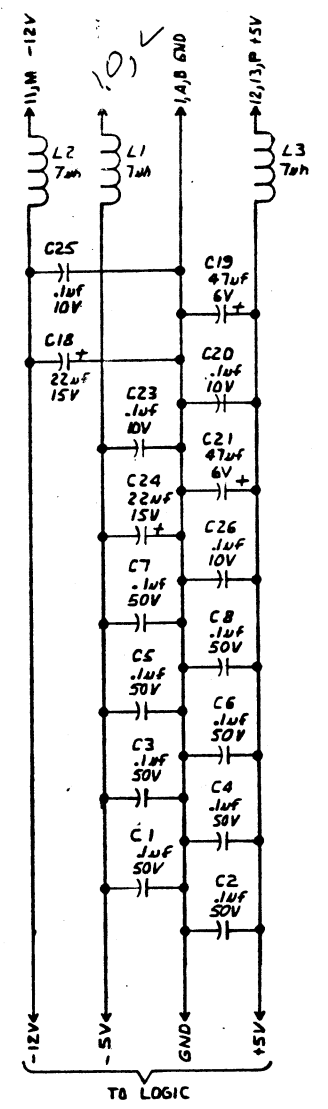
REVISIONS				
ZONE	LET	DESCRIPTION	DATE	APPROVED
A		REVISED PER ENGR CHANGE 6.54	7-7-71	[Signature]
B		INCORP E.O. 3866	9-15-72	[Signature]
C		INCORP E.O. 2875, 2878 DELETE N J LOCK	2-27-73	[Signature]
D		REDRAWN FROM F SIZE TO D SIZE NO E.O. CHANGE		



Micro 4
7 10
1
+5



7 10
1
+5



DATAPOINT CONFIDENTIAL INFORMATION

ED 5210 OUTSTANDING

5. NUMBERS SHOWN WITHIN LOGIC SYMBOLS ARE SEGMENTS.
OF VENDOR PART NUMBERS DESCRIBED IN PARTS LIST.
4. TRANSISTORS ARE 2N2905.
3. DIODES ARE 1N914
2. CAPACITORS ARE IN MICROFARADS.
1. ALL RESISTORS ARE IN OHMS, ± 5%, 1/4W.

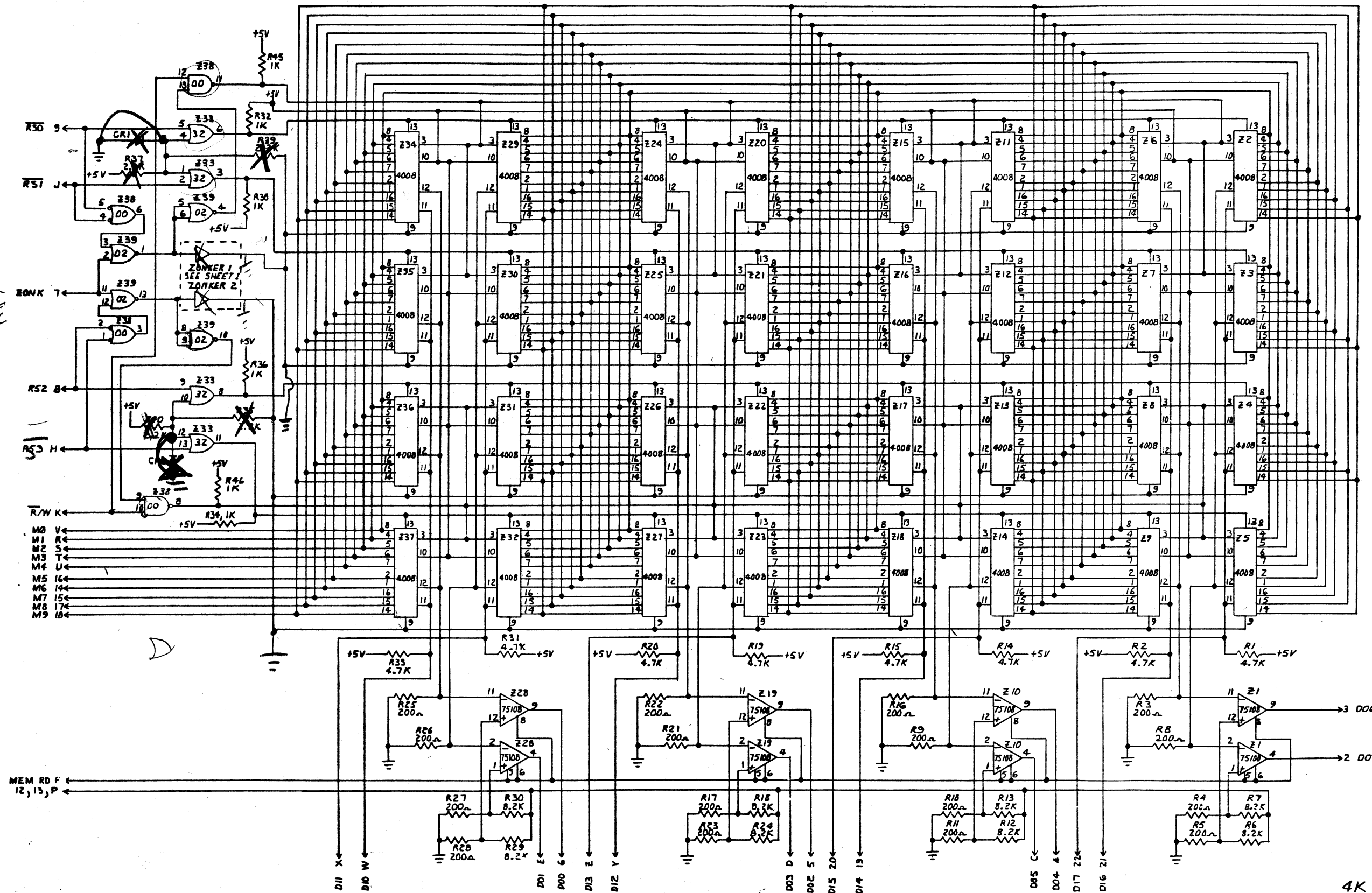
NOTES: (UNLESS OTHERWISE SPECIFIED)

MK4008P	-	-	10
75108A	7	13	14
7432	7	-	14
7402	7	-	14
7400	7	-	14
TYPE IC	GND	-5V	-5V

L3	
CR10	
R56	C13
C26	C14
Q6	C15
Z39	C16
LAST USED	
REF DES	

QTY	CTC PART NO.	NOMENCLATURE	VENDOR PART NO.	VENDOR	REF DES	ITEM
PARTS LIST						
UNLESS OTHERWISE SPECIFIED ALL DIMENSIONS ARE IN INCHES AND INCLUDE APPLIED FINISH.		DATE	Computer Terminal Corporation			
TOLERANCES		DATE	7725 DATAPoint DR. SAN ANTONIO, TEXAS 78229 512-590-4329			
FRACTIONS ±		DATE	SCHEMATIC DIAGRAM			
ANGLES ±		DATE	4 K RANDOM ACCESS MEMORY A9			
X ±		DATE	SIZE D DWG NO. 03-1-01-0033			
DECIMALS		DATE	REV C			
XXX ±		DATE	SHEET OF 2			
MATERIAL:		DATE				

03-1-01-0033C



DATAPOINT CONFIDENTIAL INFORMATION

4K RANDOM ACCESS MEMORY

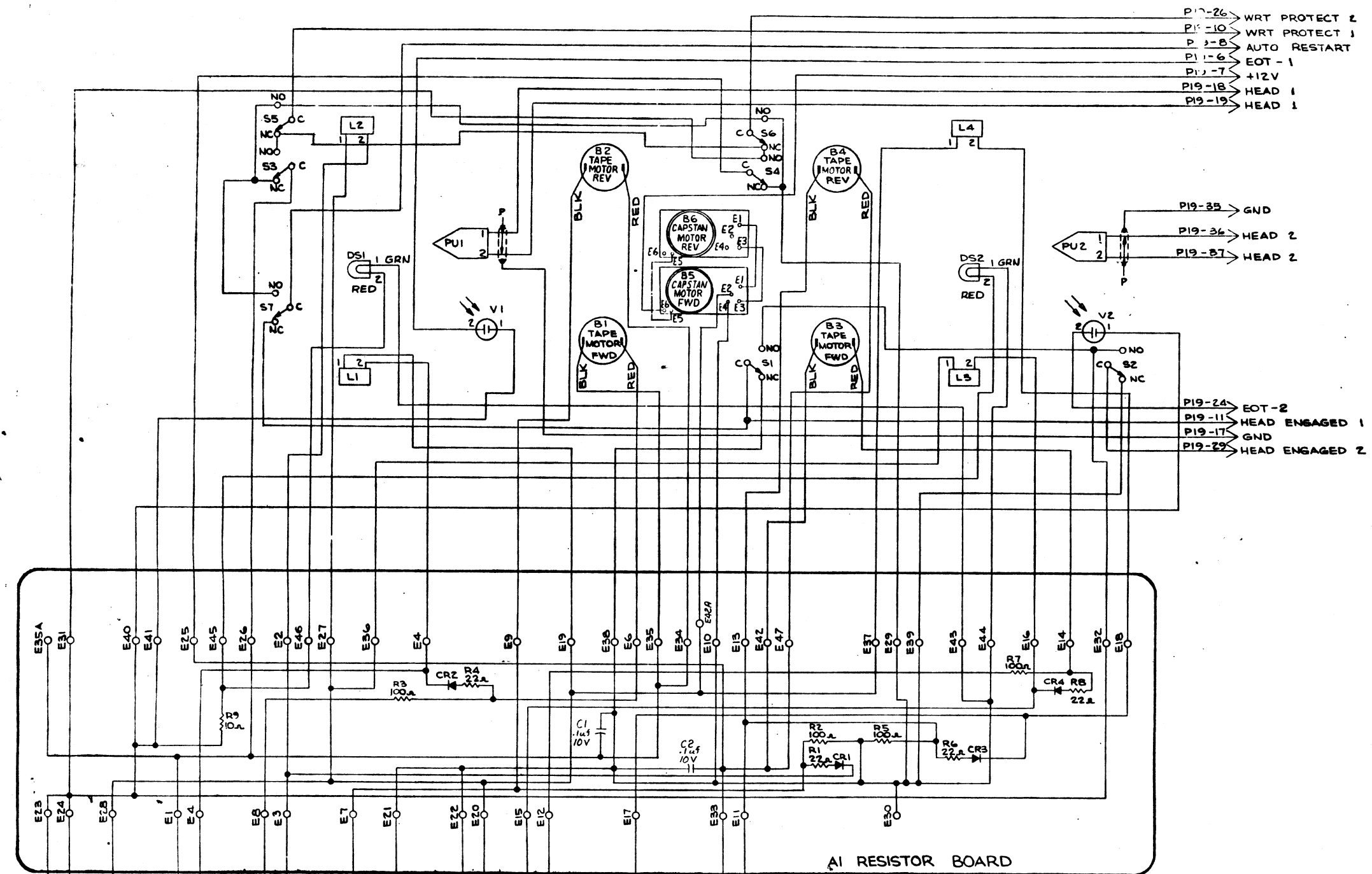
	8725 DATAPoint DR. SAN ANTONIO, TEXAS 78228 512-998-0888	SIZE D	DWG. NO. 03-1-01-0033	REV C
	SCALE		SHEET 2 OF 2	

C
B
A

C
B
A



REVISIONS				
ZONE	LET	DESCRIPTION	DATE	APPROVED
A	INC	EO 35104 3502	2/10/72	
B	INC	EO 32783514	4/17/72	
C	INCORP	EO 32783514	7/20/72	
D	INCORP	EO 4204	7/26/72	



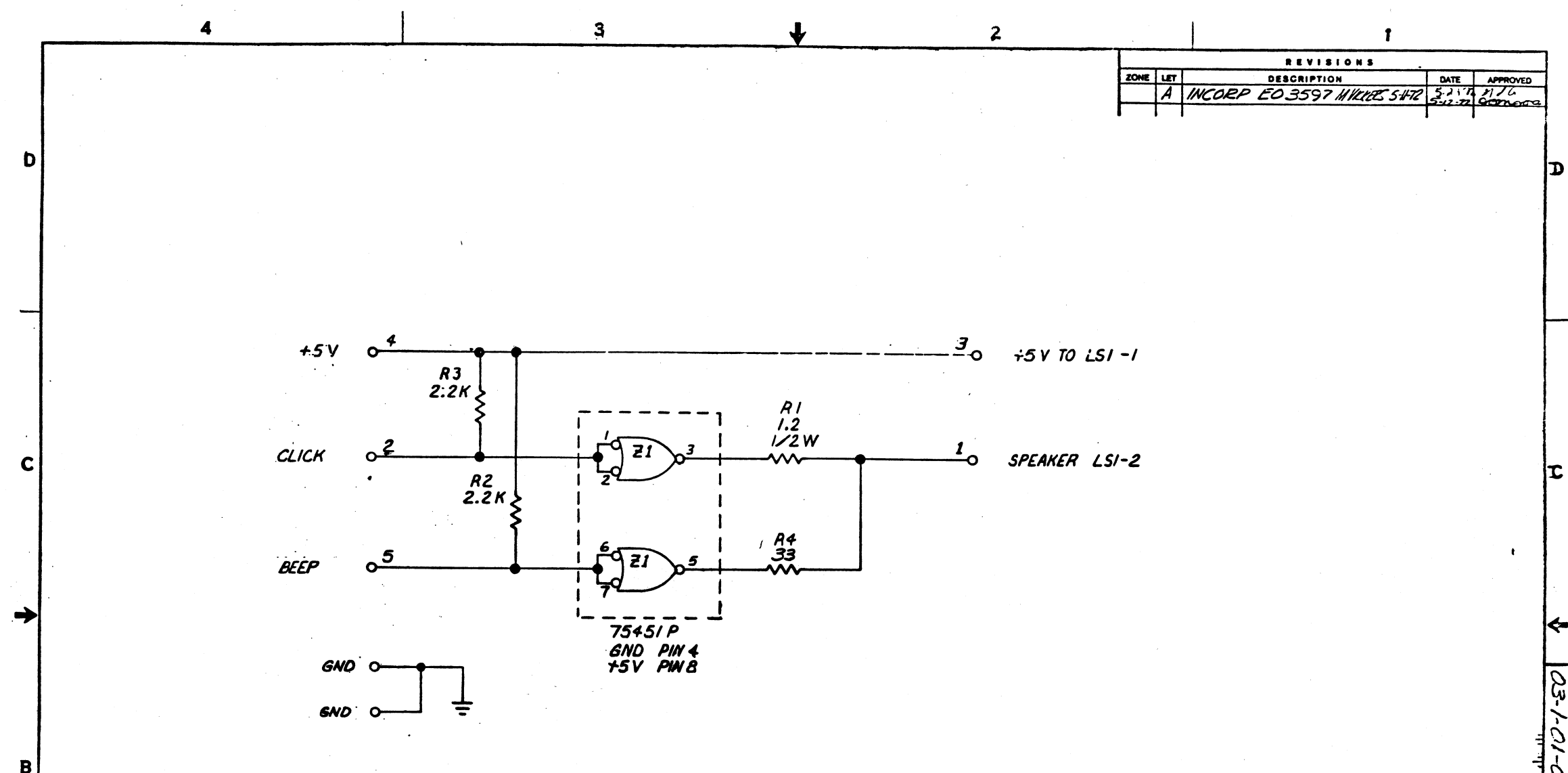
- PI9-26 WRT PROTECT 2
- PI9-10 WRT PROTECT 1
- P 2-8 AUTO RESTART
- PI9-6 EOT - 1
- PI9-7 +12V
- PI9-18 HEAD 1
- PI9-19 HEAD 1
- PI9-35 GND
- PI9-36 HEAD 2
- PI9-37 HEAD 2
- PI9-24 EOT - 2
- PI9-11 HEAD ENGAGED 1
- PI9-17 GND
- PI9-29 HEAD ENGAGED 2

DATAPoint CONFIDENTIAL INFORMATION

1. ALL RESISTORS 1/4W, 5% .
 NOTES: (UNLESS OTHERWISE SPECIFIED)

QTY	CTC PART NO.	NOMENCLATURE	VENDOR PART NO.	VENDOR	REF DES	ITEM
		PARTS LIST				
		UNLESS OTHERWISE SPECIFIED ALL DIMENSIONS ARE IN INCHES AND INCLUDE APPLIED FINISH.		DRAWN: <i>K. Knudsen</i> CHECKED: <i>[Signature]</i> DESIGN ENGINEER: <i>[Signature]</i> PROJECT ENGINEER: <i>[Signature]</i>	DATE: 7/23/71 DATE: 7/26/71 DATE: 7/26/71 DATE: 7-26-71	9729 DATAPoint DR. SAN ANTONIO, TEXAS 78229 812-696-4529
		TOLERANCES FRACTIONS ± ANGLES ± DECIMALS JOX ± JOX ±		COMPUTER TERMINAL CORPORATION SCHEMATIC DIAGRAM, 2200 TAPE DECK		
				SIZE: D DWG NO.: 03-1-01-0037 SCALE: NONE	REV: D SHEET: 1 OF 1	

REVISIONS			
ZONE	LET	DESCRIPTION	DATE
A		INCORP EO 3597 IN KICKS 5-472	5-25-71
			5-12-71



DATAPOINT CONFIDENTIAL INFORMATION

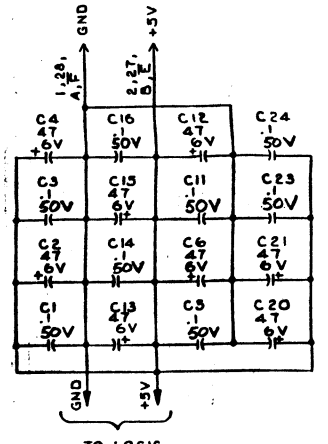
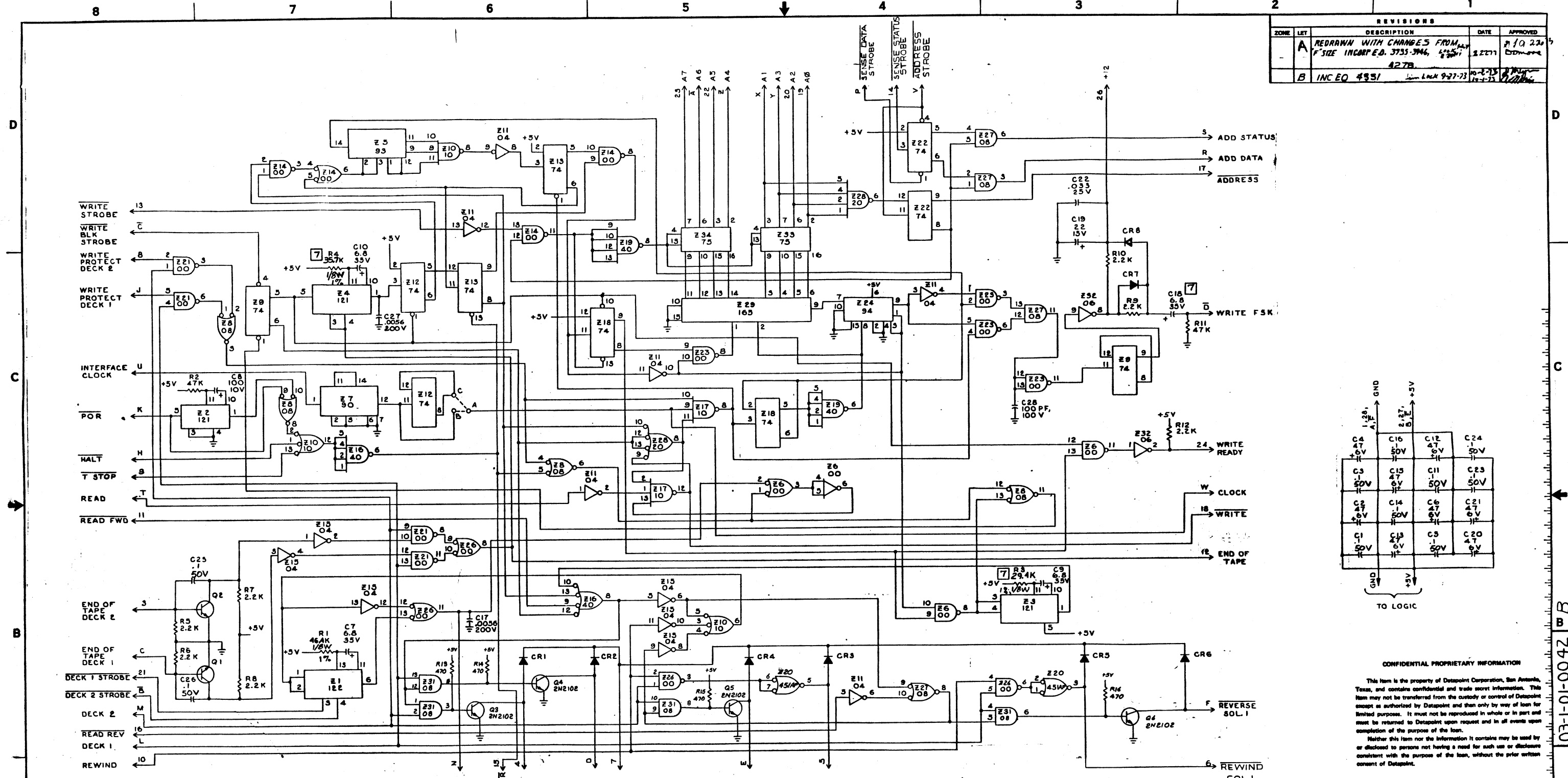
- 4. ALL RESISTORS SPECIFIED IN OHMS 1/4 W, ±5%
 - 3. LOGIC SYMBOLS PER MIL-STD-806, ELECTRONIC SYMBOLS PER USA-STD-Y32.2-67
 - 2. NUMBERS SHOWN BELOW REFERENCE DESIGNATION WITHIN LOGIC SYMBOLS ARE SEGMENTS OF VENDOR PART NUMBERS DESCRIBED IN PARTS LIST
 - 1. PARTIAL REFERENCE DESIGNATIONS ARE SHOWN; FOR COMPLETE DESIGNATION PREFIX WITH UNIT AND/OR ASSEMBLY DESIGNATION
- NOTES: (UNLESS OTHERWISE SPECIFIED)

QTY	CTC PART NO.	NOMENCLATURE	VENDOR PART NO.	VENDOR	REF DES	ITEM

PARTS LIST		DRAWN		DATE	
2200	USED ON	U.T. Hester	8-4-71	Computer Terminal Corporation	
		K.P. Johnson	9-7-71	9725 DATAPoint DR. SAN ANTONIO, TEXAS 78229 512-696-4528	
		J.F. Alexander	9-7-71	SCHEMATIC DIAGRAM	
				SPEAKER DRIVER CARD	
				SIZE C	DWG NO. 03-1-01-0039
				SCALE NONE	REV A
					SHEET 1 OF 1

03-1-01-0039 A

REVISIONS				
ZONE	LET	DESCRIPTION	DATE	APPROVED
A		REDRAWN WITH CHANGES FROM P. 10, 27, P. SIZE INCORP. E.D. 3733-3746, 4278	2/27/73	D. M. D.
B		INC EQ 4331	10-2-73	



CONFIDENTIAL PROPRIETARY INFORMATION

This item is the property of Datapoint Corporation, San Antonio, Texas, and contains confidential and trade secret information. This item may not be transferred from the custody or control of Datapoint except as authorized by Datapoint and then only by way of loan for limited purposes. It must not be reproduced in whole or in part and must be returned to Datapoint upon request and in all events upon completion of the purpose of the loan.

Neither this item nor the information it contains may be used by or disclosed to persons not having a need for such use or disclosure consistent with the purpose of the loan, without the prior written consent of Datapoint.

8. ALL DIODES ARE 1N514
7. VALUES CHANGE TO OPERATE WITH 15 I.P.S. REEL TO REEL TAPE DECK. SEE TABLE A.
6. ALL TRANSISTORS ARE 2N219A
5. ALL CAPACITANCE VALUES ARE IN MICROFARADS.
4. ALL RESISTOR VALUES ARE IN OHMS, $\pm 5\%$, 1/4 W
3. LOGIC SYMBOLS PER USA-STD-Y32.14, ELECTRONIC SYMBOLS PER USA-STD-Y32.2-67
2. NUMBERS SHOWN BELOW REFERENCE DESIGNATION WITHIN LOGIC SYMBOLS ARE SEGMENTS OF VENDOR PART NUMBERS DESCRIBED IN PARTS LIST.
1. PARTIAL REFERENCE DESIGNATIONS ARE SHOWN; FOR COMPLETE DESIGNATION PREFIX WITH UNIT AND/OR ASSEMBLY DESIGNATION A2
- NOTES: (UNLESS OTHERWISE SPECIFIED)

-802

C	VALUE	TOLERANCE	VOLTS	WATTAGE
C18	1uF	$\pm 10\%$	35V	
R3	12.4K	$\pm 1\%$		1/8W
R4	21.5K	$\pm 1\%$		1/8W
R1	47K	$\pm 5\%$		1/4W

Z NO	TYPE	INPUT	OUTPUT
Z32	7406	3, 5, 13, 11	4, 6, 12, 10
Z17	7410	3, 4, 5	6

Z	TYPE	NOT USED	REF DES
Z34	725, 30		
Q4			
CR8			
C28			
R16			

7494	12	3
7493	10	3
75451AP	4	8
74165	8	16
74122	7	14
74121	7	14
7490	10	3
7475	12	3
7474	7	14
7440	7	14
7420	7	14
7410	7	14
7408	7	14
7406	7	14
7404	7	14
7400	7	14

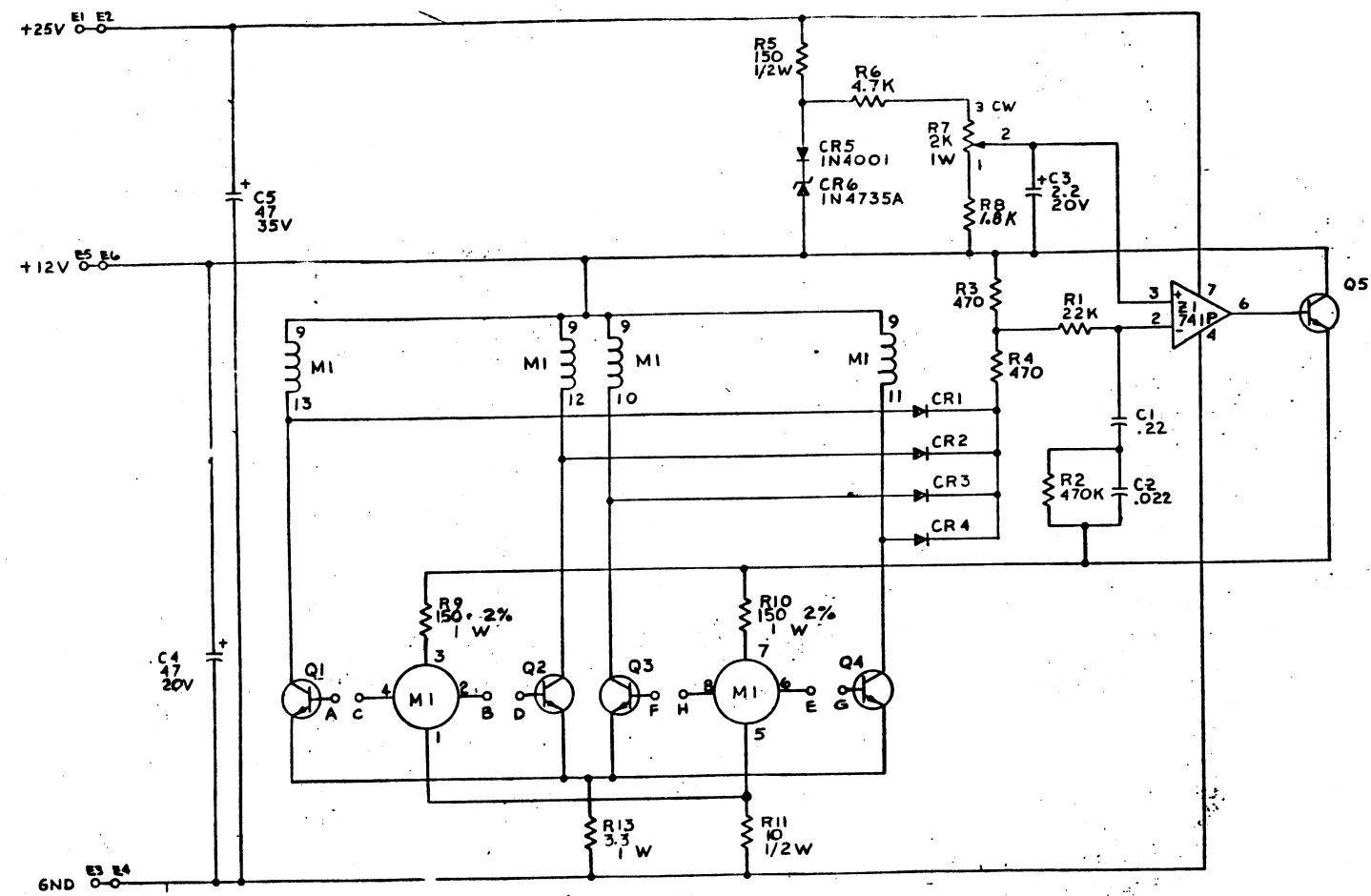
QTY	CTC PART NO.	NOMENCLATURE	VENDOR PART NO.	VENDOR	REF DES	ITEM

PARTS LIST			
UNLESS OTHERWISE SPECIFIED ALL DIMENSIONS ARE IN INCHES AND INCLUDE APPLIED FINISH.	DRAWN	DATE	
TOLERANCES	CHECKED	DATE	
FRACTIONS \pm	DESIGN ENGINEER	DATE	
ANGLES \pm	PURCHASER	DATE	
DECIMALS \pm			
X \pm			
JOX \pm			
JOX \pm			
MATERIAL:			

Computer Terminal Corporation	8725 DATAPoint DR. SAN ANTONIO, TEXAS 78229	812-988-6889
SCHEMATIC DIAGRAM MODULATOR II		
SIZE D	DWG NO. 03-1-01-0042	REV B
SCALE NONE	SHEET 1	OF 1

03-1-01-0042 B

REVISIONS				
ZONE	LET	DESCRIPTION	DATE	APPROVED
A		INC. E.O. # 3740	7/20/72	M. J. EDWARDS
B		INCORPORATED 3743, 3745, 3747, 3748 WAS F. S. C. 4 WAS 47 UFD 15Y 2-15-72	7-20-72 2-27-73	M. J. EDWARDS



10. TRANSISTORS ARE 2N2102
 9. CR5 & CR6 ARE SELECTED FOR TEMPERATURE COMPENSATION. THE IN4001 (CR5) HAS A NEGATIVE TEMPERATURE COEFFICIENT OF -0.0016 VOLT PER DEGREE CENTIGRADE. THE IN4735A (CR6) HAS A POSITIVE TEMPERATURE COEFFICIENT OF $+0.00235$ VOLTS PER DEGREE CENTIGRADE.
 AT 50°C CR5 HAS A NOMINAL VOLTAGE OF $.700$ VOLTS AND CR6 6.130 VOLTS.
 THE COMBINED VOLTAGE AND TEMPERATURE COEFFICIENT OF CR5 & CR6 IS 6.200 VOLTS WITH $+0.00075$ VOLTS PER DEGREE CENTIGRADE. THIS RESULTANT COMPENSATES THE SERVO SYSTEM OVER THE 25°C TO 75°C RANGE.

JUMPER LIST			
DASH NO	DESCRIPTION	FROM	TO
-D01	FORWARD	A	C
		B	D
		E	G
		F	H
		G	I
-D02	REVERSE	A	B
		C	D
		E	F
		G	H

8. MITI MOTOR, BRUSHLESS D.C., SIEMAN TAD4002-0A
 7. NONE
 6. ALL DIODES ARE IN514
 5. ALL CAPACITANCE VALUES ARE IN MICROFARADS.
 4. ALL RESISTOR VALUES ARE IN OHMS, 1/4W, 5%
 3. LOGIC SYMBOLS PER USA-STD-Y32.14, ELECTRONIC SYMBOLS PER USA-STD-Y32.2-67.
 2. NUMBERS SHOWN BELOW REFERENCE DESIGNATION WITHIN LOGIC SYMBOLS ARE SEGMENTS OF VENDOR PART NUMBERS DESCRIBED IN PARTS LIST.
 1. PARTIAL REFERENCE DESIGNATION ARE SHOWN FOR COMPLETE DESIGNATION PREFIX WITH UNIT AND/OR ASSEMBLY DESIGNATION.

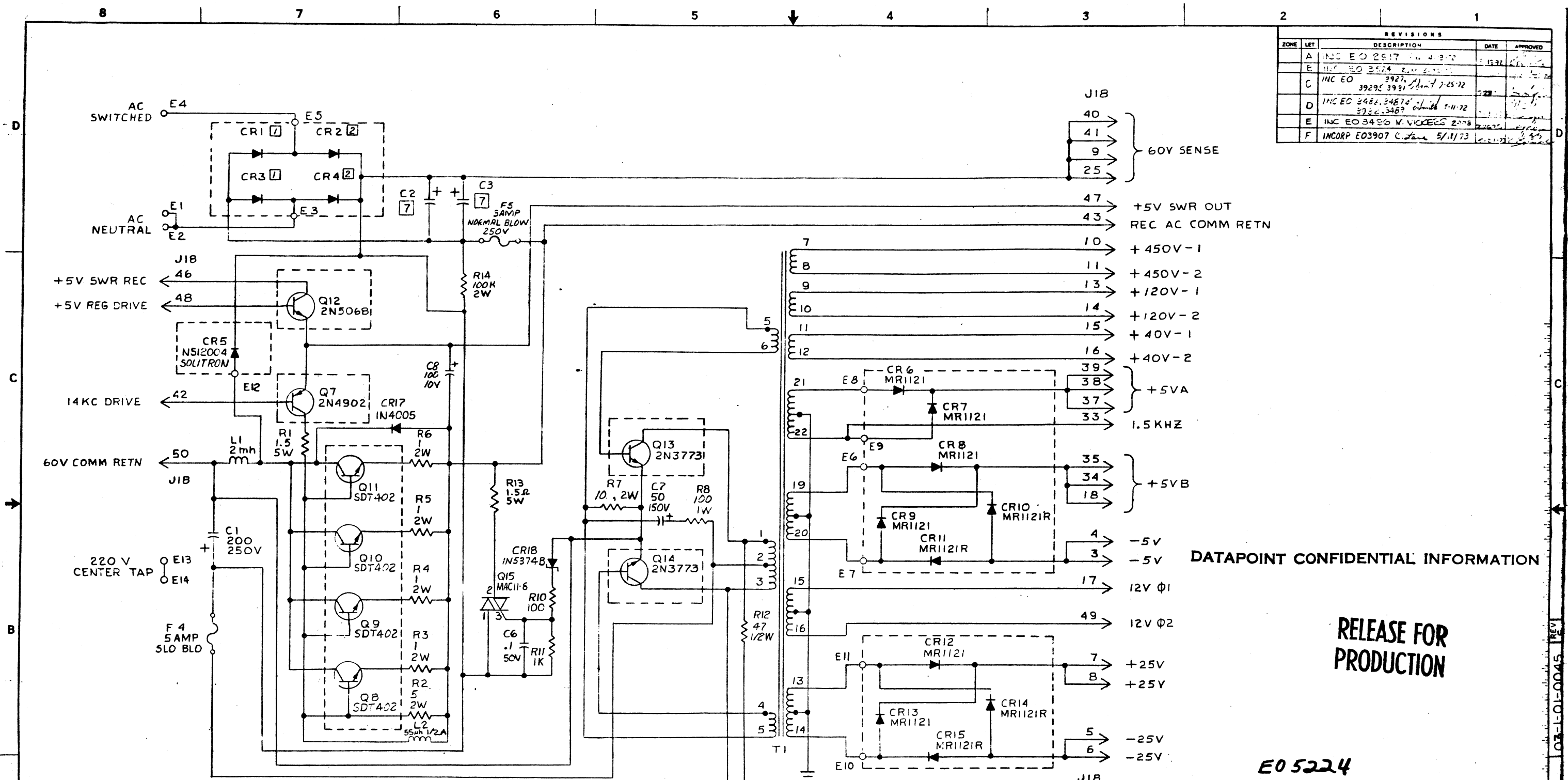
Z1	
Q5	
CR6	
C5	
R13	R12
LAST USED	NOT USED

DATAPOINT CONFIDENTIAL INFORMATION

QTY	CTC PART NO.	NOMENCLATURE	VENDOR PART NO.	VENDOR	REF DES	ITEM
PARTS LIST						
2200	USED ON	UNLESS OTHERWISE SPECIFIED ALL DIMENSIONS ARE IN INCHES AND INCLUDE APPLIED FINISH.	DATE	Computer DataPoint Corporation		
		TOLERANCES	DATE	8700 DATAPoint Bldg. 500 WESTCOTE, TEXAS 75220 812-900-1880		
2200	USED ON	FRACTIONS ±	DATE	SCHEMATIC DIAGRAM,		
		DECIMALS ±	DATE	TAPE MOTOR		
2200	USED ON	X ±	DATE	SIZE		
		XXX ±	DATE	D		
MATERIAL:		PROJECT NUMBER	DATE	DWG NO.		
				03-1-01-0043 B		
				REV		
				SCALE NONE		
				SHEET 1 OF 1		

03-1-01-0043 B

REVISIONS				
ZONE	LET	DESCRIPTION	DATE	APPROVED
A		INC EO 2917	4-3-72	
E		INC EO 3474	2-11-72	
C		INC EO 3921, 3921, 3931	7-25-72	
D		INC EO 3481, 3487, 3487	5-11-72	
E		INC EO 3486 W. VICKERS	2-27-72	
F		INCPOR EO3907 C. Lane	5/11/73	



- 7. FOR 220V USE 75UF, 400V CAPACITOR FOR 110V USE 200UF, 250V CAPACITOR.
- 6. COMPONENTS SHOWN INSIDE DOTTED LINES ARE MOUNTED ON ASSY 03-1-09-0017 (HEATSINK ASSY)
- 5. ALL CAPACITANCE VALUES ARE IN MICROFARADS
- 4. ALL RESISTOR VALUES ARE IN OHMS ± 5%
- 3.

- 2. FOR 220V USE MR1130 FOR 110V USE MR1125
- 1. FOR 220V USE MR1120R FOR 110V USE MR12ER

NOTES: (UNLESS OTHERWISE SPECIFIED)

E16 E15
TO HV P.S.

Q15	Q1-5
F5	F1-3
T1	
L2	
R14	R9
CR18	CR16
C6	C4,5
LAST USED	NOT USED

QTY	CTC PART NO.	NOMENCLATURE	VENDOR PART NO.	VENDOR	REF DES	ITEM

PARTS LIST			
DATE	DATE	DATE	DATE
3-15-72	3-21-72	3-21-72	3-21-72

UNLESS OTHERWISE SPECIFIED ALL DIMENSIONS ARE IN INCHES AND INCLUDE APPLIED FINISH.	DRAWN M VICKERS	DATE 3-15-72
TOLERANCES	CHECKED	DATE 3-21-72
FRACTIONS ±	DESIGN ENGINEER	DATE 3-21-72
DECIMALS	PROJECT ENGINEER	DATE 3-21-72
XXX ±		

Computer Terminal Corporation	8775 DATAPoint DR. SARASOTA, TEXAS 78729 812-806-4529
SCHEMATIC DIAGRAM 110V/220V POWER SUPPLY DC/DC CONVERTER A15-A2	
SIZE D	DWG NO. 03-1-01-0045
SCALE NONE	REV F

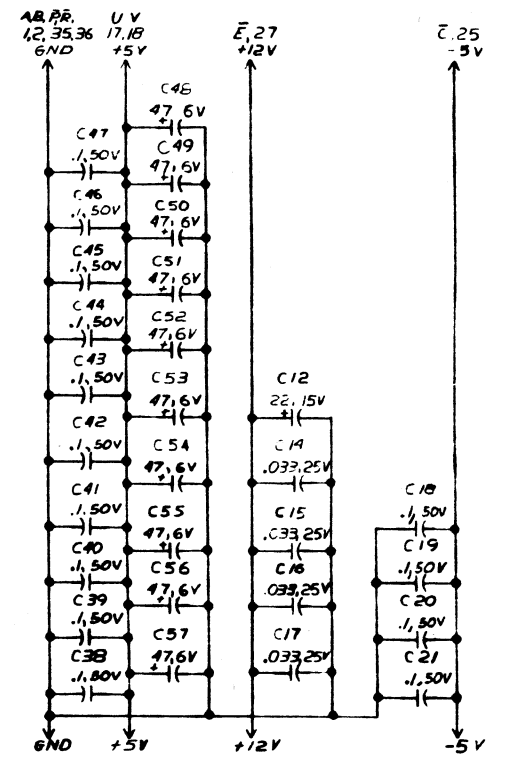
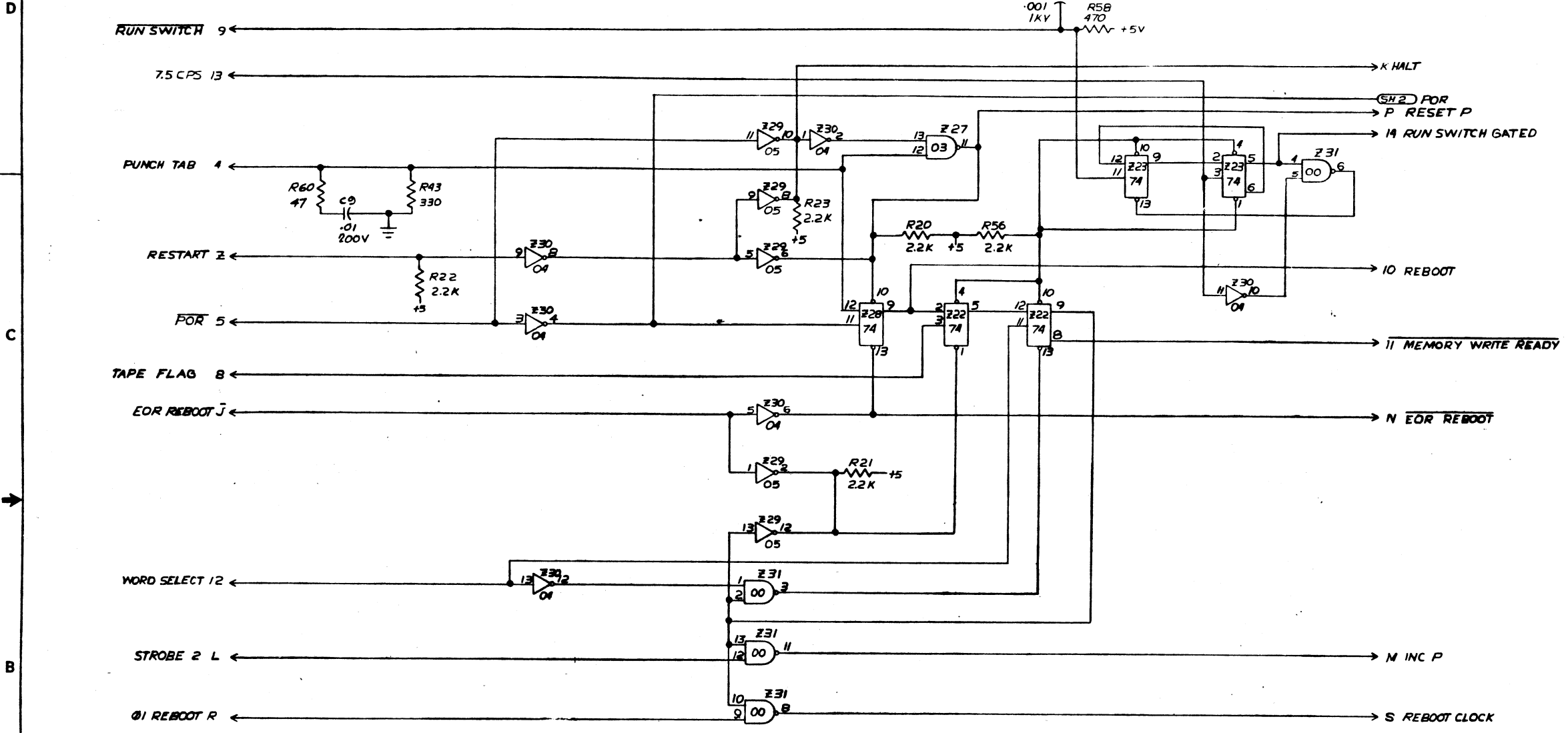
DATAPoint CONFIDENTIAL INFORMATION

RELEASE FOR PRODUCTION

E05224
E04479 OUTSTANDING

03-1-01-0045 REV E

REVISIONS				
ZONE	LET	DESCRIPTION	DATE	APPROVED
A	INC EO #3638	AMCRIN B-10-77	8-18-77	DD MOORE
B	INC EO #3871 & 3939	M VICKERS	8-11-78	DD MOORE
C	INCORP EO 2885	ADD KATAKANA WAS F REDRAWN TO D NO EOC CHANGE	11-8-78	DD MOORE
D	INC EO 4281 & 5005	SDCU @-27-78	1-27-78	DD MOORE



Z I/O	TYPE	INPUT	OUTPUT
Z29	7405	3	4
Z27	7403	9,10	8
Z27	7403	4,5	6
Z27	7403	1,2	3
Z26	7405	10	11
Z26	7405	8	9
Z16	7406	10	11
Z16	7406	8	9
Z16	7406	5	6
Z16	7406	1	2
Z13	7474	2,3	5,6
Z7	7410	1,2,13	12
Z7	7410	3,4,5	6
Z5	7427	3,4,5	6
Z10	TYPE	INPUT	OUTPUT
SPARES			

CONFIDENTIAL PROPRIETARY INFORMATION
 This item is the property of Datapoint Corporation, San Antonio, Texas, and contains confidential and trade secret information. This item may not be transferred from the custody or control of Datapoint except as authorized by Datapoint and then only by way of loan for limited purposes. It must not be reproduced in whole or in part and must be returned to Datapoint upon request and in all events upon completion of the purpose of the loan.
 Neither this item nor the information it contains may be used by or disclosed to persons not having a need for such use or disclosure consistent with the purpose of the loan, without the prior written consent of Datapoint.

EO 5249, 5323 OUTSTANDING

QTY	CTC PART NO.	NOMENCLATURE	VENDOR PART NO.	VENDOR	REF DES	ITEM
02	02	UNLESS OTHERWISE SPECIFIED ALL DIMENSIONS ARE IN INCHES AND INCLUDE APPLIED FINISH.				
02	02	TOLERANCES FRACTIONS ± ANGLES ± DECIMALS ± X ± XX ± XXX ±				
02	02	MATERIAL:				
02	02	DATE: 3-16-78				
02	02	DATE: 4-9-78				
02	02	DATE:				
<p>Computer Terminal Corporation 8725 DATAPoint DR. SAN ANTONIO, TEXAS 78228 812-999-0888</p> <p>SCHEMATIC DIAGRAM KEYBOARD LOGIC II</p> <p>SIZE: D DWS NO: 03-1-01-00-46 REV: D</p> <p>SCALE: NONE SHEET: 1 OF 2</p>						

6 FOR SWEDISH UNIT, Z3 USE 1301015
 FOR KATAKANA UNIT AND SWEDISH II UNIT, Z3 USE 1702A (PROGRAMMED BY DATAPoint ENGINEER)
 5 ALL TRANSISTORS ARE 2N 2219A
 4 ALL DIODES ARE 1N914
 3 ALL CAPACITANCE VALUE ARE MICROFARADS.
 2 ALL RESISTOR VALUE ARE IN OHMS, ± 5%, 1/4 W
 1 NUMBERS SHOWN BELOW E WITHIN LOGIC SYMBOLS ARE SEGMENTS OF VENDOR PART NUMBERS DESCRIBED IN PARTS LIST

KATAKANA	H	K
	J	E
	B	C
SWEDISH I	H	K
SWEDISH II	D	E
JUMPERS	B	C
DESCRIPTION	FROM	TO
JUMPER TABLE		

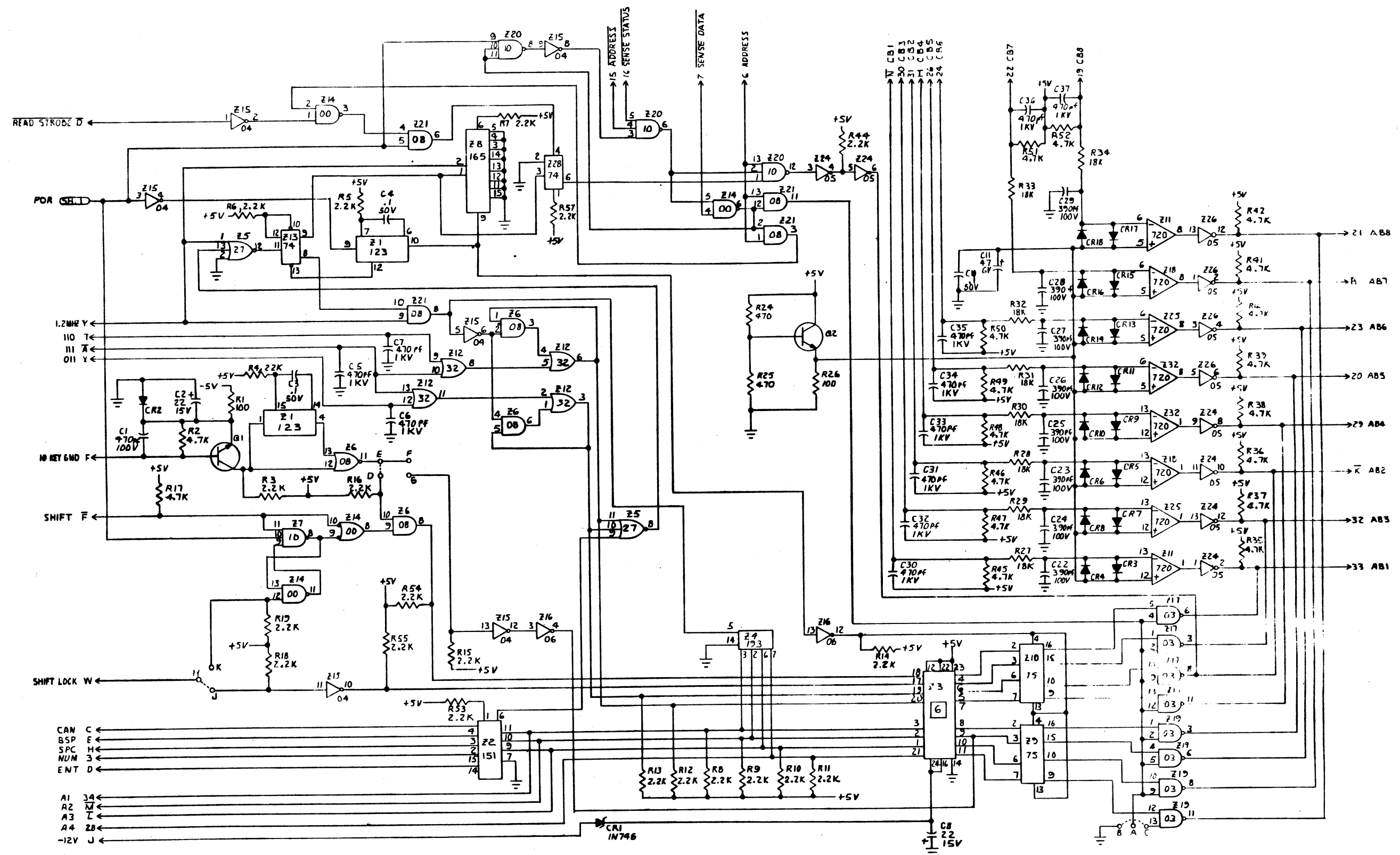
74193	8	16	
74165	8	15	
74151	8	16	
74123	8	16	
74175	12	5	
74174	7	14	
74132	7	14	
74127	7	14	
74110	7	14	
74108	7	14	
74106	7	14	
74105	7	14	
74104	7	14	
74103	7	14	
74100	7	14	
72720	11	3/0	7,14
IC TYPE	GND	V5	V12

Q2	
CR18	
Z32	
C58	C13
R60	
LAST USED	NOT USED
REF DES	REF DES

NOTES: (UNLESS OTHERWISE SPECIFIED)

8 7 6 5 4 3 2 1

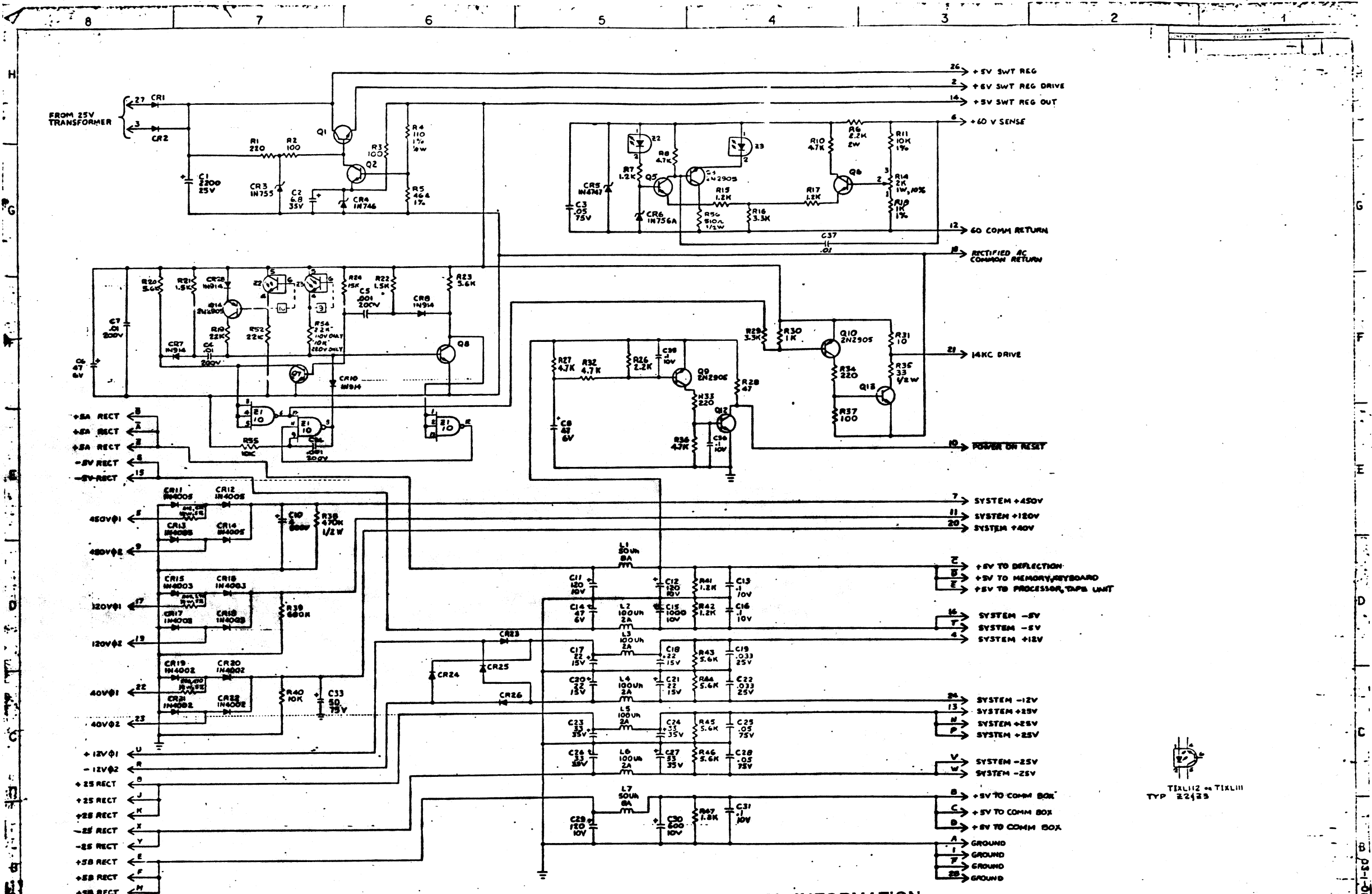
D
C
B
A



SCHMATIC DIAGRAM
KEYBOARD LOGIC II

Computer Terminal Corporation 	DATE: 03-1-01	REV: A9
	03-1-01-0046	
SCALE:	DWG NO:	SHEET 2 OF 2

MADE IN U.S.A. - FORM 104-B



- NOTES: (UNLESS OTHERWISE SPECIFIED)
- 1. I.C. 81-6ND SHOULD GO TO PIN 18, VCC SHOULD GO TO PIN A.
 - 2. ALL TRANSISTORS ARE 2N2219A.
 - 3. ALL DIODES ARE IN4001.
 - 4. ALL CAPACITANCE VALUES ARE IN MICROFARADS.
 - 5. ALL RESISTOR VALUES ARE IN OHMS, ± 5%, 1/4 W.
 - 6. NUMBERS SHOWN BELOW REFERENCE DESIGNATION WITHIN LOGIC SYMBOLS ARE SEGMENTS OF VENDOR PART NUMBERS DESCRIBED IN PARTS LIST.

PROVISIONS ARE MADE ON THE ARTWORK FOR A 10K RESISTOR (R53) BETWEEN E3 PIN 6 AND E3 PIN 8, BUT NOT USED.

PROVISIONS ARE MADE ON THE ARTWORK FOR A 10K RESISTOR (R53) BETWEEN E3 PIN 6 AND E3 PIN 8, BUT NOT USED.

DATEPOINT CONFIDENTIAL INFORMATION

R56	10K		
CR78	1N4001		
C37	C9.3K		
A14	0A.11		
L7			
23			
LAST USED	NOT USED		
REF DES			

NONE			
Q NO.	TYPE	INPUT	OUTPUT
SPARES			

10	7	14
I.C. TYPE	GND	+5V

E05246 OUTSTANDING

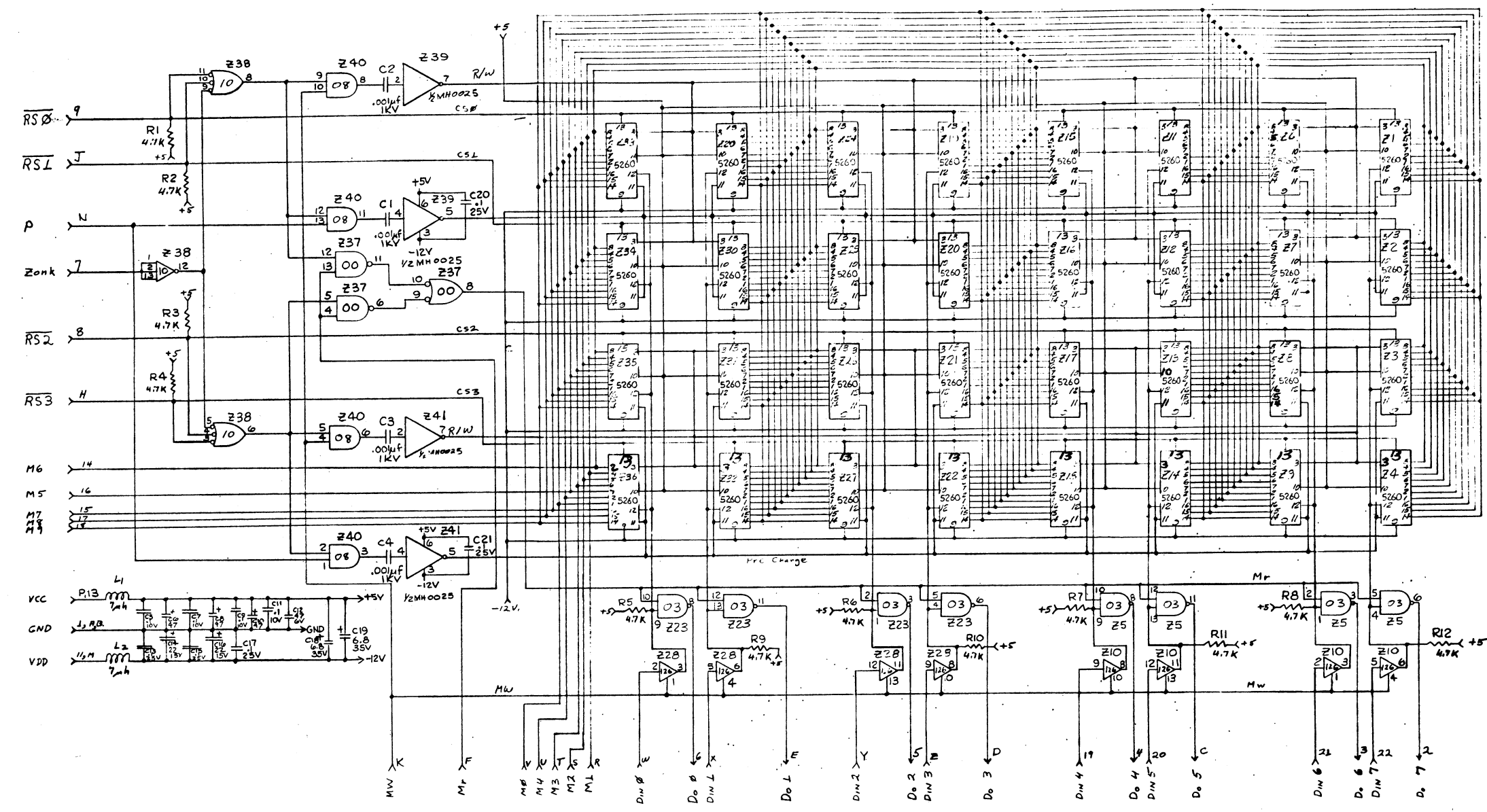
REV	DATE	BY	DESCRIPTION

PARTS LIST	
Q1	2N2219A
Q2	2N2219A
Q3	2N2219A
Q4	2N2219A
Q5	2N2219A
Q6	2N2219A
Q7	2N2219A
Q8	2N2219A
Q9	2N2219A
Q10	2N2219A
Q11	2N2219A
Q12	2N2219A
Q13	2N2219A
Q14	2N2219A
Q15	2N2219A
Q16	2N2219A
Q17	2N2219A
Q18	2N2219A
Q19	2N2219A
Q20	2N2219A
Q21	2N2219A
Q22	2N2219A
Q23	2N2219A
Q24	2N2219A
Q25	2N2219A
Q26	2N2219A
Q27	2N2219A
Q28	2N2219A
Q29	2N2219A
Q30	2N2219A
Q31	2N2219A
Q32	2N2219A
Q33	2N2219A
Q34	2N2219A
Q35	2N2219A
Q36	2N2219A
Q37	2N2219A
Q38	2N2219A
Q39	2N2219A
Q40	2N2219A
Q41	2N2219A
Q42	2N2219A
Q43	2N2219A
Q44	2N2219A
Q45	2N2219A
Q46	2N2219A
Q47	2N2219A
Q48	2N2219A
Q49	2N2219A
Q50	2N2219A
Q51	2N2219A
Q52	2N2219A
Q53	2N2219A
Q54	2N2219A
Q55	2N2219A
Q56	2N2219A
Q57	2N2219A
Q58	2N2219A
Q59	2N2219A
Q60	2N2219A
Q61	2N2219A
Q62	2N2219A
Q63	2N2219A
Q64	2N2219A
Q65	2N2219A
Q66	2N2219A
Q67	2N2219A
Q68	2N2219A
Q69	2N2219A
Q70	2N2219A
Q71	2N2219A
Q72	2N2219A
Q73	2N2219A
Q74	2N2219A
Q75	2N2219A
Q76	2N2219A
Q77	2N2219A
Q78	2N2219A
Q79	2N2219A
Q80	2N2219A
Q81	2N2219A
Q82	2N2219A
Q83	2N2219A
Q84	2N2219A
Q85	2N2219A
Q86	2N2219A
Q87	2N2219A
Q88	2N2219A
Q89	2N2219A
Q90	2N2219A
Q91	2N2219A
Q92	2N2219A
Q93	2N2219A
Q94	2N2219A
Q95	2N2219A
Q96	2N2219A
Q97	2N2219A
Q98	2N2219A
Q99	2N2219A
Q100	2N2219A

SCHEMATIC DIAGRAM
110V/220V POWER SUPPLY
SWITCHING REGULATOR II

03-1-01-0051

REVISIONS				
ZONE	LET	DESCRIPTION	DATE	APPROVED
A		ADD "00" PK 237 VICKERS 11/28/72		

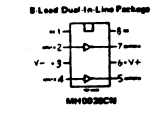
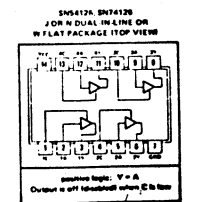
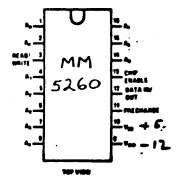


NATIONAL
Memory
Card

DATAPoint CONFIDENTIAL INFORMATION

- ALL CAPACITANCE VALUES ARE IN MICROFARADS
- ALL RESISTOR VALUES ARE IN OHMS, $\pm 5\%$, $1/4 W$
- NUMBERS SHOWN BELOW REFERENCE DESIGNATION WITHIN LOGIC SYMBOLS ARE SEGMENTS OF VENDOR PART NUMBERS DESCRIBED IN PARTS LIST

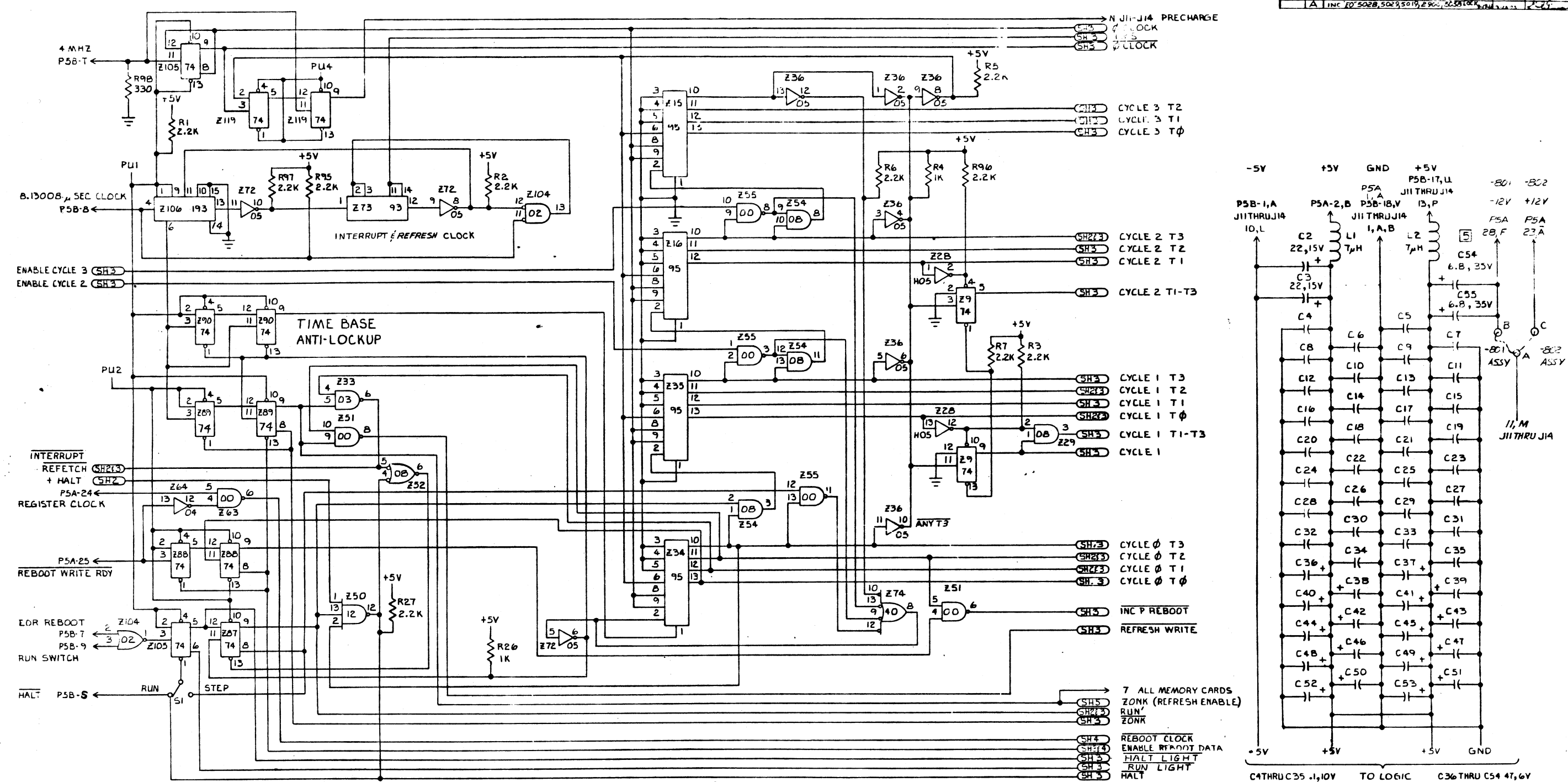
NOTES: (UNLESS OTHERWISE SPECIFIED)



PARTS LIST					
QTY	CTC PART NO.	NOMENCLATURE	VENDOR PART NO.	VENDOR	REF DES
				Computer Terminal Corporation	
				8725 DATAPoint DR. SAN ANTONIO, TEXAS 78228 512-382-8829	
				SCHEMATIC DIAGRAM, 4K RANDOM ACCESS MEMORY III	
				SCALE NONE	

03-1-01-0052 A REV

REVISIONS				
ZONE	LET	DESCRIPTION	DATE	APPROVED
		REVISED AND RE-DRAWN	3-17-73	
A		INC P502B, 502, 501, 2, 90, 20, 50, 10, 1, 2, 3, 4, 5, 6, 7, 8, 9, 10, 11, 12, 13, 14, 15, 16, 17, 18, 19, 20, 21, 22, 23, 24, 25, 26, 27, 28, 29, 30, 31, 32, 33, 34, 35, 36, 37, 38, 39, 40, 41, 42, 43, 44, 45, 46, 47, 48, 49, 50, 51, 52, 53, 54, 55, 56, 57, 58, 59, 60, 61, 62, 63, 64, 65, 66, 67, 68, 69, 70, 71, 72, 73, 74, 75, 76, 77, 78, 79, 80, 81, 82, 83, 84, 85, 86, 87, 88, 89, 90, 91, 92, 93, 94, 95, 96, 97, 98, 99, 100		



DATAPOINT CONFIDENTIAL INFORMATION

- 5 POLARITY SHOWN IN CASE ASSY USING 12V
 1. ALL DIMENSIONS MARKED POUX ARE TIED TO A COMMON PULL-UP RESISTOR. SEE PULL-UP CHART.
 2. NUMBERS SHOWN WITHIN LOGIC SYMBOLS ARE ARGUMENTS OF VENDOR PART NUMBERS DESCRIBED IN PARTS LIST.
 3. ALL TOLERANCE VALUES ARE IN MICROFARADS.
 4. ALL PULL-UP VALUES ARE IN OHMS, 15%, 1/4W.

PUS	R46	SH4
PU4	R10	SH3
PU3	R30	SH4
PU2	R80	SH5
PU1	R1	SH1
PUX	RES	SH
PULL-UP CHART		

REF DES	TYPE	INPUT	OUTPUT
Z74	10	12, 15	6
Z54	08	4, 5	6
Z52	08	12, 13	11
Z11	32	12, 13	11

QTY	CTC PART NO.	NOMENCLATURE	VENDOR PART NO.	VENDOR	REF DES	ITEM
75						
154, 181						
93						
42, 89, 153, 157, 165, 193, 194						
00, 02, 03, 04, 05, 06, 07, 08, 10, 12, 32, 37, 40, 74, 86, 95, 121, 164, 180, DM8094, H01, H05						
I.C. TYPE						

TP2	
DS2	
L2	
R112	
C56	C1
Z121	Z17
LAST USED	NOT USED
REF DES	

QTY	CTC PART NO.	NOMENCLATURE	VENDOR PART NO.	VENDOR	REF DES	ITEM
2200						
C500						
03-1-01-0053						

UNLESS OTHERWISE SPECIFIED ALL DIMENSIONS ARE IN INCHES AND INCLUDE APPLIED FINISH.

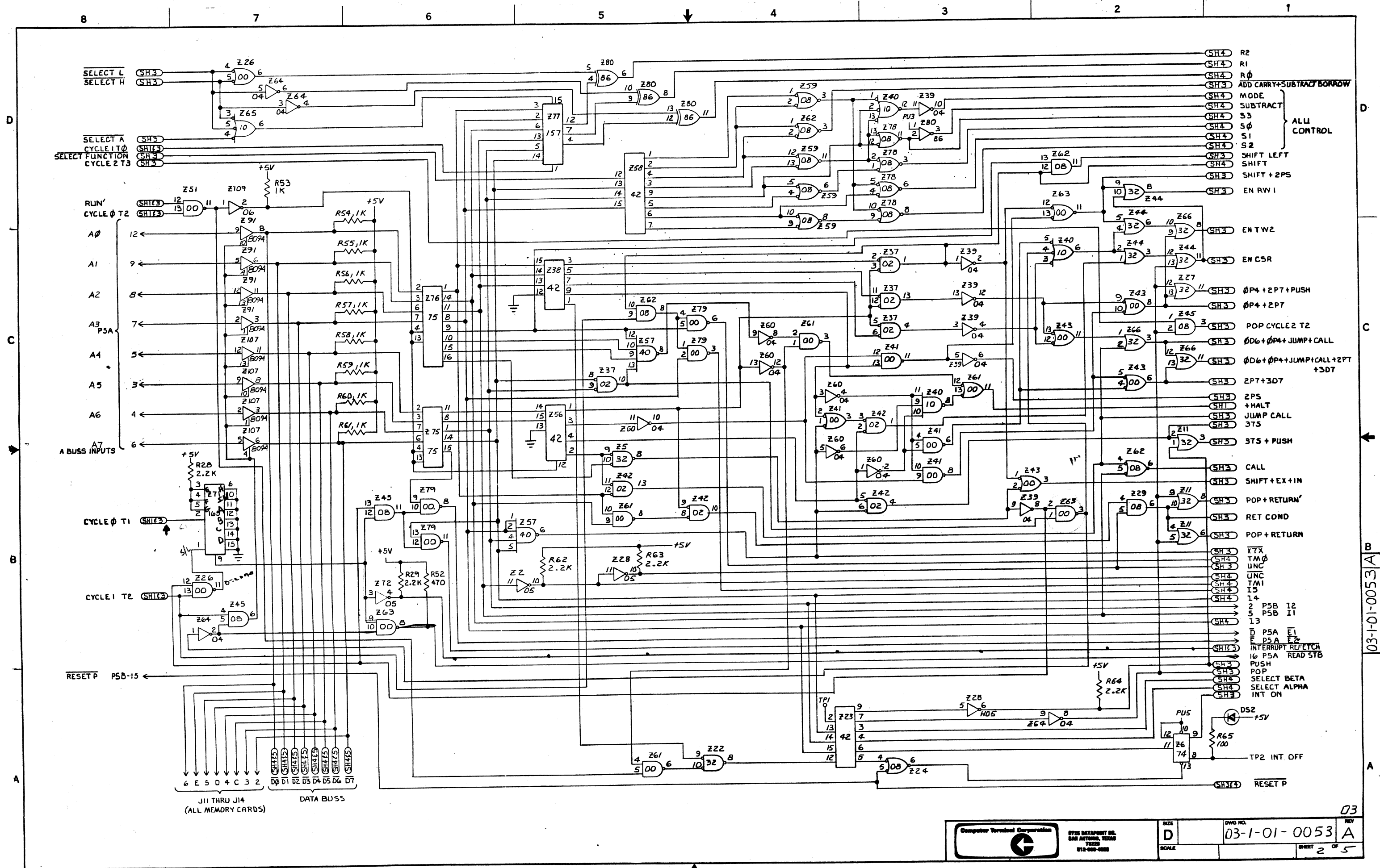
TOLERANCES: FRACTIONS ±, ANGLES ±, DECIMALS ±, DIA ±, HOLE ±.

DATE: 3-17-73
 CHECKED: [Signature]
 DESIGN ENGINEER: [Signature]
 PROJECT ENGINEER: [Signature]

Computer Terminal Corporation
 2725 DATAPoint DR.
 SAN ANTONIO, TEXAS
 78228
 512-388-0888

**SCHEMATIC DIAGRAM
 PARALLEL PROCESSOR II**

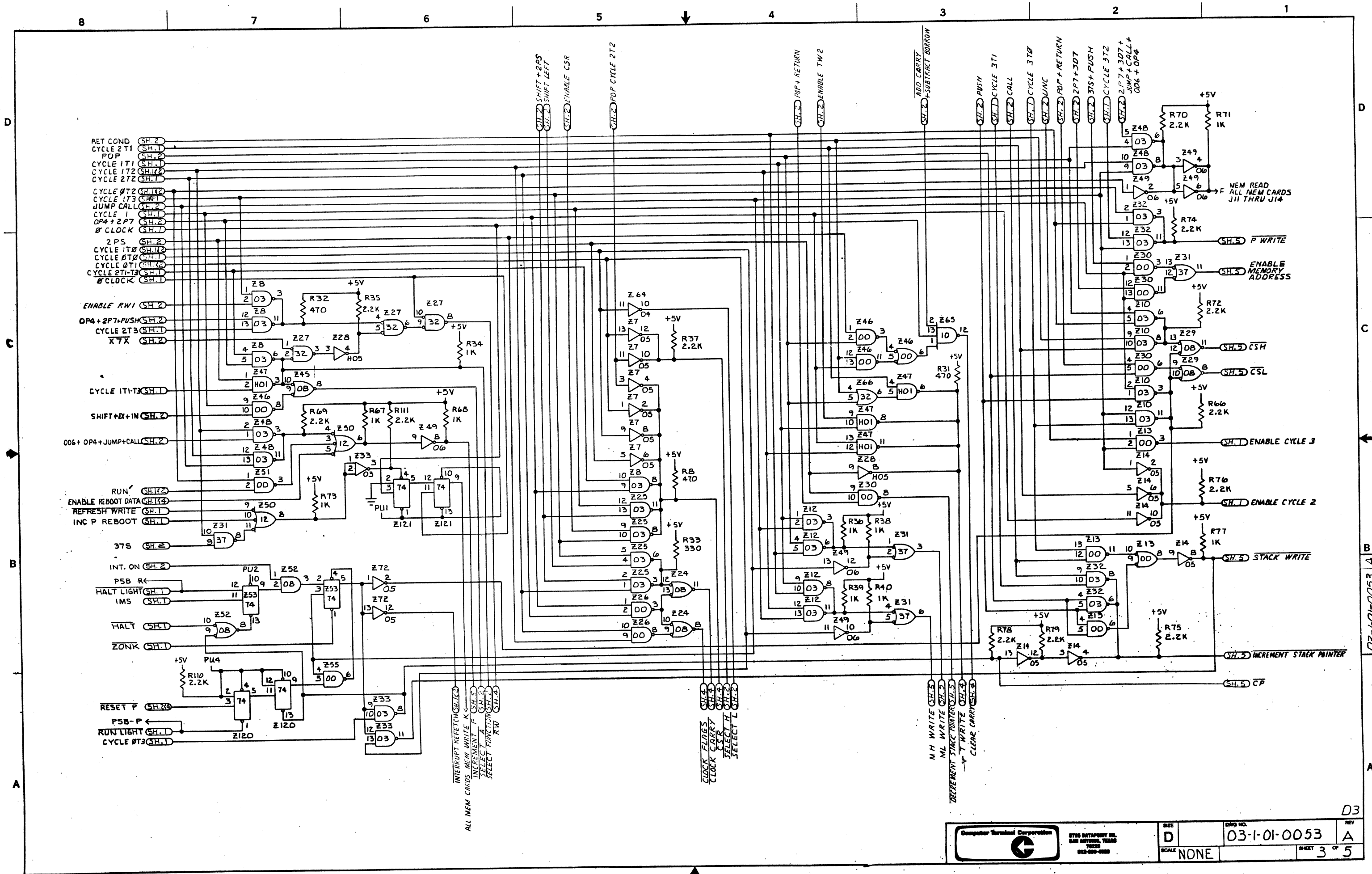
SCALE: NONE
 SHEET 1 OF 3



03-1-01-0053A

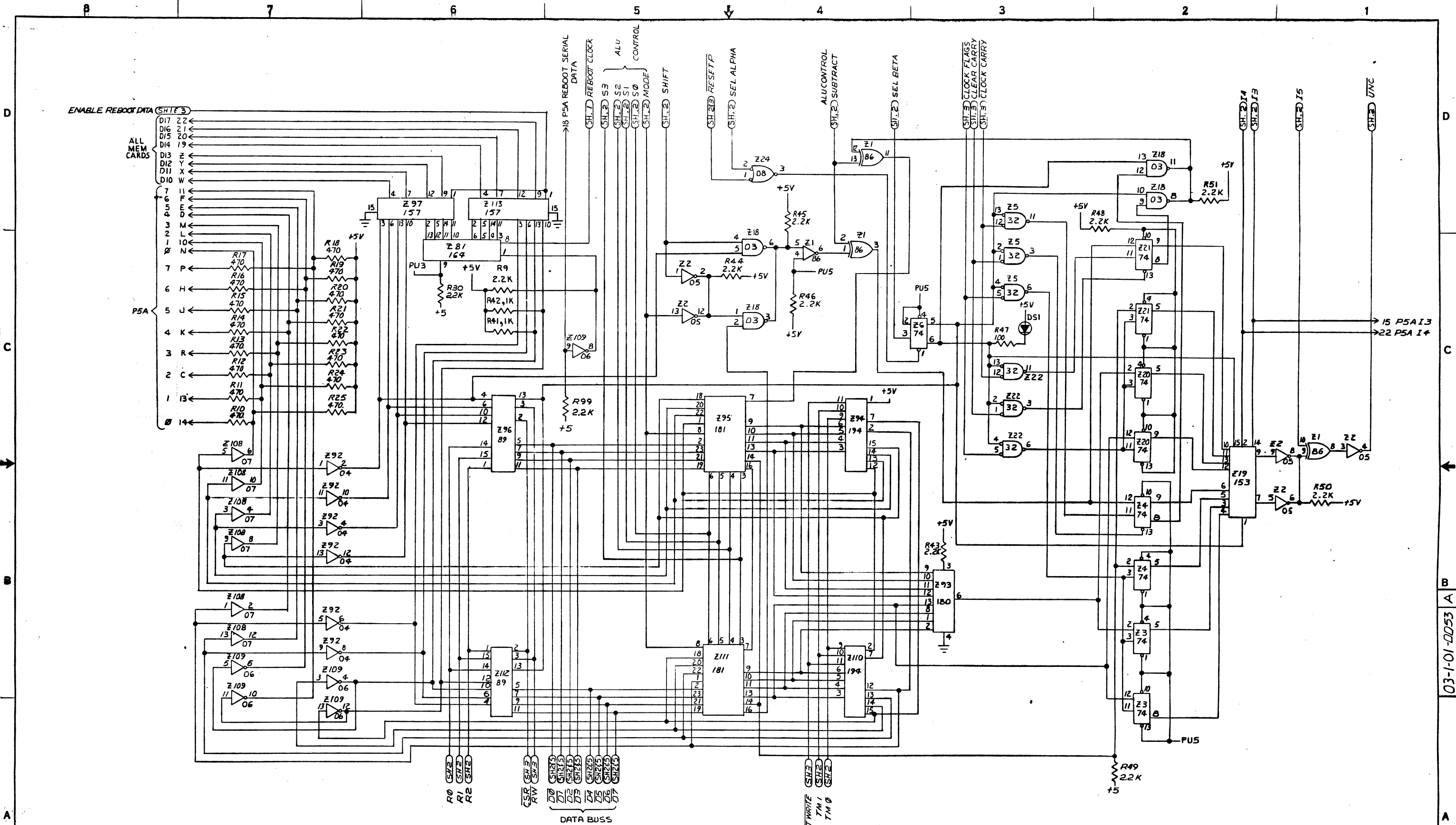
03

Computer Terminal Corporation		6725 DATAPoint BL. SAN ANTONIO, TEXAS 78220 512-599-0200		SIZE D	DWG NO. 03-1-01-0053	REV A
SCALE		SHEET 2 OF 5				



D3

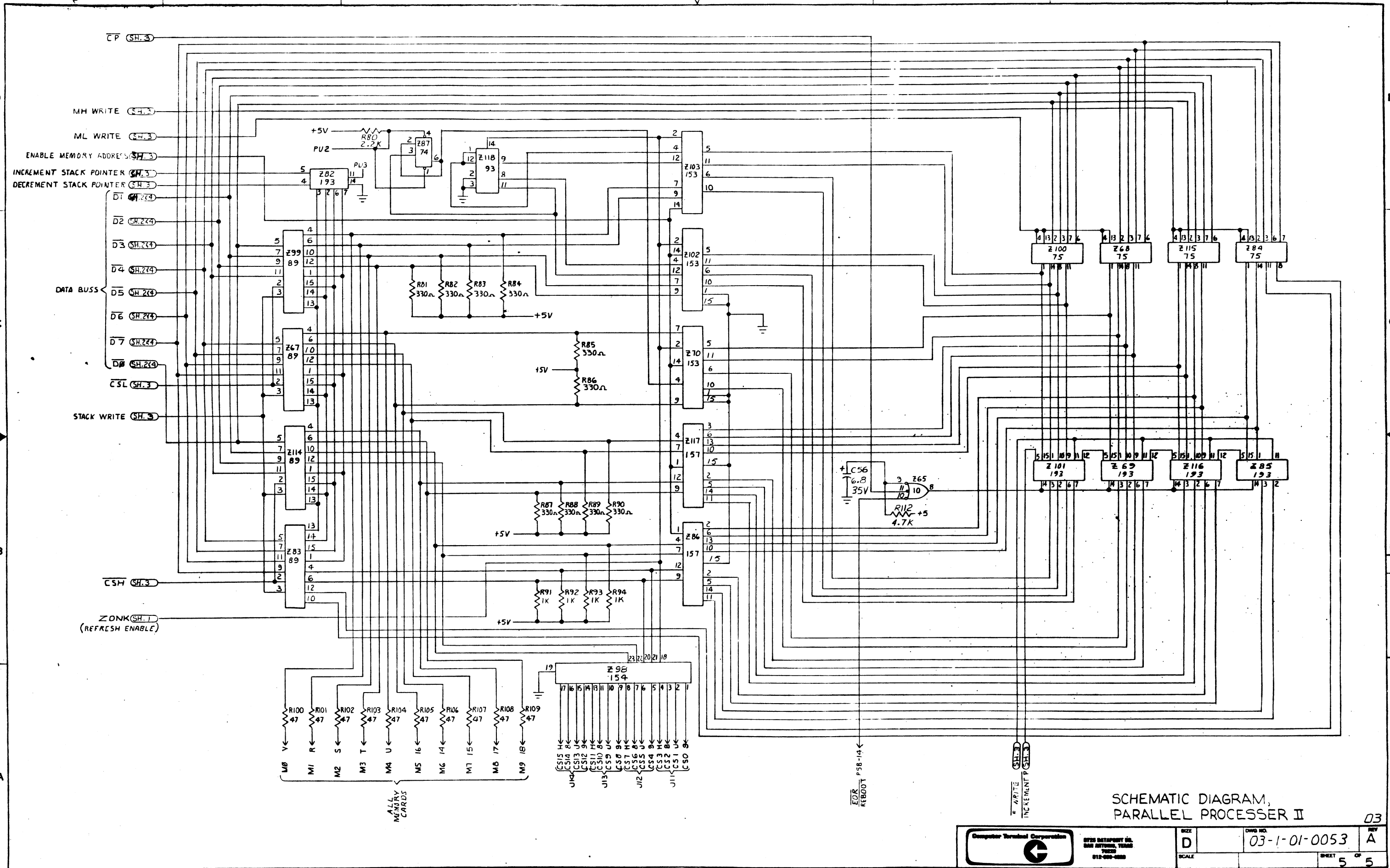
03-1-01-0053



03-1-01-0053 A



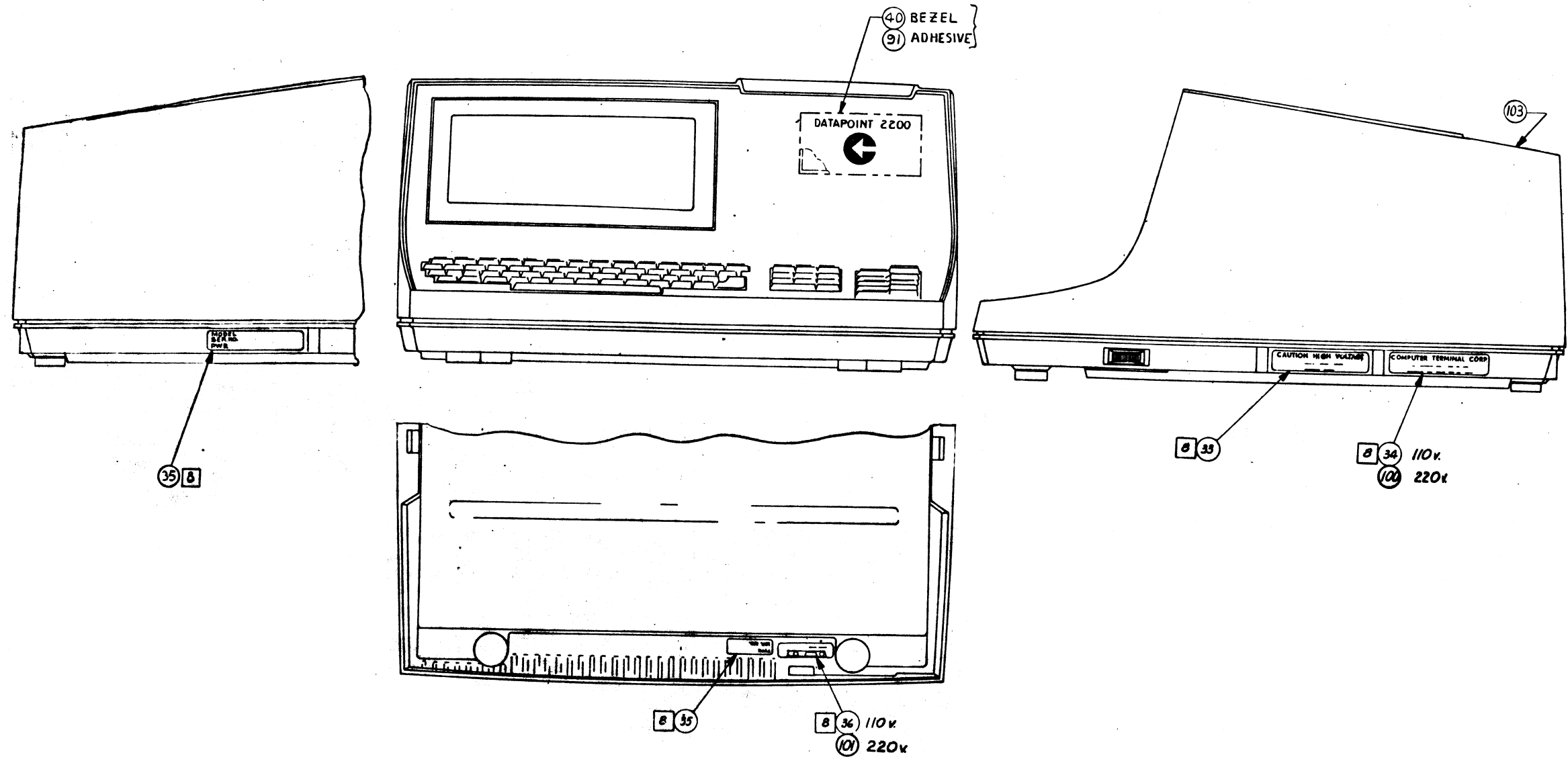
SIZE D	DWN NO. 03-1-01-0053	REV A
SCALE	SHEET 4 OF 5	



SCHEMATIC DIAGRAM, PARALLEL PROCESSOR II

03

Computer Terminal Corporation	DATE DATAPORT NO. 0728 DATE: 07-28-68	SIZE	DWG. NO.	REV.
		D	03-1-01-0053	A
SCALE		SHEET		5 OF 5



REVISION				
ZONE	LET	DESCRIPTION	DATE	APPROVED
A	INC. DCN # 2512	K. K. numbers 6/10/71	6-10-71	
B	INC. DCN 2632	PH. numbers 7/15/71	7-15-71	JFA
	INC. EO 2919	JT 8/2/71	8-2-71	JFA
C	INC. EO # 2622	J.T. 9/8/71	9-8-71	JFA
	INC. EO # 2625	9/22/71	9-22-71	JFA
D	INC. EO 2668	J.T. 11-26-72	11-26-72	JFA
E	INC. EO 2175	J.T. 1-26-72	1-26-72	JFA
F	INCORP EO 2808	2/15/72	2-15-72	JFA
G	INC. EO 2810	M. K. numbers 2/22/72	2-22-72	JFA
H	INC. EO 3536	M. K. numbers 3/1/72	3-1-72	JFA
J	INC. EO 3655	M. K. numbers 5-1-72	5-1-72	JFA
K	INC. EO 2313	M. K. numbers 5-1-72	5-1-72	JFA
L	INCORP EO 2822	M. K. numbers 5-1-72	5-1-72	JFA
	P/L ITEM 6 WAS ITEM 4			
M	CREATED BOM THAT - 108 4/14/72			
N	INCORP EO # 3933	J.L. Lock	2-17-73	JFA
P	INCORP EO # 3847	J.L. Lock	2-13-73	JFA
R	INCORP EO # 3968	J.L. Lock	2-21-73	JFA
S	INCORP EO # 4032	J.L. Lock	2-21-73	JFA
T	INCORP EO # 4203	J.L. Lock	2-21-73	JFA
U	INCORP EO # 4212	J.L. Lock	2-21-73	JFA
V	INC. EO 3906, 4326, 4375	BOM	2-14-73	JFA

- 11. NOTE 3 NOT APPLICABLE. PLACE CABLE CLAMPS AS SHOWN AND ALLOW CLEARANCE FOR DEFLECTION OF SPRING
 - 10. _____
 - 9. THE FOLLOWING TORQUES SHALL BE USED:
NO. 6 SCREW - 16 TO 19 IN. LBS
NO. 8 SCREW - 24 TO 28 IN. LBS
 - 8. LOCATE LABEL APPROX AS SHOWN.
 - 7. SEE CONNECTOR TABLE FOR REFERENCE.
 - 6. TAG OR MARK WITH APPROPRIATE REFERENCE DESIGNATOR. MARKING SHALL BE APPROX .12 HIGH LEGIBLE AND PERMANENT.
 - 5. _____
 - 4. REFERENCE DESIGNATIONS ARE NOT NECESSARILY MARKED ON PARTS.
 - 3. LOCATION AND QTY OF CABLE CLAMPS AND TIE-RAPS TO BE DETERMINED AT ASSEMBLY.
 - 2. EQUIVALENT VENDOR PARTS MAY BE USED WITH CAPT ENGINEERING APPROVAL.
 - 1. ASSEMBLE PER CAPT MANUFACTURING STANDARDS.
- NOTES: (UNLESS OTHERWISE SPECIFIED)

- 13. PER UNIQUE PARTS LIST
- 12. INSTALL ON 220V UNIT ONLY.

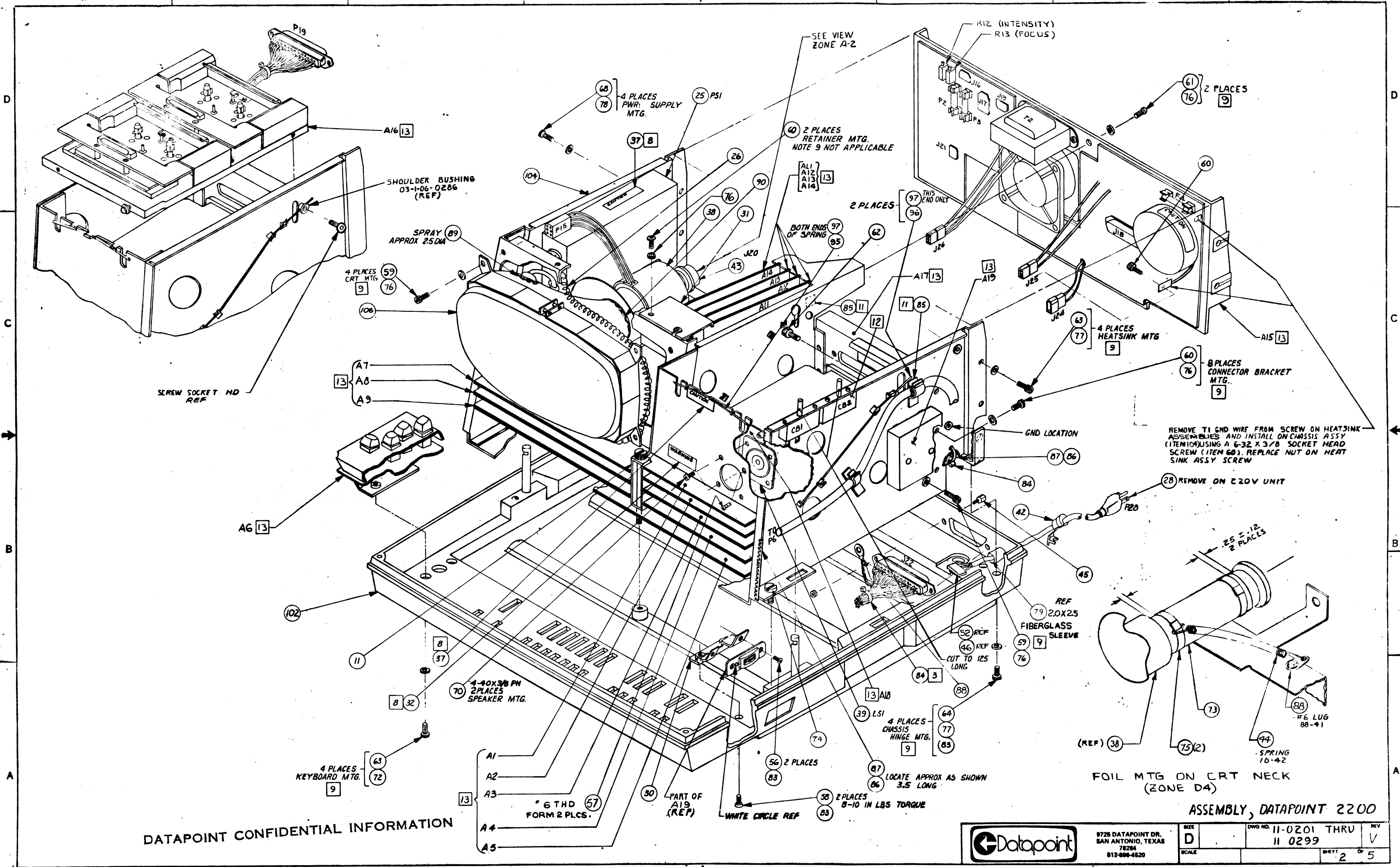
DATAPPOINT CONFIDENTIAL INFORMATION

EO 5453, 5467, 5255
EO 5184, 5164 OUTSTANDING

NOTE:
SHEETS 4 AND 5
UNIT REVISIONS

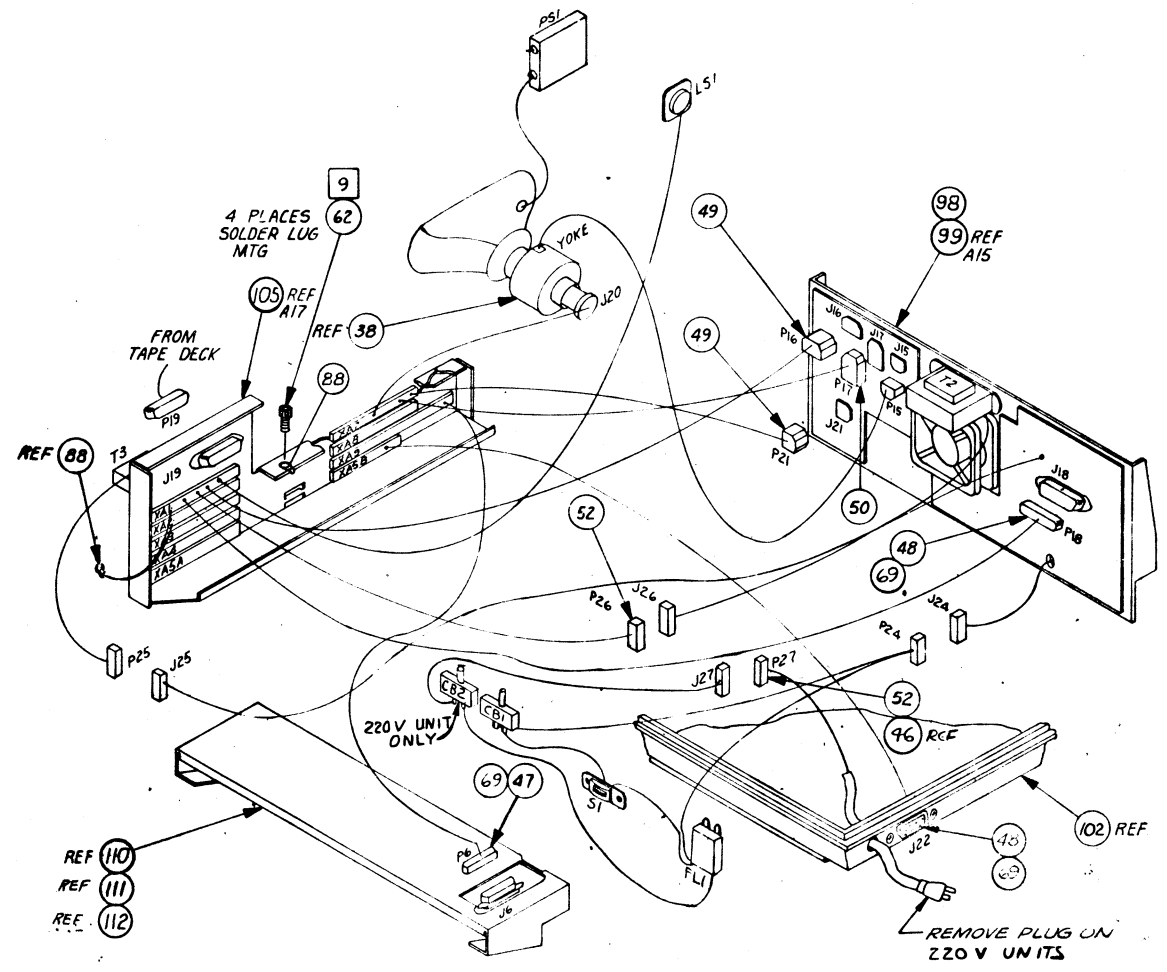
PARTS LIST 15 PL 110201 / PL 110299

QTY	CTC PART NO.	NOMENCLATURE	VENDOR PART NO.	VENDOR	REF DES	ITEM
PARTS LIST						
USED OR	UNLESS OTHERWISE SPECIFIED ALL DIMENSIONS ARE IN INCHES AND INCLUDE APPLIED FINISH.		DRAWN	DATE	Computer Terminal Corporation 8725 DATAPPOINT DR. SAN ANTONIO, TEXAS 78228 512 498-6828	
	TOLERANCES		CHECKED	DATE		
NEXT ASSEMBLY	FRACTIONS ±		DESIGN ENGINEER	DATE	ASSEMBLY, DATAPPOINT 2200	
	ANGLES ±		PROJECT ENGINEER	DATE		
DECIMALS					SIZE D DWG NO. 11 0201 THRU REV V 11 0299	
XX ±						
XXX ±					SCALE SHEET 1 OF 5	



DATAPoint CONFIDENTIAL INFORMATION

	8726 DATAPoint DR. SAN ANTONIO, TEXAS 78284 812-696-4520	SIZE D	DWG NO. 11-0201 THRU 11 0299	REV V
	SCALE	SHEET 2 OF 5		



MOLEX CONNECTOR ASSEMBLY TABLE		
CONNECTOR NO.	ITEM 55 PIN NO.	ITEM 46 PIN NO.
P16	6	1,2,3,4,5
P17	1	2,3,4,5,6 THRU 12
P21	3	1,2,4,5,6
P26	1, 3	2
P27		1,2,3

DATAPOINT CONFIDENTIAL INFORMATION

ASSEMBLY, DATAPOINT 2200



9725 DATAPOINT DR.
SAN ANTONIO, TEXAS
78284
512-696-4520

SIZE D	DWG NO 11 02 01 THRU 11 02 22	SHEET 3	5
-----------	-------------------------------------	------------	---

FOURTH	E.O. NO.	FOURTH	E.O. NO.
1	3906		
2	4326		
3	4375		

MODEL NO.	DATAPOINT PT. NO.	REV LTR																																
		U	V	W	X	Y	Z	AA	AB	AC	AD	AE	AF	AG	AH	AJAK	AL	AMAN	AP	AQ	AR	AS	AT	AU	AV	AW	AX	AY	AZ		BA	BB	BC	BD
2200-102	11 0201-01																																	NA
2200-104	11 0201-02																																	NA
2200-106	11 0201-03																																	
2200-108	11 0201-04																																	
2200-102/163	11 0201-11																																	
2200-104/163	11 0201-12																																	
2200-106/163	11 0201-13																																	
2200-108/163	11 0201-14																																	
2200-102	11 0202-01																																	
2200-104	11 0202-02		1	2	3																													
2200-106	11 0202-03																																	
2200-108	11 0202-04																																	
2200-102/163	11 0202-11																																	
2200-104/163	11 0202-12																																	
2200-106/163	11 0202-13																																	
2200-108/163	11 0202-14																																	
2200-114	11 0210-01																																	
2200-118	11 0210-02																																	
2200-122	11 0210-03																																	
2200-126	11 0210-04																																	
2200-114/163	11 0210-11																																	
2200-118/163	11 0210-12																																	
2200-122/163	11 0210-13																																	
2200-126/163	11 0210-14																																	
2200-114	11 0210-21																																	
2200-118	11 0210-22																																	
2200-122	11 0210-23																																	
2200-126	11 0210-24																																	
2200-114/163	11 0210-31																																	
2200-118/163	11 0210-32																																	
2200-122/163	11 0210-33																																	
2200-126/163	11 0210-34																																	
2200-114	11 0211-01																																	
2200-118	11 0211-02																																	
2200-122	11 0211-03																																	
2200-126	11 0211-04																																	
2200-114/163	11 0211-11																																	
2200-118/163	11 0211-12																																	
2200-122/163	11 0211-13																																	
2200-126/163	11 0211-14																																	
2200-114	11 0211-21																																	
2200-118	11 0211-22																																	
2200-122	11 0211-23																																	
2200-126	11 0211-24																																	
2200-114/163	11 0211-31																																	
2200-118/163	11 0211-32																																	
2200-122/163	11 0211-33																																	
2200-126/163	11 0211-34																																	

DATAPOINT CONFIDENTIAL INFORMATION

UNIT REVISIONS
DATAPOINT VI & VII

ASSEMBLY, DATAPOINT 2200



8725 DATAPOINT DR.
SAN ANTONIO, TEXAS
78294
512-696-4520

SIZE
D
SCALE

DWG NO. 11 0201 THRU 11 0299
REV **V**
SHEET 4 OF 5

D

C

B

A

D

C

B

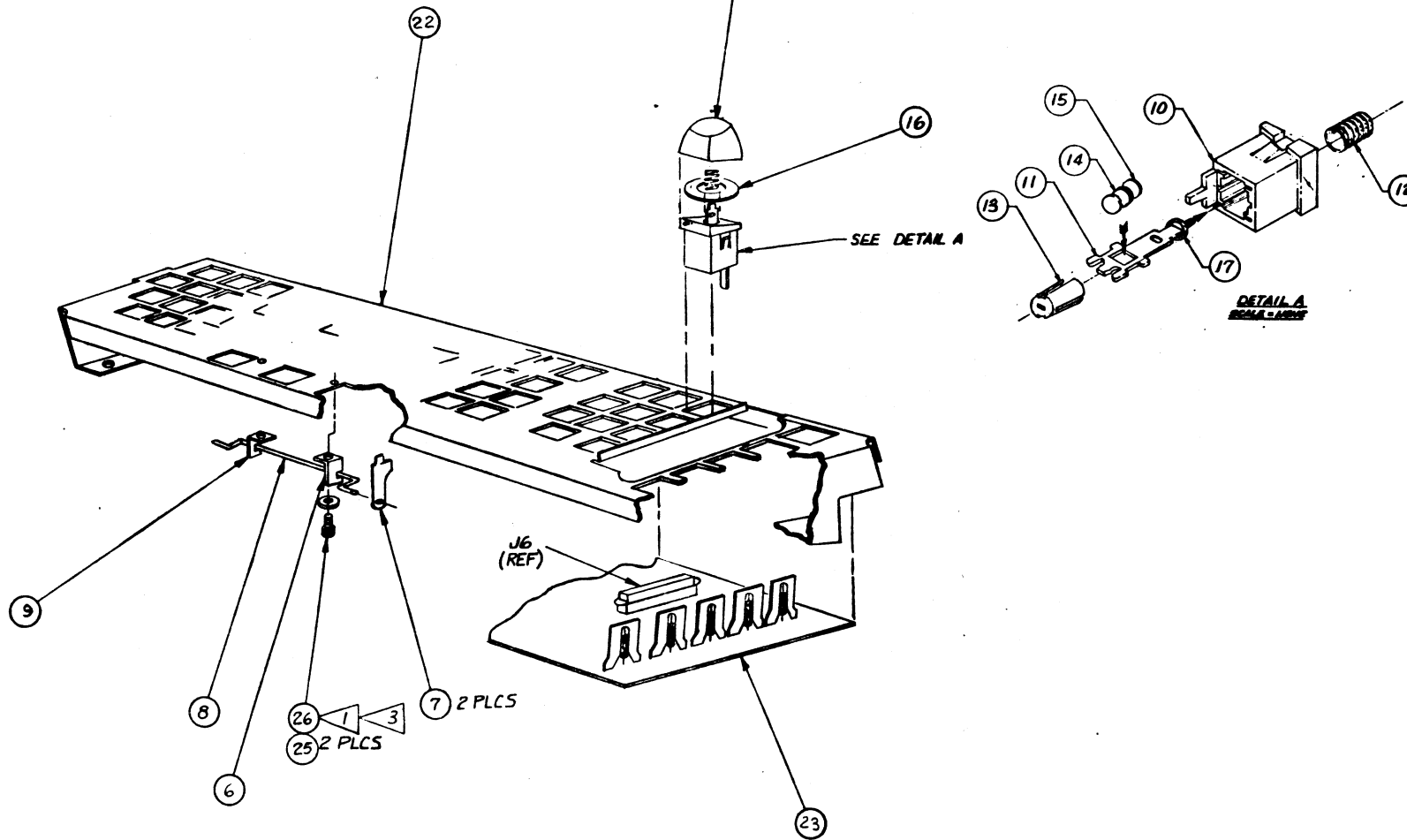
A



TABULATED REVISIONS						
REV	DESCRIPTION	DATE	ENGR	APPROV	BY	DATE
-805	CREATE -805 E.O. 5000	7-31-73				
-804	CREATE -804	11-19-71				
-803	INC. E.O. 3322 CHANGED BHT 1 & 2 OF P/L	11-19-71				
-802	INCORP ED# 3343 ADDED SEPARATE P/L	11-19-71				
-801	INCORP DCN# 2117	4-20-71				

REVISIONS				
ZONE	LET	DESCRIPTION	DATE	APPROVED
A		INCORP DCN# 2117	4-20-71	
B		INCORP ED# 3343 ADDED SEPARATE P/L	11-19-71	
C		INC. E.O. 3322 CHANGED BHT 1 & 2 OF P/L	11-19-71	
D		CREATE -803 & -804	11-19-71	
E		CREATE -805 E.O. 5000	7-31-73	

- 801 USE 261-20
- 802 USE 484-20
- 803 USE 568-20
- 804 USE 569-20
- 805 USE 680-20



RELEASE FOR PRODUCTION

DATAPOINT CONFIDENTIAL INFORMATION

SEE TABULATED REVISION BLOCK

FOR COMMON & UNIQUE PARTS LIST SEE PL-03-1-09-0007

3 TORQUE REQUIREMENTS FOR FASTENER TO BE 9 IN LBS. MAX.

2 SECURE BOARD WITH ITEM 27. THREAD DETAIL A WITH ITEM 27 WHEN KEYBOARD IS IN POSITION. ADD ITEM 27 TO FOLLOWING KEYS (LOCATIONS ALSO MARKED ON BOTTOM SIDE OF KEYBOARD)

TOP ROW KEY POSITION FROM LEFT #1, 2, 9 & RESTART KEY
 SECOND ROW " " " " #2, 3, 8, 10, 13, 14, 17 & STOP KEY
 THIRD ROW " " " " #14, 16, 17, & RUN KEY
 FOURTH ROW " " " " #2, 3, 8, 14, 15 & KEYBOARD KEY
 FIFTH ROW DISPLAY KEY

1 USE LOCTITE, ITEM 29, ON SOCKET HEAD SCREWS AS REQUIRED

NOTES: (UNLESS OTHERWISE SPECIFIED)

- 801 2200
- 802 KATAKANA 2200
- 803 SWEDISH 2200
- 804 HENDRIX 2200
- 805 SWEDISH II

QTY	CTC PART NO.	NOMENCLATURE	VENDOR PART NO.	VENDOR	REF DES	ITEM
PARTS LIST						
SWEDISH II		UNLESS OTHERWISE SPECIFIED ALL DIMENSIONS ARE IN INCHES AND INCLUDE APPLIED FINISH.		DRAWN: J. PARSONS		DATE: 11-11-70
HENDRIX 2200		TOLERANCES: FRACTIONS ± ANGLES ±		CHECKED: [Signature]		DATE: 1-28-71
SWEDISH 2200		DECIMALS: X ± JX ± JXX ±		DESIGN ENGINEER: [Signature]		DATE: 1-29-71
KATAKANA 2200		MATERIAL:		PROJECT ENGINEER: [Signature]		DATE: 1-29-71
2200		USED ON:		PROJECT ENGINEER: [Signature]		DATE: 1-29-71
NEXT ASY		NEXT ASY:		PROJECT ENGINEER: [Signature]		DATE: 1-29-71
-801/0201/0229		DASH:		PROJECT ENGINEER: [Signature]		DATE: 1-29-71
-804				PROJECT ENGINEER: [Signature]		DATE: 1-29-71
-803				PROJECT ENGINEER: [Signature]		DATE: 1-29-71
-802				PROJECT ENGINEER: [Signature]		DATE: 1-29-71
-801				PROJECT ENGINEER: [Signature]		DATE: 1-29-71



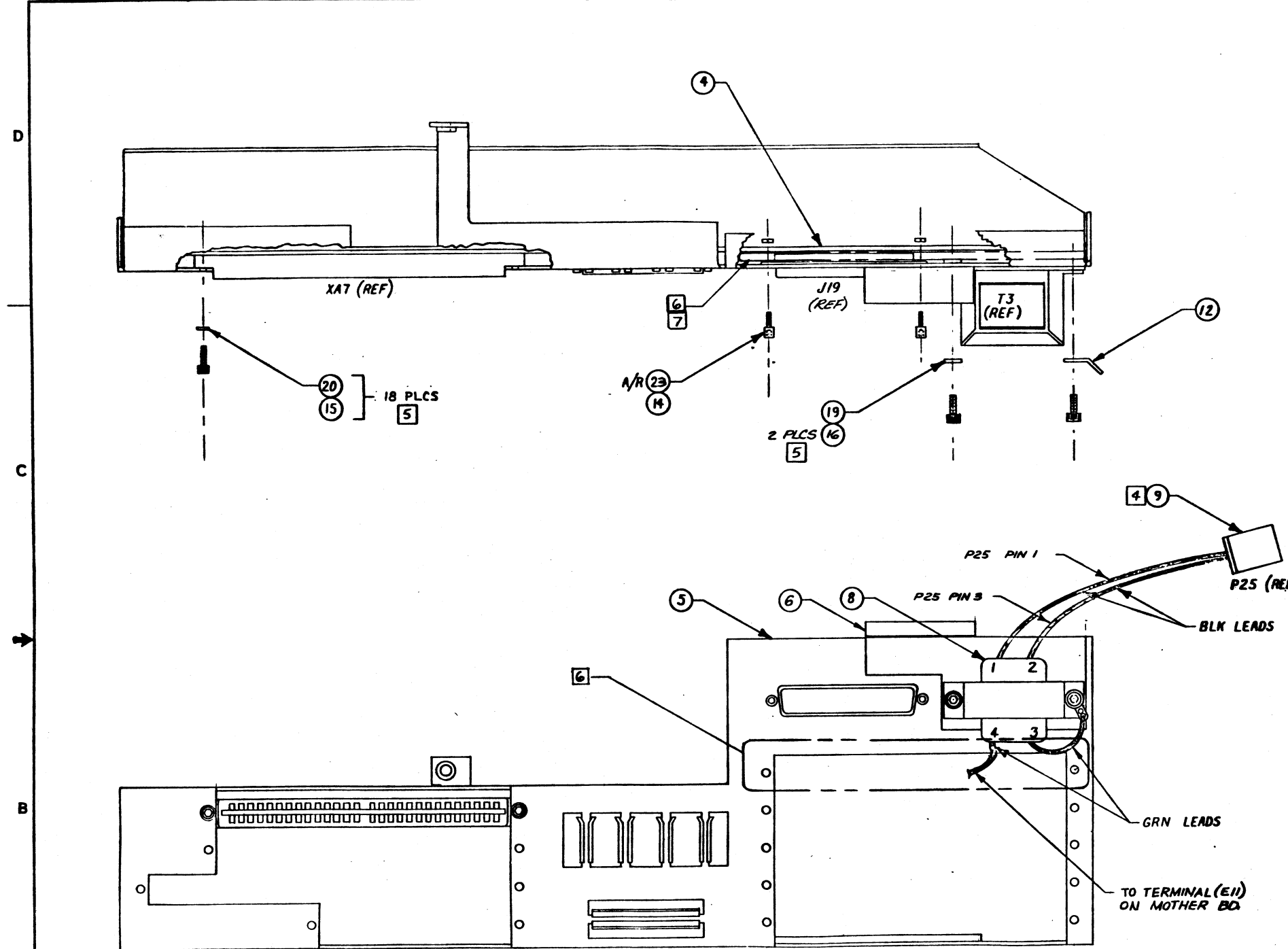
KEYBOARD BRACKET ASSEMBLY

SIZE: D DWG NO: 03-1-09-0007 REV: E

SCALE: 1/8" = 1" SHEET: OF 1

03-1-09-0007 E

REVISIONS				
ZONE	LET	DESCRIPTION	DATE	APPROVED
	A	INCRP DCN# 2117	4-21-71	
	B	INCRP EO#3525	4-22-71	
	C	INCRP EG 4C60	11-10-72	
	D	INC EO 4361, 4357 INTENT DF 2883 - 0 Alpha 6/673	2-22-73	



RELEASE FOR PRODUCTION

DATAPOINT CONFIDENTIAL INFORMATION

**EO 5165 OUTSTANDING
EO 5370, 5366, 5383**

- 7 APPLY ITEM 22 TO WITHSTAND 1 KV RMS FOR ONE SECOND WITH VOLTAGE APPLIED BETWEEN POWER LEAD AND CHASSIS GROUND WITHOUT ARCING OR BREAK DOWN.
 - 6 CLEAN AREA OF GREASE, ETC, ON BOTTOM OF BOARD AND ADD CONFORMAL COATING (ITEM 22) TO AREA BLOCKED IN AND TO OPPOSITE SIDE (TOP) OF PWB BY GOING BETWEEN THE BOARD AND THE CONNECTOR BRACKET (SHEET METAL).
 - 5 THE FOLLOWING TORQUES TO BE USED:
NO. 4 SCREW - 9 TO 11 INCH POUNDS.
NO. 6 SCREW - 16 TO 19 INCH POUNDS.
 - 4 P25 PINS 1, 2 & 3 MALE (ITEM 10).
 - 3 LENGTH OF CABLE TO BE DETERMINED BY DATAPOINT MFG.
 - 2 TAG OR MARK CONNECTOR WITH APPROPRIATE REF DESIGNATOR, MARKING SHALL BE APPROX .12 HIGH, LEGIBLE AND PERMANENT.
1. EQUIVALENT VENDOR PARTS MAY BE USED WITH DATAPOINT ENGINEERING APPROVAL

-801 320-10 STD
-802 484-10 SWEDISH KATAKAWA

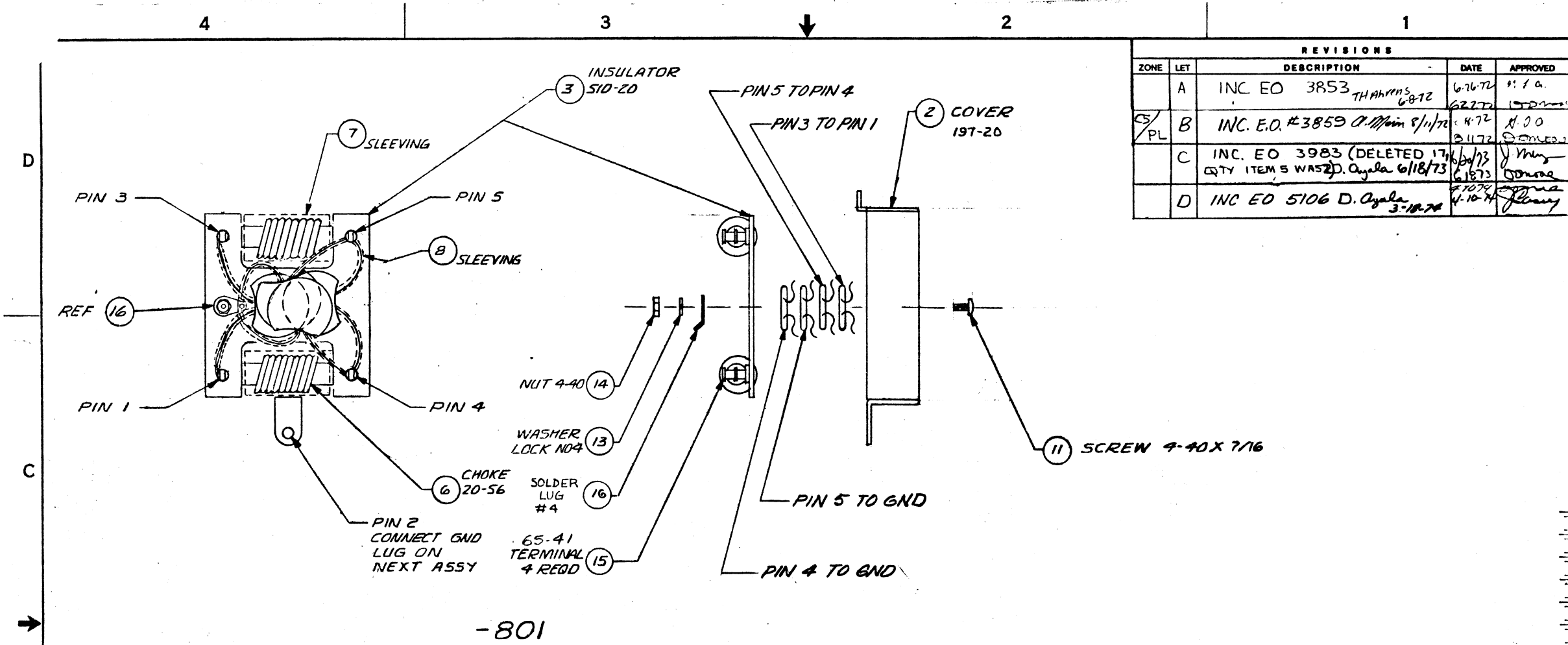
NOTES: (UNLESS OTHERWISE SPECIFIED)

QTY	CTC PART NO.	NOMENCLATURE	VENDOR PART NO.	VENDOR	REF DES	ITEM
2200		CONNECTOR BRACKET ASSEMBLY		Computer Terminal Corporation		
2200						

UNLESS OTHERWISE SPECIFIED ALL DIMENSIONS ARE IN INCHES AND INCLUDE APPLIED FINISH.	DRAWN	DATE	<p>7725 DATAPoint DR. SAN ANTONIO, TEXAS 78228 512-555-4555</p>
TOLERANCES	CHECKED	DATE	
FRACTIONS ± ANGLES ±	DESIGN ENGINEER	DATE	
X ± DECIMALS JOK ±	PROJECT ENGINEER	DATE	
MATERIAL:			

SIZE	DWG NO.	REV
D	03-1-09-0011	D

103-1-09-0011 D



DATAPOINT CONFIDENTIAL INFORMATION

FOR PARTS LIST SEE P/L 03-1-09-0016

QTY	CTC PART NO.	NOMENCLATURE	VENDOR PART NO.	VENDOR	REF DES	ITEM
PARTS LIST						
2200	USED ON	UNLESS OTHERWISE SPECIFIED ALL DIMENSIONS ARE IN INCHES AND INCLUDE APPLIED FINISH.	DRAWN <i>J. Panner</i>	DATE 1/18/72	Computer Terminal Corporation 8725 DATAPOINT DR. SAN ANTONIO, TEXAS 78229 512-696-4520	
		TOLERANCES	CHECKED <i>[Signature]</i>	DATE 1-26-72		
		FRACTIONS ± ANGLES ±	DESIGN ENGINEER <i>[Signature]</i>	DATE 1-25-72		
		X ± DECIMALS JOX ± JOX ±	PROJECT ENGINEER <i>J. F. Alexander</i>	DATE 1-31-72		
	1000	NEXT ASSY			FILTER ASSY, RFI	
	-801	DASH			SIZE C	P/D MODEL 2200-102
					DWG NO. 03-1-09-0016	REV D
					SCALE 1/1	KTC P/N 413-10
					SHEET 1 OF 1	

1. CAPACITORS MUST BE ASSEMBLED TO PREVENT OPPOSITE POLARITIES ADJACENT EACH OTHER. CARE MUST BE TAKEN TO ENSURE CAPACITOR LEAD ORIENTATION DOES NOT VARY WITHIN ONE FILTER ASSEMBLY.

NOTES: (UNLESS OTHERWISE SPECIFIED)

03-1-09-0016

REV D

REVISION TABLE			
REV	DATE	BY	ENG APPVD
-202			
456-10	4-25-72		
C		4080	11/73
D		3907	11/73
E		4205	
F		4356	

REVISIONS				
ZONE	LET	DESCRIPTION	DATE	APPROVED
A		INC EO 2929, 3111, 11-11-72	11/72	
B		INC EO 3487, 11-11-72	11/72	
C		INC EO 4080, 11-11-72	11/72	
D		MFG ONLY EO 4205, 3907 ADDED SHZ ON PROGRAM	2-22-73	11/73
E		INC EO 4356, 4360 DFTG. ONLY D. Agala 6/14/73	6/19/73	11/73

9] SHT. 2 DWG. ZONE C6, CLEAN AREAS WITHIN DASHED LINES. REMOVE EXCESS SILICONE GREASE AT TO-3 MTG. CONFORMAL COAT USING ITEM 62 (SPECIAL CARE AT Q13 AND ADJACENT WEB) THE THICKNESS OF THE COATING WILL BE SUFFICIENT TO WITHSTAND 1KV RMS FOR 1 SEC. WITH VOLTAGE APPLIED BETWEEN EITHER POWER LEAD AND CHASSIS GROUNDS, WITHOUT ARCING OR BREAKDOWN.

8] SEE SHEET 1 OF PARTS LIST

7] THE FOLLOWING TORQUES SHALL BE USED
NO. 4 SCREW 9-11 IN LBS
NO. 6 SCREW 16-19 IN LBS

6] REF WIRING TABLE

5] J24 PIN 1 FEMALE (ITEM 48) PINS 2, 3 MALE (ITEM 27)
J26 PIN 2 MALE (ITEM 27) PINS 1, 3 FEMALE (ITEM 48)
J25 PINS 1, 2, 3 FEMALE (ITEM 48)

4] TAG OR MARK CONNECTOR WITH APPROPRIATE REF DESIGNATOR. MARKING SHALL BE APPROX .12 HIGH, LEGIBLE AND PERMANENT

3] ITEMS 21 & 22 TERMINAL END CATHODE
ITEMS 23, 24 & 25 TERMINAL END ANODE


2] APPLY THERMAL JOINT COMPOUND (ITEM 50) BETWEEN TRANSISTOR, DIODES & SWITCH WHICH ARE MOUNTED TO HEATSINK

1. EQUIVALENT VENDOR PARTS MAY BE USED WITH CTC ENGINEERING APPROVAL

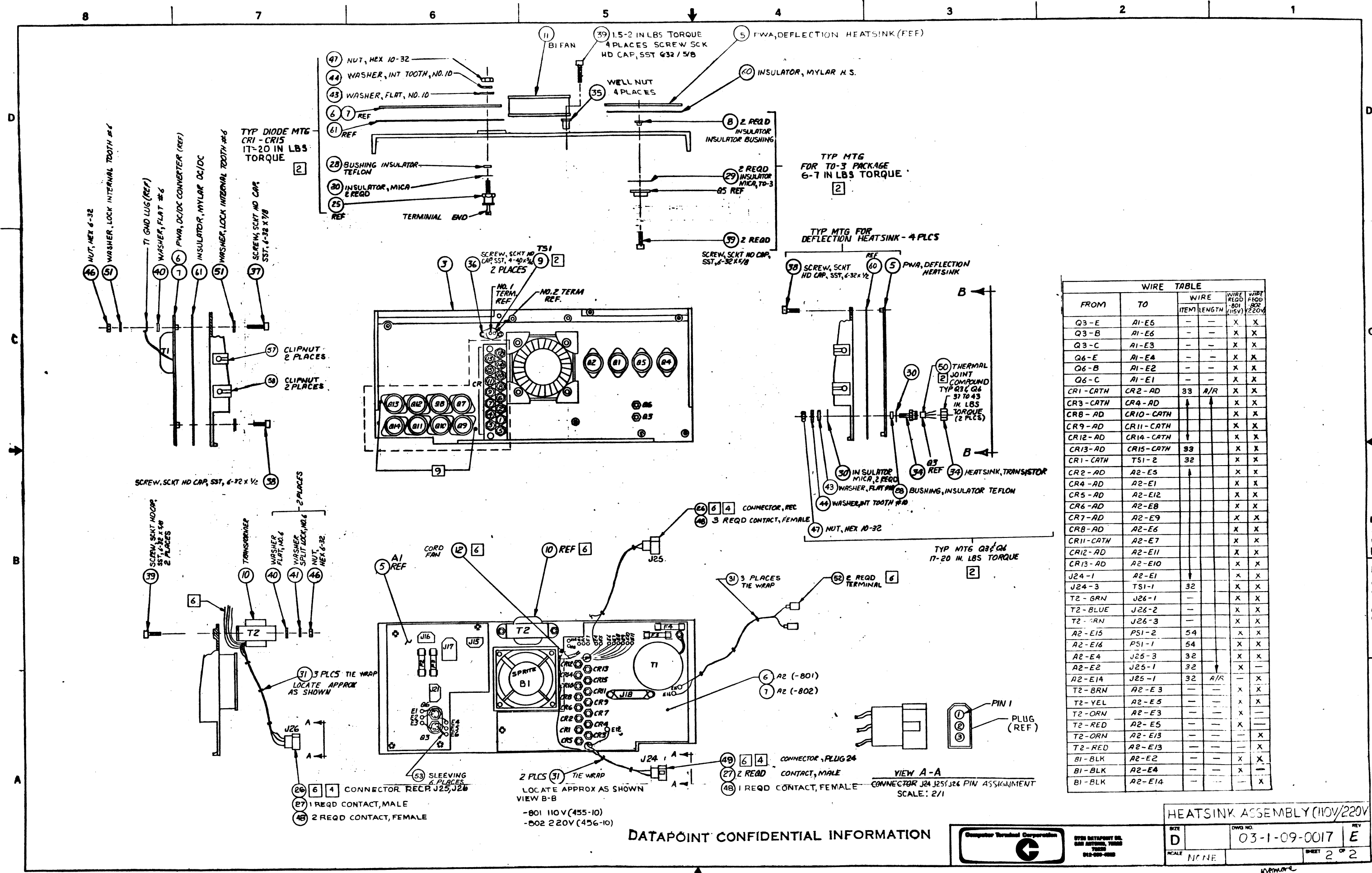
NOTES: (UNLESS OTHERWISE SPECIFIED)

DATAPOINT CONFIDENTIAL INFORMATION

EO 5141 OUTSTANDING
EO 5175, 5177, 5301, 5435, 5470

QTY	CTC PART NO.	NOMENCLATURE	VENDOR PART NO.	VENDOR	REF DES	ITEM
		PARTS LIST				
002	03-1-03-004	HEATSINK ASSEMBLY	UNLESS OTHERWISE SPECIFIED ALL DIMENSIONS ARE IN INCHES AND INCLUDE APPLIED FINISH. DRAWN: <i>[Signature]</i> DATE: 2/27/73 CHECKED: <i>[Signature]</i> DATE: 2/27/73 DESIGN ENGINEER: <i>[Signature]</i> DATE: 2/27/73 PROJECT ENGINEER: <i>[Signature]</i> DATE: 2/27/73			
			TOLERANCES ± FRACTIONS ± ANGLES ± X ± DECIMALS JXX ±			
03-1-03-004		HEATSINK ASSEMBLY		 Computer Terminal Corporation 8725 DATAPoint DR. SAN ANTONIO, TEXAS 78229 512-999-6829		
03-1-03-004		HEATSINK ASSEMBLY		HEATSINK ASSEMBLY (110V/220V)		
03-1-03-004		HEATSINK ASSEMBLY		SIZE: D DWG NO: 03-1-09-0017 REV: E		

03-1-09-0017 E



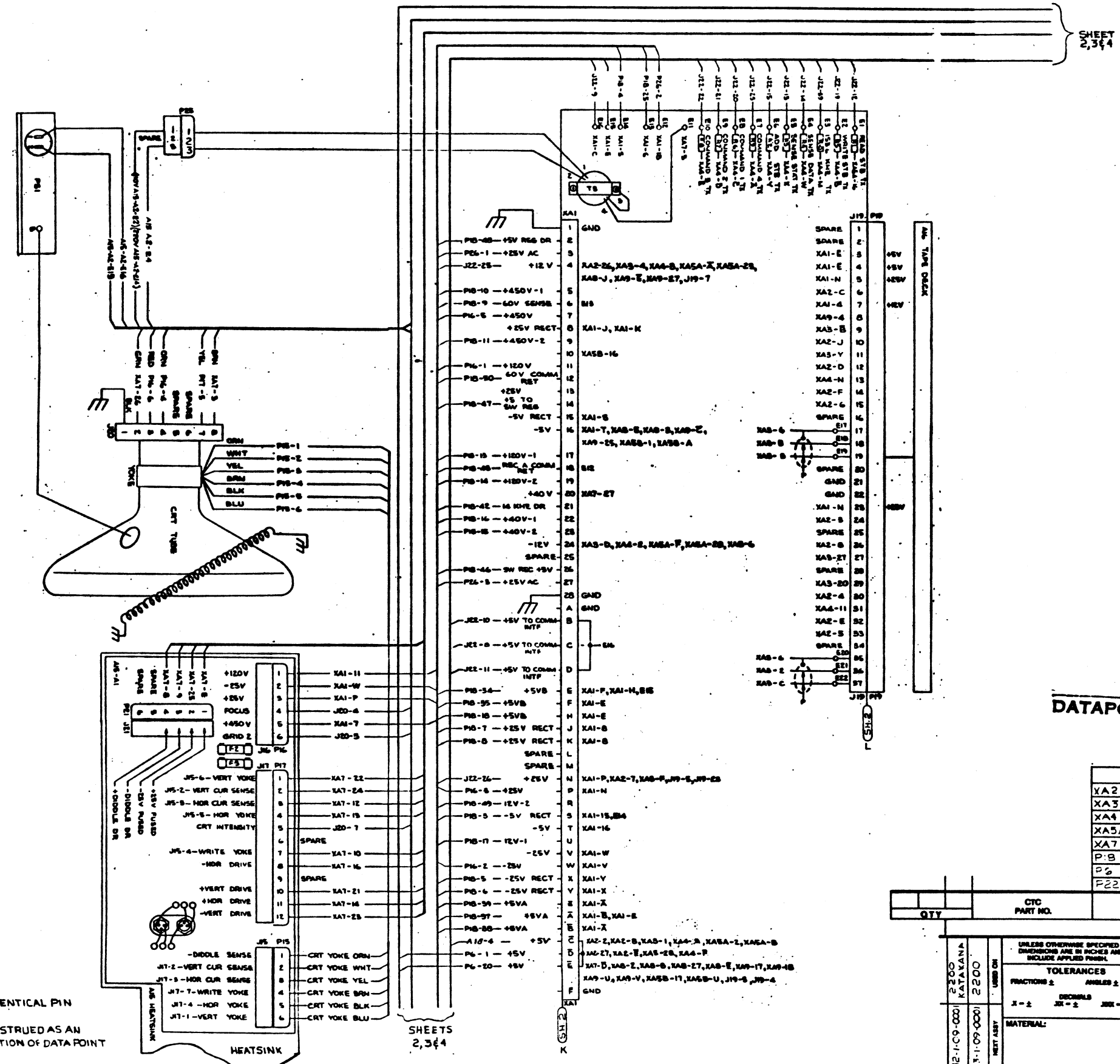
WIRE TABLE

FROM	TO	WIRE ITEM	LENGTH	WIRE REQD -801 (110V)	WIRE REQD -802 (220V)
Q3-E	A1-E6			X	X
Q3-B	A1-E6			X	X
Q3-C	A1-E3			X	X
Q6-E	A1-E4			X	X
Q6-B	A1-E2			X	X
Q6-C	A1-E1			X	X
CR1-CATH	CR2-AD	33	A/R	X	X
CR3-CATH	CR4-AD			X	X
CR8-AD	CR10-CATH			X	X
CR9-AD	CR11-CATH			X	X
CR12-AD	CR14-CATH			X	X
CR13-AD	CR15-CATH	33		X	X
CR1-CATH	TS1-2	32		X	X
CR2-AD	A2-E5			X	X
CR4-AD	A2-E1			X	X
CR5-AD	A2-E12			X	X
CR6-AD	A2-E8			X	X
CR7-AD	A2-E9			X	X
CR8-AD	A2-E6			X	X
CR11-CATH	A2-E7			X	X
CR12-AD	A2-E11			X	X
CR13-AD	A2-E10			X	X
J24-1	A2-E1			X	X
J24-3	TS1-1	32		X	X
T2-BRN	J26-1			X	X
T2-BLUE	J26-2			X	X
T2-BRN	J26-3			X	X
A2-E15	PS1-2	54		X	X
A2-E16	PS1-1	54		X	X
A2-E4	J25-3	32		X	X
A2-E2	J25-1	32		X	-
A2-E14	J25-1	32	A/R	-	X
T2-BRN	A2-E3			X	X
T2-YEL	A2-E5			X	X
T2-ORN	A2-E3			X	-
T2-RED	A2-E5			X	-
T2-ORN	A2-E13			-	X
T2-RED	A2-E13			-	X
B1-BLK	A2-E2			X	X
B1-BLK	A2-E4			X	-
B1-BLK	A2-E14			-	X

DATAPoint CONFIDENTIAL INFORMATION

03-1-09-0017 B REV E

REV	DATE	DESCRIPTION	BY	APP'D
A	9-7-71	INCORPEO 2919		
B	2-8-72	INCORPEO 3226 K KNOWLES/1776		
C	5-5-72	INCORPEO 2213 ECG 2B22		
D	6-2-72	INCORPEO 3517		
E	7-20-72	INCORPEO 3517 G SMITH		
F		INCORPEO 2883 & 2689 XAB-C, XA9-J, XA2-23, XA4-17 REDRAWN FROM J TO D		
D6 5H4		INC EO 4-375, REVISED 110V, ADDED CB 2 D. Lopez		



DATAPOINT CONFIDENTIAL INFORMATION

SHEET	
XA2	2
XA3	2
XA4	2
XA5A&B	2
XA7	3
P-8	4
P-6	4
P22	4

E05255, 5265 OUTSTANDING

2 MATING CONNECTORS HAVE IDENTICAL PIN NUMBERS.
THIS DIAGRAM IS NOT TO BE CONSTRUED AS AN EXACT PHYSICAL REPRESENTATION OF DATA POINT 2200.

NOTES: (UNLESS OTHERWISE SPECIFIED)

QTY	CTC PART NO.	NOMENCLATURE	VENDOR PART NO.	VENDOR	REF DES	ITEM

PARTS LIST			
UNLESS OTHERWISE SPECIFIED ALL DIMENSIONS ARE IN INCHES AND INCLUDE APPLIED FINISH.	DATE	2-14-73	
TOLERANCES	CHECKED		
FRACTIONS ±	DESIGNED BY		
ANGLES ±	DATE	2-22-73	
DECIMALS	DESIGN ENGINEER		
X ±	PROJECT ENGINEER		
XX ±	DATE		
XXX ±			

SIZE	DWG NO.	REV
D	03-1-17-0001	G
SCALE	NONE	SHEET 1 OF 4

03-1-17-0001 B G

D

D

C

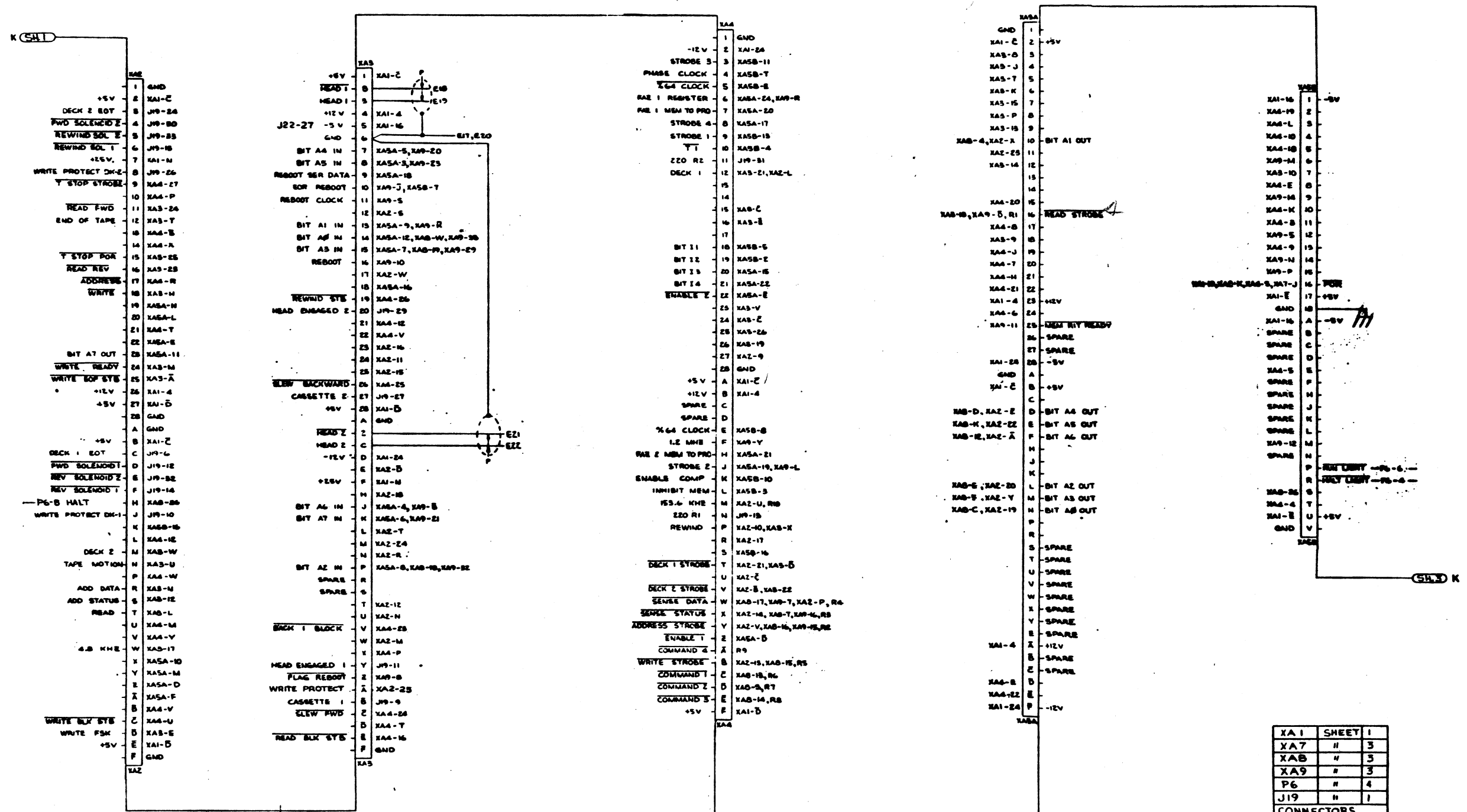
C

B

B

A

A



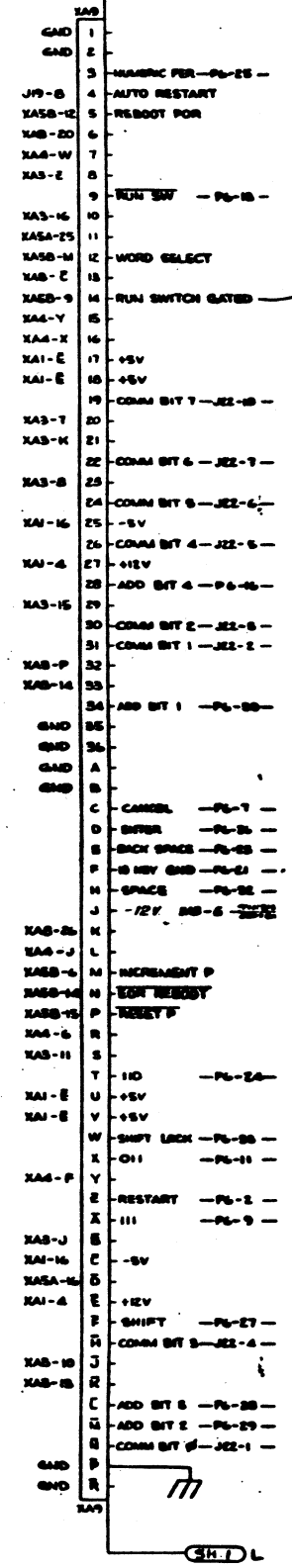
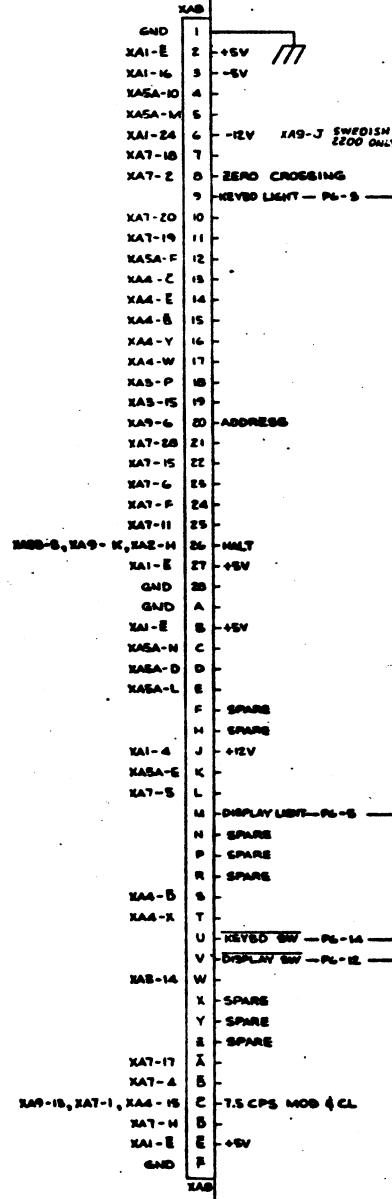
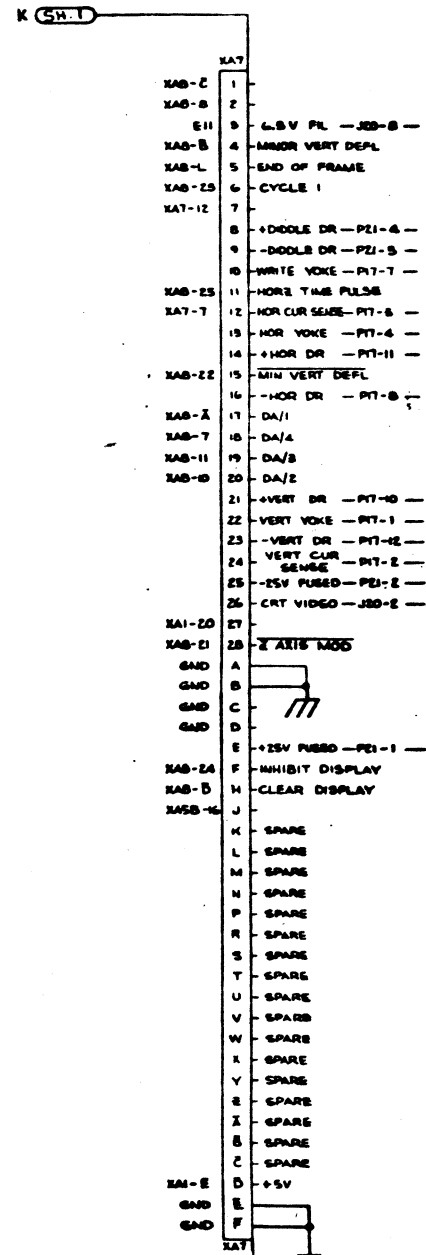
XA I	SHEET	I
XA7	"	3
XA8	"	3
XA9	"	3
P6	"	4
J19	"	1

CONNECTORS
XA2, 3, 4, 5A & 5B
ARE SHOWN IN THIS
SHEET

A17

03-1-17-0001 B

D
C
B
A



P17	SHEET	1
J19	#	1
J20	#	1
P21	#	1
J22	#	4
XA1	"	1
XA2	"	2
XA3	"	2
XA4	"	2
XA5	"	2
XA7	"	3
XAB	"	3
PG	"	4

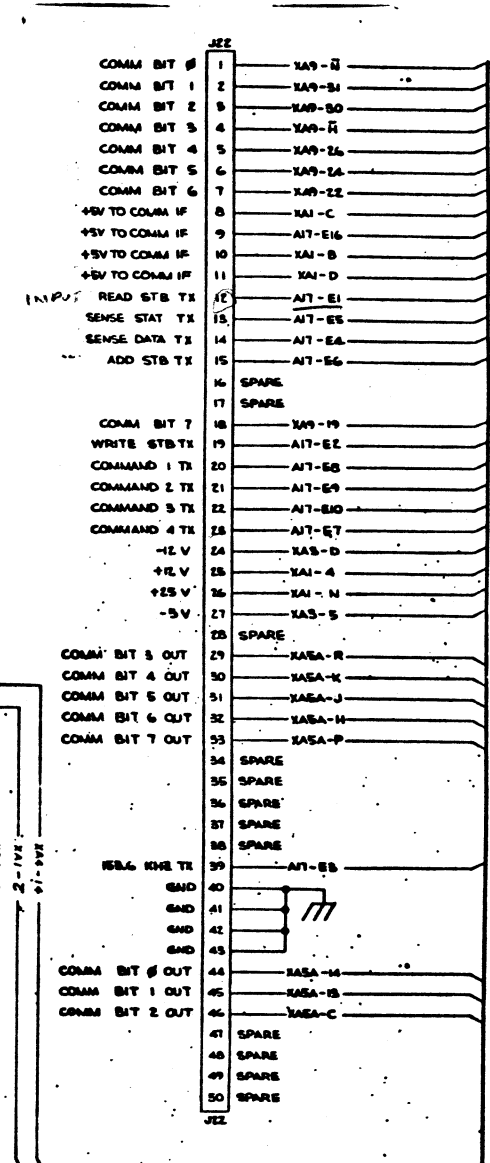
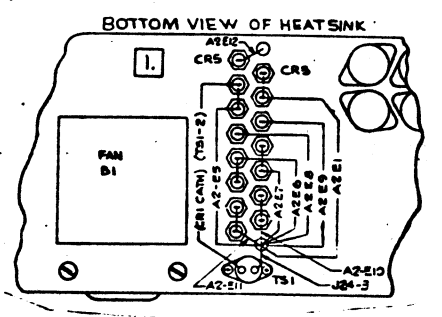
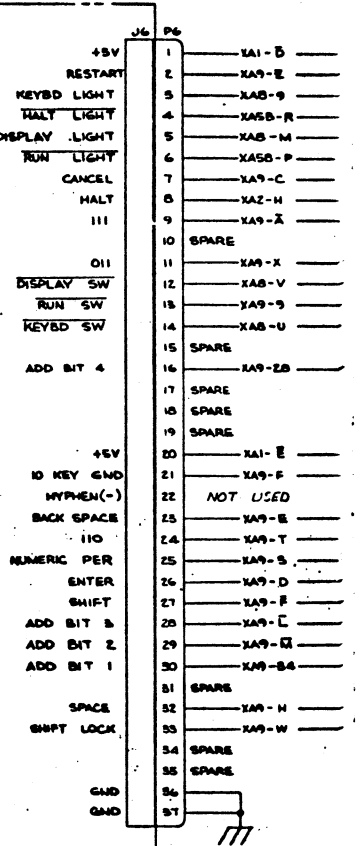
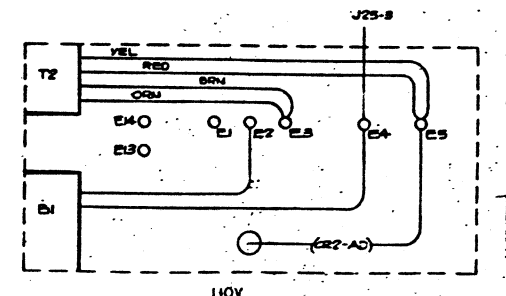
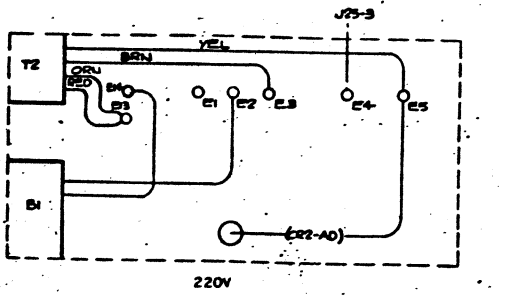
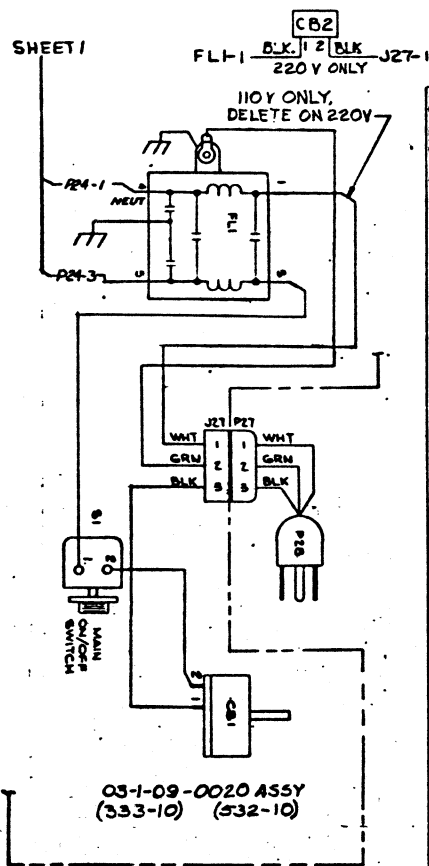
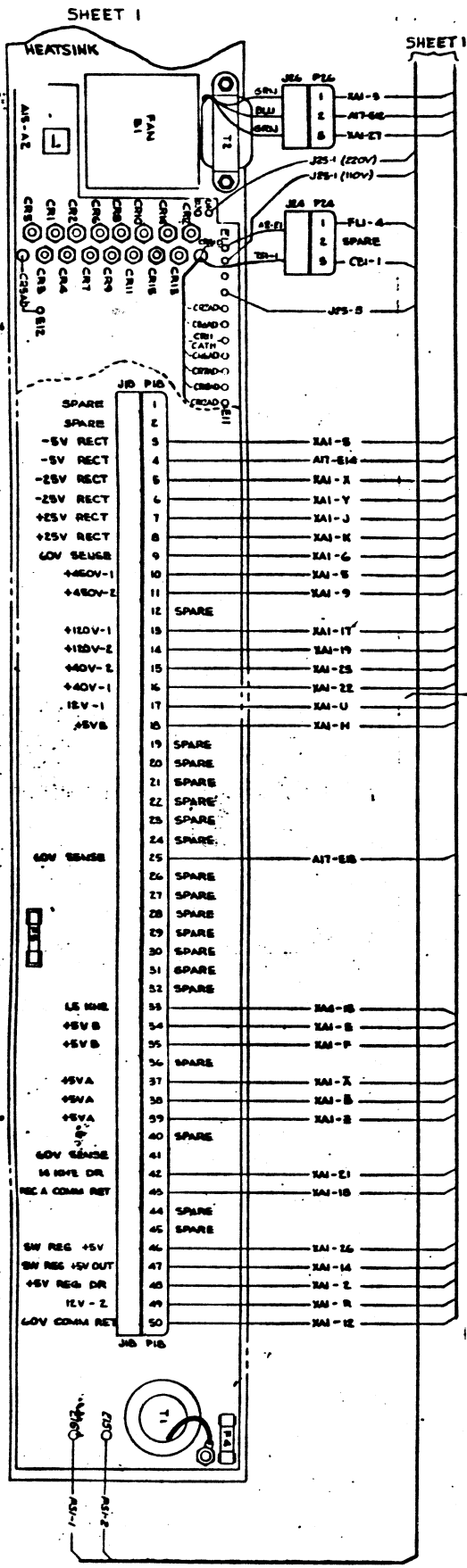


Computer Graphics Corporation
3000 UNIVERSITY BL.
ANN ARBOR, MICH
48106-0000

A17

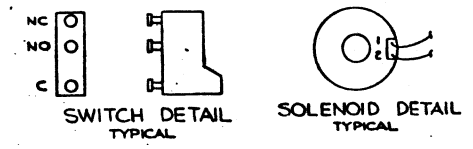
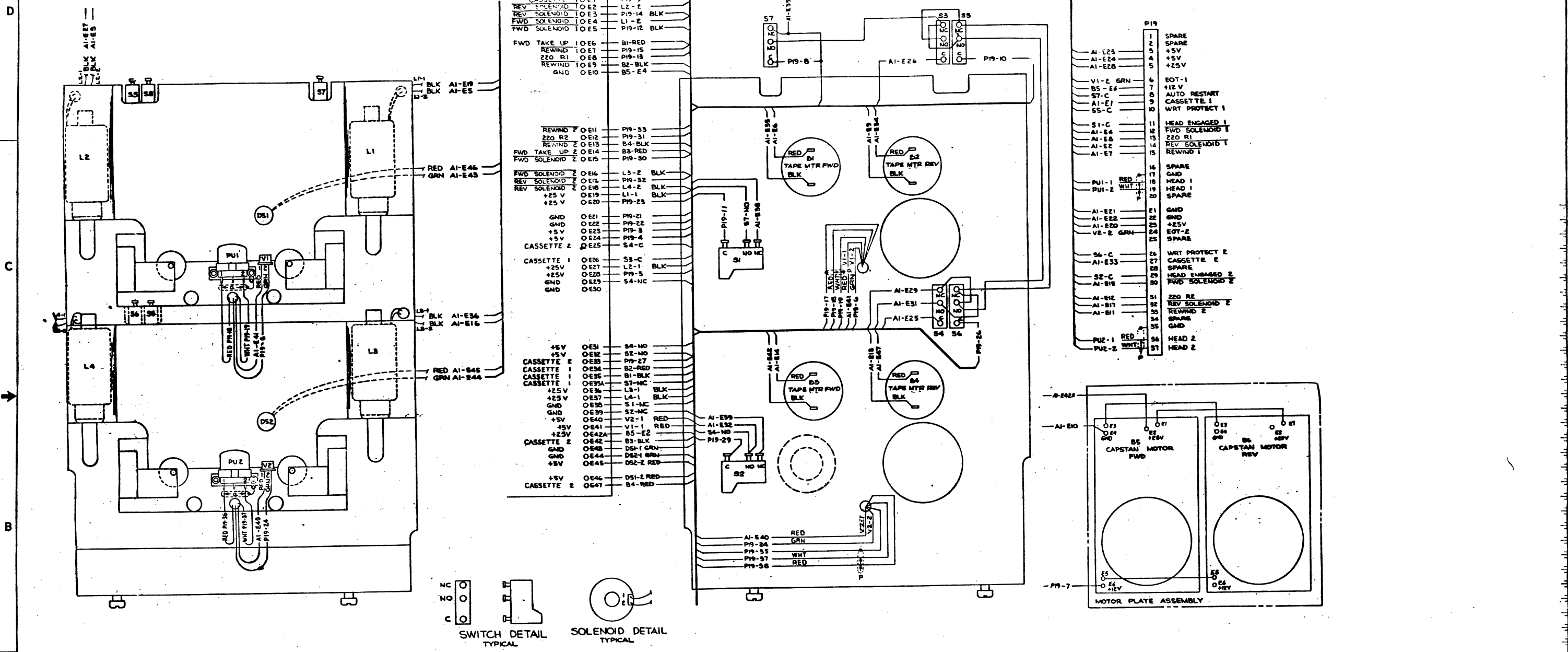
REV	D	03-1-17-0001	G
SCALE	NONE	3	4

03-1-17-0001 B



XA1	SHEET I
XA2	11 2
XA3	F 2
XA4	F 2
XA5	F 2
A17	F 2

REVISIONS				
ZONE	LET	DESCRIPTION	DATE	APPROVED
A		REVISE PER E.O. 2905	10/14/73	
B		INC E.O. 3297	11/13/73	
C		INCORP E.O. 3928	11/13/73	
D		INCORP E.O. 4209	11/13/73	



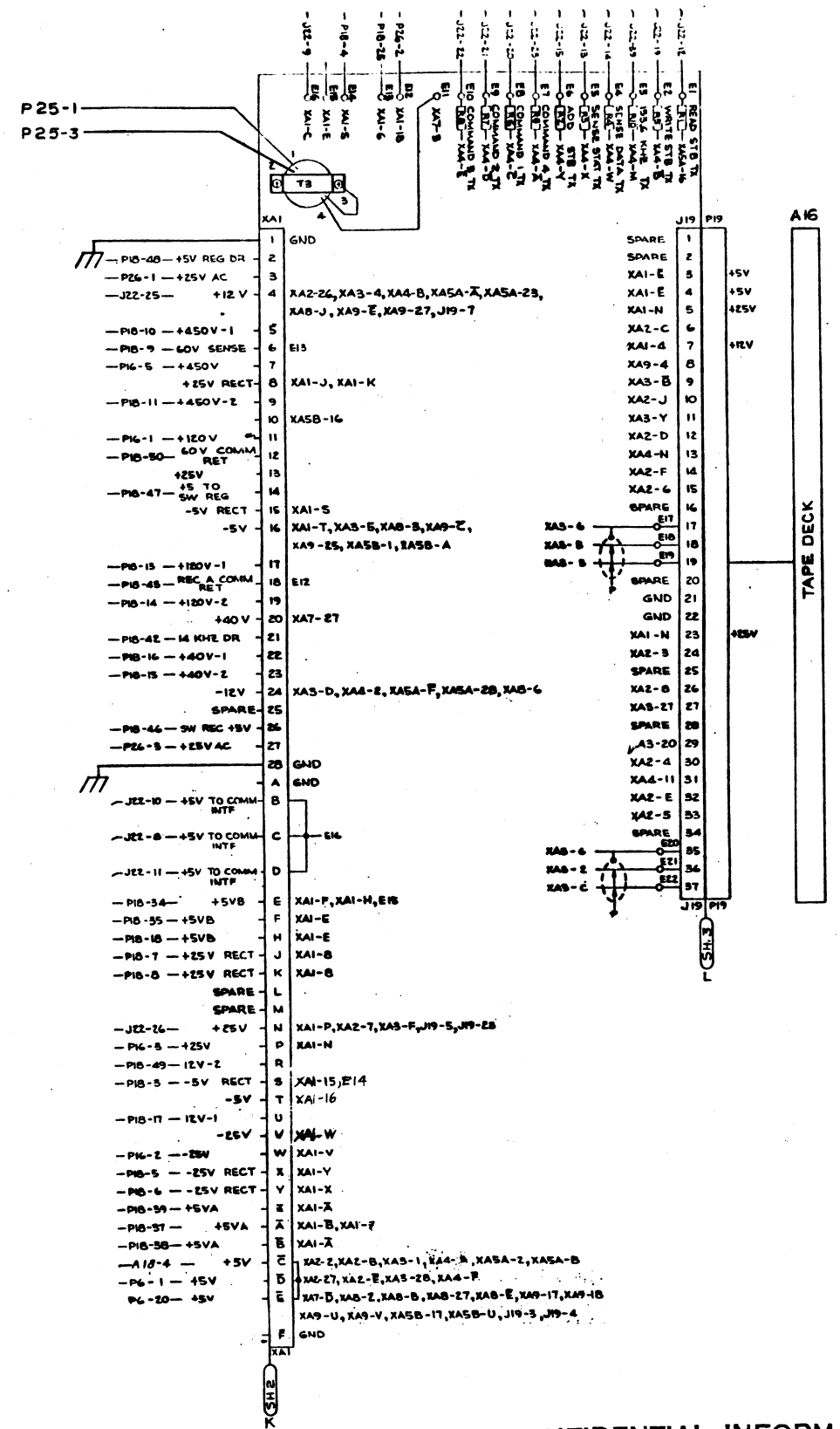
DATEPOINT CONFIDENTIAL INFORMATION

1. THIS DIAGRAM IS NOT TO BE CONSTRUED AS AN EXACT PHYSICAL REPRESENTATION OF THE DATEPOINT 2200 TAPE DECK.
 NOTES: (UNLESS OTHERWISE SPECIFIED)

QTY	CTC PART NO.	NOMENCLATURE	VENDOR PART NO.	VENDOR	REF DES	ITEM
PARTS LIST						
2200		UNLESS OTHERWISE SPECIFIED ALL DIMENSIONS ARE IN INCHES AND INCLUDE APPLIED FINISH.		Computer Through Corporation		8725 DATAPONT DR. SAN ANTONIO, TEXAS 78229 512-595-4889
		TOLERANCES FRACTIONS ± X ± DECIMALS MATERIAL:		Checked: <i>DMore</i> 2/22/73 Design Engineer: <i>W. B. W.</i> 2/26/73 Project Engineer:		
						WIRING DIAGRAM, TAPE DECK
						SIZE: D, DWG NO: 03-1-17-0002, REV: D
						SCALE: SHEET 1 OF 1

03-1-17-0002

REVISIONS				
ZONE	LET	DESCRIPTION	DATE	APPROVED
A	INC	EO 3286 K.KNOWLES	7-7-72	<i>[Signature]</i>
B	INCORP	EO 2869 & 2863	2-22-73	<i>[Signature]</i>
		WAS J REDRAWN TO D		<i>[Signature]</i>



EO 5171, 5186 OUTSTANDING
EO 5208

QTY	CTC PART NO.	NOMENCLATURE	VENDOR PART NO.	VENDOR	REF DES	ITEM
PARTS LIST						
		UNLESS OTHERWISE SPECIFIED ALL DIMENSIONS ARE IN INCHES AND INCLUDE APPLIED FINISH.	DRAWN	DATE	 5725 DATAPoint DR. SAN ANTONIO, TEXAS 78228 512-595-4828	
		TOLERANCES	CHECKED	DATE		
		FRACTIONS ±	<i>[Signature]</i>	2-16-72	CONNECTION DIAGRAM MOTHERBOARD A17	
		ANGLES ±	DESIGN ENGINEER	DATE		
		X ±	<i>[Signature]</i>	2/16/73	SIZE D	
		DECIMALS	PROJECT ENGINEER	DATE		
		XXX ±			DWG NO. 03-1-17-0024	
		MATERIAL:				
					REV B	
					SCALE NONE	
					SHEET 1 OF 3	

DATAPOINT CONFIDENTIAL INFORMATION

NOTES: (UNLESS OTHERWISE SPECIFIED)

03-1-17-0024 B

8 7 6 5 4 3 2 1

D

D

C

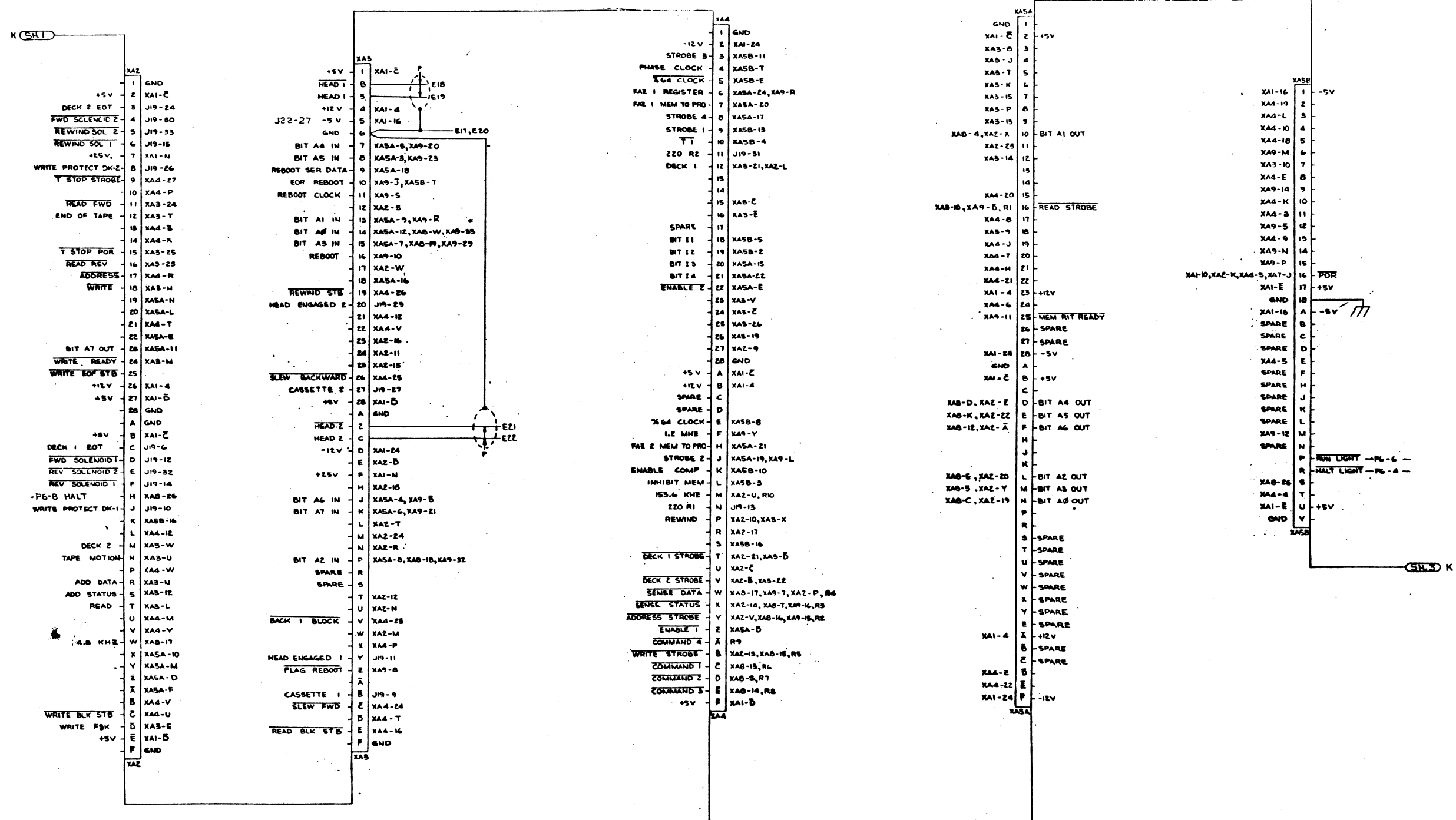
C

B

B

A

A



DATAPOINT CONFIDENTIAL INFORMATION

MOTHERBOARD A17

	5725 DATAPoint DR. SAN ANTONIO, TEXAS 78229 512-992-0888		SIZE D	DWG NO. 03-1-17-0024	REV B
	SCALE		SHEET 2	OF 3	

03-1-17-0024

D

C

B

A

D

C

B

A

K (SH-1)

XAT	1	XAT
XAB-C	2	XAB-C
E11	3	6.5V FIL - J20-B
XAB-B	4	MINOR VERT DEFL
XAB-L	5	END OF FRAME
XAB-25	6	CYCLE 1
XAT-12	7	
	8	MIDDLE DR - P21-4
	9	MIDDLE DR - P21-5
	10	WRITE YOKE - P17-7
XAB-25	11	MORE TIME PULSE
XAT-7	12	HOR CUR SEAD - P17-3
	13	HOR YOKE - P17-4
	14	HOR DR - P17-11
XAB-22	15	MIN VERT DEFL
	16	HOR DR - P17-6
XAB-A	17	DA/1
XAB-7	18	DA/4
XAB-11	19	DA/8
XAB-10	20	DA/2
	21	VERT DR - P17-10
	22	VERT YOKE - P17-1
	23	VERT DR - P17-12
	24	VERT CUR SENSE - P17-2
	25	55V FUSED - P21-2
	26	CRT VIDEO - J20-2
XAI-20	27	
XAB-21	28	Z AXIS MOD
GND	A	
GND	B	
GND	C	
GND	D	
	E	15V FUSED - P21-1
XAB-24	F	INHIBIT DISPLAY
XAB-5	H	CLEAR DISPLAY
XAB-16	J	
	K	SPARE
	L	SPARE
	M	SPARE
	N	SPARE
	P	SPARE
	R	SPARE
	S	SPARE
	T	SPARE
	U	SPARE
	V	SPARE
	W	SPARE
	X	SPARE
	Y	SPARE
	Z	SPARE
	AA	SPARE
	AB	SPARE
	AC	SPARE
XAI-E	D	+5V
GND	E	
GND	F	
XAT		

XAB	1	XAB
GND	2	+5V
XAI-E	3	-5V
XAI-16	4	
XASA-10	5	
XASA-M	6	-12V XA9-J SWEDISH 2200 KATAKANA
XAI-24	7	
XAT-18	8	ZERO CROSSING
XAT-2	9	KEYBD LIGHT - P6-5
XAT-20	10	
XAT-19	11	
XASA-F	12	
XAA-Z	13	
XAA-E	14	
XAA-B	15	
XAA-Y	16	
XAA-W	17	
XAS-P	18	
XAS-15	19	
XA9-G	20	ADDRESS
XAT-28	21	
XAT-15	22	
XAT-6	23	
XAT-F	24	
XAT-11	25	
XAS-8, XA9-K, XA2-H	26	HALT
XAI-E	27	+5V
GND	28	
GND	A	
XAI-E	B	+5V
XASA-N	C	
XASA-D	D	
XASA-L	E	
	F	SPARE
	H	SPARE
XAI-4	J	+12V
XASA-E	K	
XAT-5	L	
	M	DISPLAY LIGHT - P6-5
	N	SPARE
	P	SPARE
	R	SPARE
XAA-D	S	
XAA-X	T	
	U	KEYBD SW - P6-14
	V	DISPLAY SW - P6-12
XAS-14	W	
	X	SPARE
	Y	SPARE
	Z	SPARE
XAT-17	AA	
XAT-4	AB	
XA9-15, XAT-1, XAA-15	C	7.5 CPS MOD & CL
XAT-H	D	
XAI-E	E	+5V
GND	F	
XAB		

XA9	1	GND
	2	GND
	3	NUMERIC PER - P6-25
J19-B	4	AUTO RESTART
XASB-12	5	REBOOT POR
XAB-E0	6	
XAA-W	7	
XAS-E	8	
	9	RUN SW - P6-15
XAS-16	10	
XASA-25	11	
XASB-M	12	WORD SELECT
XAB-Z	13	
XAB-9	14	RUN SWITCH GATED
XAA-Y	15	
XAA-X	16	
XAI-E	17	+5V
XAI-E	18	+5V
	19	COMM BIT 7 - J22-18
XAS-7	20	
XAS-K	21	
	22	COMM BIT 6 - J22-7
XAS-B	23	
	24	COMM BIT 5 - J22-6
XAI-16	25	-5V
	26	COMM BIT 4 - J22-5
XAI-4	27	+12V
	28	ADD BIT 4 - P6-16
XAS-15	29	
	30	COMM BIT 2 - J22-5
	31	COMM BIT 1 - J22-2
XAS-P	32	
XAS-14	33	
	34	ADD BIT 1 - P6-80
GND	35	
GND	36	
GND	A	
GND	B	
	C	CANCEL - P6-7
	D	ENTER - P6-24
	E	BACK SPACE - P6-15
	F	10 KEY GND - P6-21
	H	SPACE - P6-32
	J	-12V XAB-6 SWEDISH 2200 KATAKANA
XAS-26	K	
XAA-J	L	
XASB-6	M	INCREMENT P
XASB-14	N	EDR REBOOT
XASB-15	P	RESET F
XAA-6	R	
XAS-11	S	
	T	110 - P6-24
XAI-E	U	+5V
XAI-E	V	+5V
	W	SHIFT LOCK - P6-35
	X	011 - P6-11
XAA-F	Y	
	Z	RESTART - P6-2
	AA	111 - P6-9
XAS-J	B	
XAI-16	C	-5V
XASA-16	D	
XAI-4	E	+12V
	F	SHIFT - P6-27
	H	COMM BIT 3 - J22-4
XA9-10	J	
XAS-18	R	
	C	ADD BIT 5 - P6-28
	M	ADD BIT 2 - P6-29
	Q	COMM BIT 0 - J22-1
GND	P	
GND	R	
XA9		

DATAPOINT CONFIDENTIAL INFORMATION



6725 DATAPoint BL.
SAN ANTONIO, TEXAS
78229
512-388-4200

MOTHER BOARD A17

SIZE	D	DWG NO.	03-1-17-0024	REV	B
SCALE	NONE	SHEET	3	OF	3

03-1-17-0024

UNIT REVISION		
323-10	ED	ENGR. S/O
V	4370	
W	4652	
X	5027	

REVISIONS				
ZONE	LET	DESCRIPTION	DATE	APPROVED
	A	REDRAWN & INC. EO 3280, 3337, 4255 K. Rasmussen 10/3/71	10/3/71	
	B	H.C. EO # 3325 & 3455 F.W. Johnson 12-9-71	12-9-71	
	C	H.C. EO 3462 H.C. 1-27-72	1-27-72	
	D	H.C. EO 3467, EO 3527 H.C. 1-27-72	1-27-72	
EA	E	INC EO 2801 H.C. 1-27-72	1-27-72	
	F	INC EO 3620 K. Rasmussen 5/10/72	5-10-72	
	G	INC EO 2811 K. Rasmussen 5/10/72	5-10-72	
	H	EO 3622 PRODUCTION EX ONLY 3/10/72	3-10-72	
0-1	J	INC EO 2844 H.C. 3-20-72	3-20-72	
REVISION	K	H.C. EO 3300 R. MALMSTEAD 4-15-72	4-15-72	
	L	INCORP EO 3723 MICKERS 7-18-72	7-18-72	
	M	INCORP EO 3837 MICKERS 7-18-72	7-18-72	
	N	INCORP EO 3928 M VICKERS 7-18-72	7-18-72	
	P	INCORP EO 3953 MICKERS 7-18-72	7-18-72	
	R	INCORP EO 3842 M VICKERS 7-25-72	7-25-72	
	S	INCORP EO 4033 H.C. 9-7-72	9-7-72	
	T	INCORP EO 4204 H.C. 2-17-73	2-17-73	
	U	INCORP EO 4252 H.C. 2-21-73	2-21-73	
	W	AS F size added REV S.T.U. 2-27-73	2-27-73	
	V	INC EO 4270 D.R./D.L. 5-18-73	5-18-73	
	W	H.C. EO 5027 U. Ogilvie 10/1/73	10/1/73	

- 23 CHECK FOR PROPER FUNCTIONING OF END OF TAPE SENSOR USING A CASSETTE.
 - 22 SET TAPE SPEED TO 12,000 HZ ±250 HZ USING CTC MODEL NO. 2200-158.
 - 21 CHECK HEAD AZIMUTH WITH CTC MODEL NO. 2200-158 REPLACE IF OUT OF TOL. AND RECHECK PER NOTE #18.
 - 20 ADJUST FRONT CLIPS (ITEM 59) TO JUST TOUCH TOOL #7 WITH HEAD (ITEM 68) DISENGAGED.
 - 19 CHECK HEAD (ITEM 68) ALIGNMENT WITH CTC MODEL NO. 2200-159, FOR PERPENDICULARITY, TAPE GUIDE HEIGHT AND INSERTION DEPTH PER ITEM 115. REPLACE IF OUT OF TOL. (NEVER SHIM FRONT LOCATORS).
 - 18 ADJUST CASSETTE SENSING SWITCHES (ITEM 62) FOR APPROPRIATE FUNCTIONING USING TOOL #8. ADJUST HEAD ENGAGED SWITCHES (ITEMS 63 & 64) WITH TOOL #8.
 - 17 ADJUST PINCH ROLLER TO CAPSTAN, GAP TO $\frac{.022}{.018}$ BY BENDING ACTUATOR (ITEM 34).
 - 16 PRESS PIN (ITEM 17) INTO SLIDE PLATE (ITEM 16) AND ALLOW .469 PROTRUSION FROM BOTTOM.
 - 15 LOCATION AND QUANTITY OF ADHESIVE CLIP (ITEM 100) IS TO BE DETERMINED AT ASSEMBLY.
 - 14 THIS FASTENER IS NOT TO HAVE THE LOCTITE APPLIED (4 PLACES).
 - 13 SECURE INSULATOR (ITEM 95) TO SHIELD (ITEM 94) WITH GLUE (ITEM 97).
 - 12 APPLY GREASE (ITEM 12) TO AREA AROUND BALL BEARING (ITEM 11) 8 PLACES.
 - 11 WHEN SOLENOID IS ENERGIZED FULLY, THERE SHOULD BE $\frac{+.015}{-.005}$ BETWEEN TIP (ITEM 43) AND SOLENOID (ITEM 42).
 - 10 REINSTALL MODIFIED PLUNGER ASSY INTO SOLENOID.
 - 9 ALIGN HOLE IN BASE, PINCH ROLLER (ITEM 20) WITH HOLE IN HOLDER, PINCH ROLLER (ITEM 21) AND PRESS PIN (ITEM 22) THROUGH TO FLUSH ON TOP.
 - 8 ALIGN HOLE IN PINCH ROLLER (ITEM 23) WITH HOLE IN HOLDER (ITEM 21) AND PRESS PIN (ITEM 52) INTO, BOTH, PIN WILL BE FLUSH ON TOP.
 - 7 ATTACH PHOTO CELL (ITEM 14) TO BRACKET (ITEM 15) WITH EASTMAN 910 (ITEM 108).
 - 6 SOLDER WIRE - RED & GREEN (ITEMS 39 & 40) TO THE TWO LEADS ON THE LAMP (ITEM 37). SLEEVE THE RED WIRE WITH ITEM 38, THEN CENTER LAMP IN HOLE OF LOCATOR FORWARD/LIGHT SOURCE (ITEM 5). SECURE WITH ROUND TOOTHPICK (ITEM 105), SECURE BOTH WITH RTV 108 (ITEM 104).
 - 5 SECURE SHIELD -1 & -2 (ITEM 25 & 26) WITH CLAMP (ITEM 29).
 - 4 SECURE PULLEY (ITEM 27) TO MOTOR SHAFT WITH LOCTITE PRIMER NF (ITEM 98) & MINUTE BOND (ITEM 99). THERE SHOULD BE $\frac{.125}{.1005}$ BETWEEN MOTOR MOUNT PLATE (ITEM 30) & PULLEY (ITEM 27).
 - 3 FINAL ADJUSTMENT OF TAPE HEAD (ITEM 68) TO BE MADE AT THIS ASSY (03-1-09-0200, ITEM 1).
 - 2 PRESS FIT BEARING (ITEM 33) INTO PLATE (ITEM 30) USING SMALL AMOUNT OF LOCTITE PRIMER NF & MINUTE BOND (ITEM 98 & 99). CHECK TO ASSURE THE TOP SURFACE OF THE BEARING IS PARALLEL TO THE PLATE.
- ALL FASTENERS TO BE SECURED WITH LOCTITE PRIMER NF & MINUTE BOND (ITEM 98 & 99)

- 37 CAUTION, WASHER (519-20), ITEM 109 MUST HAVE SUFFICIENT OIL TO AVOID WICKING OIL FROM THE CAPSTAN BEARING (131-42), BUT OIL FROM THE FELT WASHER MUST NOT DRAIN TO THE TAPE OPERATING AREA.
- 36 BEND LARGE LOOP END OF TOGGLE SPRING (ITEM 35), TO CLEAR CAPSTAN HOUSING (ITEM 9). CRIMP BOTH SMALL LOOPED ENDS OVER DRIVE PINS (ITEM 17, 4 PLACES) TO PREVENT LOSS OF SPRING.
- 35 USE TOOL #6 WITH TOOL #2 (TUBES) TO LOCATE CAPSTAN HOUSINGS WITH RESPECT TO TAPE DECK (ITEM 3).
- 34 USE TOOL #6 & TORQUE 4-40 SCREWS (ITEM 80) TO 6.8 IN. LBS.
- 33 PLACE TOOL #4 OVER FORWARD LOCATORS (ITEM 4 & 5), TORQUE 4-40 SCREWS (ITEM 76) TO 3 IN. LBS.
- 32 APPLY A FILLET OF PLIO-BOND (ITEM 97), ALONG EACH SIDE OF SOLENOIDS (ITEM 42) & TAPE DECK MOLDED (ITEM 3).
- 31 LOCATE SPLIT IN PIN, SPRING (ITEM 71) AWAY FROM SLIDE PLATE (ITEM 16).
- 30 ALIGN HOLE IN LOCATOR FORWARD/LIGHT SOURCE (ITEM 5) TO FACE PHOTO-CELL (ITEM 14) SQUARELY. SWAGE LOCATOR FORWARD (ITEMS 4 & 5) & LOCATOR REAR (ITEM 6) WITH P-31 PRESS, FAR SIDE (8 PLACES).
- 29 CHECK RUNOUT OF FLYWHEEL CAPSTAN ASSY (ITEM 8) BEFORE ASSY WITH BUCKET ENGINEERING RUNOUT TESTER. SCRAP ALL PARTS WHICH ARE OVER .0007" RUNOUT.
- 28 LUBRICATE THE HOLDER, PINCH ROLLER (ITEM 21) TOP & BOTTOM (ADIACENT TO .063 DIA. HOLE) WITH GREASE (ITEM 12) TO PREVENT BINDING WITH BASE, PINCH ROLLER (ITEM 20) 4 PLACES.
- 27 SOAK BRONZE BEARING (ITEM 10) OVERNIGHT IN SHELL SAE-20 MOTOR OIL. DRAIN EXCESS OIL ON PAPER TOWELS FOR 8 HOURS MINIMUM. PRESS BEARING INTO HOUSING CAPSTAN (ITEM 9) WITH P-1 ARBOR PRESS. BURNISH ASSY WITH TII-D AND A SPIRALLY GROOVED CAPSTAN TO SIZE BEARINGS. SEE CAUTION NOTE #37.
- 26 CHECK SPINDLE SLIP BY STRAIGHT 8 LB. PULL TEST. IF SPINDLE SLIPS REMOVE AND REPLACE WITH NEW THREAD, ITEM 107.
- 24 CLAMP BOTH GUIDE SLIDE PLATES (ITEM 48) WITH TOOL #19. TAP EACH SIDE TO CENTER THE SLIDE PLATE. TIGHTEN 4-40 x 1/2 SCREWS (ITEM 74) 4 PLACES TO 10 IN. LBS. TORQUE. ENGAGE BOTH SOLENOIDS TO CHECK FOR SLIDE PLATE COCKING. RE-ADJUST SLIDE PLATE GUIDES IF NECESSARY.

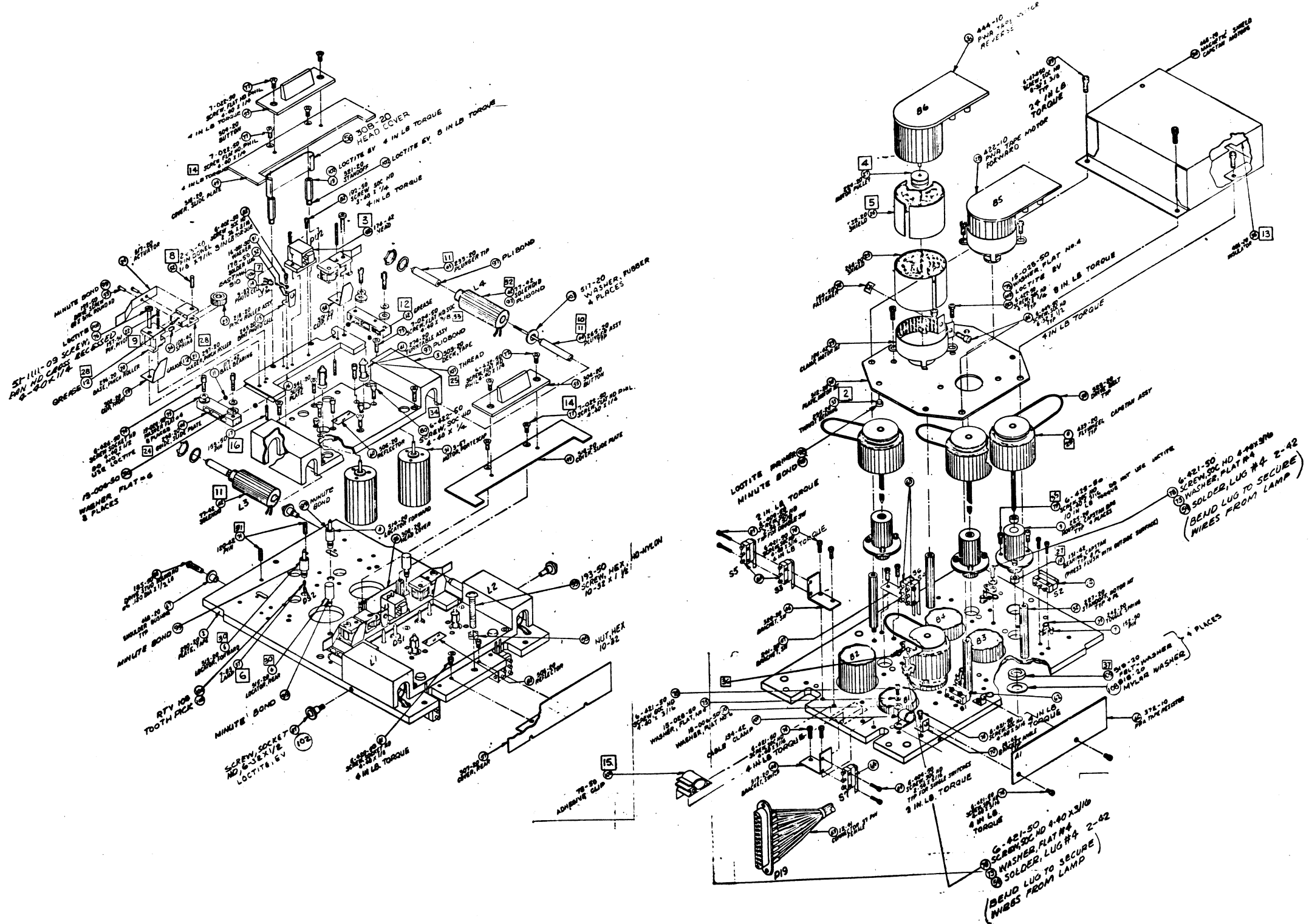
DATEPOINT CONFIDENTIAL INFORMATION

EO 5129, 5132, 5159 OUTSTANDING
EO 5176 REF., EO 5174, 5217, 5218, 5309, 5395, 5448
UNIT REVISION IN ZONE D3

QTY	CTC PART NO.	NOMENCLATURE	VENDOR PART NO.	VENDOR	REF DES	ITEM
PARTS LIST						
002 03-1-09-0200 DATE	UNLESS OTHERWISE SPECIFIED ALL DIMENSIONS ARE IN INCHES AND INCLUDE APPLIED FINISH.	DATE	Computer Terminal Corporation			
	TOLERANCES	213-73	8725 DATEPOINT DR. SAN ANTONIO, TEXAS 78229 512-600-6233			
	FRACTIONS ± ANGLES ±	DATE	TAPE DECK ASSEMBLY, CAPSTAN			
	DECIMALS ± JOE ± JOE ±	DATE	03			
MATERIAL:	PROJECT ENGINEER	DATE	D 03-1-09-0200 W			
SCALE NONE CTCPN 323-10 SHEET 1 OF 2						

NOTES: (UNLESS OTHERWISE SPECIFIED)

03-1-09-0200



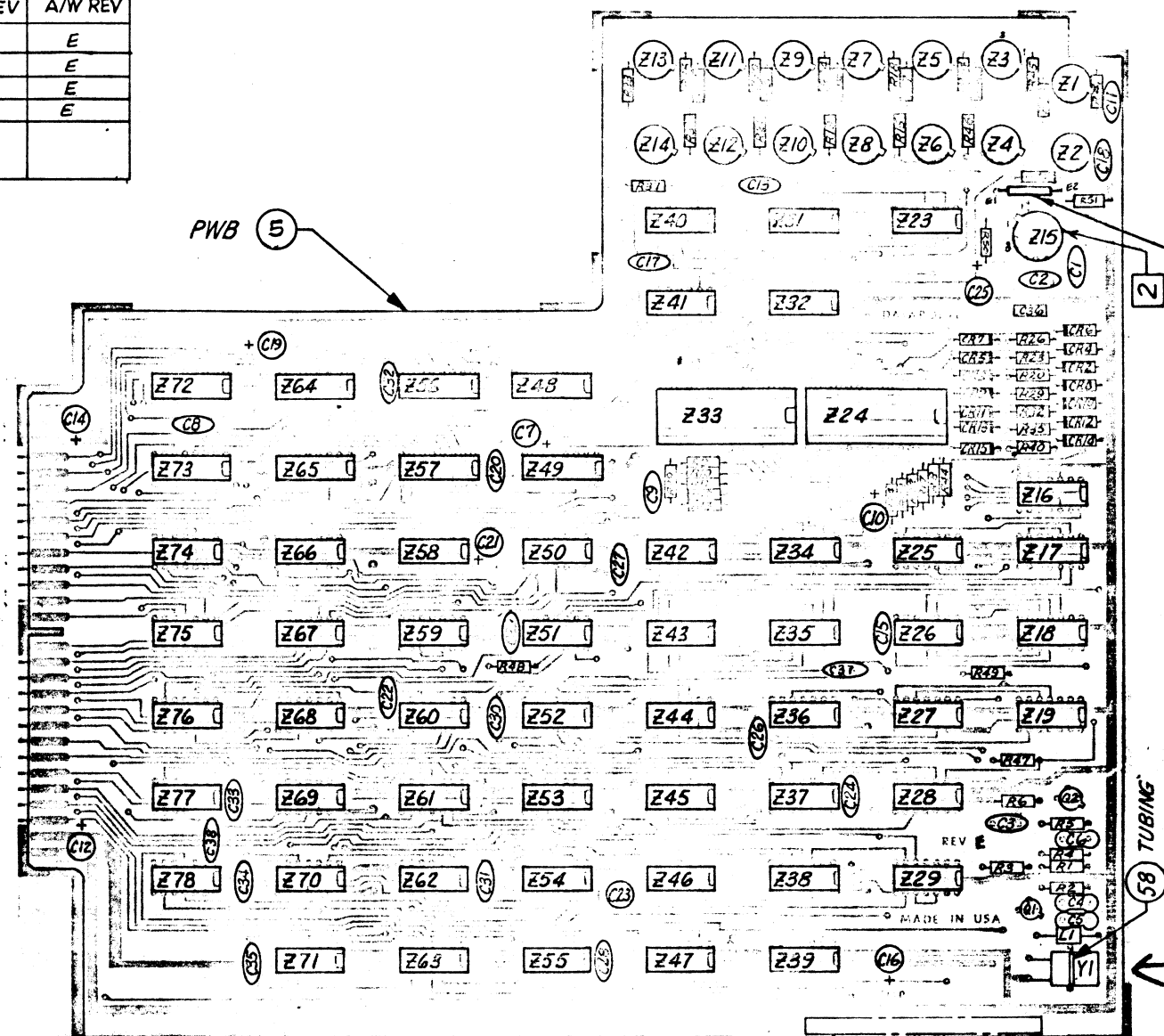
DATEPOINT CONFIDENTIAL INFORMATION

TAPE DECK ASSEMBLY, CARSTAN

	8775 DATAPORT BL. DALLAS, TEXAS 75228 812-688-8888	SIZE D	DWG NO. 03-1-09-0200	REV M
	SCALE NONE	SHEET 2 OF 2		

03-1-09-0200

REVISION TABLE			
ENG NO.	MFG NO.	ASSY REV	A/W REV
-801	303-10	L	E
-802	471-10	L	E
-803	474-10	L	E
-804	552-10	B	E



REVISIONS					
AW REV LTR	ZONE	LFT	DESCRIPTION	DATE	APPROVED
	B		REPLACES SK-03-1-03-0011 WITH CHANGE, SEE DCN 1752 DCN 1759. K. Kusulas 12/9/70	1/11/71	J. Mone
	C		INCRP. DCN* 2109 Ken Kusulas 5/14/71	3-22-71	JFA
B	D		INCRP EO 1095 Ray Dixon 4/21/71	4-27-71	JFA
C	E		INCRP EO 2902 M VICKERS 5/18/71	5-26-71	JFA
C	F		INC EO 2924 F REDRAW. J.T. HUBB 10-23	10-20-71	JFA
D	G		INC EO 3852 Schmidt 6-21-72	6-27-72	JFA
D	H		CREATE -802 & -803 Schmidt 6-21-72	6-27-72	JFA
D	J		INC EO* 3941 Jim L. Lark 4-9-73	4-11-73	JFA
D	K		INC EO 5004 M. L. Lark 9-28-73	10-1-73	JFA
S	L		INC EO 5118 Phil Lam 2-14-74	2-18-74	JFA
E	M		INC EO 5128, 5180 Phil Lam 2-15-74	2-18-74	JFA

CONFIDENTIAL PROPRIETARY INFORMATION

This item is the property of Datapoint Corporation, San Antonio, Texas, and contains confidential and trade secret information. This item may not be transferred from the custody or control of Datapoint except as authorized by Datapoint and then only by way of loan for limited purposes. It must not be reproduced in whole or in part and must be returned to Datapoint upon request and in all events upon completion of the purpose of the loan.

Neither this item nor the information it contains may be used by or disclosed to persons not having a need for such use or disclosure consistent with the purpose of the loan, without the prior written consent of Datapoint.

MARK ASSY "03-1-03-0011-801 REV "L" OR "03-1-03-0011-802 REV "L" OR "03-1-03-0011-803 REV "L" OR "03-1-03-0011-804 REV "B"

WITH .12 HIGH CHARACTERS COLOR - BLACK, LOCATE APPROX AS SHOWN.

FOR PARTS LIST SEE PL-03-1-03-0011
EO 5322, 5361 OUTSTANDING

QTY	CTC PART NO.	NOMENCLATURE	VENDOR PART NO.	VENDOR	REF DES	ITEM
PARTS LIST						
SWEDISH II Z00	SWEDISH Z00	MEMORIX Z00	MEMORIX Z00	MEMORIX Z00	MEMORIX Z00	MEMORIX Z00
03-1-09-000	03-1-09-000	03-1-09-000	03-1-09-000	03-1-09-000	03-1-09-000	03-1-09-000
-804	-803	802	-801			
DASH						

UNLESS OTHERWISE SPECIFIED ALL DIMENSIONS ARE IN INCHES AND INCLUDE APPLIED FINISH.	DRAWN J.T. HUBB	DATE 10/9/71	<p>9725 DATAPoint DR. SAN ANTONIO, TEXAS 78229 812-696-4829</p>
TOLERANCES FRACTIONS ± ANGLES ±	CHECKED P. Harris	DATE 10-30-71	
DECIMALS X ± XX ± XXX ±	DESIGN ENGINEER J.F. Alexander	DATE 11-2-71	
MATERIAL:	PROJECT ENGINEER J.F. Alexander	DATE 11-2-71	
	Joe Steen	11-4-71	

SIZE C	DWG NO. 03-1-03-0011	REV NA
SCALE 1-1	DAPT P/N:	SHEET 1 OF 1

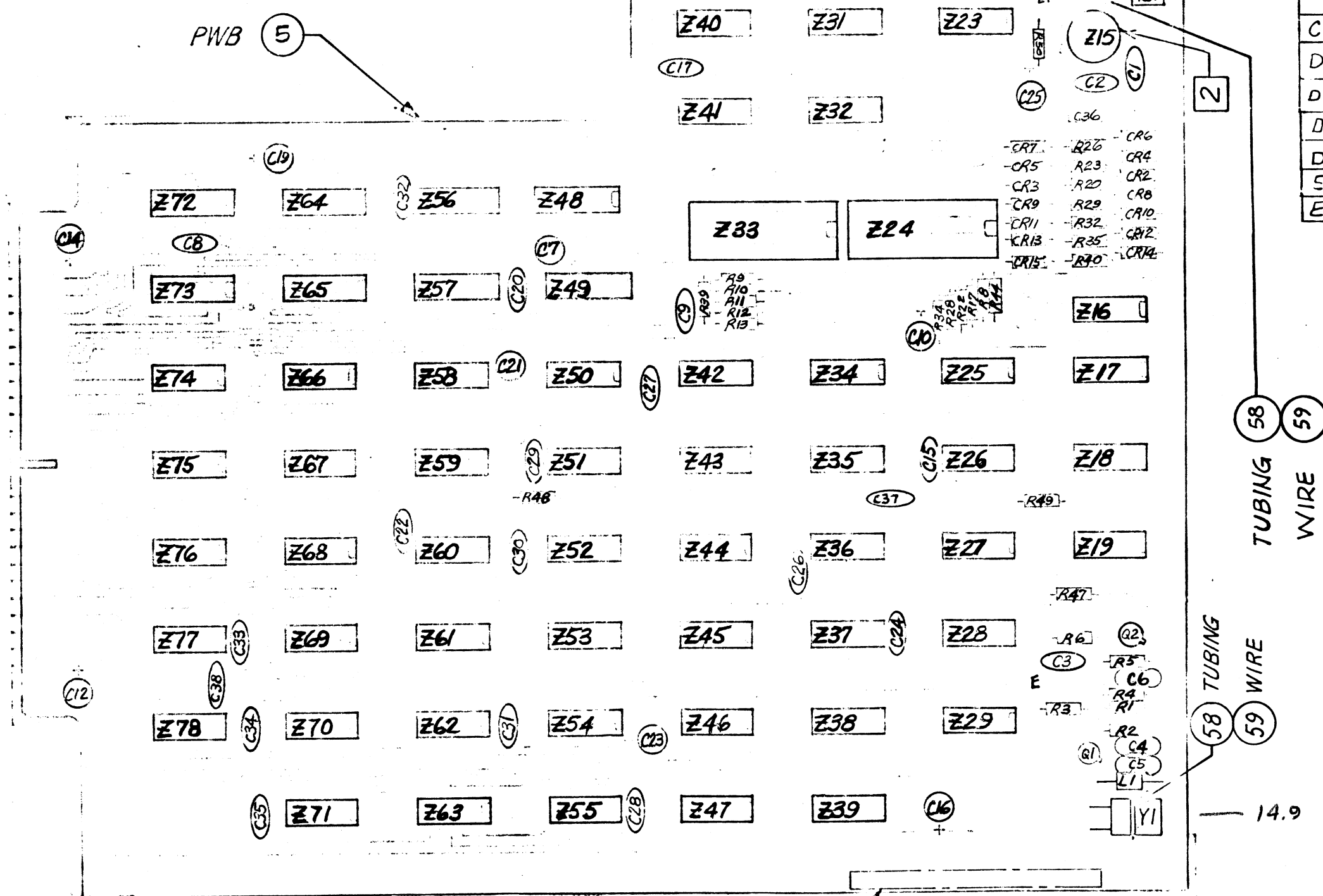
2 WHEN ITEM 26, (Z15) NATIONAL NH0013C, IS REPLACED BY INTERSIL IM5013C-TC, ITEM 47 (C11) MUST BE REPLACED BY ITEM 59, WIRE 22 AWG & ITEM 58, TUBING

1. MAX. COMPONENT HEIGHT ABOVE BOARD TO BE .41,
MAX. LEAD LENGTH BELOW BOARD TO BE .09.

NOTES: (UNLESS OTHERWISE SPECIFIED)

FIG NO.	MFG NO.	ASSY REV	A/W REV
801	303-10	L	E
802	471-10	-	E
803	474-10	-	E
804	552-10	-	E

DATAPOINT CONFIDENTIAL INFORMATION



MARK ASSY "03-1-03-0011-801 REV "L" OR
 "03-1-03-0011-802 REV "L" OR
 "03-1-03-0011-803 REV "L" OR

		B	REPLACES S. WITH CHAN DCN 1759. R. K. 1/57
		C	INCORP. DCN* 2
B		D	INCORP EO 109
C		E	INCORP EO 250
C		F	INC EO 2924 E 1
D		G	INC EO 3852
D		H	CREATE - 802 E
D		J	INC EO# 3941 UM
D		K	INC EO 50
S		L	INC EO E 5
E		M	INC EO 55, 5

CONFIDENTIAL

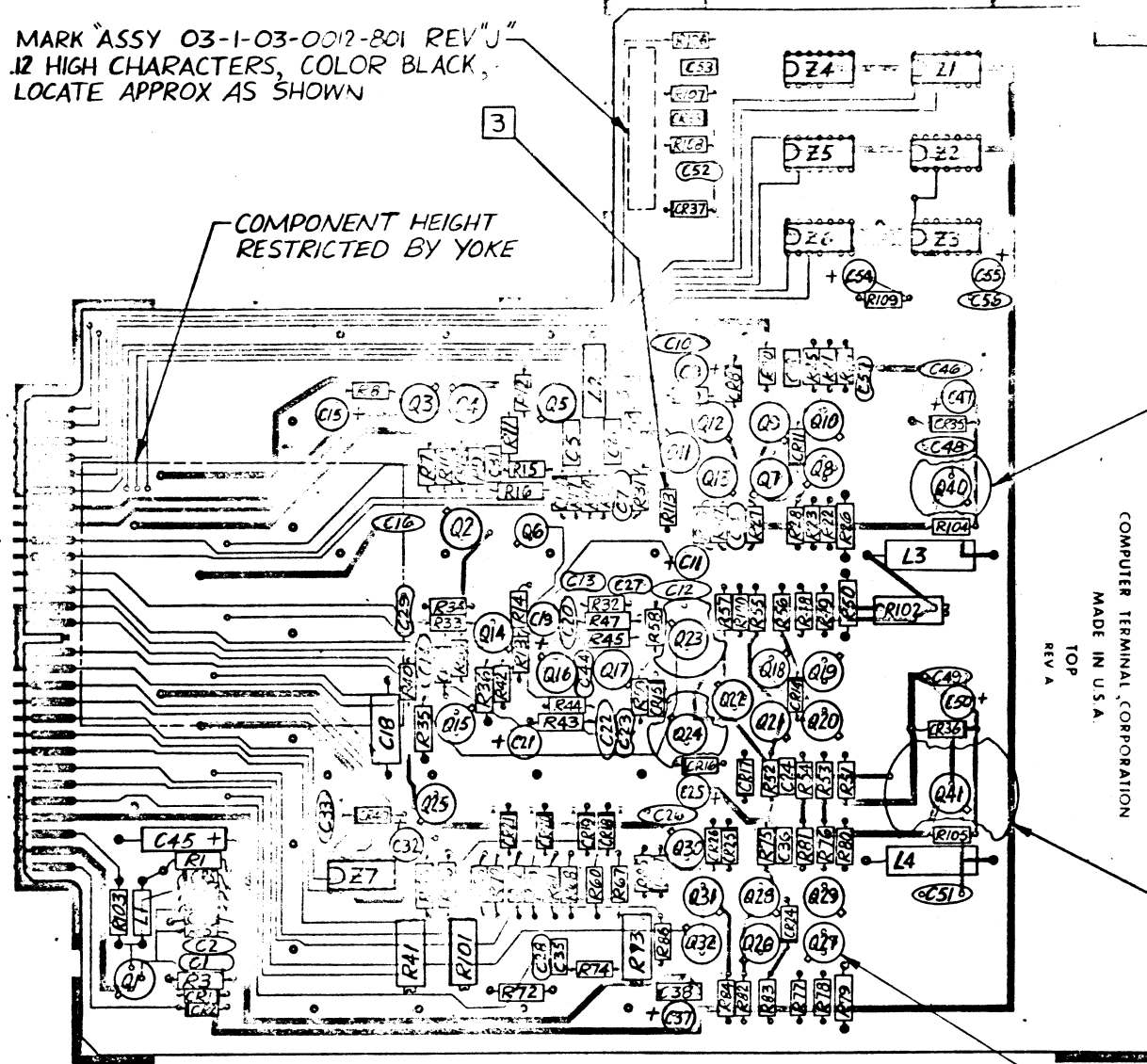
This item is the property of Texas Instruments and contains confidential information. This item may not be transferred, copied, or disclosed to any person without the written consent of Texas Instruments. It must be returned to Texas Instruments upon completion of the purchase. Neither this item nor its contents may be disclosed to any person without the written consent of Texas Instruments.

FOR PARTS LIST SEE 1

D
C
B

MARK "ASSY 03-1-03-0012-801 REV" J"
.12 HIGH CHARACTERS, COLOR BLACK,
LOCATE APPROX AS SHOWN

COMPONENT HEIGHT
RESTRICTED BY YOKE



72-59 PWB

CONFIDENTIAL PROPRIETARY INFORMATION

This item is the property of Datapoint Corporation, San Antonio, Texas, and contains confidential and trade secret information. This item may not be transferred from the custody or control of Datapoint except as authorized by Datapoint and then only by way of loan for limited purposes. It must not be reproduced in whole or in part and must be returned to Datapoint upon request and in all events upon completion of the purpose of the loan.
Neither this item nor the information it contains may be used by or disclosed to persons not having a need for such use or disclosure consistent with the purpose of the loan, without the prior written consent of Datapoint.

FOR PARTS LIST SEE PLO3-1-03-0012

EO 5190 OUTSTANDING

- 3 SELECT CORRECT DIDDLE AMPLITUDE AT TEST.
R113 MAY BE REMOVED AS NECESSARY
2 MAX LEAD LENGTH BELOW BOARD TO BE .09
1. MAX COMPONENT HEIGHT ABOVE BOARD TO BE .73

NOTES: (UNLESS OTHERWISE SPECIFIED)

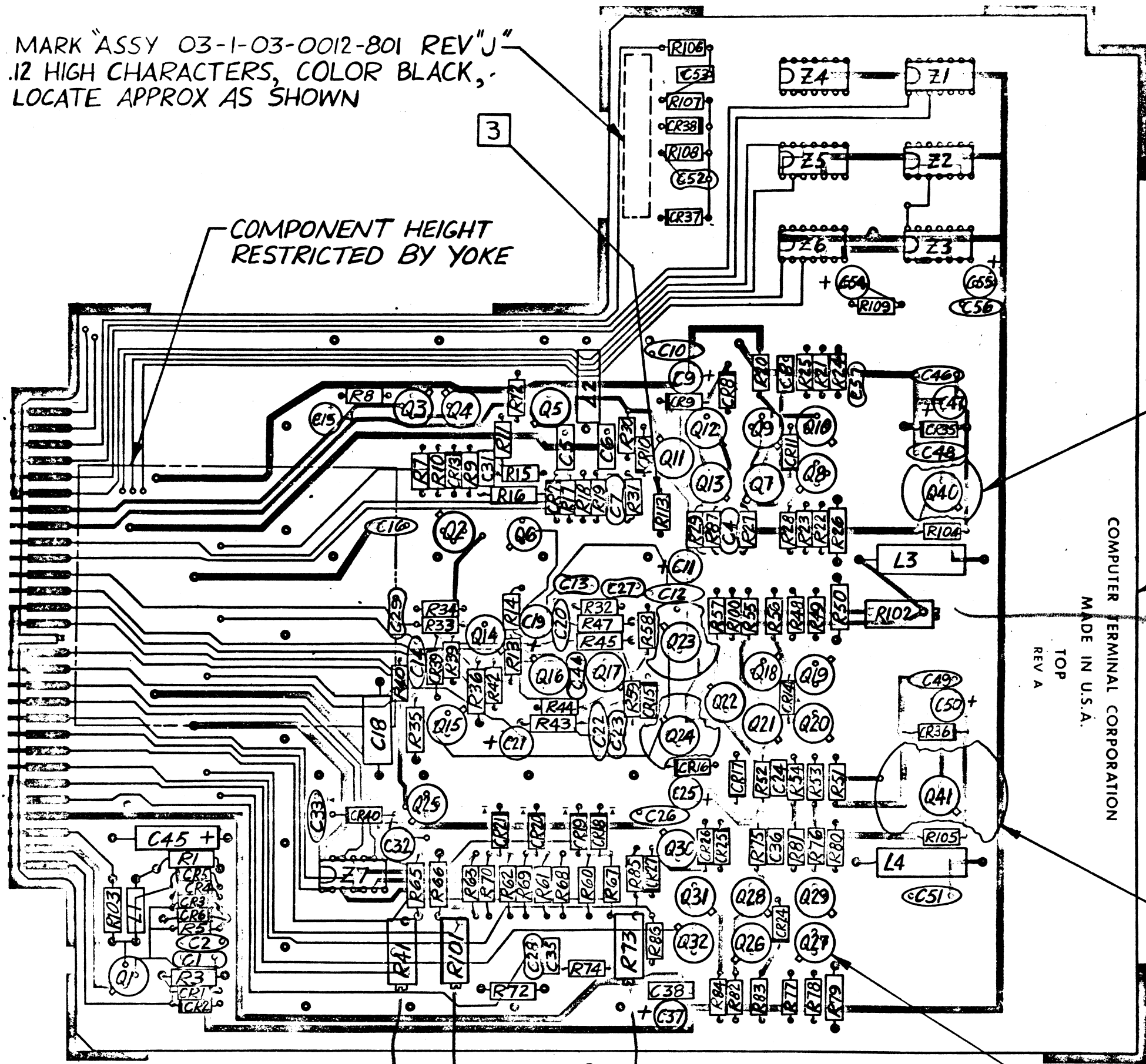
QTY	CTC PART NO	NOMENCLATURE	VENDOR PART NO	VENDOR	REF DES	ITEM
PARTS LIST						
2200		UNLESS OTHERWISE SPECIFIED ALL DIMENSIONS ARE IN INCHES AND INCLUDE APPLIED FINISH TOLERANCES FRACTIONS ± ANGLES ± DECIMALS xx ± xxx ±		Computer Terminal Corporation 8725 DATAPoint DR SAN ANTONIO TEXAS 78228 512 696 4520		
		DRAWN: <i>A. Martin</i> 7/24/72 CHECKED: <i>R. Mahomed</i> 8/30/72 DESIGN ENGINEER		PWA, DEFLECTION, AMPLIFIER		
		PROJECT ENGINEER: <i>J.F. Alexander</i> 8-30-72				
		DASH: <i>Joe Oster</i> 7-30-72				
					C	
					03-1-03-0012	J
					DATAPT. P/N: 301-10	SHEET 1 OF 1

AW/REV LTR	REV	DESCRIPTION	DATE	APPROVED
B		REPLACES SK-03-1-03-0012 WITH CHANGE SEE DCN #17524 1759 K Kowalski 12/8/70	1-25-71	K.P.F.
A	C	INCORP DCN # 2109 E.O. # 1088 3/10/71	4-22-71	
A	D	REDRAWN & INC. E.O. # 3840 2 1/2" draw 7/26/72	8-30-72	J.F.A.
A	E	INCORP E.O. # 3942 Jim L. Lock 4-9-73		
A	F	INCORP E.O. # 3944 Jim L. Lock 4-9-73		
A	G	INCORP E.O. # 4328 Jim L. Lock 4-9-73		
A	H	INCORP E.O. # 4329 Jim L. Lock 4-9-73		
A	J	INC E.O. 4692 M.L. Steiner 3-3-73		

03-1-03-0012
REV J

MARK "ASSY 03-1-03-0012-801 REV J"
 .12 HIGH CHARACTERS, COLOR BLACK,
 LOCATE APPROX AS SHOWN

COMPONENT HEIGHT
 RESTRICTED BY YOKE



1759 K. Knowles 12/8/72

A	C	INCORP. DCN # 2109 EO # 1088	K 3/
A	D	REDRAWN & INC. EO Q. Moin 7/26/72	
A	E	INCORP EO # 3942	Jim
A	F	INCORP EO # 3944	Jim
A	G	INCORP EO # 4328	Jim L
A	H	INCORP EO # 4329	Jim L
A	J	INC EO 4692	U. L. S.

COMPUTER TERMINAL CORPORATION
 MADE IN U.S.A.
 TOP
 REV A

102 3 PLCS

4 72-59
 PWB

LEFT/RIGHT

CONFIDENTIAL

This item is the property of Texas, and contains confidential information. It may not be transferred, copied, or reproduced, except as authorized by the originator. It must be returned to the originator upon completion of the purpose for which it was loaned. Neither this item nor its contents are to be disclosed to persons not authorized to receive it, without the consent of Datapoint.

FOR PARTS LIST SEE PL

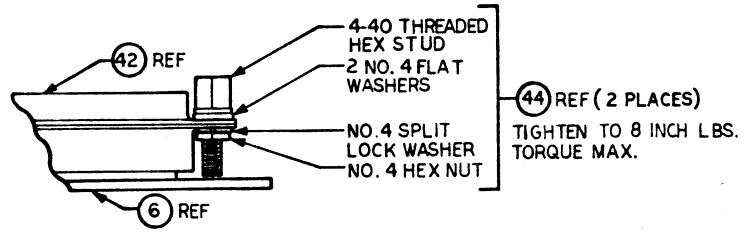
WIDTH UP-DOWN -801 VERT. SIZE

99 TYP

8 7 6 5 4 3 2 1

REVISION TABLE				
ENR. NO.	MFG. NO.	ASSY. REV.	A/N. REV.	ENR. APPL.
-801	10 0346	E	C	

REVISIONS					
A/N. REV.	ZONE	LET.	DESCRIPTION	DATE	APPROVED
	B		REPLACES SK-03-1-03-0014 WITH CHANGE SEE DCN #1753, 1755, 1759	1-18-71 1-18-71	K.P.J. T.D.P.
	C		INCRP DCN #2109	2-28-71	J.F.A.
B			INC EO 1097 CHANGED ITEM #7 PT. NO. WAS 05-2-09-0002	2-10-71 2-22-71	J.F.A. E.P. JARVIS
C			INCRP EO 4034 ITEM 12 WAS .6P, 10V UK-10-109, CENTRALAB	2-27-71	M.L.B.
C			INC. EO 5076 CORRECTED P/W ANALY. REDRAWN; ORBATED S&P 7/4 5/11	1-16-73 10-10-73	J.F.A. J.F.A.

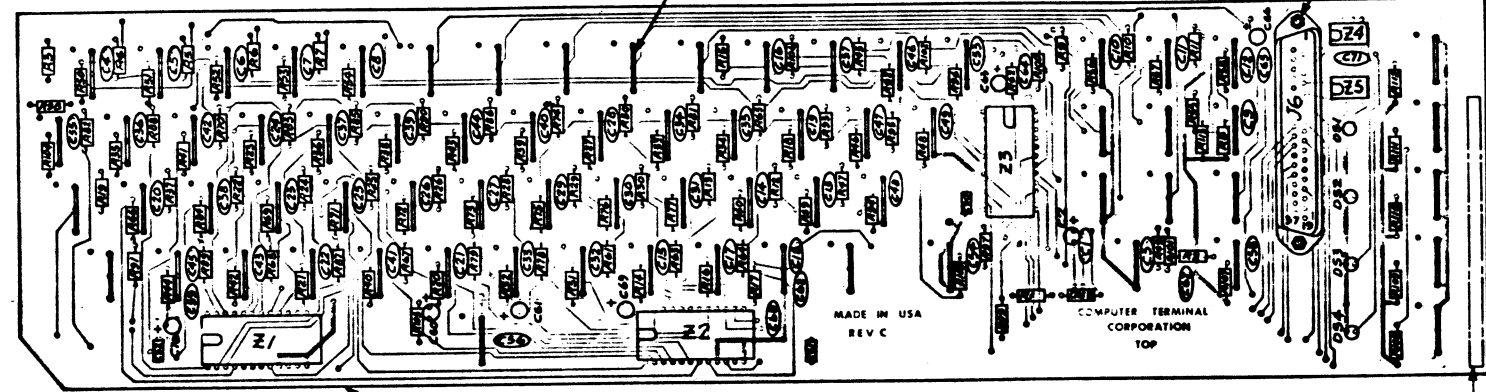


VIEW A-A
ROTATED 90°
SCALE: 2/1

- (9) REED ASSY (REF)
 - (10) 20 0079 REED BRACKET
 - (11) 78 0032 REED
- 71 PLACES

- (43) 41-0100 CONTACT (37 PLACES)
- (44)

-.09 MAX. LEAD LENGTH BELOW BOARD



.80 MAX. COMPONENT HEIGHT ABOVE BOARD

- (6) 59 0074 PWB

MARK ASSY 03-1-03-0014-801 REV E
.12 HIGH CHARACTER, COLOR BLACK,
LOCATE APPROX. AS SHOWN


- 801 (10 0346)

CONFIDENTIAL PROPRIETARY INFORMATION

This item is the property of Datapoint Corporation, San Antonio, Texas, and contains confidential and trade secret information. This item may not be transferred from the custody or control of Datapoint except as authorized by Datapoint and then only by way of loan for limited purposes. It must not be reproduced in whole or in part and must be returned to Datapoint upon request and in all events upon completion of the purpose of the loan.

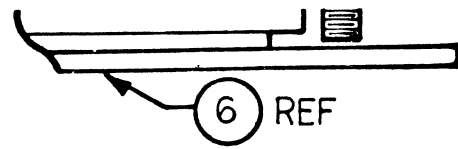
Whether this item and the information it contains may be used by or disclosed to persons not having a need for such use or disclosure consistent with the purpose of the loan, without the prior written consent of Datapoint.

FOR PARTS LIST SEE PL03-1-03-0014

QTY	CTC PART NO.	NOMENCLATURE	VENDOR PART NO.	VENDOR	REF DES	ITEM
		PARTS LIST				
	2200	UNLESS OTHERWISE SPECIFIED ALL DIMENSIONS ARE IN INCHES AND INCLUDE APPLIED FINISH.	DATE	 COMPUTER TERMINAL CORPORATION 5755 METZBOURNE BL. SAN ANTONIO, TEXAS 78239 512-382-4539		
		TOLERANCES	DATE			
		FRACTIONS ±	DATE			
		DECIMALS	DATE			
	03-1-03-0007	MATERIAL:	DATE	PRINTED WIRING ASSY, KEYBOARD		
	03-1-03-0014					
	801		DATE	REV		
			10-17-73	D	03-1-03-0014	F
				SCALE 1/1	PIN 10 0346	SHEET 1 OF 1

NOTES: (UNLESS OTHERWISE SPECIFIED)

03-1-03-0014 REV

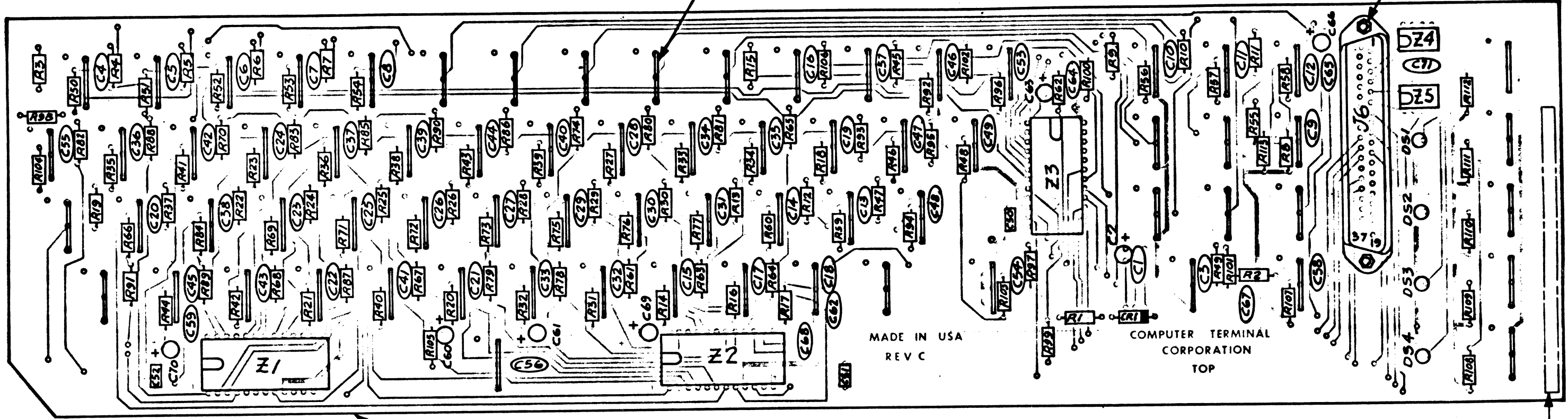


NO. 4 HEX NUT

VIEW A-A
 ROTATED 90°
 SCALE: 2/1

- 9 REED ASSY (REF)
 - 10 20 0079 REED BRACKET
 - 11 78 0032 REED
- } 71 PLACES

- 43 41-0100 CONTACT (37)
- 44



ENT
 DARD

- 6 59 0074 PWB

DATAPOINT CONFIDENTIAL INFORMATION

MARK ASSY 03-1-03-0014-801 REV E
 .12 HIGH CHARACTER, COLOR BLACK,
 LOCATE APPROX. AS SHOWN

4

3

2

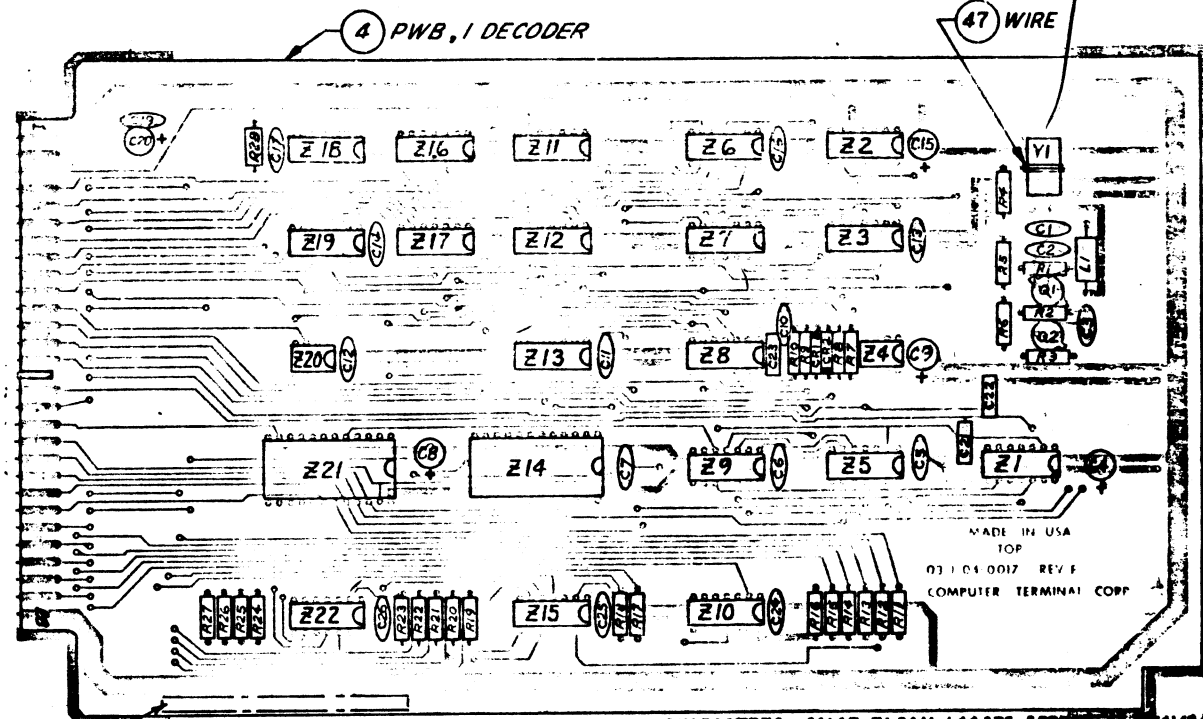
1

D

C

B

A



MARK "ASSY 03-1-03-0017 -801 REV K" .12 HIGH CHARACTERS, COLOR BLACK, LOCATE APPROX AS SHOWN

AW REV LTR	ZONE	REV	DESCRIPTION	DATE	APPROVED
		B	REPLACES SK-03-1-03-0017 REV A WITH CHANGE SEE DCN#1766	1-13-71	J.F. Alexander
		C	INCORP DCN# 2138 K. Krambo 5/16/71 E.O. # 2005 & DCN# 2139 E.O. # 2009	3-19-71 4-9-71 4-15-71 4-5-71	K. J. Ashell J. J. Ashell J. J. Ashell
D		D	REPLACES REV C WITH CHG, SEE EO 3026 & 3028	6/2/71	J. J. Ashell
E		F	REDRAWN & INC EO 2914	11/4/71	J. J. Ashell
E		F	INCORP EO 3585	4-26-72	J. J. Ashell
E		G	INCORP EO 3590	5-5-72	J. J. Ashell
E		H	INC EO 3860	9-8-72	J. J. Ashell
F		J	INCORP EO 2889	4/14/73	J. J. Ashell
F		K	INCORP EO 4407	4/14/73	J. J. Ashell

DATAPOINT CONFIDENTIAL INFORMATION

FOR PARTS LIST SEE PLO3-1-03-0017

QTY	CTC PART NO.	NOMENCLATURE	VENDOR PART NO.	VENDOR	REF DES	ITEM
PARTS LIST						
2200		UNLESS OTHERWISE SPECIFIED ALL DIMENSIONS ARE IN INCHES AND INCLUDE APPLIED FINISH.		<p>8725 DATAPoint Bldg. SAN ANTONIO, TEXAS 78229 512-596-4829</p>	<p>PRINTED WIRING ASSY, I DECODER</p>	
		TOLERANCES FRACTIONS ± ANGLES ±	DRAWN: <i>J.T. Hester</i> DATE: 11-4-71 CHECKED: <i>J. J. Ashell</i> DATE: 11-12-71 DESIGN ENGINEER: <i>J. J. Ashell</i> DATE: 11-19-71 PROJECT ENGINEER: <i>J.F. Alexander</i> DATE: 11-19-71			
		MATERIAL:	SIZE: C SCALE: 1/1			
			DWG NO.: 03-1-03-0017 REV: K SHEET: 1 OF 1			

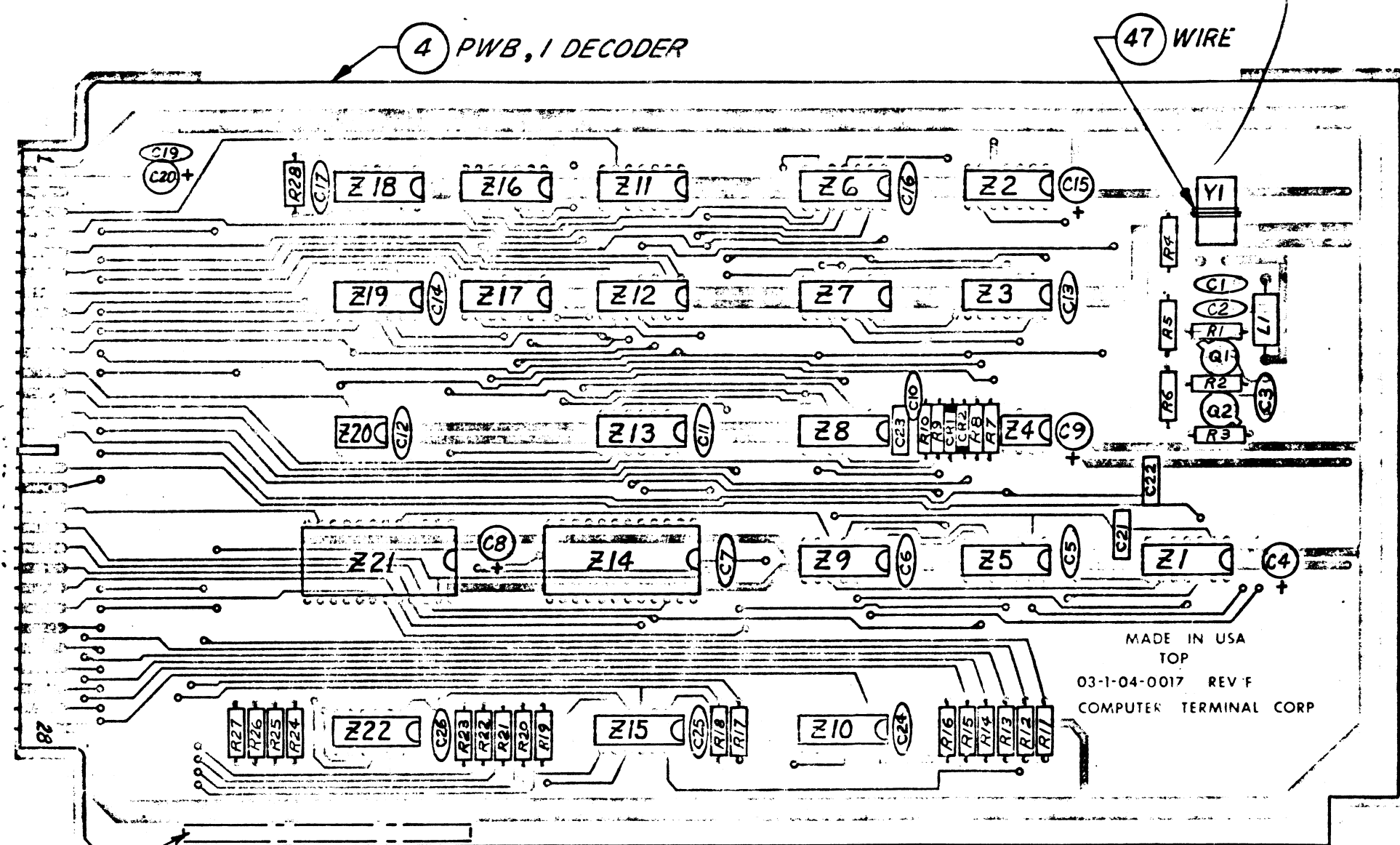
2. MAX. LEAD LENGTH BELOW BOARD IS .09
1. MAX. COMPONENT HEIGHT ABOVE BOARD IS .41

NOTES: (UNLESS OTHERWISE SPECIFIED)

03-1-03-0017 K B

			E0*
D	D	REPLACES RE	EO 3026 & 30
E	F	REDRAWN & INC	
E	F	INCORP EO 35	
E	G	INCORP EO 35	
E	H	INC EO 3860	
F	J	INCORP EO 2	
F	K	INCORP EO 4	

9.84

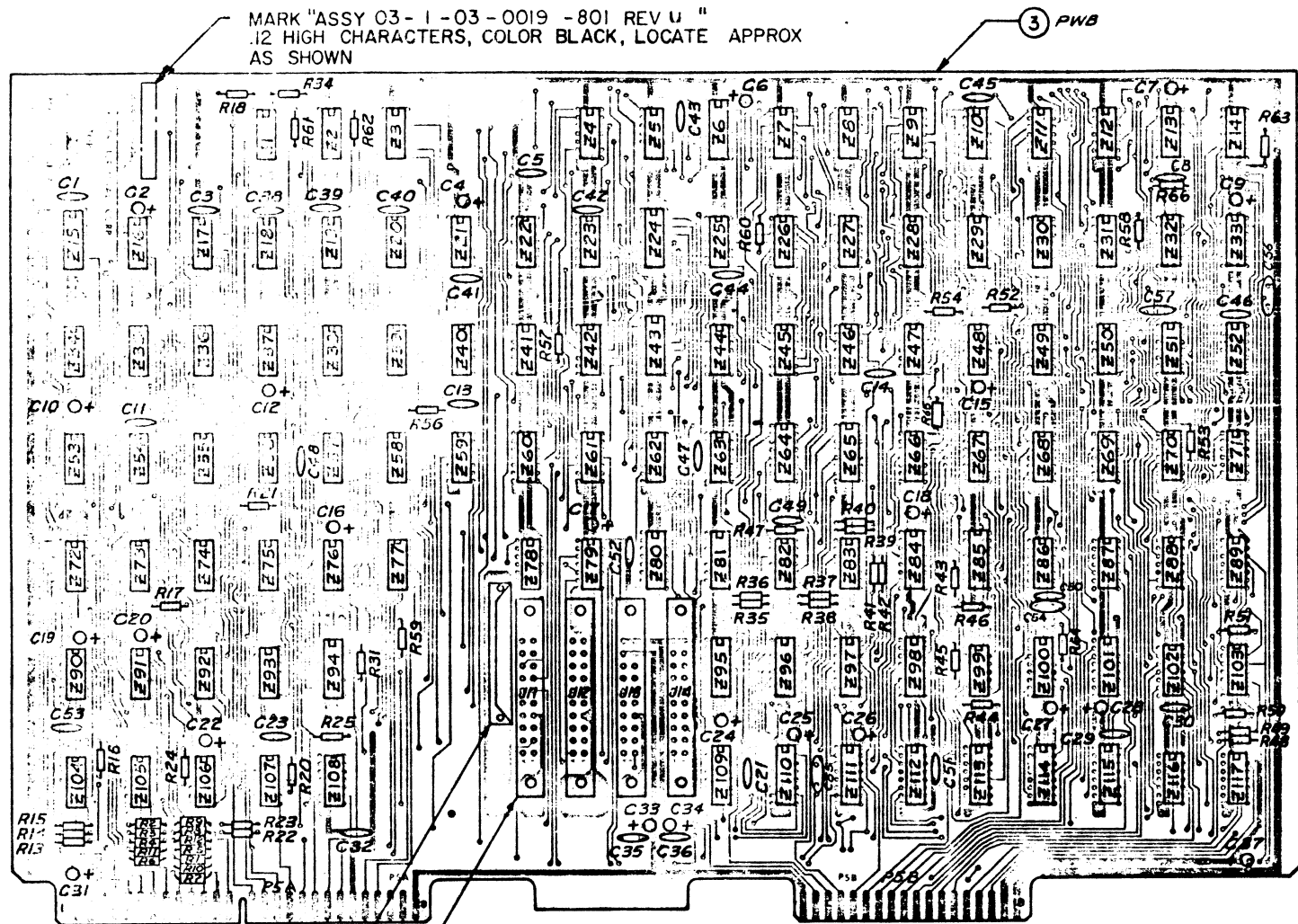


MARK "ASSY 03-1-03-0017 -801 REV K" .12 HIGH CHARACTERS, COLOR BLACK, LOCATE APPROX AS SHOWN

DATAPOINT CONFIDENTIAL INFORMATION

FOR PARTS LIST SE

				CTC PART NO			NOMENCLATURE		VEND PART



REV	DATE	DESCRIPTION	BY
C	11/15/70	REPLACES SK-03-1-03-0019, REV B WITH CHANGE SEE DCN# 1753, 1759, 1761 J. MOORE 12/2/70	K.P.T.
D	3/22/71	INCORP DCN# 2138 K. K. K. EQM 2006 3/16/71	D. J. J.
E	4/12/71	INCORP EO 2008 K. K. K. 4/12/71	D. J. J.
F	4/12/71	INCORP EO 3036 W. L. W. 4/12/71	D. J. J.
G	4/12/71	INC EO 3335 K. K. K. 4/12/71	D. J. J.
H	4/12/71	INC EO 3648 K. K. K. 4/12/71	D. J. J.
J	4/12/71	INCORP EO 3584 M. M. M. 4/12/71	D. J. J.
K	4/12/71	INCORP EO 3587 M. M. M. 4/12/71	D. J. J.
L	4/12/71	INC EO 3595 J. J. J. 4/12/71	D. J. J.
M	4/12/71	INC EO 3598 J. J. J. 4/12/71	D. J. J.
N	4/12/71	INC EO 3671 J. J. J. 4/12/71	D. J. J.
P	4/12/71	INC EO 3599 J. J. J. 4/12/71	D. J. J.
R	4/12/71	INCORP EO 3865 & EO 3867 V. V. V. 4/12/71	D. J. J.
S	4/12/71	INC EO 4052, MFG ONLY V. V. V. 4/12/71	D. J. J.
T	4/12/71	INCORP EO 2896 M. M. M. 4/12/71	D. J. J.
U	4/12/71	INC EO 4682 J. J. J. 4/12/71	D. J. J.
V	4/12/71	INCORP EO 5123 LBYRD 2-18-74	D. J. J.

CONFIDENTIAL PROPRIETARY INFORMATION

This item is the property of Datapoint Corporation, San Antonio, Texas, and contains confidential and trade secret information. This item may not be reproduced from the custody or control of Datapoint except as authorized by Datapoint and then only by way of loan for limited purposes. It must not be reproduced in whole or in part and must be returned to Datapoint upon request and in all events upon completion of the purpose of the loan.

Neither this item nor the information it contains may be used by or disclosed to persons not having a need for such use or disclosure consistent with the purpose of the loan, without the prior written consent of Datapoint.

FOR PARTS LIST SEE PL03-1-03-0019

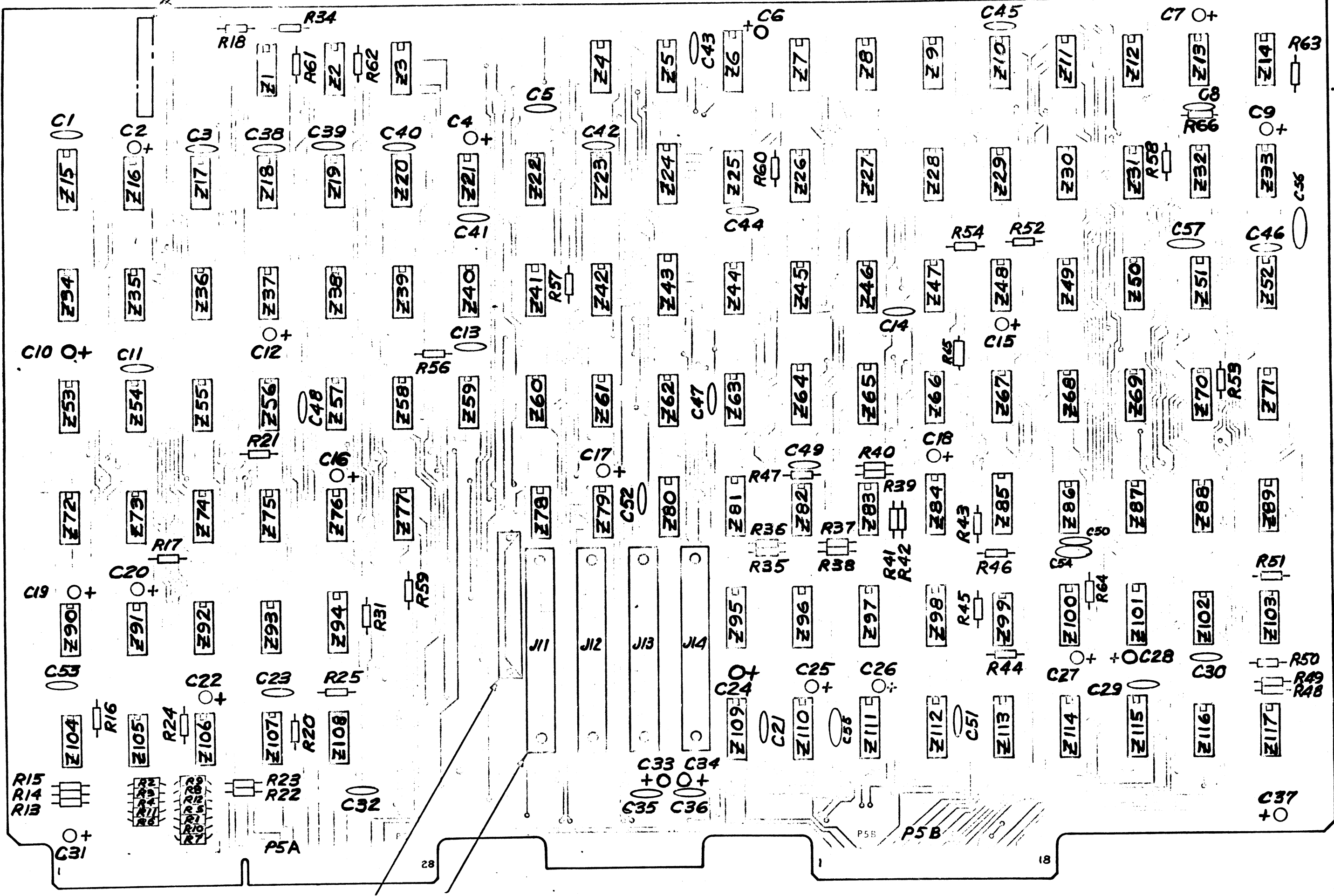
-801

DATAPOINT CONFIDENTIAL INFORMATION

QTY	CTC PART NO.	NOMENCLATURE	VENDOR PART NO.	VENDOR	REF DES	ITEM																														
PARTS LIST																																				
2	03-1-03-0001	UNLESS OTHERWISE SPECIFIED ALL DIMENSIONS ARE IN INCHES AND INCLUDE APPLIED FINISH.	<table border="1"> <tr> <td>DATE</td> <td>4-28-72</td> </tr> <tr> <td>DATE</td> <td>5-23-72</td> </tr> <tr> <td>DATE</td> <td>5/15/72</td> </tr> <tr> <td>DATE</td> <td>5/15/72</td> </tr> <tr> <td>DATE</td> <td>5-25-72</td> </tr> </table>				DATE	4-28-72	DATE	5-23-72	DATE	5/15/72	DATE	5/15/72	DATE	5-25-72																				
DATE	4-28-72																																			
DATE	5-23-72																																			
DATE	5/15/72																																			
DATE	5/15/72																																			
DATE	5-25-72																																			
		<table border="1"> <tr> <td>TOLERANCES</td> <td> <table border="1"> <tr> <td>FRACTIONS ±</td> <td>DECIMALS</td> <td>ANGLES ±</td> <td>DIAMETRAL</td> <td>FINISH</td> </tr> <tr> <td>1/16</td> <td>0.0015</td> <td>1/16</td> <td>1/16</td> <td>1/16</td> </tr> </table> </td> </tr> <tr> <td>MATERIAL:</td> <td></td> </tr> </table>	TOLERANCES	<table border="1"> <tr> <td>FRACTIONS ±</td> <td>DECIMALS</td> <td>ANGLES ±</td> <td>DIAMETRAL</td> <td>FINISH</td> </tr> <tr> <td>1/16</td> <td>0.0015</td> <td>1/16</td> <td>1/16</td> <td>1/16</td> </tr> </table>	FRACTIONS ±	DECIMALS	ANGLES ±	DIAMETRAL	FINISH	1/16	0.0015	1/16	1/16	1/16	MATERIAL:		<table border="1"> <tr> <td colspan="2">Computer Terminal Corporation</td> <td colspan="2">9725 DATAPoint BL, SAN ANTONIO, TEXAS 78203</td> </tr> <tr> <td colspan="4" style="text-align: center;">PRINTED WIRING ASSY, PROCESSOR</td> </tr> <tr> <td>REV</td> <td>D</td> <td>DWG NO.</td> <td>03-1-03-0019</td> </tr> <tr> <td>SCALE</td> <td>NONE</td> <td>DATAPoint P/N</td> <td>304-10</td> </tr> </table>				Computer Terminal Corporation		9725 DATAPoint BL, SAN ANTONIO, TEXAS 78203		PRINTED WIRING ASSY, PROCESSOR				REV	D	DWG NO.	03-1-03-0019	SCALE	NONE	DATAPoint P/N	304-10
TOLERANCES	<table border="1"> <tr> <td>FRACTIONS ±</td> <td>DECIMALS</td> <td>ANGLES ±</td> <td>DIAMETRAL</td> <td>FINISH</td> </tr> <tr> <td>1/16</td> <td>0.0015</td> <td>1/16</td> <td>1/16</td> <td>1/16</td> </tr> </table>	FRACTIONS ±	DECIMALS	ANGLES ±	DIAMETRAL	FINISH	1/16	0.0015	1/16	1/16	1/16																									
FRACTIONS ±	DECIMALS	ANGLES ±	DIAMETRAL	FINISH																																
1/16	0.0015	1/16	1/16	1/16																																
MATERIAL:																																				
Computer Terminal Corporation		9725 DATAPoint BL, SAN ANTONIO, TEXAS 78203																																		
PRINTED WIRING ASSY, PROCESSOR																																				
REV	D	DWG NO.	03-1-03-0019																																	
SCALE	NONE	DATAPoint P/N	304-10																																	

NOTES: (UNLESS OTHERWISE SPECIFIED)

AS SHOWN



DATAPOINT CONFIDENTIAL INFORMATION

4 3 2 1

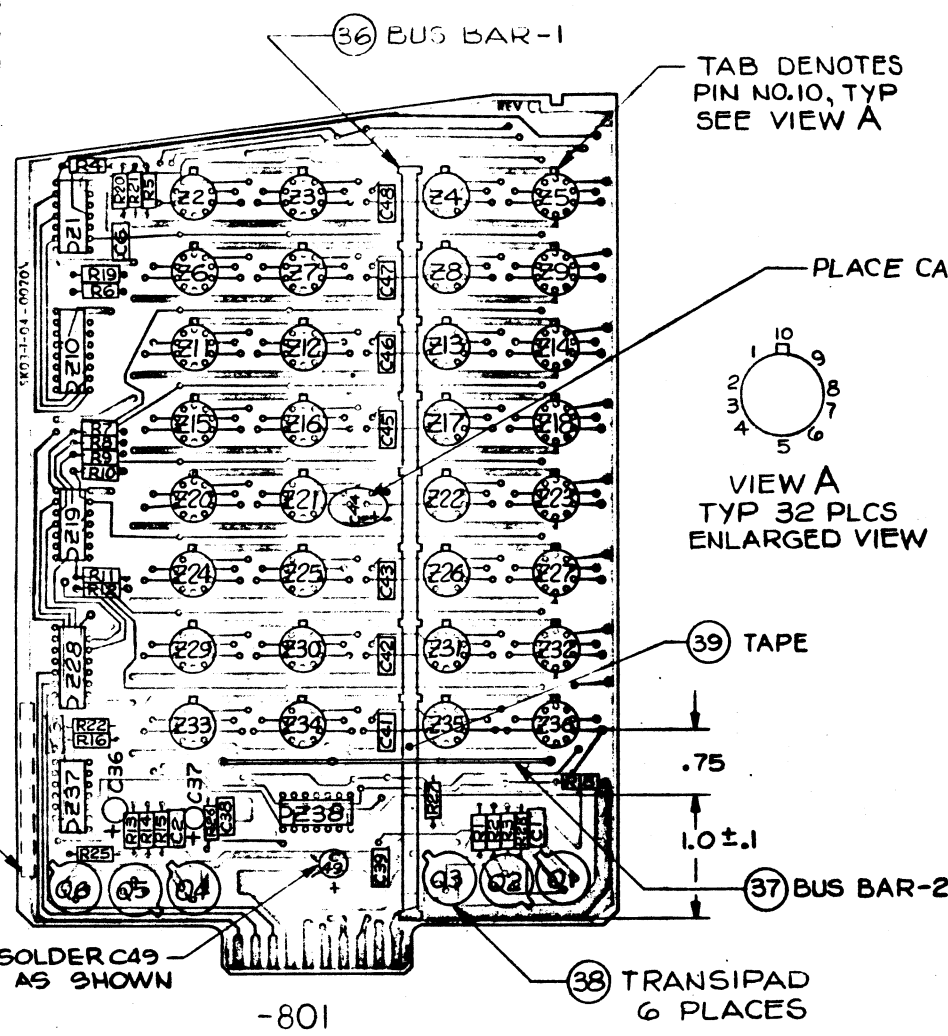
D

C

B

A

MARK ASSY 03-1-03-0020 -801 -1-M



REV. LET		REVISIONS			
ZONE	LET	DESCRIPTION	DATE	APPROVED	
	B	REPLACE SK-03-1-03-0020 REV A WITH CHANGE SEE DCN 1766 P. Bayard 1-G-71	1/11/71 1/12/71	S. Moore H. A. O'Neil	
	C	INCORP DCN #2138 M. Kincaid 3/10/71 #2110	3-22-71 3-19-71	JFA	
	D	INCORP DCN #2111 K. Knowles 8/23/71	3-26-71 3-25-71	JFA	
	E	INCORP EO #2320 K. Knowles 4/27/71	4-27-71	H. A. O'Neil	
	F	INCORP EO #3029 L. By Anderson 4/24/71	5-25-71 5-24-71	H. A. O'Neil K. P. Jackson	
A	G	INCORP EO 2855 P. Vickers 7-20-71 EO 3033	10-11-71	K. P. Jackson	
A	H	PRODUCTION ONLY EO 3042 M. Vickers 9-30-71	10-11-71	K. P. Jackson	
C	J	INCORP EO 3044 M. Vickers 9-30-71	10-11-71	K. P. Jackson	
C	K	INC. EO 3578 K. Knowles 2/10/72	2-7-72 2/12/72	H. A. O'Neil P. Bayard	
C	L	INC. EO 3654 M. Kincaid 2/29/72	3/8/72 2-29-72	S. Moore	
		C3 WAS C40 PICTORIAL ONLY REVISIONS NOT AFFECTED			
C	M	INC. EO #3948 L. Bay Anderson 4-10-73	4-10-73 4-11-73	H. A. O'Neil	

D

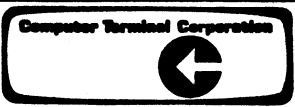
C

B

A

DATAPOINT CONFIDENTIAL INFORMATION

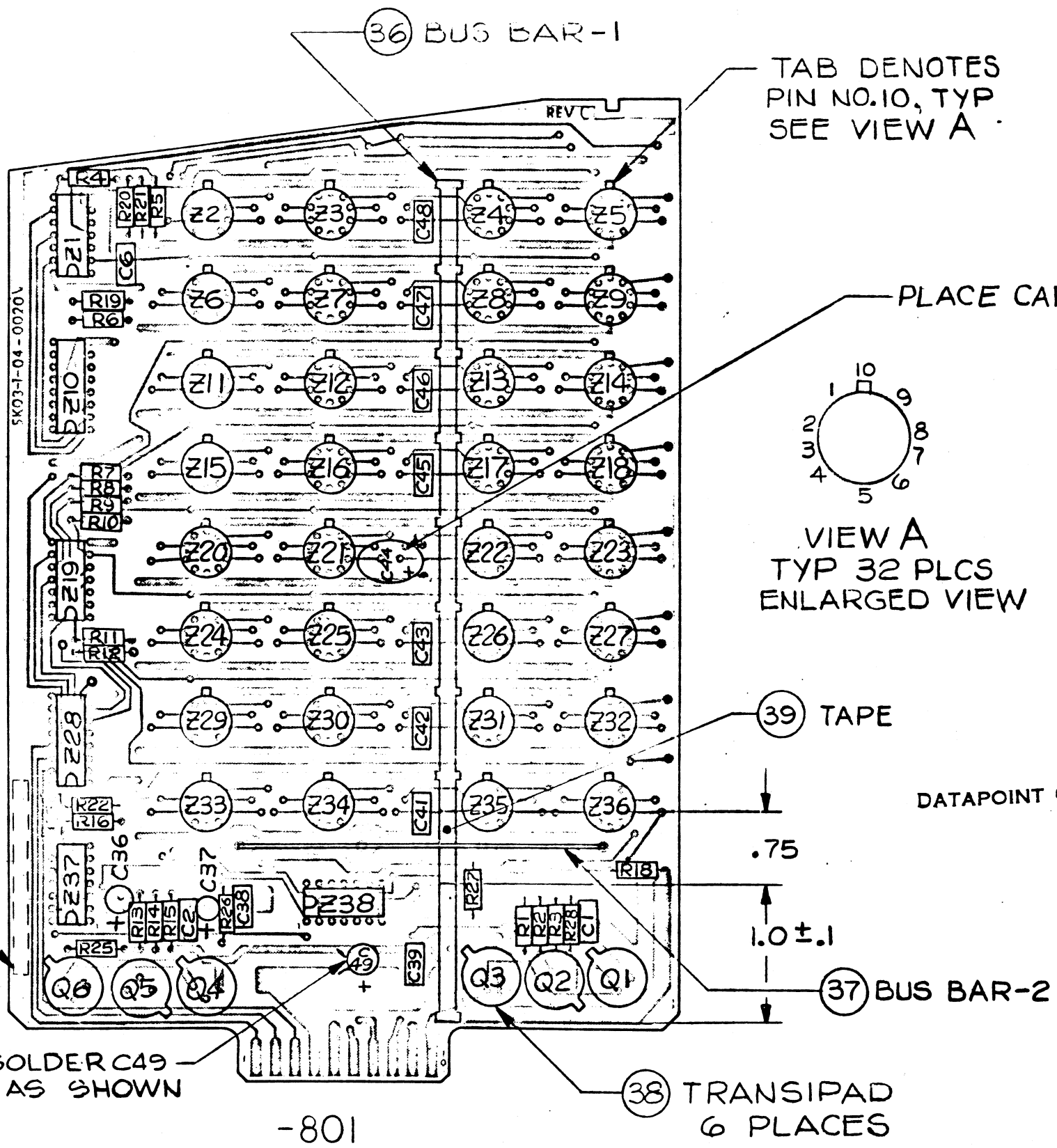
FOR PARTS LIST SEE PLO3-1-03-0020

QTY	CTC PART NO.	NOMENCLATURE	VENDOR PART NO.	VENDOR	REF DES	ITEM
		PARTS LIST				
		UNLESS OTHERWISE SPECIFIED ALL DIMENSIONS ARE IN INCHES AND INCLUDE APPLIED FINISH.	DATE	 6728 DATAPoint DR. SAN ANTONIO, TEXAS 78229 512-500-4888		
		TOLERANCES	DATE			
		FRACTIONS ± ANGLES ±	DATE			
		X ± DECIMALS .XX ± .XXX ±	DATE			
		MATERIAL:	DATE	PRINTED WIRING ASSY MEMORY		
			DATE			
			DATE	SIZE	DWG NO.	REV
			DATE	C	03-1-03-0020	M
			DATE	SCALE 1/1	CTC P/N 321-18	SHEET 1 OF 1

1. MAX. COMPONENT HEIGHT ABOVE BOARD TO BE .41.
 MAX. LENGTH BELOW BOARD TO BE .09.
 NOTES: (UNLESS OTHERWISE SPECIFIED)

REV LET	ZONE
A	
A	
C	
C	
C	
C	
C	

MARK "ASSY 03 - 1 - 03 - 0020 - 801 REV M"
 .12 HIGH CHARACTERS COLOR BLACK, LOCATE APPROX
 AS SHOWN



DATAPOINT CONFIDENTIAL INFORMATION

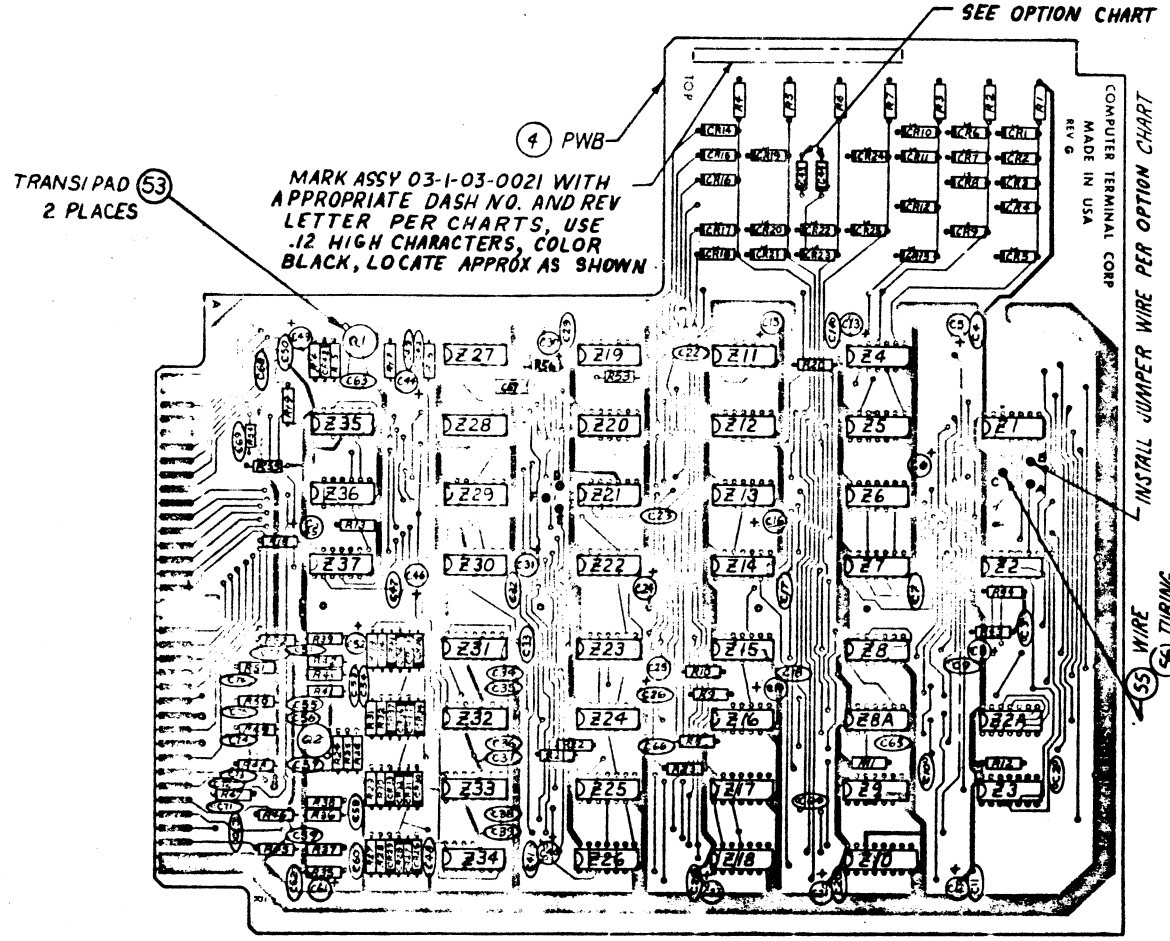
FOR PARTS LI

D

C



B



-801 THRU -809

ENGR NO	MFG NO	ASSY REV	A/W REV	ENGR APPR
-801	302-10	L	G	<i>[Signature]</i>
-802	394-10	L	G	<i>[Signature]</i>
-803	472-10	L	G	<i>[Signature]</i>
-804	536-10	A	G	<i>[Signature]</i>
-805	538-10	-	G	<i>[Signature]</i>
-806	539-10	-	G	<i>[Signature]</i>
-807	540-10	-	G	<i>[Signature]</i>
-808	541-10	-	G	<i>[Signature]</i>
-809	542-10	-	G	<i>[Signature]</i>

AW REV LTR	ZONE	LET	REVISIONS	DATE	BY
	A		REPLACE SK-03-1-03-0021 WITH CHANGE SEE DCN 1753 AND 1759 P. BRYANT 12/31/70	1-18-71	K.A.P.
	B		INCORP DCN # 2138 K. Kramlich 3/10/71	3-22-71	JFA
	C		INCORP DCN # 2111 K. Kramlich 5/25/71	5-26-71	JFA
	D		INC EO 3342 & REDRAW J.T. [Signature]	12-21-71	[Signature]
	E		INCORP EO 3577 2-10-72 G. RODRIGUEZ	2-11-72	K.S.A.
	F		INC. EO 3593 TH APPROV 6-20-72	6-27-72	[Signature]
	G		INC. EO 3600 TH APPROV 6-20-72	6-27-72	[Signature]
	H		INC EO 3854 & TH APPROV 6-20-72	6-27-72	[Signature]
	C-4	J	INC. E.O. 3856 A. Moran 8/9/72	8-11-72	R.T.O.
	F	K	INC. E.O. 2885 [Signature]	4-17-73	[Signature]
	G	L	INC. E.O. 4282, 4411, 4413 4/28/73	5-25-73	[Signature]

OPTION CHART

ENGR NO	MFG NO.	INSTALL JUMPER		CR43	CR44	MODEL		
		FROM	TO				ITEM 50	ITEM 50
-801	302-10	A	B	E	F	OUT	OUT	STANDARD
-802	394-10	A	C	D	E	OUT	OUT	N/A
-803	472-10	A	B	D	E	IN	IN	707/709 (HENDRIX)
-804	536-10	A	B	D	E	OUT	IN	707
-805	538-10	A	B	E	F	IN	OUT	709
-806	539-10	A	C	E	F	OUT	OUT	708
-807	540-10	A	C	E	F	IN	OUT	708/709
-808	541-10	A	C	D	E	OUT	IN	707/708
-809	542-10	A	C	D	E	IN	IN	707/708/709

DATAPOINT CONFIDENTIAL INFORMATION

FOR PARTS LIST SEE PL 03-1-03-0021

QTY	CTC PART NO	NOMENCLATURE	VEN PART NO	ENGR	REF DES	ITEM
REVISIONS: -804 03-1-03-0001 HENDRIX 2200 -803 03-1-03-0001 HENDRIX 2200 -802 -801 03-1-03-0001 NOT USED 2200		DRAWN: C. Lane 5/22/75 CHECKED: R. Malone 5-25-75 DESIGN ENGINEER: W. Frankitt PROJECT ENGINEER: W. Frankitt	Computer Terminal Corporation 9725 DATAPoint DR SAN ANTONIO TEXAS 78229 512 696 4529			
UNLESS OTHERWISE SPECIFIED ALL DIMENSIONS ARE IN INCHES AND INCLUDE APPLIED FINISH TOLERANCES: FRACTIONS: .XX ± DECIMALS: .XXX ± ANGLES: XXX ±		PRINTED WIRING ASSY, KEYBOARD LOGIC				
MATERIAL:		SIZE: D DWG NO: 03-1-03-0021 SHEET: 1 of 1				

2. MAX. LEAD LENGTH BELOW BOARD TO BE .09
 1. MAX. COMPONENT HEIGHT ABOVE BOARD TO BE .41
 NOTES: (UNLESS OTHERWISE SPECIFIED)

03-1-03-0021

SEE OPTION CHART

COMPUTER TERMINAL CORP
MADE IN USA
REV G

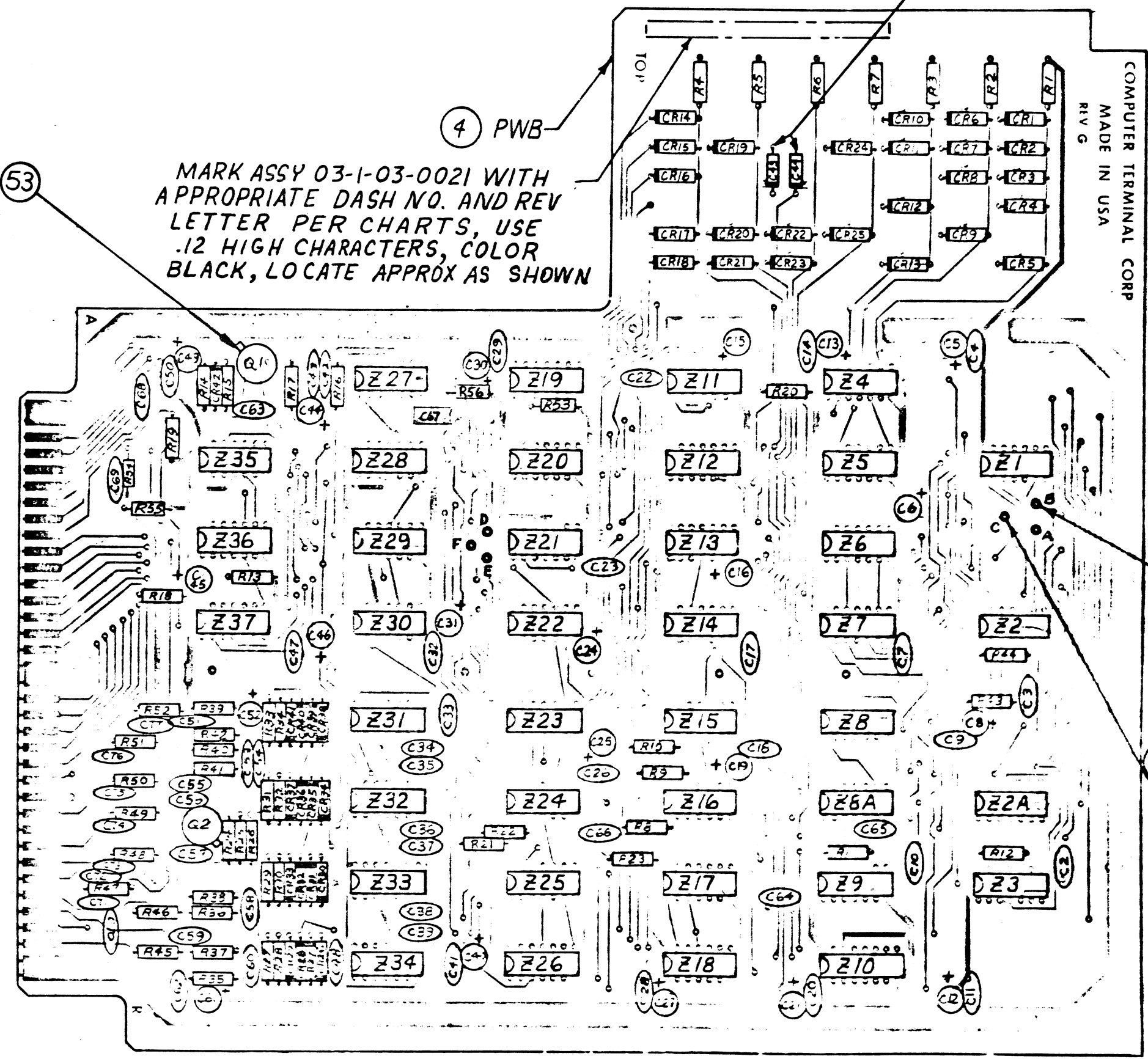
INSTALL JUMPER WIRE PER OPTION CHART

55 WIRE
56 TUBING

4 PWB

MARK ASSY 03-1-03-0021 WITH
APPROPRIATE DASH NO. AND REV
LETTER PER CHARTS, USE
.12 HIGH CHARACTERS, COLOR
BLACK, LOCATE APPROX AS SHOWN

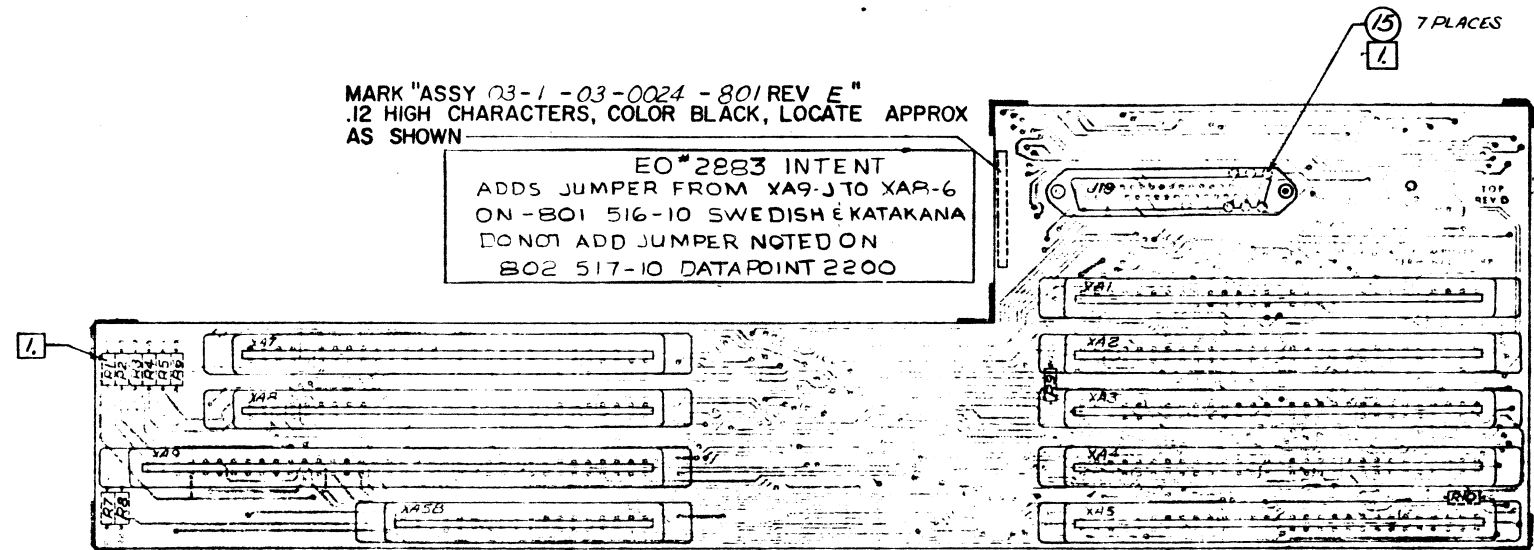
TRANSIPAD (53)
2 PLACES



DATAPOINT CONFIDENTIAL INFORMATION

-801 THRU -809

REV	ZONE	LET	DESCRIPTION	DATE	APPROVED
	B		REPLACES REV A WITH CHANGE PER DCN 2651	5-24-72	JFA
B	C		INCORP DCN 2512 W. LOVAS 6-16-71	6-17-71	JFA
C	D		INCORP EO 2674, REDREW ASSY WITH SEPARATE I/L 1-31-72	1-31-72	JFA
D	E		INCORP EO 3292 P. MALANDRONE 3-6-72	3-6-72	JFA



MARK "ASSY 03-1-03-0024-801 REV E" .12 HIGH CHARACTERS, COLOR BLACK, LOCATE APPROX AS SHOWN

EO #2883 INTENT
 ADDS JUMPER FROM XA9-J TO XA8-6
 ON -801 516-10 SWEDISH & KATAKANA
 DO NOT ADD JUMPER NOTED ON
 802 517-10 DATAPOINT 2200

15 7 PLACES

-801 - 516-10 SWEDISH & KATAKANA
 -802 - 517-10 DAPT 2200

DATAPOINT CONFIDENTIAL INFORMATION

EOs 4041, 4307, 4451, 4146 OUTSTANDING
 EO 5154 REF., 5171, 5186, 5208
 FOR PARTS LIST SEE PLO3-1-03-0024

INSTALL ALL RESISTORS & TERMINALS FROM BOTTOM OF BOARD.

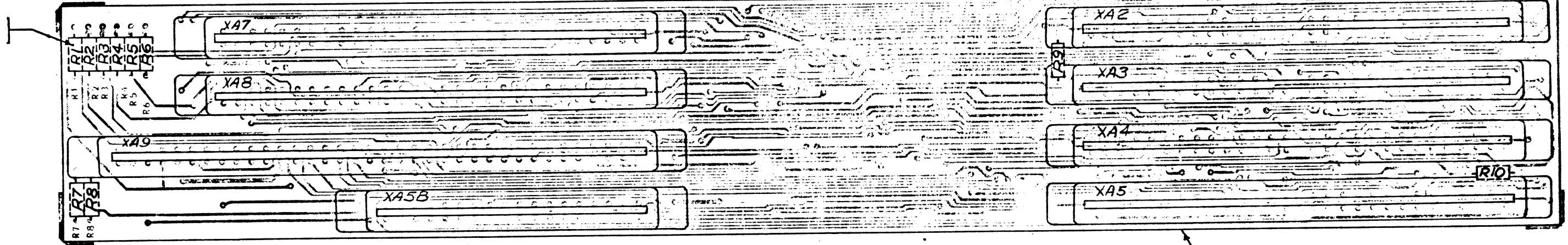
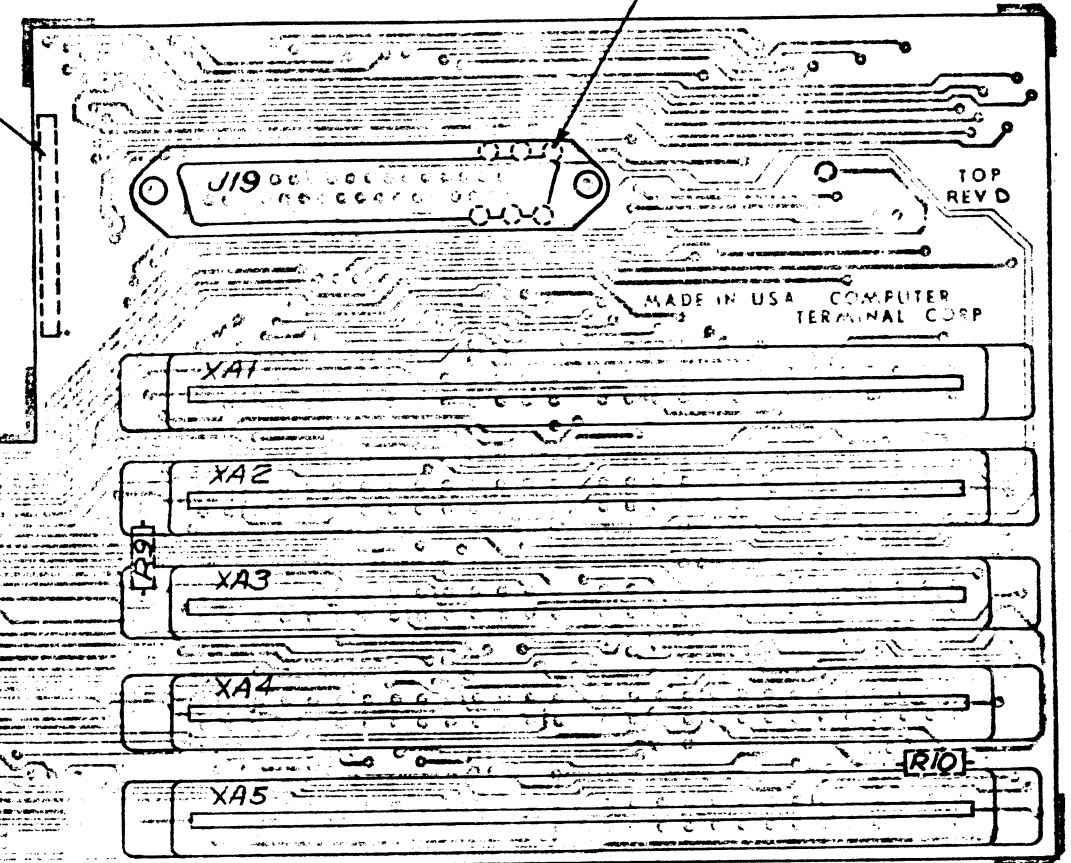
NOTES: (UNLESS OTHERWISE SPECIFIED)

QTY	CTC PART NO.	NOMENCLATURE	VENDOR PART NO.	VENDOR	REF DES	ITEM
PARTS LIST						
802	03-1-03-0024	PRINTED WIRING ASSY MOTHERBOARD		Computer Thermal Corporation		
801	03-1-03-0024	2200-102				

MARK "ASSY 03-1-03-0024-801 REV E"
.12 HIGH CHARACTERS, COLOR BLACK, LOCATE APPROX
AS SHOWN

EO #2883 INTENT
ADDS JUMPER FROM XA9-J TO XA8-6
ON -801 516-10 SWEDISH & KATAKANA
DO NOT ADD JUMPER NOTED ON
802 517-10 DATAPOINT 2200

15 7 PLACES
1

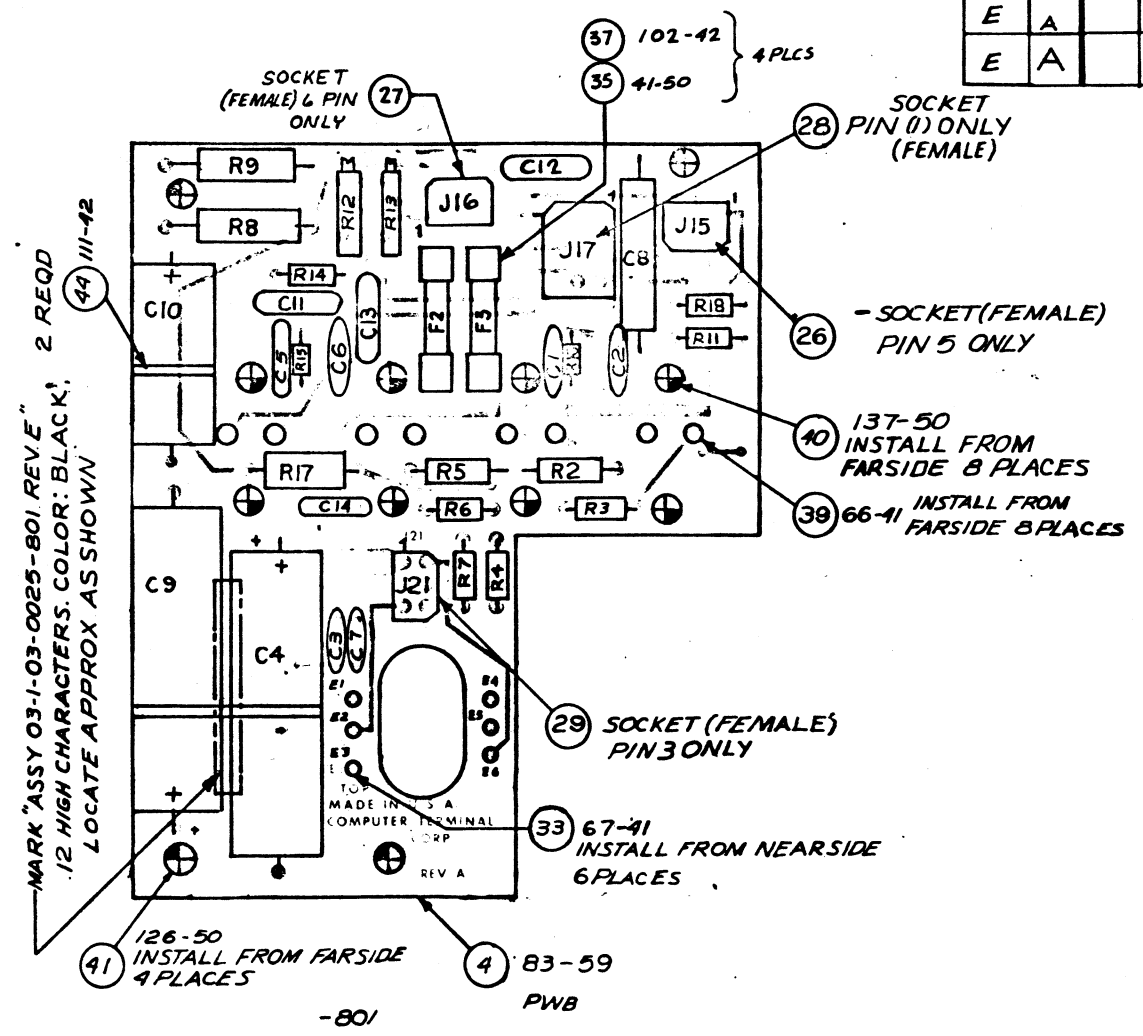


-801 -516-10 SWEDISH & KATAKANA
-802 -517-10 DAPT 2200

DATAPOINT CONFIDENTIAL INFORMATION

4 3 2 1

TAB REV	REV	ZONE	DATE	DESCRIPTION	DATE	APPROVED
-801 808-10	A/W LTR	B		REPLACES SK 03-1-03-0025 WITH CHANGE SEE DCN 1752, 1760 mckson	1-20-71	DD MOORE J.F.A.
B	A	C		INCORP DCN #2138 K. KNOWLES	3-22-71	DD MOORE J.F.A.
C	A	D		IN ITEM 28 VENDOR PT NO WAS 09-18-5061 K KNOWLES 5/3/71	5-4-73	KP JACKSON J.F.A.
D	A	E		INC E04327 MADE SEPARTE PARTS LIST	5/3/73 4-24-73	J. Meyer Ed. Bell
E	A	F		INCORP E05032	10/23/73	Ed. Bell
E	A				9/10-26-73	Ed. Bell



CONFIDENTIAL PROPRIETARY INFORMATION

This item is the property of Datapoint Corporation, San Antonio, Texas, and contains confidential and trade secret information. This item may not be transferred from the custody or control of Datapoint except as authorized by Datapoint and then only by way of loan for limited purposes. It must not be reproduced in whole or in part and must be returned to Datapoint upon request and in all events upon completion of the purpose of the loan.

Neither this item nor the information it contains may be used by or disclosed to persons not having a need for such use or disclosure consistent with the purpose of the loan, without the prior written consent of Datapoint.

FOR PARTS LIST SEE PL. 03-1-03-0025

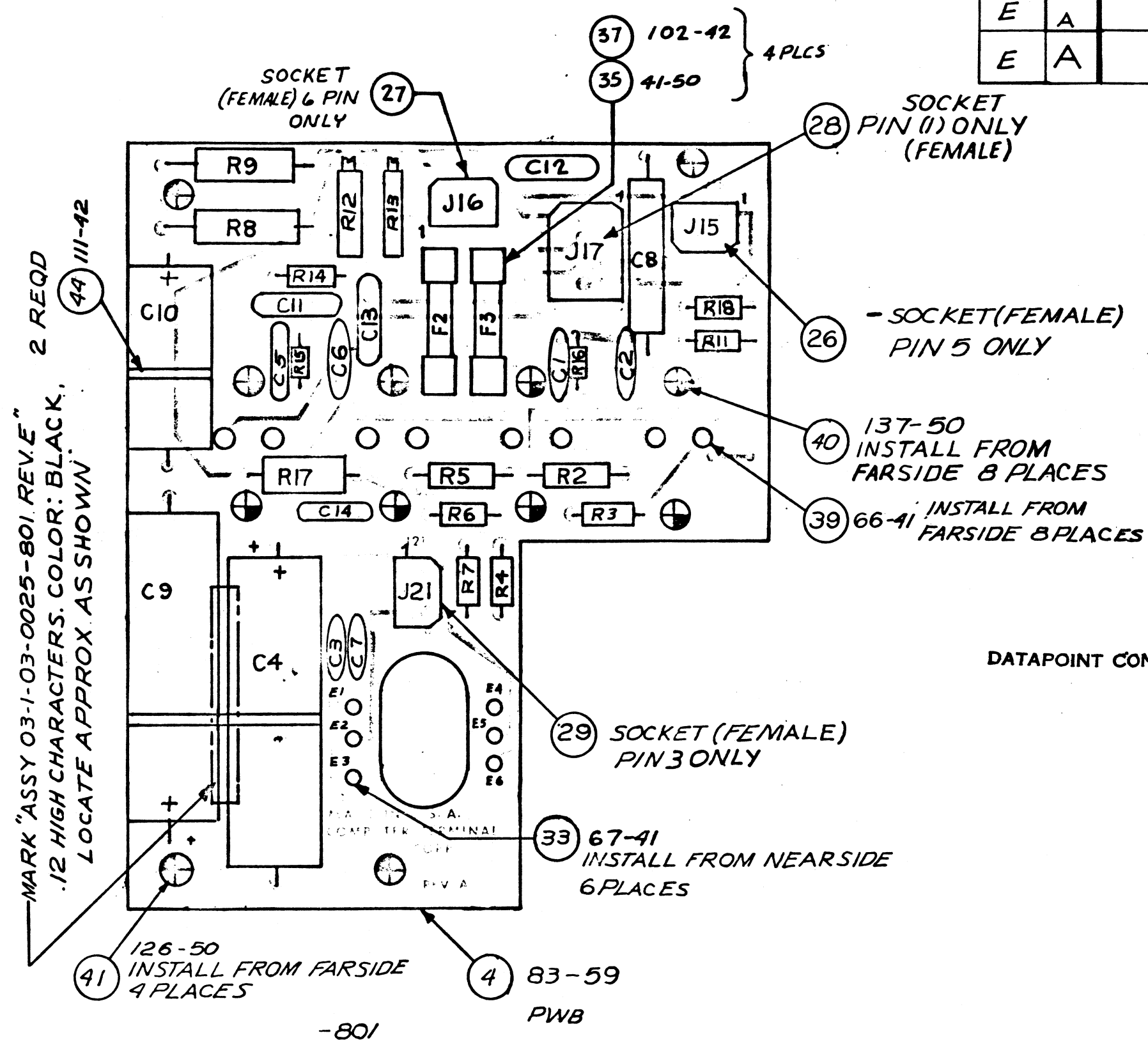
QTY	CTC PART NO	NOMENCLATURE	VENDOR PART NO	VENDOR	REF DES	ITEM
PARTS LIST						
2200 USED ON 801/03-1-09-0017 DASH NEXT ASSY	<small>JUNLESS OTHERWISE SPECIFIED ALL DIMENSIONS ARE IN INCHES AND INCLUDE APPLIED FINISH</small> TOLERANCES FRACTIONS: ± ANGLES: ± DECIMALS: ± ± ± ± ± ±		DRAWN: <i>J. L. Stock</i> DATE: 4-23-73 CHECKED: <i>R. Malone</i> DATE: 5-3-73 DESIGN ENGINEER	8725 DATAPoint DR SAN ANTONIO, TEXAS 78229 512-696-4329		
	MATERIAL		PROJECT ENGINEER: <i>J. Meyer</i> DATE: 5/3/73 DATE: 5-3-73	PRINTED WIRING ASSY, DEFLECTION HEATSINK		
			R. Malone 5-3-73	SIZE: C DWG NO: 03-1-03-0025 REV: F SCALE: 1/1 P/N 308-10 SHEET 1 OF 1		

2. MAX. .44 COMPONENT HEIGHT ABOVE BOARD
 1. MAX LEAD LENGTH BELOW BOARD TO BE .09 MAX.
 NOTES: (UNLESS OTHERWISE SPECIFIED)

03-1-03-0025 F B A

C	A	C	IN CORP DCN* 2138 K.KA
D	A	D	IN ITEM 28 VENDOR PT 09-18-5061 K KNOWL
E	A	E	INC. E04327 MADE SEPARTE PARTS L
E	A	F	IN CORP E05032

Edw L



DATAPOINT CONFIDENTIAL INFORMATION

CONFIDENTIAL PROPRIETARY

This item is the property of Datapoint Texas, and contains confidential and proprietary information. This item may not be transferred from the recipient except as authorized by Datapoint and for limited purposes. It must not be reproduced, copied, or disseminated without the consent of Datapoint. It must be returned to Datapoint upon completion of the purpose of the loan. Neither this item nor the information contained herein may be disclosed to persons not having a need to know consistent with the purpose of the loan without the consent of Datapoint.

FOR PARTS LIST SEE PL. 03

4

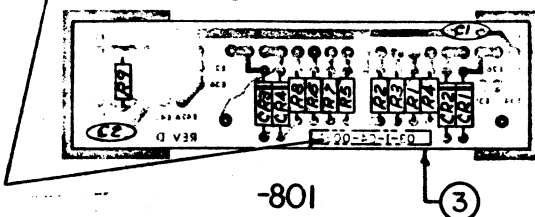
3

2

1

REVISIONS					
REV	ZONE	LET	DESCRIPTION	DATE	APPROVED
		A	REVISED PER DCN 2134 R. Bayard 3-9-71	3-9-71 3-8-71	JFA K.P. Johnson
		B	REVISED PER DCN 2096 Ray Dillon 4/20/71	4-27-71 4-21-71	JFA K.P. Johnson
C		C	REVISED PER EO 2904 W. LOVAS 6-4-71	6-17-71 6-16-71	JFA K.P. Johnson
C		D	INCORP EO 3502 & REDREW ASSY WITH SEPARATE PARTS LIST G. RODRIGUEZ 122271	1-27-72 1-17-72	JFA G. Rodriguez
C		E	INC. EO 3510 K. K. ... 2110172	2-10-72	JFA K. K. ...
D		F	INC EO 3514 G. SMITH 9-11-72	9-11-72	JFA G. Smith
D		G	INC EO 5082 F/LU 10/11/73	10-16-73 10-12-73	JFA F. L. U.

MARK "ASSY 03-1-03-0031-801 REV G"
.12 HIGH CHARACTERS, COLOR BLACK, LOCATE APPROX
AS SHOWN




CONFIDENTIAL PROPRIETARY INFORMATION

This item is the property of Datapoint Corporation, San Antonio, Texas, and contains confidential and trade secret information. This item may not be transferred from the custody or control of Datapoint except as authorized by Datapoint and then only by way of loan for limited purposes. It must not be reproduced in whole or in part and must be returned to Datapoint upon request and in all events upon completion of the purpose of the loan.

Neither this item nor the information it contains may be used or disclosed to persons not having a need for such use or disclosure consistent with the purpose of the loan, without the prior written consent of Datapoint.

EO 5217 OUTSTANDING
EO 5327

FOR PARTS LIST SEE P/L 03-1-03-0031
EO 5156 OUTSTANDING (NOW VOID)

QTY	CTC PART NO.	NOMENCLATURE	VENDOR PART NO.	VENDOR	REF DES	ITEM
		PARTS LIST				
		UNLESS OTHERWISE SPECIFIED ALL DIMENSIONS ARE IN INCHES AND INCLUDE APPLIED FINISH.	DRAWN G. RODRIGUEZ	DATE 12-22-71	 9725 DATAPoint DR. SAN ANTONIO, TEXAS 78229 512-580-0800	
		TOLERANCES FRACTIONS ± ANGLES ±	CHECKED R. Harris	DATE 1-17-72		
		DECIMALS X ± XX ± XXX ±	DESIGN ENGINEER J.F. Alexander	DATE 1-31-72		
		MATERIAL:	PROJECT ENGINEER J.F. Alexander	DATE 1-31-72		
					PWA, TAPE RESISTOR BOARD	
					SIZE C	DWG NO. 03-1-03-0031
					SCALE ~ P/L 372-10	SHEET 1 OF 1

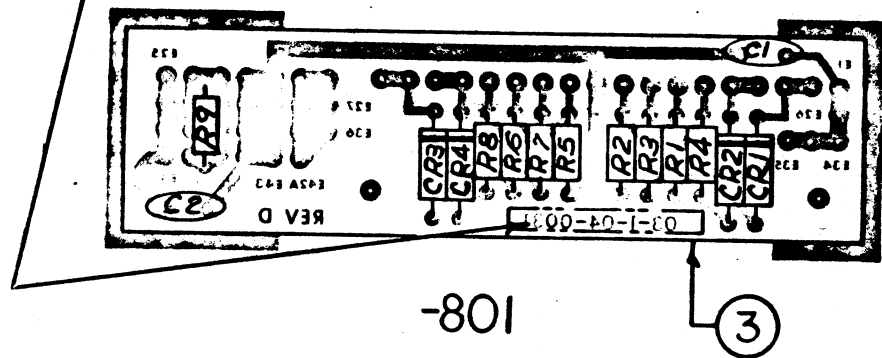
2. .12 MAX COMPONENT HEIGHT ABOVE BOARD
1. CIRCUITRY ON FAR SIDE OF BOARD, SHOWN FOR CLARITY ONLY

NOTES: (UNLESS OTHERWISE SPECIFIED)

03-1-03-0031 G B

			P. Bryant J. 4-
		B	REVISED PER Ray Dillon
C		C	REVISED I W. LOVAS
C		D	INCORP EO 351 WITH SEPARA
C		E	INC. EO 351
D		F	INC EO 351
D		G	INC EO 508

MARK "ASSY 03-1-03-0031-801 REV G"
.12 HIGH CHARACTERS, COLOR BLACK, LOCATE APPROX
AS SHOWN



CO

DATAPOINT CONFIDENTIAL INFORMATION

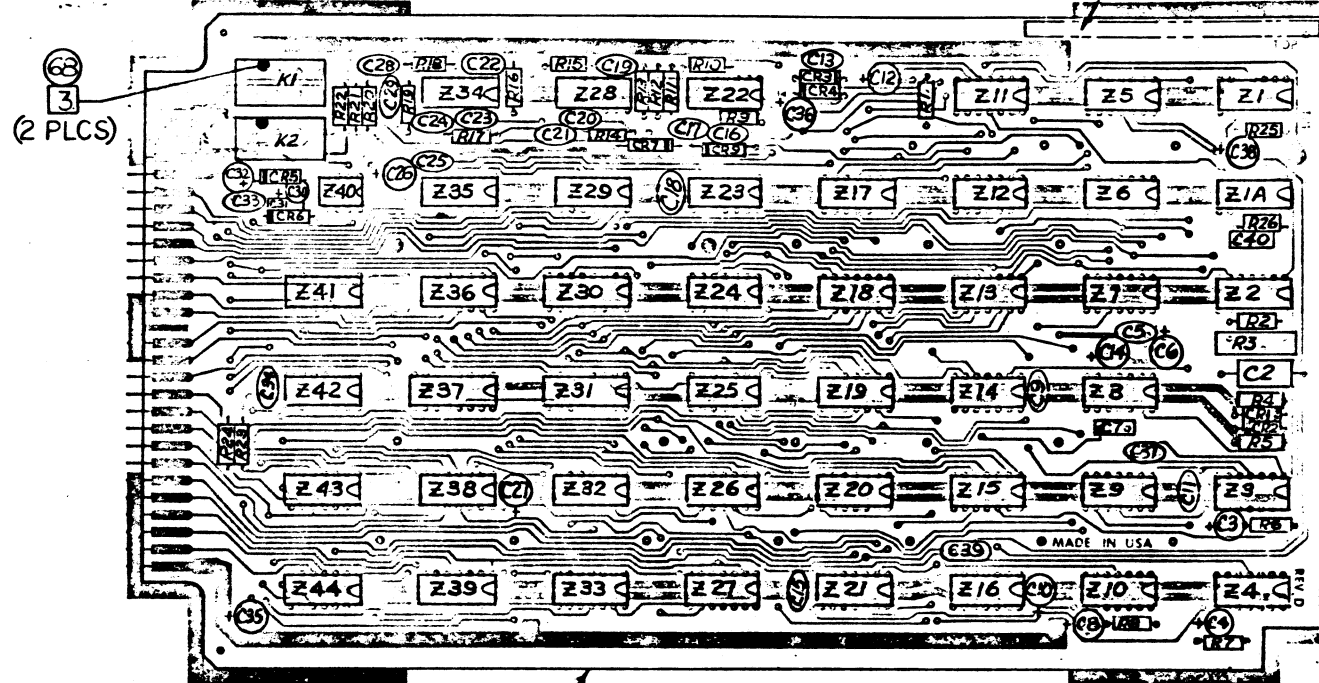
This item
Texas, and c
item may not
except as aut
limited purpo
must be retu
completion o
Neither th
or disclosed t
consistent wit
consent of Di

FOR PARTS LIST SEE

REVISION TABLE				
ENGR NO.	MFG NO.	ASSY REV	A/W REV	ENG APPV
-801	315-10	N	D	<i>JFB</i>
-802	500-10	N	D	<i>JFB</i>

P/W REV	ZONE	LET	REVISIONS		
			DESCRIPTION	DATE	APPROVED
A	A	A	INCORP E.O. 1081 AND ADD -802 ASSY & REMOVE CAPACITOR CTC PT. NO. R. Bryant 2-17-71	2-25-71 2-25-71	<i>JFA</i> <i>K.P.</i>
B	B	B	INCORP. EO # 1084 & 1085 *K. Karvaka 2/25/71	2-25-71 2-25-71	<i>JFA</i> <i>K.P.</i>
B.	C	C	INCORP. DCN # 2138 *K. Karvaka 3/18/71	3-23-71 3-19-71	<i>JFA</i> <i>K.P.</i>
B	D	D	INCORP E.O. 2903 & 2106 *J. Alvarez 6/2/71	6-7-71 6-2-71	<i>JFA</i> <i>K.P.</i>
C	E	E	INCORP EO 3501, REDREW ASSY WITH SEPARATE PARTS LIST, ALSO ADDED TOOLING HOLES G. RODRIGUEZ 1-18-72	2-7-72 1-27-72	<i>JFA</i> <i>K.P.</i>
C	F	F	INCORP EO 3503 & 3528, F. LEUTNER, INC. HILLS G. RODRIGUEZ 1-16-72	2-7-72 1-25-72	<i>JFA</i> <i>K.P.</i>
C	G	G	INCORP EO # 3506 1-27-72 G. RODRIGUEZ	2-7-72 1-25-72	<i>JFA</i> <i>K.P.</i>
C	H	H	INCORP EO 3509 2-2-72 G. RODRIGUEZ	2-7-72 1-25-72	<i>JFA</i> <i>K.P.</i>
D	J	J	INC E.O. 3513 P. Luna 4-12-72	4-12-72	<i>JFA</i> <i>K.P.</i>
D	K	K	INCORP EO 3519 MINKES 5-11-72	5-11-72	<i>JFA</i> <i>K.P.</i>
D	L	L	INCORP EO 3936, 3947, 4279 7-2-73	7-2-73	<i>JFA</i> <i>K.P.</i>
D	M	M	INC EO 4332, 4335, 4147 10-17-73	10-17-73	<i>JFA</i> <i>K.P.</i>
D	N	N	INC EO 5099 ULS. 10-17-73	10-17-73	<i>JFA</i> <i>K.P.</i>

MARK "ASSY 03 - 1 - 03 - 0032 - 801 REV M; -802 REV N" .12 HIGH CHARACTERS, COLOR BLACK, LCCATE APPROX AS SHOWN




③ -801 (315-10)
-802 (500-10)

CONFIDENTIAL PROPRIETARY INFORMATION
This item is the property of Datapoint Corporation, San Antonio, Texas, and contains confidential and trade secret information. This item may not be transferred from the custody or control of Datapoint except as authorized by Datapoint and then only by way of loan for limited purposes. It must not be reproduced in whole or in part and must be returned to Datapoint upon request and in all events upon completion of the purpose of the loan.
Neither this item nor the information it contains may be used by or disclosed to persons not having a need for such use or disclosure consistent with the purpose of the loan, without the prior written consent of Datapoint.

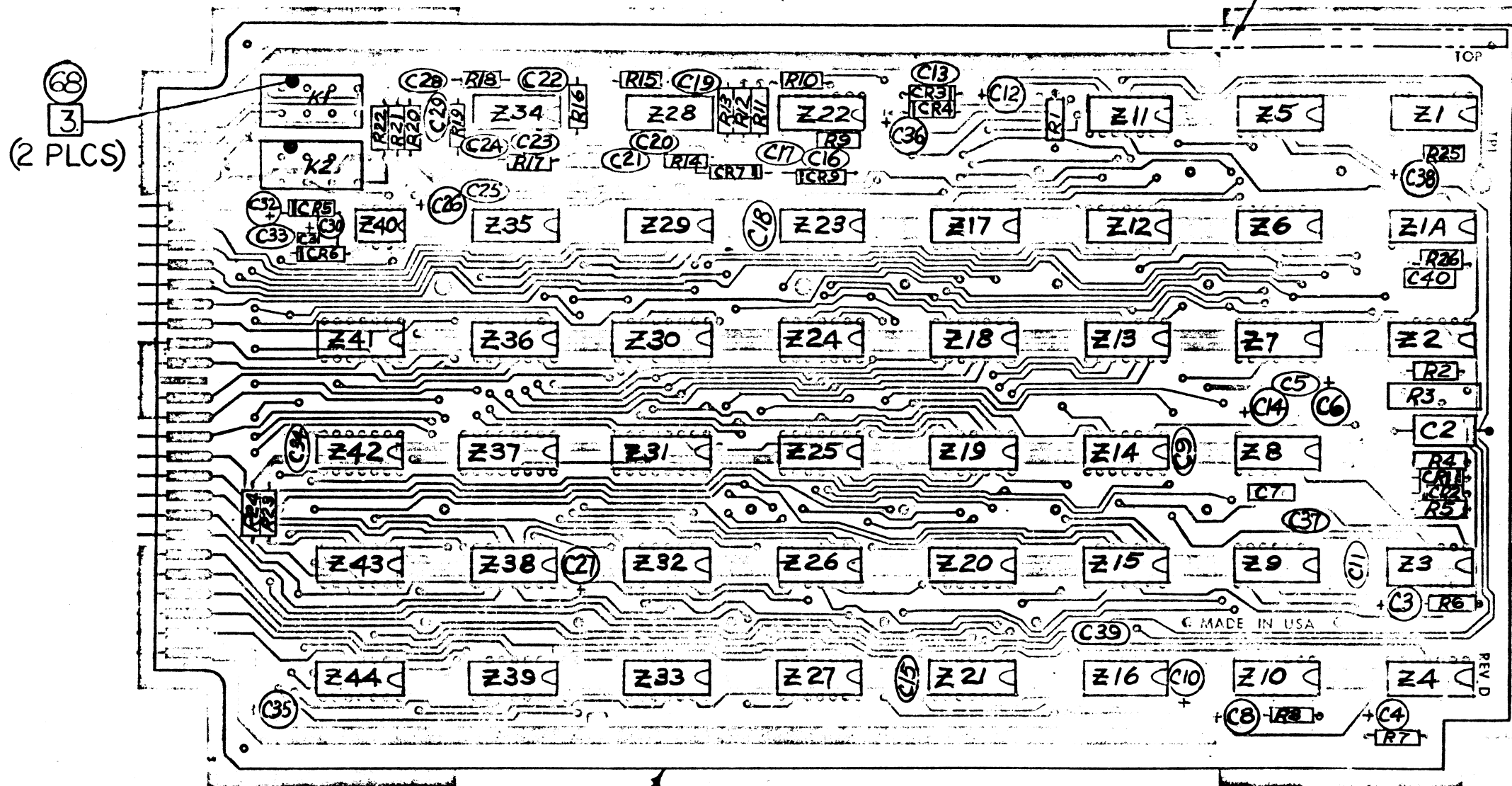
EO 5191 OUTSTANDING

FOR PARTS LIST SEE P/E 03-1-03-0032

QTY	CTC PART NO.	NOMENCLATURE	VENDOR PART NO.	VENDOR	REF DES	ITEM	
		PARTS LIST					
2200	USED ON	UNLESS OTHERWISE SPECIFIED ALL DIMENSIONS ARE IN INCHES AND INCLUDE APPLIED FINISH.	DRAWN G. RODRIGUEZ	DATE 12-22-71	 8725 DATAPoint BL. SAN ANTONIO, TEXAS 78229 512-699-6529		
		TOLERANCES	CHECKED <i>P. Luna</i>	DATE 1/25/72			
		FRACTIONS ± ANGLES ±	DESIGN ENGINEER <i>J. F. Alvarez</i>	DATE 2-7-72			
		DECIMALS J - ± JOK - ±	PROJECT ENGINEER <i>J. F. Alvarez</i>	DATE 2-7-72			
		MATERIAL:			PWA, DEMODULATOR		
			<i>J. F. Alvarez</i>	2-7-72	SIZE C	DWG NO. 03-1-03-0032	REV N
					SCALE	BY 301 315-10	SHEET 1 OF 1

③ ORIENT BLUE BEAD AS SHOWN
2 .09 MAX. LEAD LENGTH BELOW BOARD
1 .40 MAX. COMPONENT HEIGHT ABOVE BOARD
NOTES: (UNLESS OTHERWISE SPECIFIED)

MARK "ASSY 03 - 1 - 03-0032 - 801 REV M; -802 REV N"
 .12 HIGH CHARACTERS, COLOR BLACK, LOCATE APPROX AS SHOWN



3
 -801 (315-10)
 -802 (500-10)

DATAPOINT CONFIDENTIAL INFORMATION

B	B	INCORP. E
B	C	INCORP. DCN
B	D	INCORP E.O.
C	E	INCORP E.O. 3 WITH SEPARA ADDED TOOLI
C	F	INCORP E.O. 3: ING HULES G. RC
C	G	INCORP E.O.
C	H	INCORP E.O.
D	J	INC E.O. 35
D	K	INCORP E.O.
D	L	INCORP E.O. 393
D	M	INC E.O. 43
D	N	INC E.O. 50

This ite
 Texas, and
 item may r
 except as a
 limited pur
 must be re
 completion
 Neither
 or discloset
 consistent
 consent of

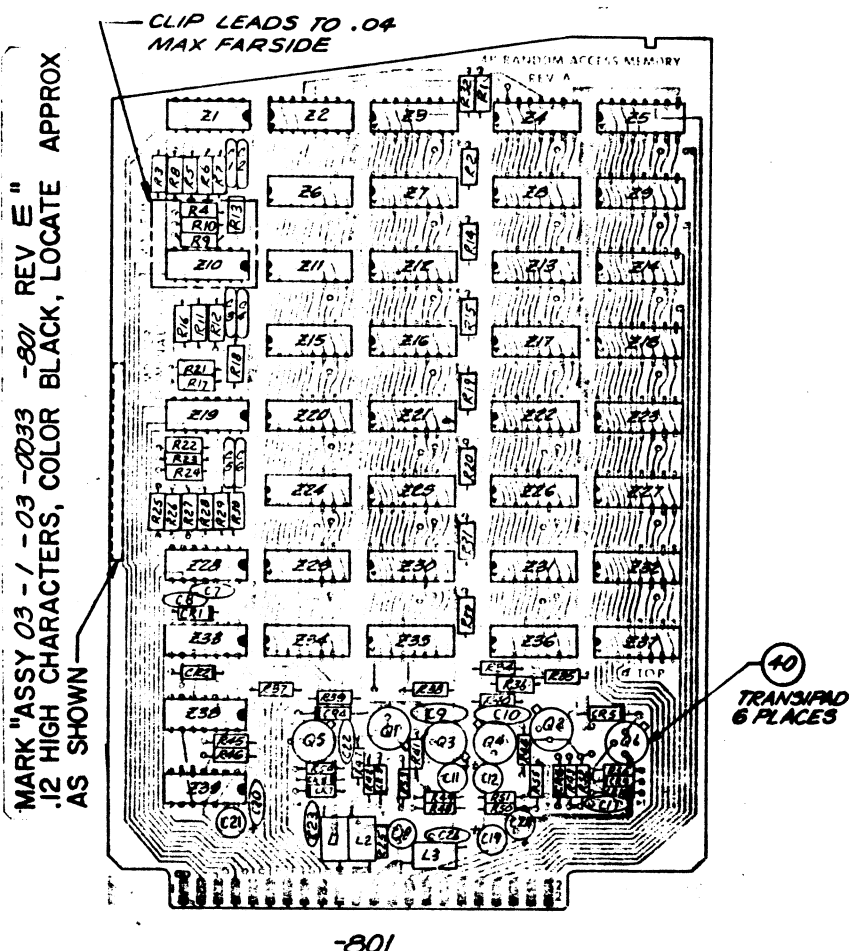
FOR PARTS LIST SEE P/L 03-1

QTY	CTC PART NO	NOMENCLATURE	VEN PA
-----	-------------	--------------	--------

4 3 2 1

REVISION TABLE				
ENGR TAB NO	MFG NO	ASSY REV	A W REV	ENGR APPVD
-801	408-10	E	B	A/G


REVISIONS					
A/W REV	ZONE	LET	DESCRIPTION	DATE	APPROVED
A		A	REVISED PER ENGR CHANGE AND CORRECTED COMP INTERFERENCE ADDED PROVISIONS FOR BUS BAR 1-5-72	2-11-72 1-7-72	H. J. Ahd P.H.
A		B	INC EO 3654. H. K. Newlin 2/29/72	3/8/72	H. J. Ahd
A		C	INCORP EO3866 M. VICKERS 9-11-72	9-15-72	H. J. Ahd
B		D	INCORP EO2878 M. VICKERS 2/27/73	3-12-72	H. J. Ahd
B		E	INCORP EO2895 M. VICKERS 2/27/73		H. J. Ahd



MARK "ASSY 03-1-03-0033 -801 REV E"
.12 HIGH CHARACTERS, COLOR BLACK, LOCATE APPROX
AS SHOWN

DATAPOINT CONFIDENTIAL INFORMATION

FOR PARTS LIST SEE PLO3-1-03-0033
EO 5210 OUTSTANDING
EO 5221

QTY	CTC PART NO.	NOMENCLATURE	VENDOR PART NO.	VENDOR	REF DES	ITEM
PARTS LIST						
		UNLESS OTHERWISE SPECIFIED ALL DIMENSIONS ARE IN INCHES AND INCLUDE APPLIED FINISH.	DRAWN <i>W. B. Buel</i>	DATE 24 NOV 1971	 8725 DATAPoint DR. SAN ANTONIO, TEXAS 78229 512-696-6520	
		TOLERANCES FRACTIONS ± ANGLES ±	CHECKED <i>P.H.</i>	DATE 1-7-72		
		X ± DECIMALS JXX ± ± ±	DESIGN ENGINEER <i>H. J. Ahd</i>	DATE 2-11-72		
		MATERIAL:	PROJECT ENGINEER <i>M. Freeman</i>	DATE 2/1/72	PRINTED WIRING ASSEMBLY 4K RANDOM ACCESS MEMORY	
			<i>Joe Carter</i>	2-11-72	SIZE C	DWG NO. 03-1-03-0033
					SCALE 1/1	CTC P/N 408-10

1. MAX. COMPONENT HEIGHT ABOVE BOARD TO BE .41.
MAX. LEAD LENGTH BELOW BOARD TO BE .09.
NOTES: (UNLESS OTHERWISE SPECIFIED)

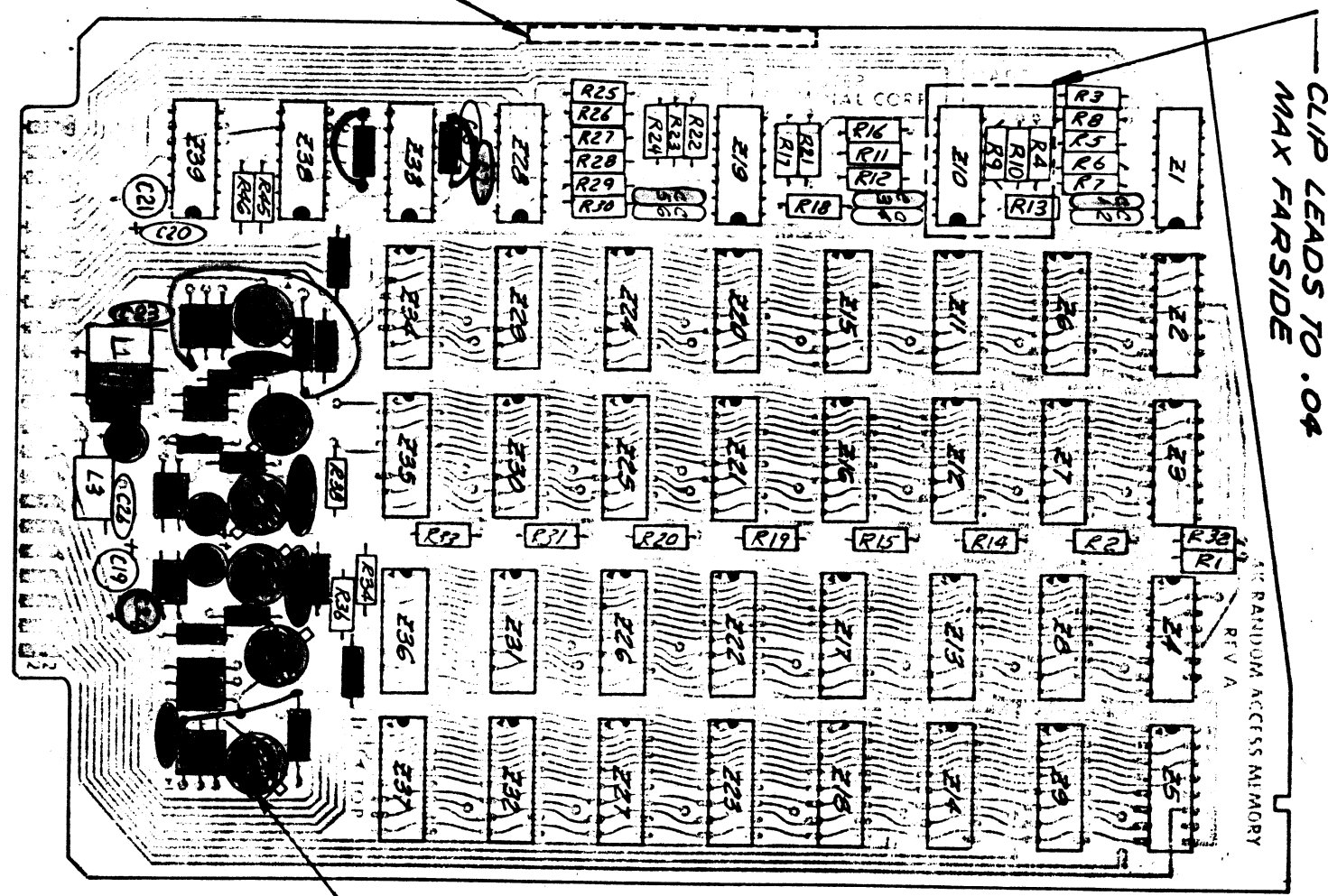
K&E 18 (REV) FORMAT A

03-1-03-0033

A

SHEET 1 OF 1

MARK "ASSY 03 - 1 - 03 - 0033 - 801 REV E"
 .12 HIGH CHARACTERS, COLOR BLACK, LOCATE APPROX
 AS SHOWN



CLIP LEADS TO .04
 MAX FAR SIDE

-801

40
 TRANSIPAD
 6 PLACES

DATAPOINT CONFIDENTIAL INFORMATION

*Red parts are omitted
 Blue - jumpers*

ENGR TAB NO
-801

CTC PART NO	QTY	USED ON	NEXT ASSY
		2200	-1-09-0001
UNLESS DIMENSIC INCLU	FRACTIONS	MATERIAL:	
	X = 1		

4

3

2

1

REVISIONS					
AW REV LTR	ZONE	LET	DESCRIPTION	DATE	APPROVED
-		A	INCORP EO3597 M.V. VALUES	5-11-72	[Signature]
A		B	INCORP EO4203 M.V. VALUES AND EO3989	9/15/73	4-16-73 [Signature]

D

D

C

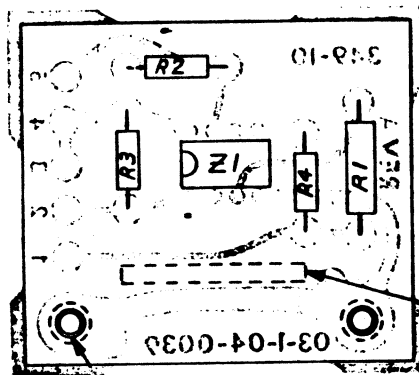
C

B

B

A

A



181-50
 (12) INSTALL STANDOFF FROM FAR SIDE,
 SWAGE NEAR SIDE (2 PLS)

-801

DATAPOINT CONFIDENTIAL INFORMATION

FOR PARTS LIST SEE PL 03-1-03-0039

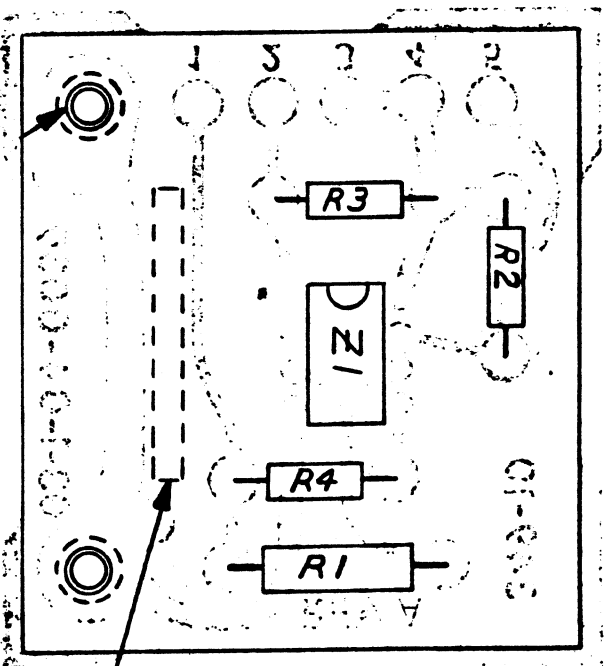
03-1-03-0039

QTY	CTC PART NO.	NOMENCLATURE	VENDOR PART NO.	VENDOR	REF DES	ITEM
PARTS LIST						
		UNLESS OTHERWISE SPECIFIED ALL DIMENSIONS ARE IN INCHES AND INCLUDE APPLIED FINISH.	DRAWN J.T. [Signature]	DATE 8-5-71	Computer Terminal Corporation 5725 DATAPoint BL. SAN ANTONIO, TEXAS 78229 512-389-8889	
		TOLERANCES FRACTIONS ± ~ ANGLES ± ~ DECIMALS X ± ~ JXX ± ~ JOXX ± ~	CHECKED K.P. [Signature]	DATE 8-10-71	PRINTED WIRING ASSY SPEAKER DRIVER CARD	
		MATERIAL:	DESIGN ENGINEER J.F. [Signature]	DATE 9-7-71		
			PROJECT ENGINEER	DATE		
			Joe [Signature]	9-7-71	SIZE C	DWG NO. 03-1-03-0039
					SCALE 2/1	CTC P/N 349-10
					SHEET 1	OF 1

NOTES: (UNLESS OTHERWISE SPECIFIED)

03-1-03-0039

DATAPOINT CONFIDENTIAL INFORMATION



MARK "ASSY 03-1-03-0039 -801 REV B"
 .12 HIGH CHARACTERS, COLOR BLACK,
 LOCATE APPROX AS SHOWN

181-50
 INSTALL STANDOFF FROM FAR SIDE,
 SWAGE NEAR SIDE (2 PLS)

-801

QTY	CTC	PART NO.	NOMENCLATURE

DASH	NEXT ASSY	USED ON	UNLESS OTHERWISE SPECIFIED, ALL DIMENSIONS ARE IN INCHES AND INCLUDE APPLIED FINISH.	DRAWN J.T. [Signature]
-801	03-09-0001	2200		
MATERIAL:			TOLERANCES FRACTIONS ± ~ ANGLES ± ~ DECIMALS XX ± ~ XXX ± ~	CHECKED R.P. [Signature] DESIGN ENGINEER P.F. [Signature] PROJECT ENGINEER
PAR				

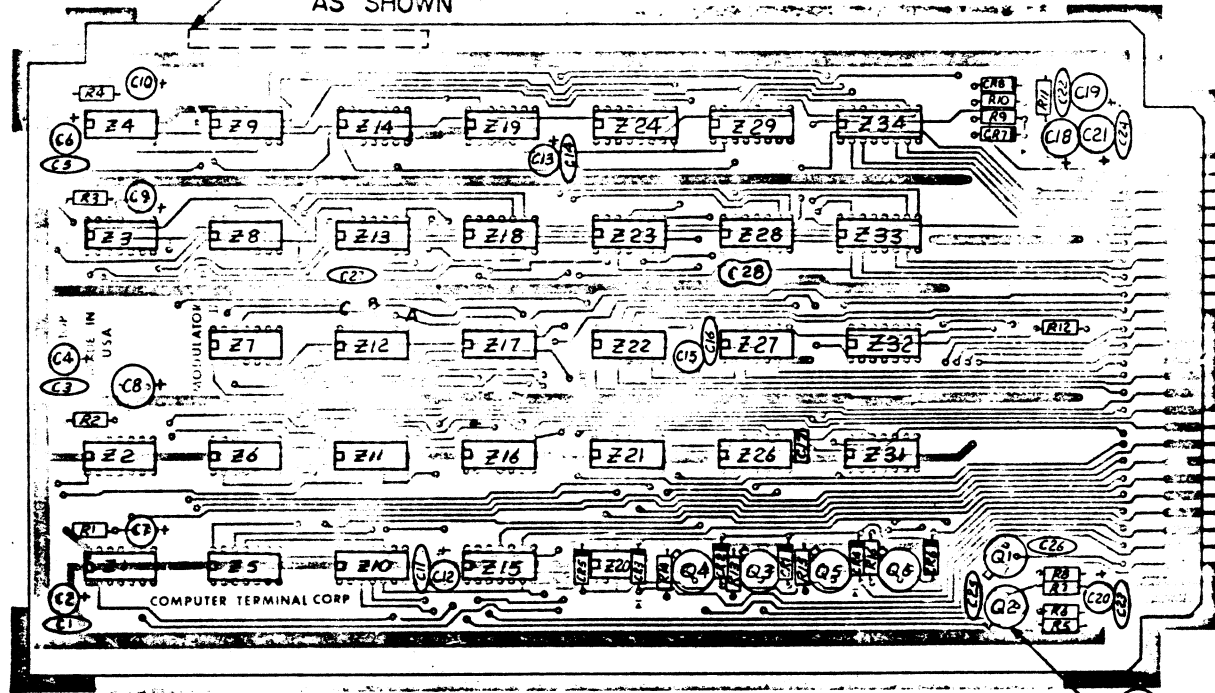
SPECIFIED)

Joe O'Steen

REVISION TABLE				
ENGR NO.	MFG NO.	ASSY REV	A/W REV	ENG APPV
-801	420-10	B	-	MJB
-802	499-10	B	-	MJB

AW REV LTR	ZONE	LET	REVISIONS		
			DESCRIPTION	DATE	APPROVED
-	-	A	INC. E.O. #3951 Q. Miami 7/20/72	7-20-72	7A
-	-	B	INC. E.O. #3935, 3946, 4278 3-2-73	3-2-73	MJB
-	-	C	INC. E.O. 4331, 4147 J. L. 9-27-73	10-27-73	B. Allen

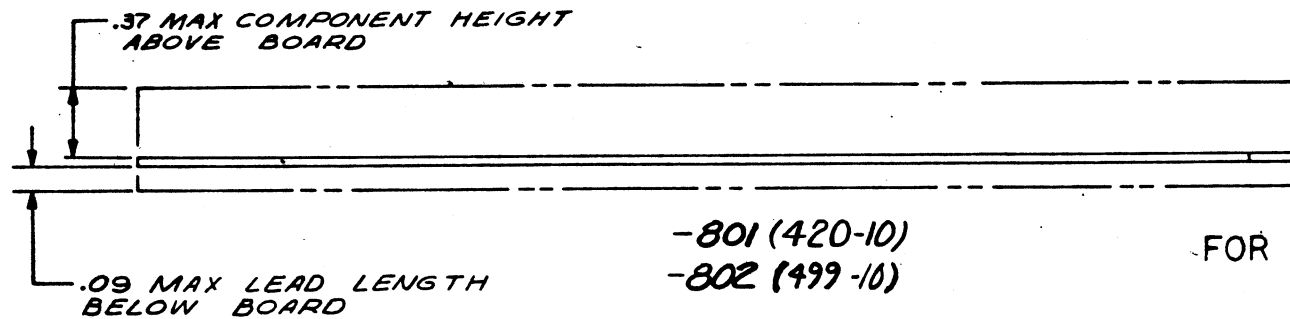
MARK "ASSY 03-1-03-0042-801 REV B OR -802 REV B",
.12 HIGH CHARACTERS, COLOR BLACK, LOCATE APPROX
AS SHOWN



CONFIDENTIAL PROPRIETARY INFORMATION

This item is the property of Datapoint Corporation, San Antonio, Texas, and contains confidential and trade secret information. This item may not be transferred from the custody or control of Datapoint except as authorized by Datapoint and then only by way of loan for limited purposes. It must not be reproduced in whole or in part and must be returned to Datapoint upon request and in all events upon completion of the purpose of the loan.

Neither this item nor the information it contains may be used by or disclosed to persons not having a need for such use or disclosure consistent with the purpose of the loan, without the prior written consent of Datapoint.



MFG NO.	ENGR NO.	DESCRIPTION	INSTALL JUMPER	
			FROM	TO
420-10	801	RECORD SPEED 3840 BPS (7.5 IPS)	A	C
499-10	802	RECORD SPEED 7680 BPS (15 IPS)	A	B

1. INSTALL JUMPER WIRES PER JUMPER LIST

NOTES: (UNLESS OTHERWISE SPECIFIED)

QTY	CTC PART NO.	NOMENCLATURE	VENDOR PART NO.	VENDOR	REF DES	ITEM
2200	2200	USED ON				
2200	03-1-03-0001	PRINTED WIRING ASSY				
2200	03-1-03-0001	DASH				

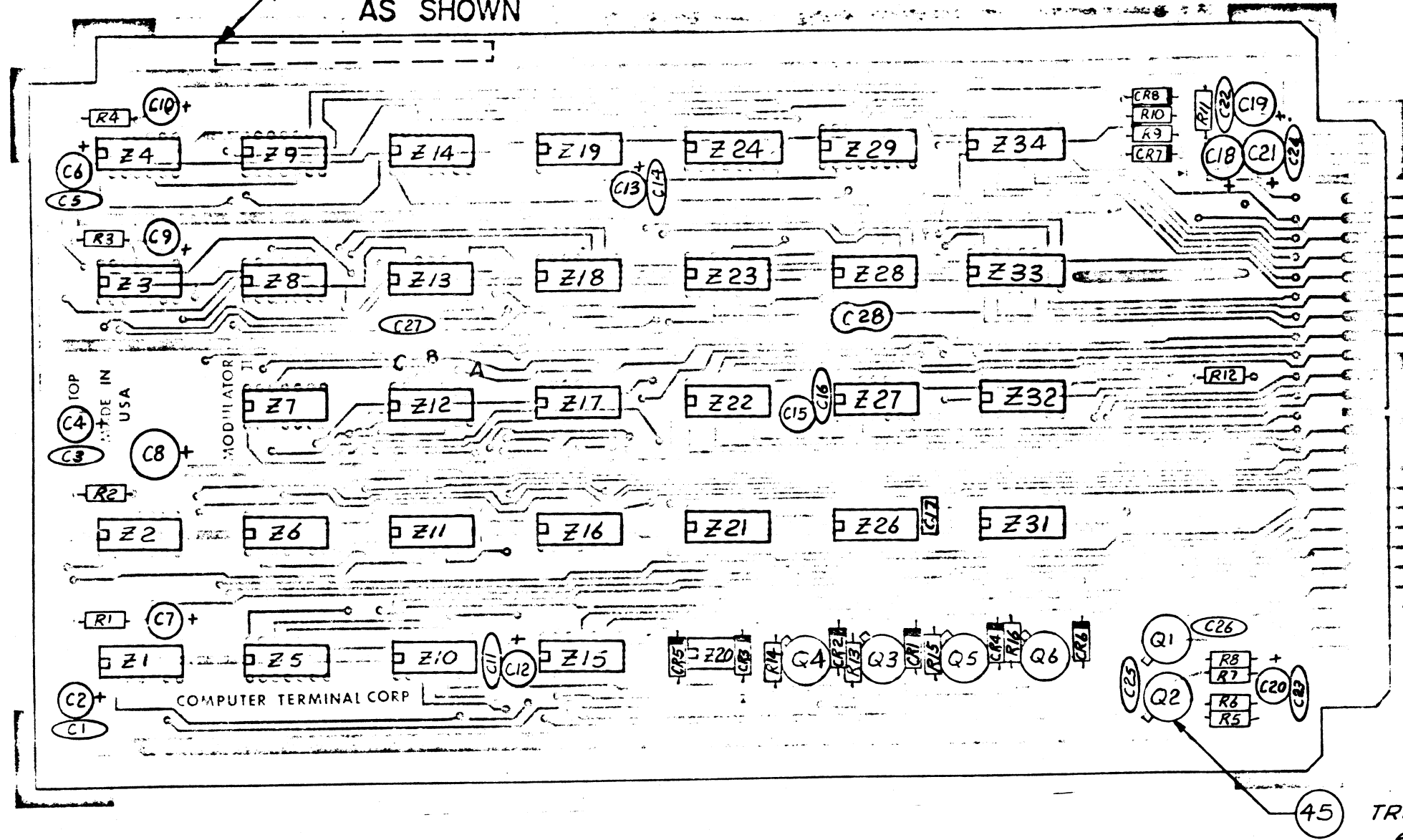
UNLESS OTHERWISE SPECIFIED ALL DIMENSIONS ARE IN INCHES AND INCLUDE APPLIED FINISH.		DRAWN G. RODRIGUEZ	DATE 2-14-72
TOLERANCES FRACTIONS ± ANGLES ±		CHECKED P. Harris	DATE 2-16-72
X ± DECIMALS XX ±		DESIGN ENGINEER J. F. Alexander	DATE 2-21-72
MATERIAL:		PROJECT ENGINEER J. F. Alexander	DATE 2-21-72
		Joe Carter	DATE 2-21-72

Computer Terminal Corporation		8725 DATAPoint DR. SAN ANTONIO, TEXAS 78229 512-596-4528	
PRINTED WIRING ASSY, MODULATOR II			
SIZE C	DWG NO. 03-1-03-0042	REV C	
SCALE 1/1		DAPT P/N 420-10	SHEET 1 OF 1

REVISION TABLE				
ENGR NO.	MFG NO.	ASSY REV	A/W REV	ENG APPV
-801	420-10	B	-	MRB
-802	499-10	B	-	MRB

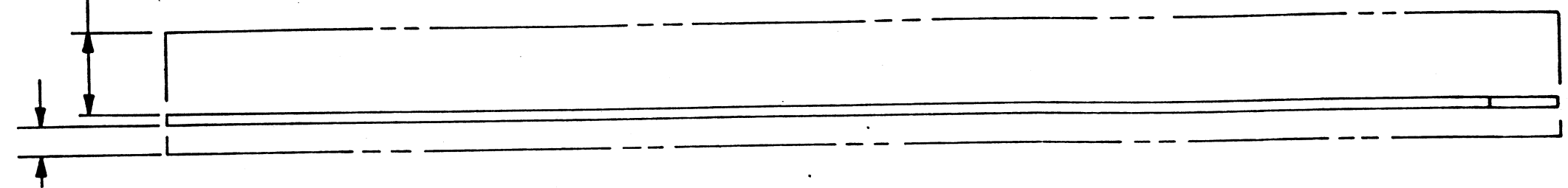
AW REV LTR	ZONE	LET	DESC
-	-	A	INC. E.O. #395
-	-	B	INC E.O. #395
-	-	C	INC E.O. 4331

MARK "ASSY 03-1-03-0042-801 REV B OR -802 REV B",
 .12 HIGH CHARACTERS, COLOR BLACK, LOCATE APPROX
 AS SHOWN



.37 MAX COMPONENT HEIGHT
 ABOVE BOARD

DATAPOINT CONFIDENTIAL INFORMATION

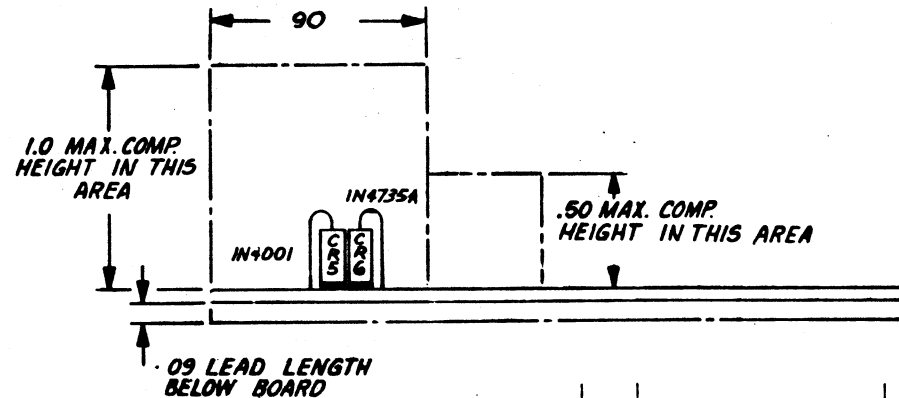
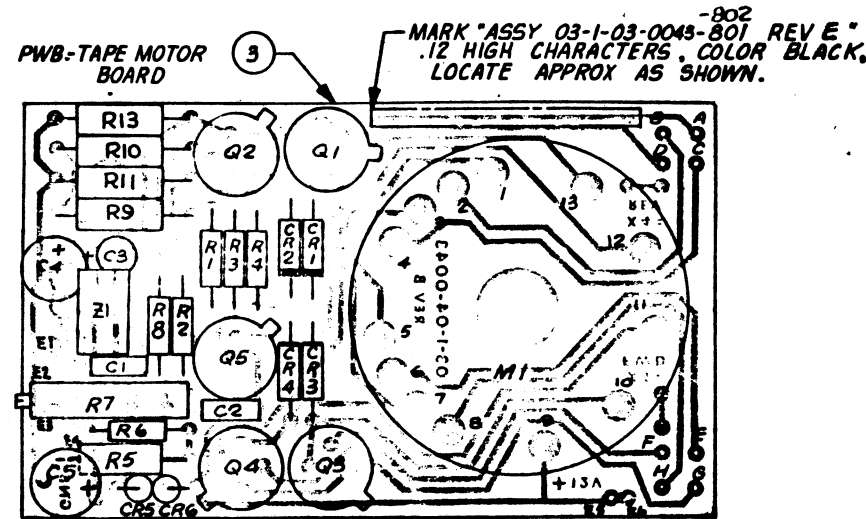


This item is made in Texas, and its use may not be disclosed except as a limited purpose. Neither the name nor the location of the manufacturer must be re-disclosed without the consent of the manufacturer.

JUMPER LIST			
DASH NO.	DESCRIPTION	INSTALL FROM	JUMPER TO
-801	FORWARD	A	C
		B	D
		E	G
		F	H
-802	REVERSE	A	B
		C	D
		E	F
		G	H

REVISION TABLE				
ENGR TAB NO	MFG NO	ASSY REV	A W REV	ENGR APPVD
-801	422-10	E	B	<i>[Signature]</i>
-802	444-10	E	B	<i>[Signature]</i>

AW REV	REVISIONS				
	ZONE	LET	DESCRIPTION	DATE	APPROVED
A		A	INC. E.O. # 3740 <i>Q. Moore</i> 7/20/72	7/20/72	<i>[Signature]</i>
B		B	INCORP EO 3743 C4 WAS 47M, 15V 2-18-73 M VICKERS	2-26-73	<i>[Signature]</i>
B		C	INCORP EO 3745 M VICKERS	2/22/73	<i>[Signature]</i>
B		D	INCORP EO 3747 M VICKERS	2/22/73	<i>[Signature]</i>
B		E	INCORP EO 3748 M VICKERS (& EO 3888, MFG ONLY)	2-26-73	<i>[Signature]</i>



DATAPOINT CONFIDENTIAL INFORMATION

FOR PARTS LIST SEE PL-03-1-03-0043

QTY	CTC PART NO.	NOMENCLATURE	VENDOR PART NO.	VENDOR	REF DES	ITEM
2200	2200	USED ON				
2200	03-1-03-0200	NEXT ASSY				
2200	03-1-03-0200	DASH				

UNLESS OTHERWISE SPECIFIED ALL DIMENSIONS ARE IN INCHES AND INCLUDE APPLIED FINISH.		DRAWN <i>H. H. ...</i>	DATE 2/24/72	<p>8726 DATAPORT DR. SAN ANTONIO, TEXAS 78229 512-596-4539</p>
TOLERANCES FRACTIONS ± ANGLES ±		CHECKED <i>[Signature]</i>	DATE 2-29-72	
DECIMALS X - ± XX - ± XXX - ±		DESIGN ENGINEER <i>Mc Douglas</i>	DATE 4-8-72	
MATERIAL:		PROJECT ENGINEER <i>J. F. Alexander</i>	DATE 4-8-72	
		<i>Joe E. Steen</i>	DATE 4-10-72	SIZE C
		DWC NO. 03-1-03-0043		REV E
		SCALE 2/1		CTC P/N: 108 388-75 SHEET 1 OF 1

2 CR5 & CR6 WERE SELECTED FOR TEMPERATURE COMPENSATION AND MAY NOT BE SUBSTITUTED.

1 CIRCUITRY IS ON FAR SIDE AND IS SHOWN FOR REF ONLY.

NOTES: (UNLESS OTHERWISE SPECIFIED)

REV ↑ E
03-1-03-0043

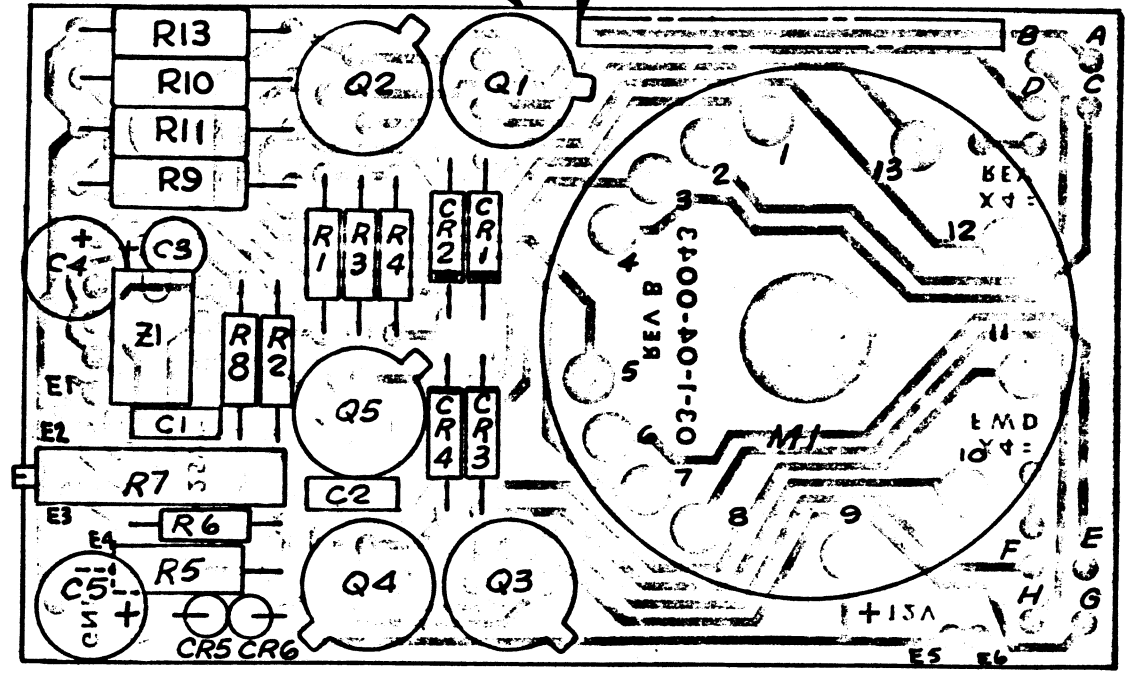
-802 | 444-10 | E | B | *img*

		C4 WAS
B	C	INCORP
B	D	INCORP
B	E	INCORP E (& EO 38)

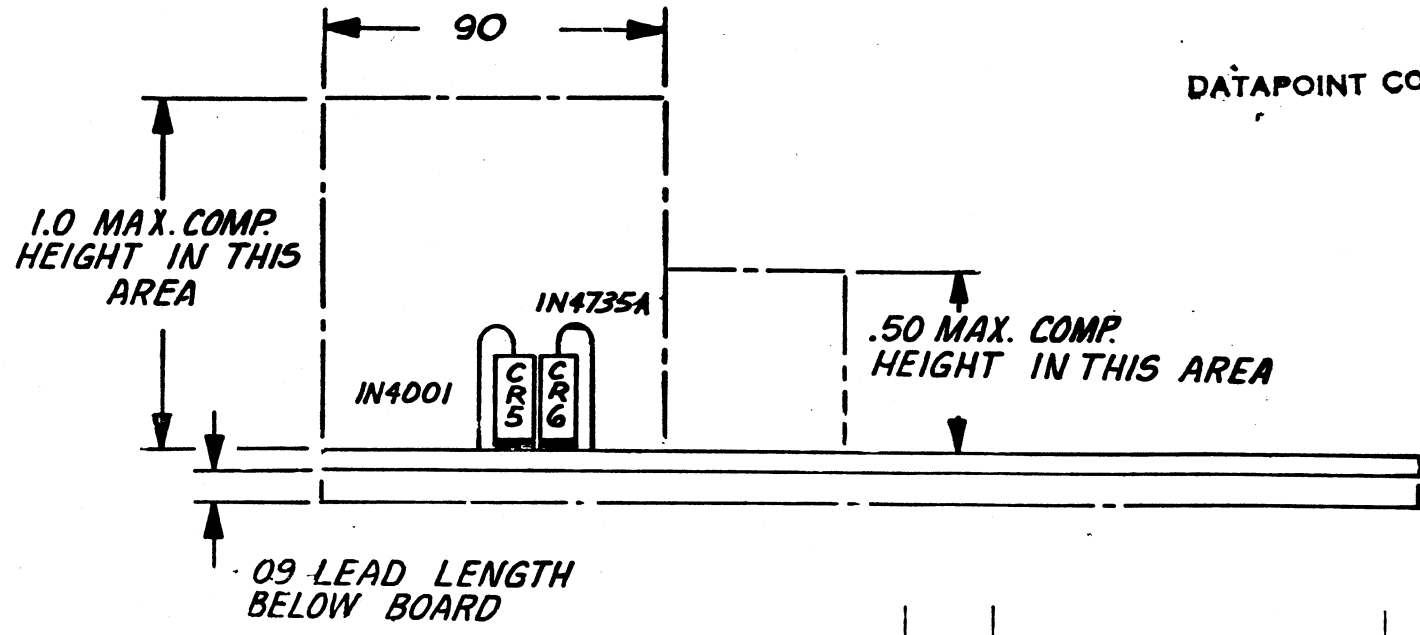
-801	FORWARD	A	C
		B	D
		E	G
		F	H
-802	REVERSE	A	B
		C	D
		E	F
		G	H

PWB-TAPE MOTOR BOARD 3

⁻⁸⁰² MARK "ASSY 03-1-03-0043-801 REV E" .12 HIGH CHARACTERS, COLOR BLACK. LOCATE APPROX AS SHOWN.



DATAPOINT CONFIDENTIAL INFORMATION



FOR PARTS LIST SEE

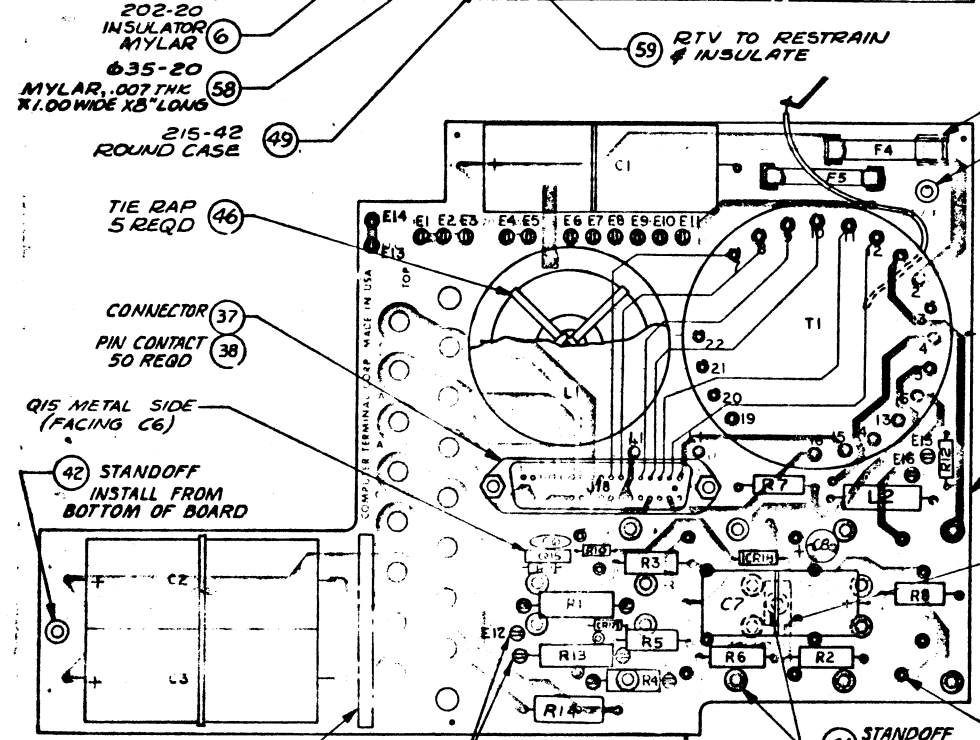
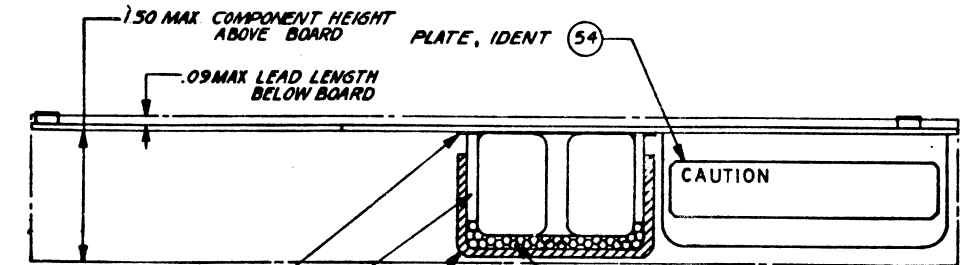
D

C

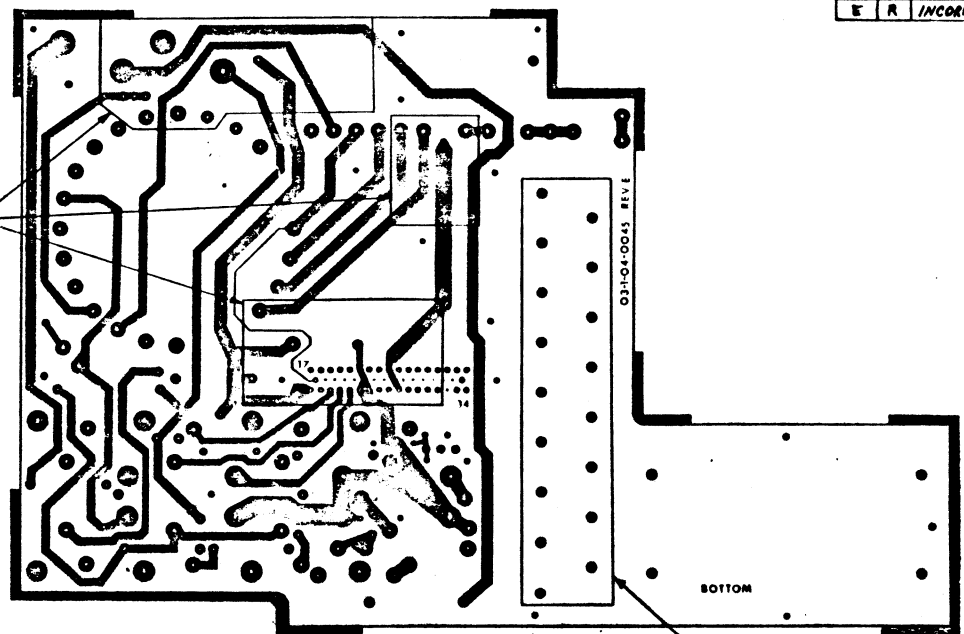
B

REVISION TABLE				
ENGR TAB NO	MFG NO	ASYS REV	AW REV	ENGR APPVD
-801	441-10	R	E	11/1/72
-802	447-10	R	E	11/1/72

REVISIONS				
AW/REV/LTR	LET	DESCRIPTION	DATE	APPROVED
A	A	INC EO 2817	4-18-72	
A	B	INCCORP EO 3673 M VICKERS	5-18-72	
A	C	INCCORP EO 3524 R J M	5-16-72	
B	D	INC EO 3927	7-25-72	
B	E	INC EO 3929	7-25-72	
B	F	INC EO 3820	7-25-72	
B	G	INC EO 3931	7-25-72	
C	H	INC EO 3932	9-11-72	
C	J	INC EO 3486	9-11-72	
C	K	INCCORP EO 3489	9-12-72	
D	L	INC EO 4087 M VICKERS	11-13-72	
E	M	INCCORP EO 3496 M VICKERS	8-8-73	
E	N	EO 3497 MANUFACTURING	2-8-73	
E	P	INCCORP EO 4049 M VICKERS	2-8-73	
E	R	INCCORP EO 4136 C. J. HAN	5-18-73	

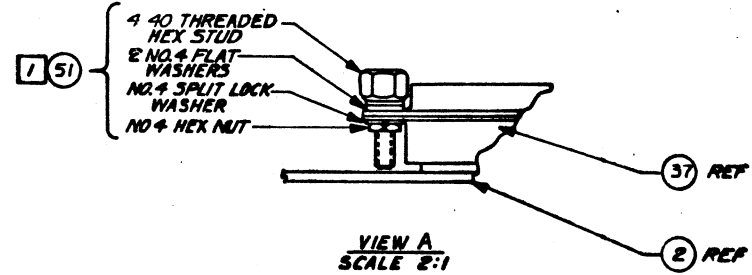


- (59) RTV TO RESTRAIN & INSULATE
- (39) FUSE CLIP & REQD
- (40) STANDOFF INSTALL FROM BOTTOM OF BOARD
- (4) PWB
- (45) CABLE TIE MOUNTING
- (52) SCREW, FLAT HD 6-32X5/16
- (56) LOCTITE, SCREW LOCK
- (46) CABLE TIE
- (43) SPRING SOCKET 16 PLCS INSTALL FROM BOTTOM OF BOARD
- (41) STANDOFF 17 PLCS INSTALL FROM BOTTOM OF BOARD



MASK THIS AREA & STANDOFFS AS NECESSARY TO ASSURE THESE AREAS REMAIN FREE OF CONFORMAL COATING

-801 (110V)
 -802 (220V)



EO 5144 REF., 5224
 EO 4479 OUTSTANDING
 DATAPoint CONFIDENTIAL INFORMATION

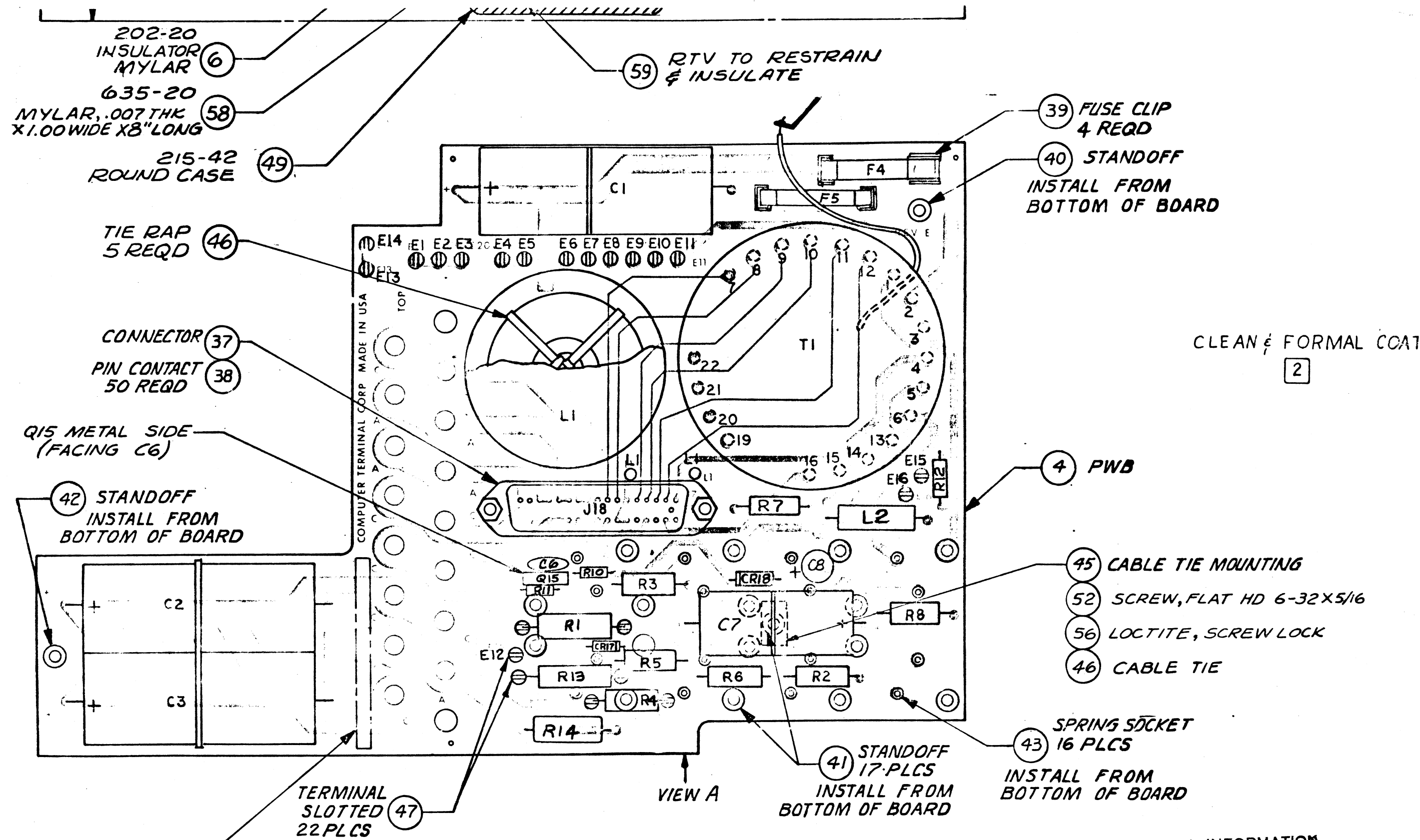
FOR PARTS LIST SEE PL03-1-03-0045

QTY	CTC PART NO.	NOMENCLATURE	VENDOR PART NO.	VENDOR	REF DES	ITEM
PARTS LIST						
2200		UNLESS OTHERWISE SPECIFIED ALL DIMENSIONS ARE IN INCHES AND INCLUDE APPLIED FINISH.				
2200		TOLERANCES				
		FRACTIONS ±				
		DECIMALS ±				
		INCHES ±				
		MATERIAL:				
		DRAWN M VICKERS 3-22-72				
		CHECKED [Signature] 3-29-72				
		DESIGN ENGINEER [Signature] 7-19-72				
		PROJECT ENGINEER [Signature] 7/26/72				
		DATE 3-30-72				
		SCALE 1/1				
		Computer Terminal Corporation				
		PRINTED WIRING ASSY, 110V/220V POWER SUPPLY DC/DC CONVERTER				
		SIZE D	CTC P/N 03-1-03-0045	REV R		
			DWG NO 03-1-03-0045			

(2) CONFORMAL COAT PER THE FOLLOWING PARA., THE THICKNESS OF THE CONFORMAL COATING WILL BE SUFFICIENT TO WITHSTAND 1 KV RMS FOR ONE (1) SECOND WITH VOLTAGE APPLIED BETWEEN EITHER POWER LEAD AND CHASSIS GRD. WITHOUT ARCING OR BREAKDOWN. USE PAN AMERICAN RESEARCH CO. PC101 OR AN ENGR. APPR. EQUIV.

(1) TIGHTEN TO 8 INCH LBS TORQUE MAX.
 NOTFS: (UNLESS OTHERWISE SPECIFIED)

03-1-03-0045



202-20
INSULATOR
MYLAR (6)

635-20
MYLAR, .007 THK (58)
X1.00 WIDE X8" LONG

215-42 (49)
ROUND CASE

(59) RTV TO RESTRAIN
& INSULATE

(39) FUSE CLIP
4 REQD

(40) STANDOFF
INSTALL FROM
BOTTOM OF BOARD

TIE RAP (46)
5 REQD

CONNECTOR (37)
PIN CONTACT (38)
50 REQD

CLEAN & FORMAL COAT (2)

Q15 METAL SIDE
(FACING C6)

(42) STANDOFF
INSTALL FROM
BOTTOM OF BOARD

(4) PWB

(45) CABLE TIE MOUNTING

(52) SCREW, FLAT HD 6-32 X 5/16

(56) LOCTITE, SCREW LOCK

(46) CABLE TIE

(43) SPRING SOCKET
16 PLCS
INSTALL FROM
BOTTOM OF BOARD

(41) STANDOFF
17 PLCS
INSTALL FROM
BOTTOM OF BOARD

TERMINAL
SLOTTED (47)
22 PLCS

MARK "ASSY 03-1-03-0045-⁸⁰¹/₈₀₂ REV R"
.12 HIGH CHARACTERS, COLOR BLACK, LOCATE
APPROX AS SHOWN

DATAPOINT CONFIDENTIAL INFORMATION

-801 (110V)
-802 (220V)

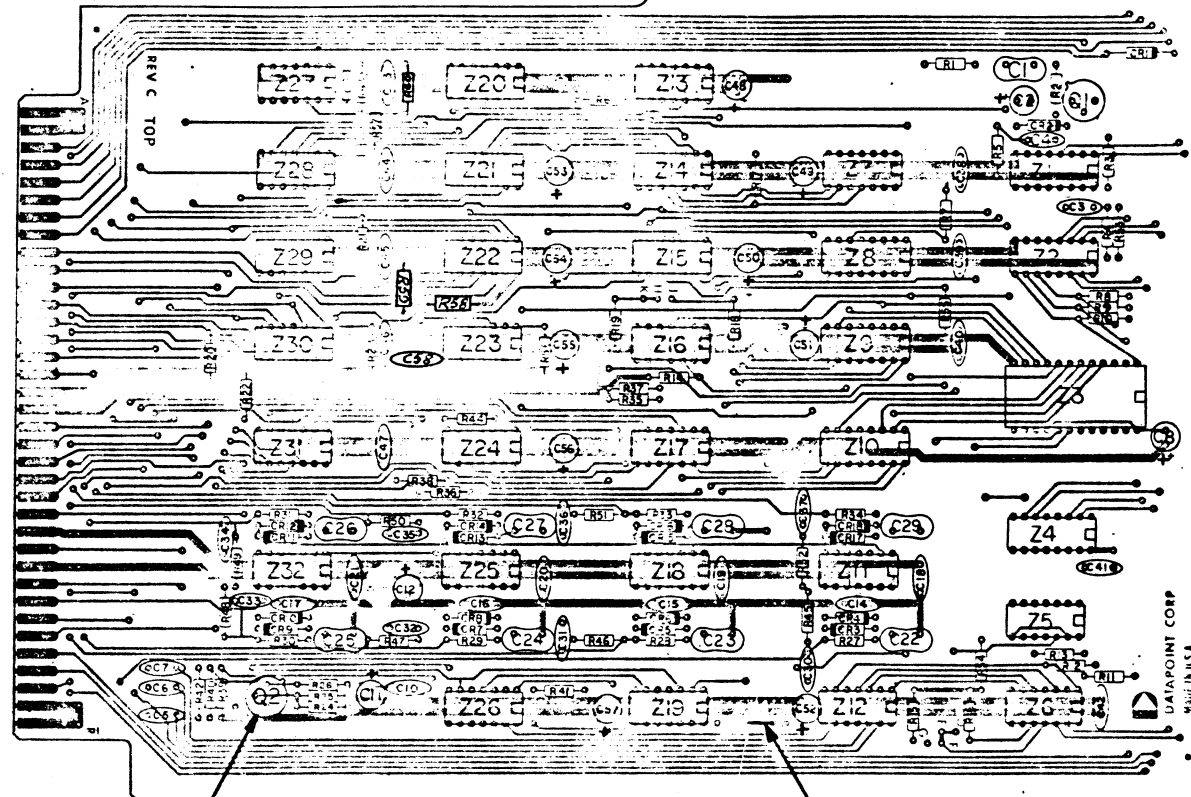
(51) 4 40 THREADED
HEX STUD
2 NO. 4 FLAT
WASHERS

REVISION TABLE			
ENGR NO	MFG NO	ASSY REV	A/W REV
-801	470-10	E	C
-802	515-10	E	C
-803	551-10	-	C

AW REV LTR	REVISIONS				
	ZONE	LET	DESCRIPTION	DATE	APPROVED
A	-	-	INITIAL RELEASE		
B	A	-	INC. E.O. #3638 Q. Main 8/10/72	8-10-72	JTG
B	B	-	INC EO 3871 M VICKERS 11-7-72	11-8-72	DM
B	C	-	INC EO 3939 M VICKERS 11-7-72	11-8-72	DM
B	D	-	INC EO 2885, ADD -802 M VICKERS 12-28-72	1-2-73	JTG
C	E	-	INC EO 4281 & EO 5003, ADD -803	10-1-73	JTG

MARK "ASSY 03-1-03-0046-801 REVE, -802 REVE, OR -803 REV -"
.12 HIGH CHARACTERS, COLOR BLACK, LOCATE APPROX
AS SHOWN

JUMPER TABLE		
DESCRIPTION	FROM	TO
-801 & -803 STANDARD JUMPERS	B	C
	D	E
	H	K
-802 KATAKANA	H	K
	J	E
	B	C



CONFIDENTIAL PROPRIETARY INFORMATION

This item is the property of Datapoint Corporation, San Antonio, Texas, and contains confidential and trade secret information. This item may not be transferred from the custody or control of Datapoint except as authorized by Datapoint and then only by way of loan for limited purposes. It must not be reproduced in whole or in part and must be returned to Datapoint upon request and in all events upon completion of the purpose of the loan.

Neither this item nor the information it contains may be used by or disclosed to persons not having a need for such use or disclosure consistent with the purpose of the loan, without the prior written consent of Datapoint.

FOR PARTS LIST SEE PLO3-1-03-0046

- (66) TRANSIPADS 2PLCS
- 801 SHOWN P/N 470-10 SWEDISH/141
- 802 P/N 515-10 KATAKANA
- 803 P/N 551-10 SWEDISH/142
- (67) WIRE, 22 AWG SEE JUMPER TABLE

ED'S OUTSTANDING 5323, 5249, 5222, 5362

QTY	CTC PART NO.	NOMENCLATURE	VENDOR PART NO.	VENDOR	REF DES	ITEM

PARTS LIST

2200	2200	2200	USED ON	UNLESS OTHERWISE SPECIFIED ALL DIMENSIONS ARE IN INCHES AND INCLUDE APPLIED FINISH.	DRAWN J Smith 5-11-72	DATE	Computer Terminal Corporation 9725 DATAPoint DR. SAN ANTONIO, TEXAS 78228 512-696-4828	
				TOLERANCES FRACTIONS ± ANGLES ± X ± DECIMALS XX ± JXX ±	CHECKED D Moore 6/27/72 DESIGN ENGINEER	DATE		
				MATERIAL:	PROJECT ENGINEER S J O'Neil 6-26-72	DATE	PWA, KEYBOARD LOGIC II	
-803	03-1-03-0046	-802	32-1-09-0001	-801	03-1-03-0001	DASH	SIZE C	
NOTES: (UNLESS OTHERWISE SPECIFIED)							DWG NO. 03-1-03-0046	REV E
							SCALE 1/1	SHEET 1 OF 1

- 2. MAX LEAD LENGTH BELOW BOARD TO BE .09
- 1. MAX COMPONENT HEIGHT ABOVE BOARD TO BE .41

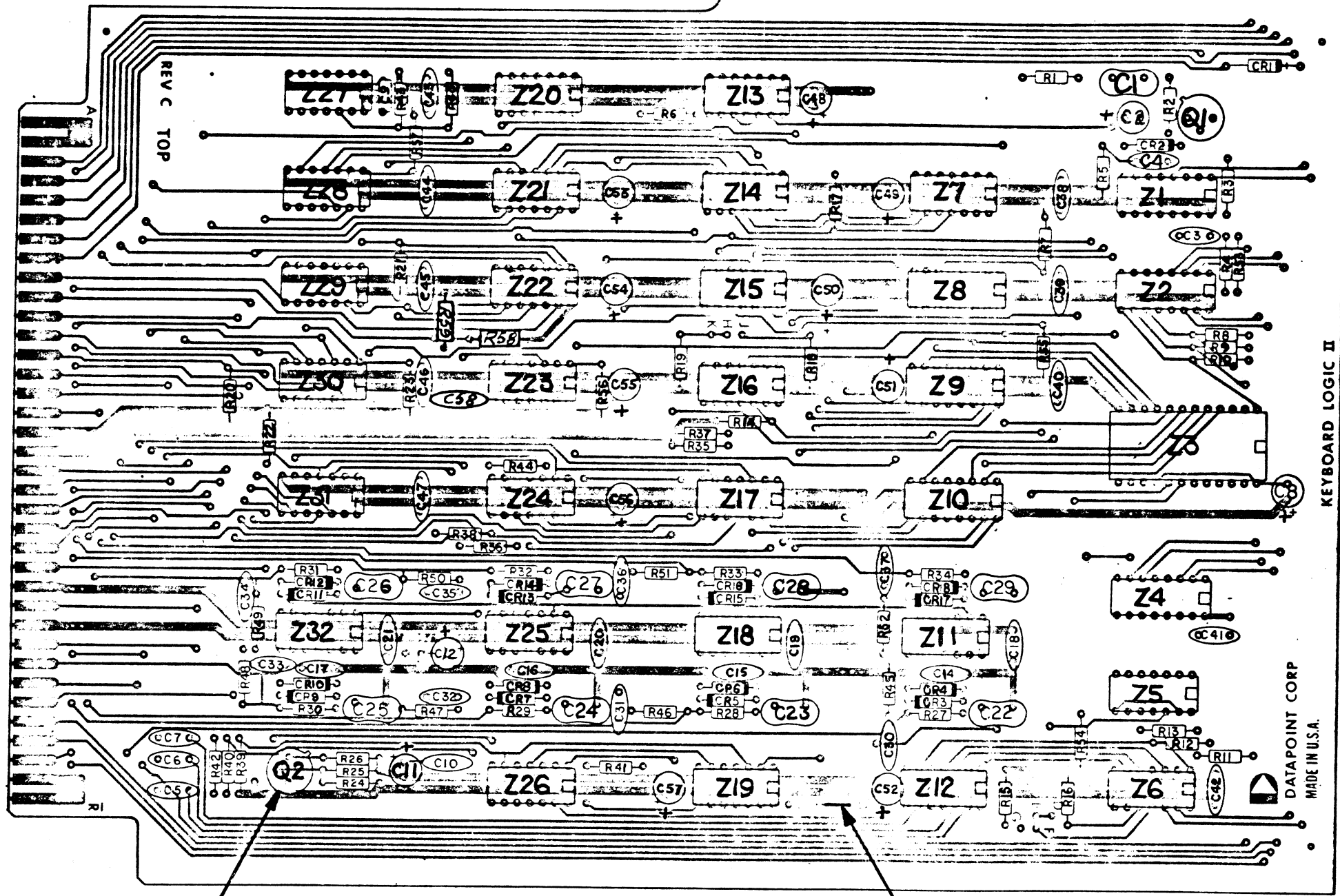
NOTES: (UNLESS OTHERWISE SPECIFIED)

03-1-03-0046 REV E

B	D	INC EO 2885, M
C	E	INC EO 4281, EO

MARK "ASSY 03-1-03-0046-801 REVE, -802 REVE, OR -803 REV -"
.12 HIGH CHARACTERS, COLOR BLACK, LOCATE APPROX
AS SHOWN

JUMPER TABLE		
DESCRIPTION	FROM	TO
01 & -803 STANDARD JUMPERS	B D H	C E K
-802 KATAKANA	H J B	K E C



(66) TRANSIPADS
2PLCS

- 801 SHOWN P/N 470-10 SWEDISH/141
- 802 P/N 515-10 KATAKANA
- 803 P/N 551-10 SWEDISH/142

(67) WIRE, 22 AWG
SEE JUMPER TABLE

FOR PARTS LIS

QTY	CTC PART NO.	NOMENCLATURE	VENDOR PART NO.

CON
This item
Texas, and co
item may not
except as auth
limited purpos
must be retur
completion of
Neither th
or disclosed to
consistent with
consent of Da

4

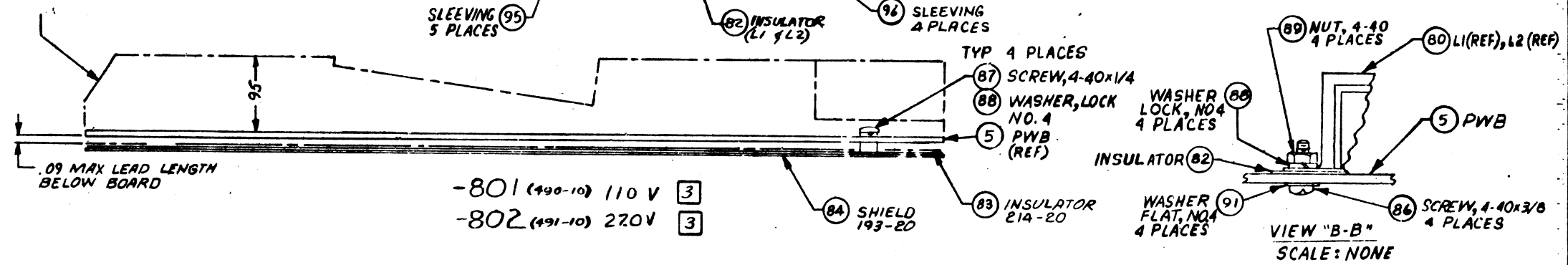
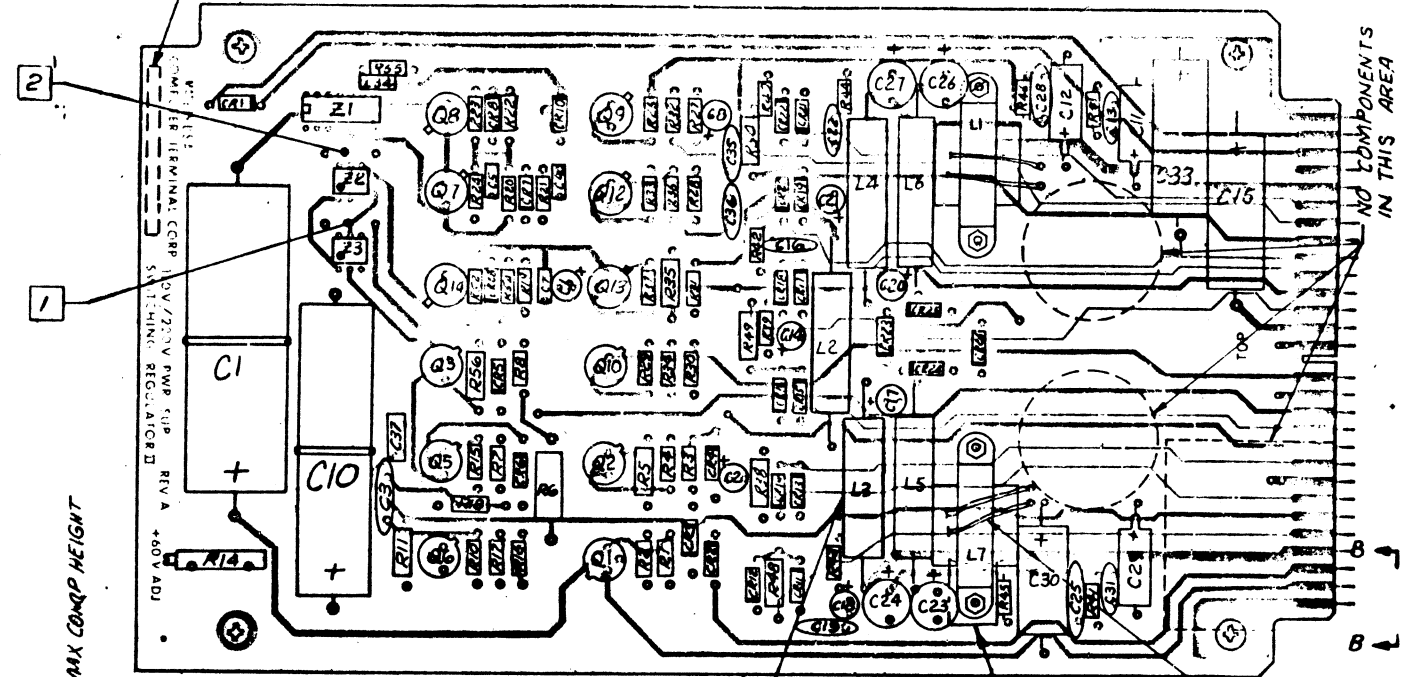
2

1

REVISION TABLE				
ENGR TAB NO	MFG NO	ASSY REV	A W REV	ENGR APPVD
-801	490-10	B	A	7/73
-802	491-10	B	A	7/73

REVISIONS				
AW/EL	LET	DESCRIPTION	DATE	APPROVED
A	A	INCORP EO 3500 M VOLTAGES 1-21-72 REWORK A/W TO MIL SPEC P75	11-23-72	[Signature]
A	B	INC EO 4352 C.Lane 5-17-73	5-21-73	[Signature]

MARK "ASSY 03-1-03-0051-801 or 802 REV "B"
12 HIGH CHARACTERS, COLOR BLACK, LOCATE APPROX
AS SHOWN



DATAPOINT CONFIDENTIAL INFORMATION

FOR PARTS LIST SEE PLO3-1-03-0044

EO 52-46 OUTSTANDING

- 3 BEFORE INSTALLING ITEM 84 (SHIELD) & 83 (INSULATOR) REMOVE GREASE ETC. FROM BOARD, MASK EDGE CONNECTOR (TOP & BOTTOM), TRIM POT ADJUSTMENT POINT AND CONFORMAL COAT BOTH SIDES. THICKNESS OF THE CONFORMAL COATING WILL BE SUFFICIENT TO 10 WITHSTAND 1 KVRMS FOR ONE (1) SECOND WITH VOLTAGE APPLIED BETWEEN EITHER PWR LEAD AND CHASSIS GROUNDS WITHOUT ARCING OR BREAKDOWN. USE PAN AMERICAN RESEARCH CO. PC101 OR ENGR APPRD EQUIV.
- 2 PROVISIONS ARE MADE ON THE ARTWORK FOR A 1/4W RESISTOR (R51) BETWEEN 22 PIN 6 AND 22 PIN 4, BUT NOT USED
- 1 PROVISIONS ARE MADE ON THE ARTWORK FOR A 1/4W RESISTOR (R53) BETWEEN 23 PIN 6 AND 23 PIN 4, BUT NOT USED

NOTES: (UNLESS OTHERWISE SPECIFIED)

QTY	CTC PART NO.	NOMENCLATURE	VENDOR PART NO.	VENDOR	REF DES	ITEM
2200	USED ON	UNLESS OTHERWISE SPECIFIED ALL DIMENSIONS ARE IN INCHES AND INCLUDE APPLIED FINISH.				
		TOLERANCES				
		FRACTIONS ± ANGLES ±				
		X ± DECIMALS XX ± XXI ±				
		MATERIAL:				
		DRAWN: [Signature] DATE: 9-1-72				
		CHECKED: [Signature] DATE: 10-6-72				
		DESIGN ENGINEER: [Signature] DATE: 10-6-72				
		PROJECT ENGINEER: [Signature] DATE: 10-6-72				
		DRAWN: [Signature] DATE: 10-6-72				
		DRAWN: [Signature] DATE: 10-6-72				



PWA, 110V/220V POWER SUPPLY SWITCHING REGULATOR II

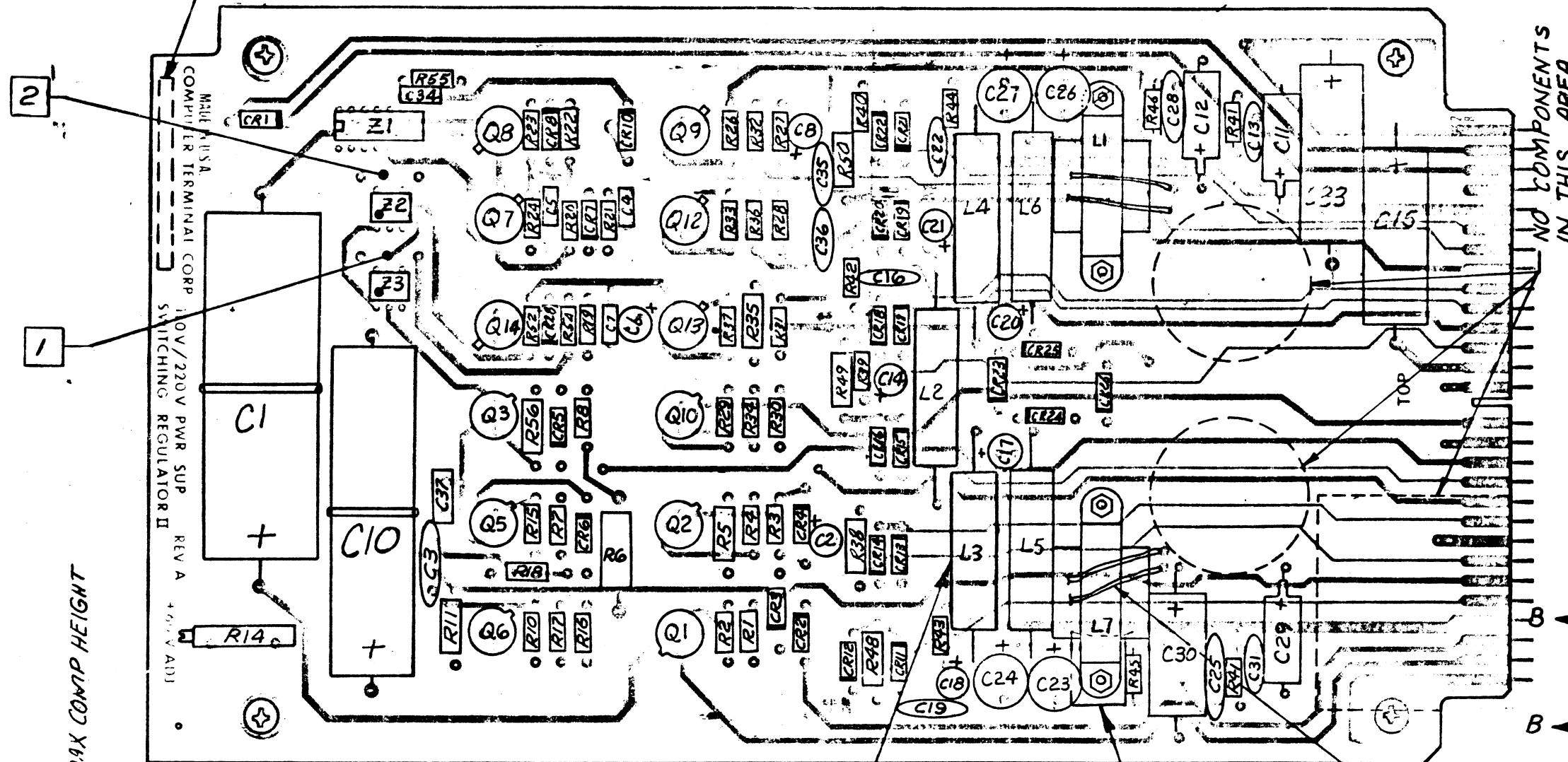
SIZE	DWG NO.	REV
C	03-1-03-0051	B

REV B 03-1-03-0051

REVISION TABLE				
ENGR TAB NO	MFG NO	ASSY REV	AW REV	ENGR APPVD
-801	90-10	B	A	77ph
-802	91-10	B	A	77ph

REV		
AW REV	LET	DESCRIP
A	A	INCOBP EO 3500 M REWORK AJW TO MIL S
A	B	INC EO 4352 C.

MARK "ASSY 03-1-03-0051-801 or -802 REV B"
 .12 HIGH CHARACTERS, COLOR BLACK, LOCATE APPROX
 AS SHOWN



NO COMPONENTS
 IN THIS AREA

MAX COMP HEIGHT

MADE IN U.S.A.
 COMPUTER TERMINAL CORP.
 NOV/220V PWR SUP
 SWITCHING REGULATOR II
 REV A
 400V ADJ

DATAPOINT CONFIDENTIAL INFORMATION

SLEEVING 95
 5 PLACES

82 INSULATOR
 (L1 & L2)

96 SLEEVING
 4 PLACES

TYP 4 PLACES

- 87 SCREW, 4-40x1/4
- 88 WASHER, LOCK NO. 4
- 5 PWB (REF)

WASHER LOCK, NO 4
 4 PLACES

INSULATOR 82

83 INSULATOR
 214-20

WASHER FLAT, NO 4
 4 PLACES

84 SHIELD
 193-20

.09 MAX LEAD LENGTH
 BELOW BOARD

- 801 (490-10) 110 V 3
- 802 (491-10) 220V 3

VIEW
 SC

4

3

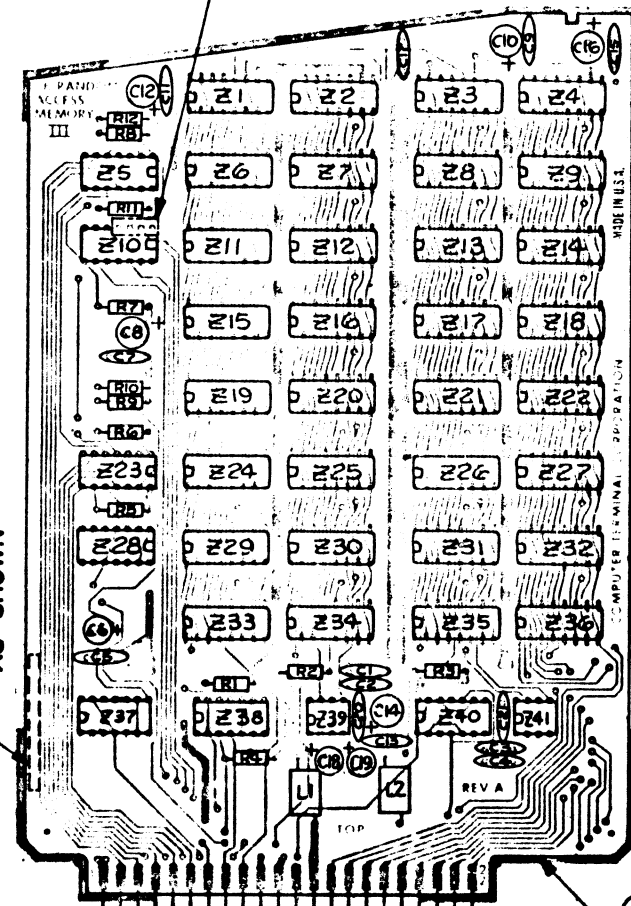
2

1

AW REV LTR	REVISIONS			
	LET	DESCRIPTION	DATE	APPROVED
A	A	ADD "00" PK 237 M VICKERS H-2072	10-20-72	[Signature]

MARK "ASSY 03-1-03-0052-801 REV A"
.12 HIGH CHARACTERS, COLOR BLACK, LOCATE APPROX
AS SHOWN

.04 MAX LEAD LENGTH
BELOW BOARD




4 PWB

-801

DATAPOINT CONFIDENTIAL INFORMATION

FOR PARTS LIST SEE PL03-1-03-0052

E0 52.63 OUTSTANDING

QTY	CTC PART NO.	NOMENCLATURE	VENDOR PART NO.	VENDOR	REF DES	ITEM
		PARTS LIST				
		UNLESS OTHERWISE SPECIFIED ALL DIMENSIONS ARE IN INCHES AND INCLUDE APPLIED FINISH.	DRAWN <i>M VICKERS</i>	DATE 10-20-72	 8725 DATAPoint DR. SAN ANTONIO, TEXAS 78229 512-606-4528	
		TOLERANCES FRACTIONS ± ANGLES ± X ± DECIMALS XXX ±	CHECKED <i>[Signature]</i>	DATE 10-30-72		
		MATERIAL:	DESIGN ENGINEER	DATE	PRINTED WIRING ASSY, 4K RANDOM ACCESS MEMORY III	
			<i>[Signature]</i>	2-12-73		
			PROJECT ENGINEER	DATE	SIZE	DWG NO.
			<i>[Signature]</i>		C	03-1-03-0052
					SCALE	REV
					1/1	A
					CTC P/N 504-10	SHEET 1 OF 1

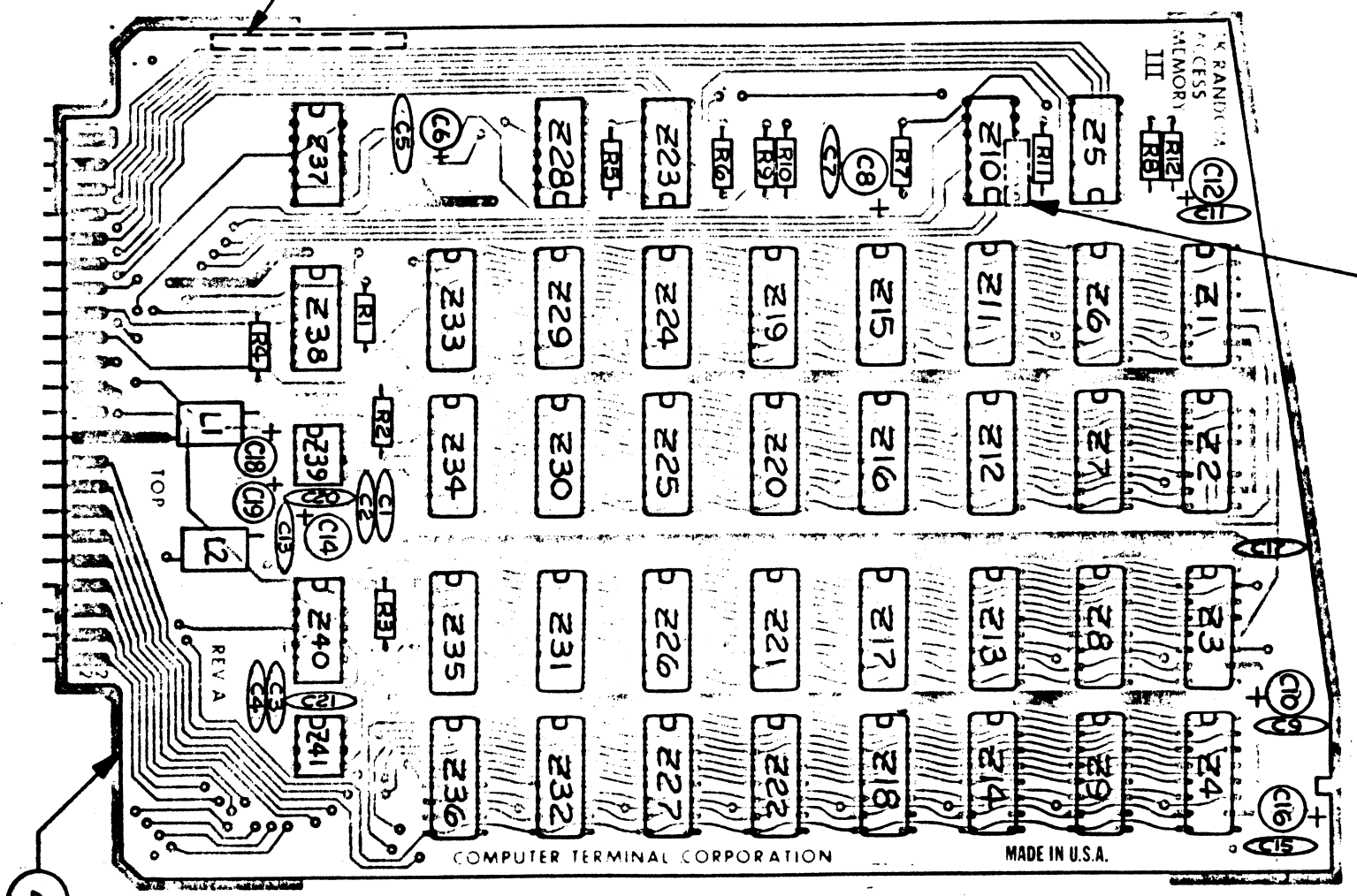
- 2. MAX COMPONENT HEIGHT ABOVE BOARD TO BE .41
- 1. MAX LEAD LENGTH BELOW BOARD TO BE .09

NOTES: (UNLESS OTHERWISE SPECIFIED)

03-1-03-0052 REV A

4
3
↓

MARK "ASSY 03-1-03-0052-801 REV A"
.12 HIGH CHARACTERS, COLOR BLACK, LOCATE APPROX
AS SHOWN



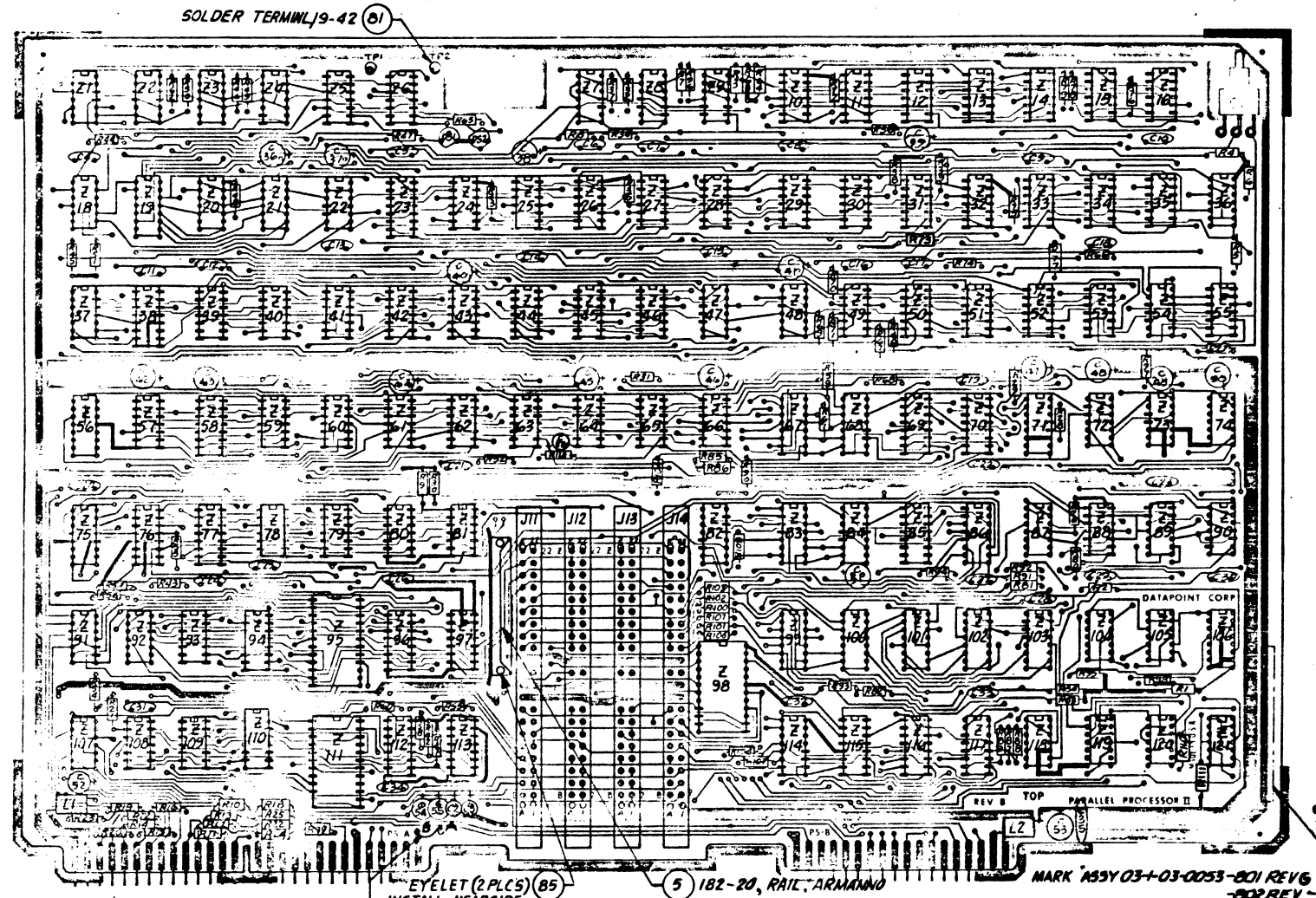
.04 MAX LEAD LENGTH
BELOW BOARD

DATAPOINT CONFIDENTIAL INFORMATION

-801

CT PART		QTY	
UNILE DIMET INC			
FRACTIC			
X - 4			
USED ON		2200	
ASSY			9-0001
MATERI/			

REVISION TABLE					REVISIONS					
ENGR NO	DATE	ASSY REV	A/W REV	ENG APPV	A/W NO	ZONE	LET	DESCRIPTION	DATE	APPROVED
					A		A	INC. EO 4467	Jan 19-26-73	
					B		B	INC. EO 2900	Jan 19-26-73	
-B01	507-10	6	B		B		C	INC. EO 4683	Jan 19-26-73	
-B02	563-10	-	B		B		D	INC. EO 5019	Jan 19-26-73	
					B		E	INC. EO 5028	Jan 19-26-73	
					B		F	INC. EO 5029	Jan 19-26-73	
					B		G	INC. EO 5058	Jan 19-26-73	

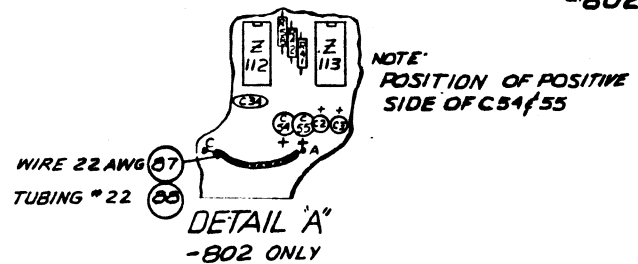


← .41 MAX. COMP. HEIGHT
← .09 MAX. LEAD LENGTH

DATAPOINT CONFIDENTIAL INFORMATION

FOR PARTS LIST SEE PL-03-1-03-0053

-801 INSTALL JUMPER FROM "A" TO "B" AS SHOWN
-802 INSTALL JUMPER FROM "A" TO "C" SEE DETAIL "A"



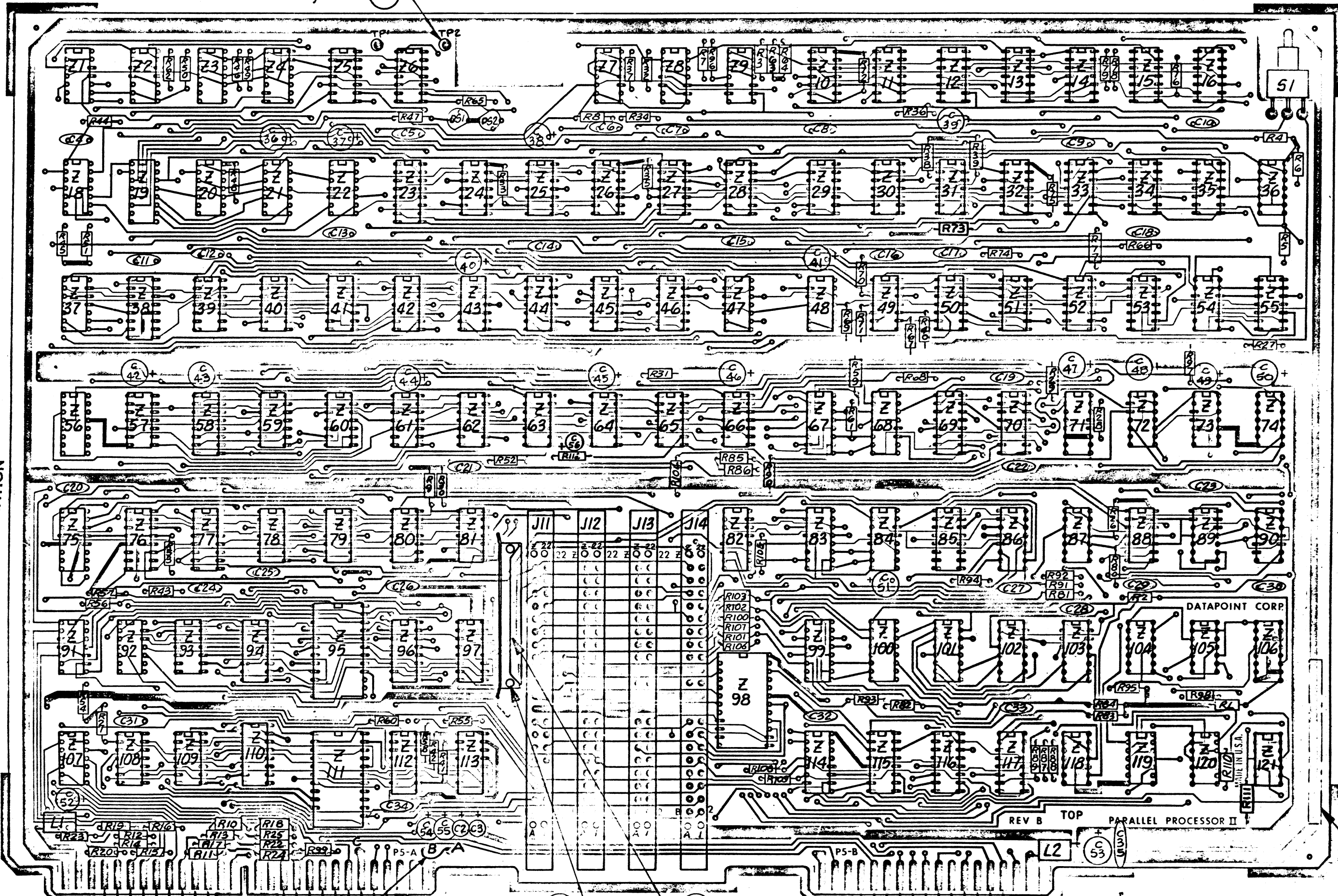
NOTES: (UNLESS OTHERWISE SPECIFIED)

QTY	CTC PART NO.	NOMENCLATURE	VENDOR PART NO.	VENDOR	REF DES	ITEM
PARTS LIST						
2200 2200 2200	UNLESS OTHERWISE SPECIFIED ALL DIMENSIONS ARE IN INCHES AND INCLUDE APPLIED FINISH	DRAWN	DATE	COMPUTER TERMINAL CORPORATION 8725 DATAPoint DR. SAN ANTONIO, TEXAS 78229 512-998-6539		
		TOLERANCES	DATE			
1001 1001 1001	FRACTIONS ±	CHECKED	DATE	PRINTED WIRING ASSY, PARALLEL PROCESSOR II		
		DESIGN ENGINEER	DATE			
1001 1001 1001	DECIMALS ±	PROJECT ENGINEER	DATE	SIZE	DWG NO.	REV.
		ANGLES ±		D	03-1-03-0053	G
	± .1			SCALE	OPT. P/N	SHEET 1 OF 1
	± .05				802 P/N 563-10	

03-1-03-0053 G

SOLDER TERMINAL 9-42 (81)

DATAPOINT CONFIDENTIAL INFORMATION



EYELET (2 PLCS) (85)
INSTALL NEAR SIDE

5 182-20, RAIL, ARMANNO

MARK ASSY 03-1-03-0053-801 REV G
-802 REV -

REV B TOP PARALLEL PROCESSOR II

DATAPOINT CORP.

MADE IN U.S.A.